



US00D919062S

(12) **United States Design Patent** (10) **Patent No.:** **US D919,062 S**
Dufermont (45) **Date of Patent:** **** May 11, 2021**

(54) **SHOWER CUBICLE**
 (71) Applicant: **Philippe Dufermont**, Liria (ES)
 (72) Inventor: **Philippe Dufermont**, Valencia (ES)
 (**) Term: **15 Years**
 (21) Appl. No.: **35/508,849**

D495,788 S *	9/2004	Helmetsie	D23/283
D498,829 S *	11/2004	Helmetsie	D23/283
D560,769 S *	1/2008	Breymaier	D23/283
D621,010 S *	8/2010	Hoernig	D23/283
D629,088 S *	12/2010	Yoo	D23/305
D665,891 S *	8/2012	Reedy	D23/283
D666,703 S *	9/2012	Reedy	D23/283
D752,724 S *	3/2016	Coats	D23/283
D865,922 S *	11/2019	Dufermont	D23/283

(22) Filed: **Dec. 18, 2019**
 (80) **Hague Agreement Data**
 Int. Filing Date: **Dec. 18, 2019**
 Int. Reg. No.: **DM/206442**
 Int. Reg. Date: **Dec. 18, 2019**
 Int. Reg. Pub. Date: **Mar. 20, 2020**

FOREIGN PATENT DOCUMENTS

DE	29605479	U1	7/1996
EP	0655216	A1	5/1995
ES	2309556	T3	12/2008
WO	88/01843	A1	3/1988

* cited by examiner

Primary Examiner — Natasha Vujcic

(51) **LOC (13) Cl.** **23-02**
 (52) **U.S. Cl.**
 USPC **D23/283**

(57) **CLAIM**

The ornamental design for a shower cubicle, as shown and described.

(58) **Field of Classification Search**
 USPC D23/275, 283, 303, 304, 305, 315, 316
 CPC A61K 2300/00; A61K 31/716; A61K 8/37;
 A61K 8/466; A61K 8/33; A61K 8/347;
 A61K 8/35; A61K 8/361; A61K 8/42;
 A61K 8/602; A61K 8/06; A61K 8/19;
 A61K 8/34; A61K 8/345; A61K 8/375;
 A61K 8/41; A61K 8/442; A61K 8/463;
 A61K 8/4926; A61K 8/494; A61K
 8/4946; A61K 8/498; A61K 8/731; A61K
 8/891; A61K 8/97; A61K 33/06; A61K
 33/08; A61K 33/24; A61K 33/26; A61K
 33/30; A61K 33/34

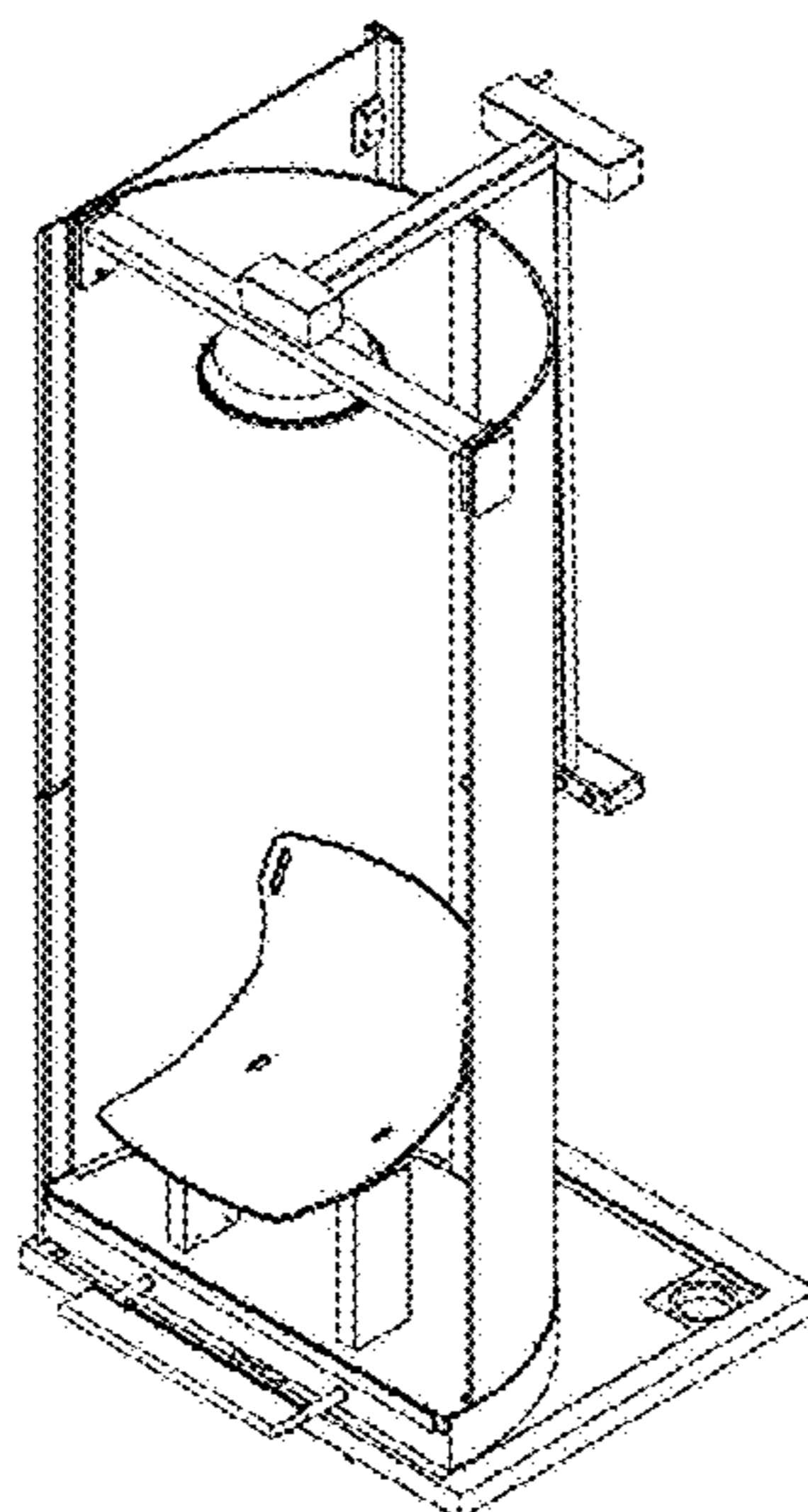
DESCRIPTION

1. Shower cubicle
1.1 : Front view of cubicle
1.2 : Right side view of cubicle
1.3 : Left side view of cubicle
1.4 : Upper level view of cubicle
1.5 : Lower perspective view of cubicle
1.6 : Front perspective view of cubicle
1.7 : Rear perspective view of cubicle
 Shower cubicle with rotating cylinder for transporting users with reduced mobility to the cubicle, whose cylinder occupies the front of the cubicle, accessing it through a double-leaf side door; the cylinder is mounted on a lower axle anchored to the floor that crosses the shower tray and its base, which forms a cavity to house transmission elements, to allow the rotation of the cylinder on the lower axle and upper axle, fixed to a profile for the passage of a water pipe that crosses the upper axle to reach the shower head.

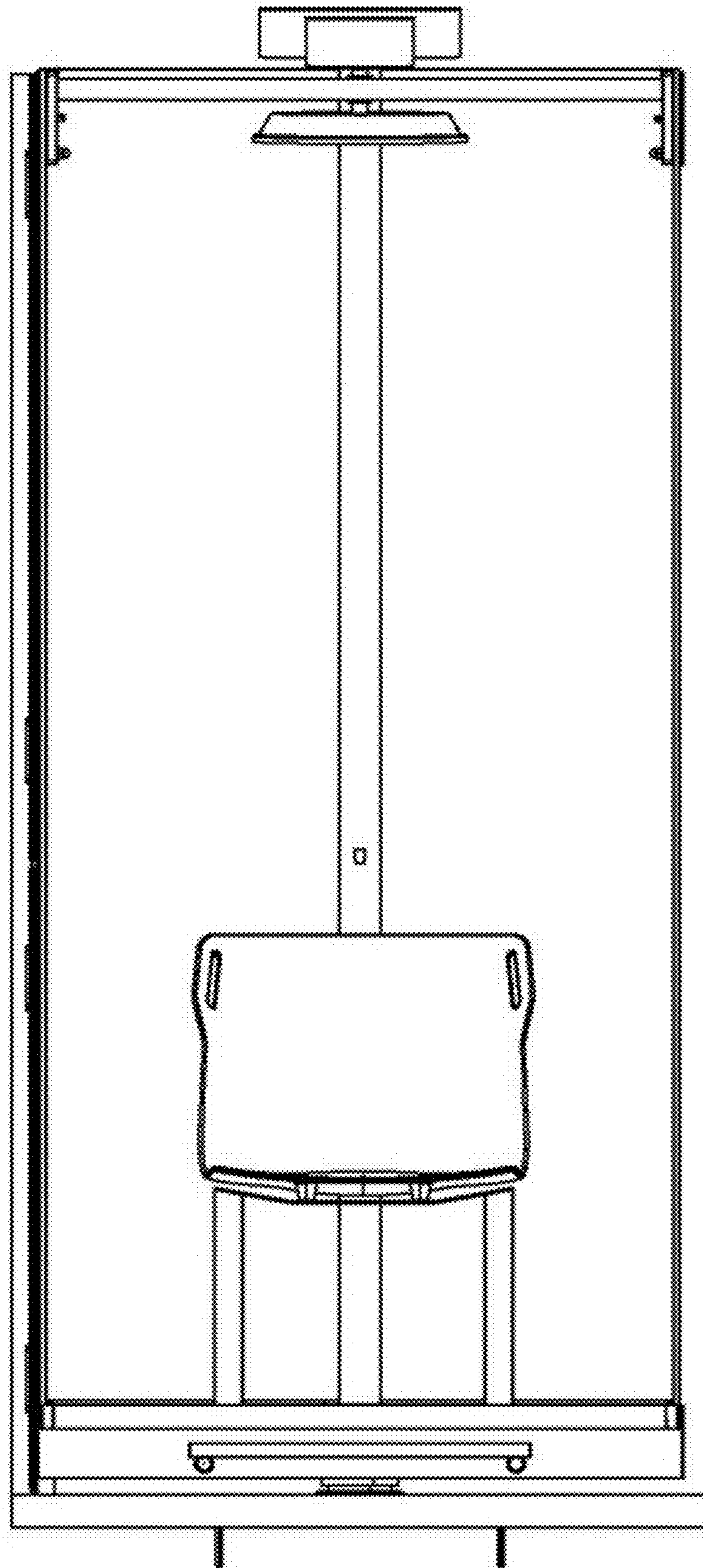
(56) **References Cited**
 U.S. PATENT DOCUMENTS

D380,528 S *	7/1997	D'Andrea	D23/283
D385,019 S *	10/1997	Sadler	D23/283
D405,517 S *	2/1999	Eeckhoudt	D23/283
D482,104 S *	11/2003	Funk	D23/283

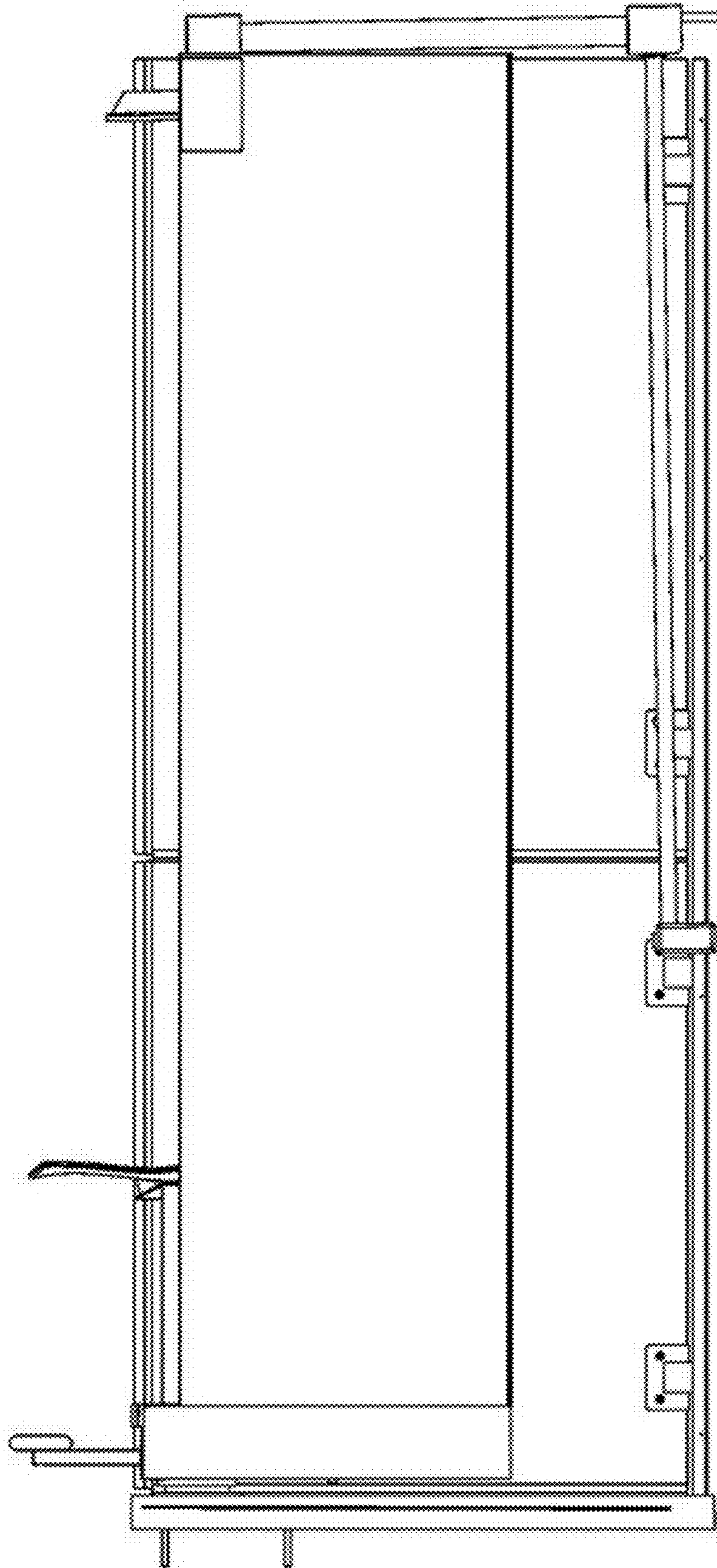
1 Claim, 7 Drawing Sheets



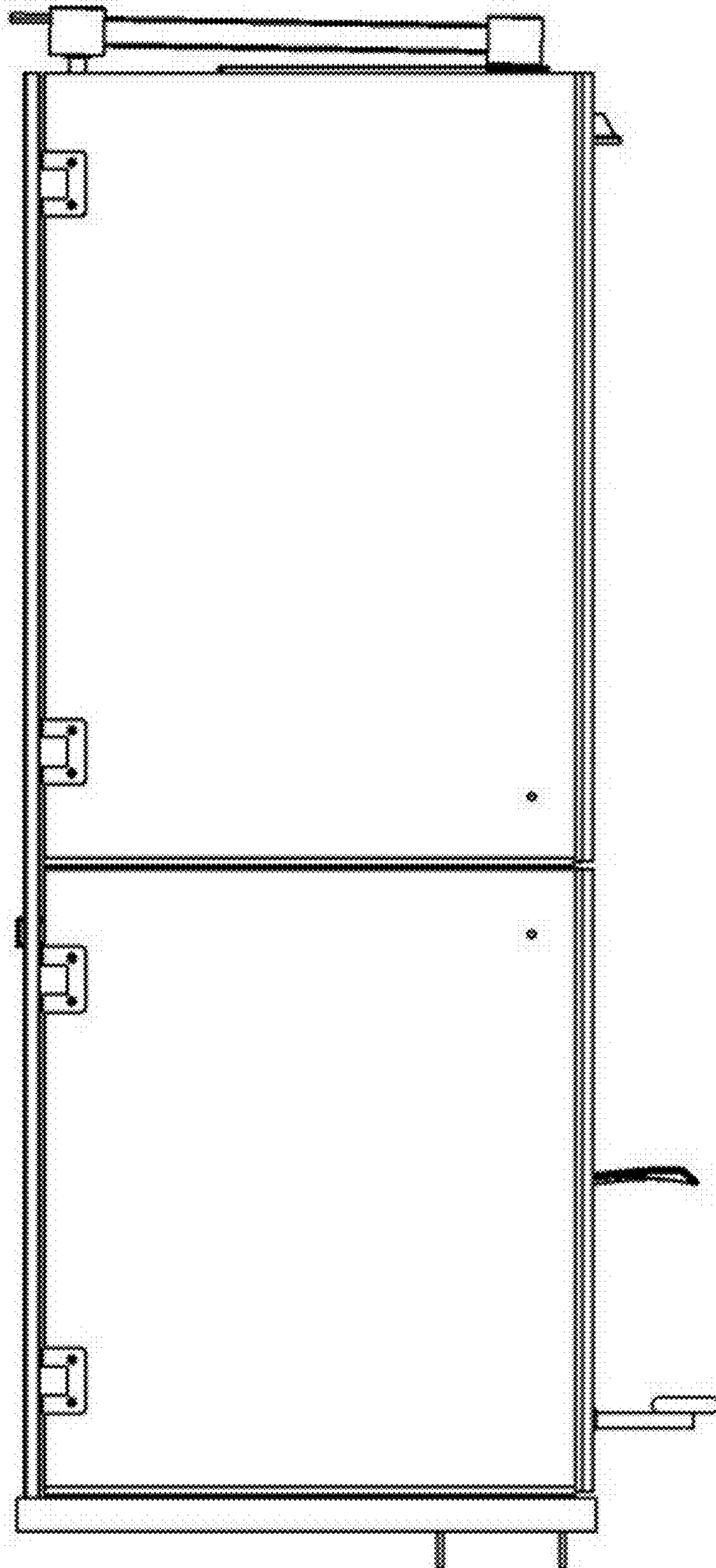
1.1



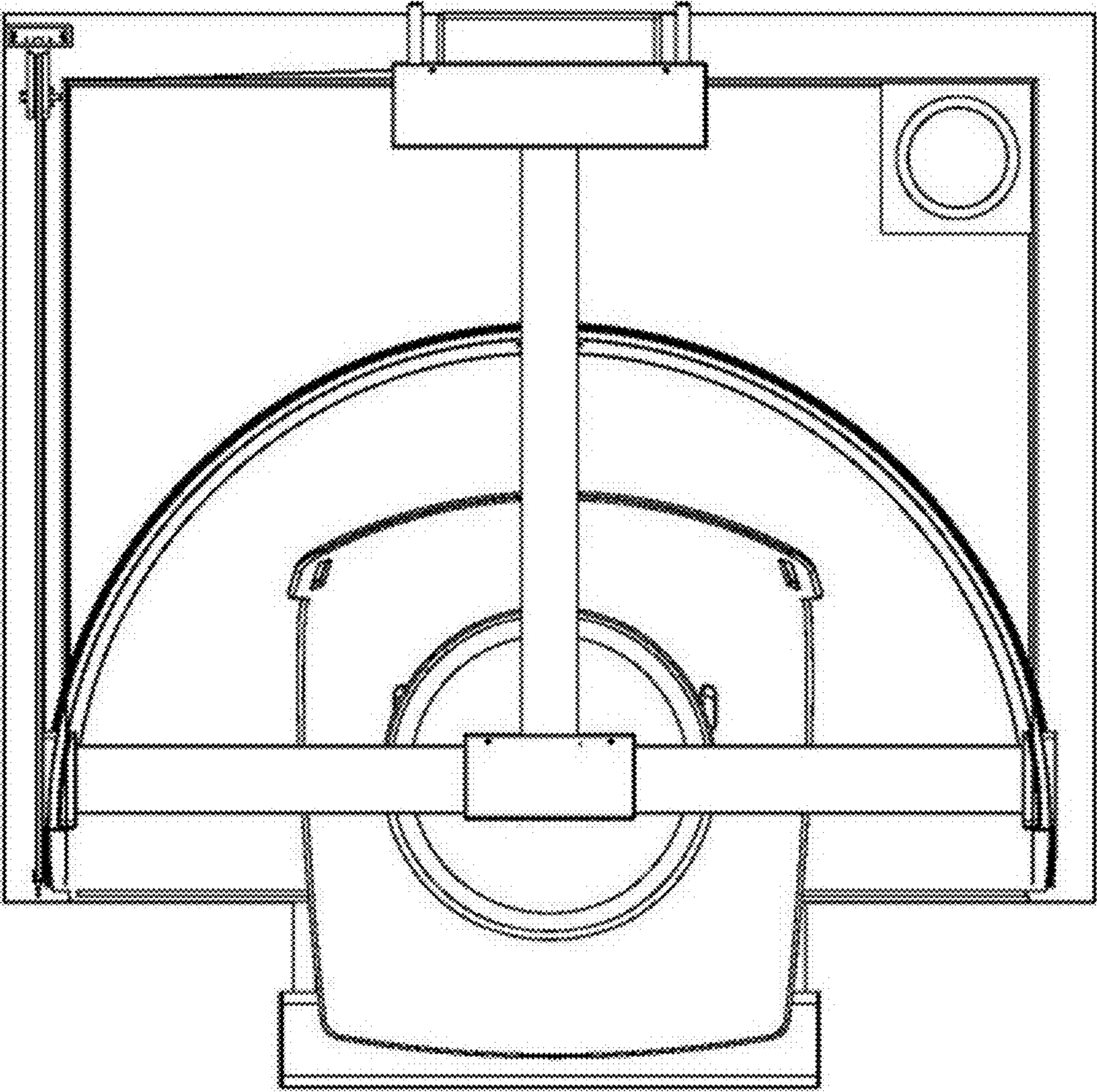
1.2



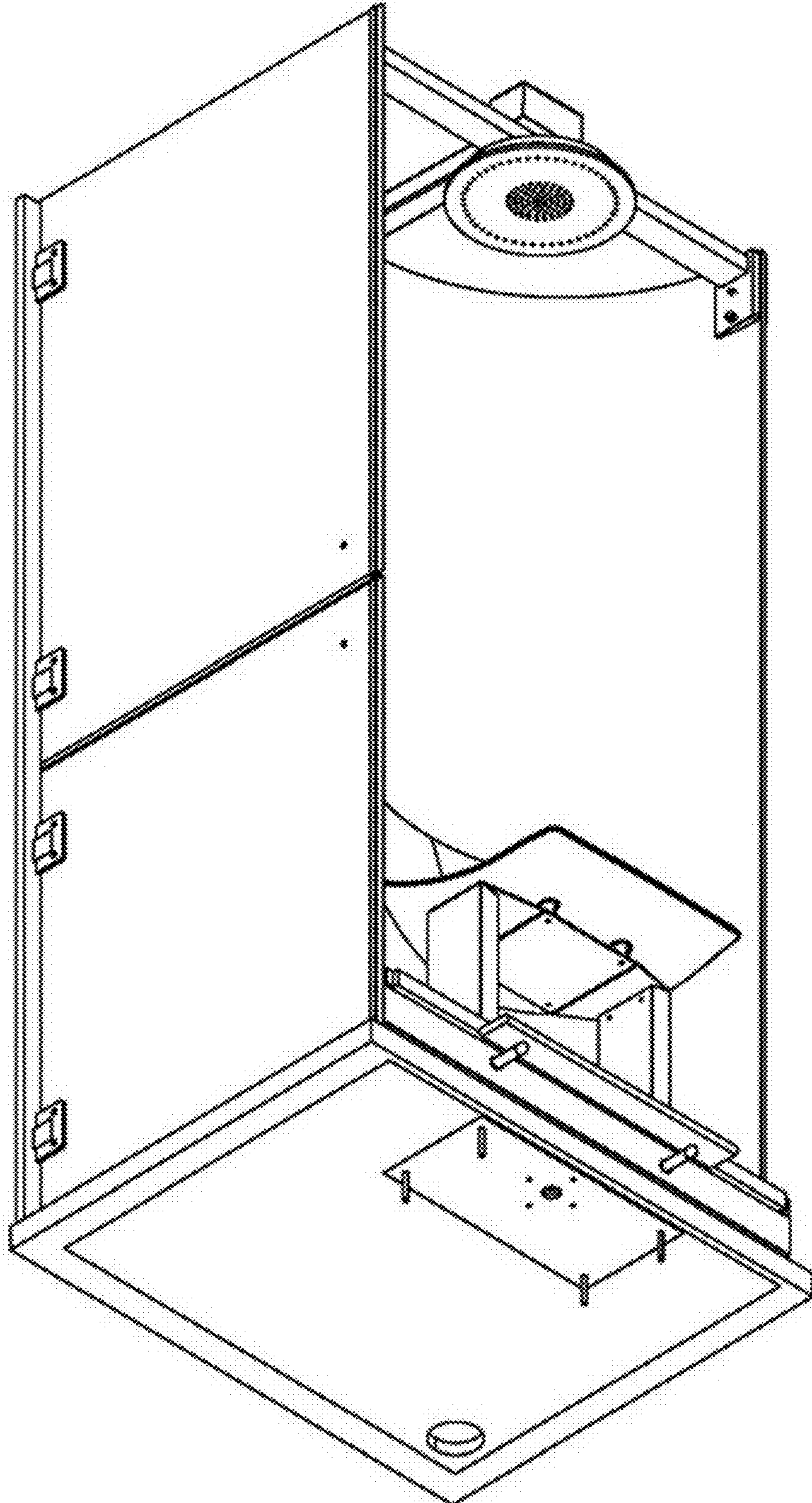
1.3



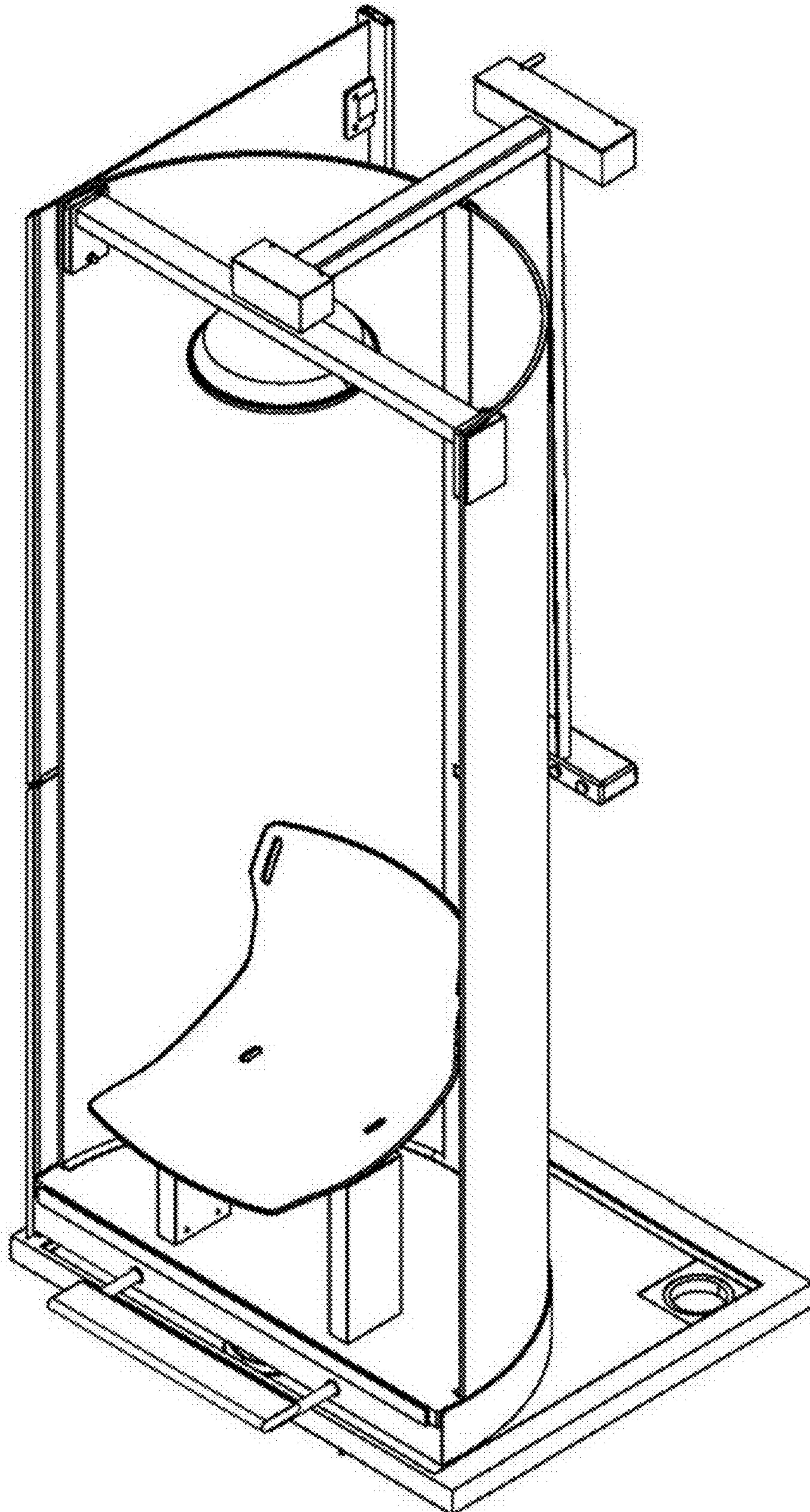
1.4



1.5



1.6



1.7

