



US00D919061S

(12) **United States Design Patent** (10) **Patent No.:** **US D919,061 S**
Feng (45) **Date of Patent:** **** May 11, 2021**

(54) **GARDEN TELESCOPIC HOSE**

FOREIGN PATENT DOCUMENTS

(71) Applicant: **Wenjin Feng**, Yangjiang (CN)

CN 305597707 * 7/2020

(72) Inventor: **Wenjin Feng**, Yangjiang (CN)

OTHER PUBLICATIONS

(**) Term: **15 Years**

Sunflora 50 ft Expandable Garden Hose Bonus 10 ft w Solid Brass Fittings & 9 Patterns Spray Nozzle, Flexible No Kink Water Hoses for Lawn Total 60 feet; Amazon Review Date Oct. 21, 2018; Visited Online Nov. 2, 2020; <https://www.amazon.com/Sunflora-Expandable-Fittings-Patterns-Flexible/dp/B07G71N5QG?th=1> (Year: 2018).*

(21) Appl. No.: **29/743,959**

(22) Filed: **Jul. 25, 2020**

(51) **LOC (13) Cl.** **23-01**

(52) **U.S. Cl.**
USPC **D23/266**

(58) **Field of Classification Search**
USPC D23/259-266
CPC F16L 35/00
See application file for complete search history.

Primary Examiner — Amy C Wierenga

(57) **CLAIM**

The ornamental design for a garden telescopic hose, as shown and described.

(56) **References Cited**

U.S. PATENT DOCUMENTS

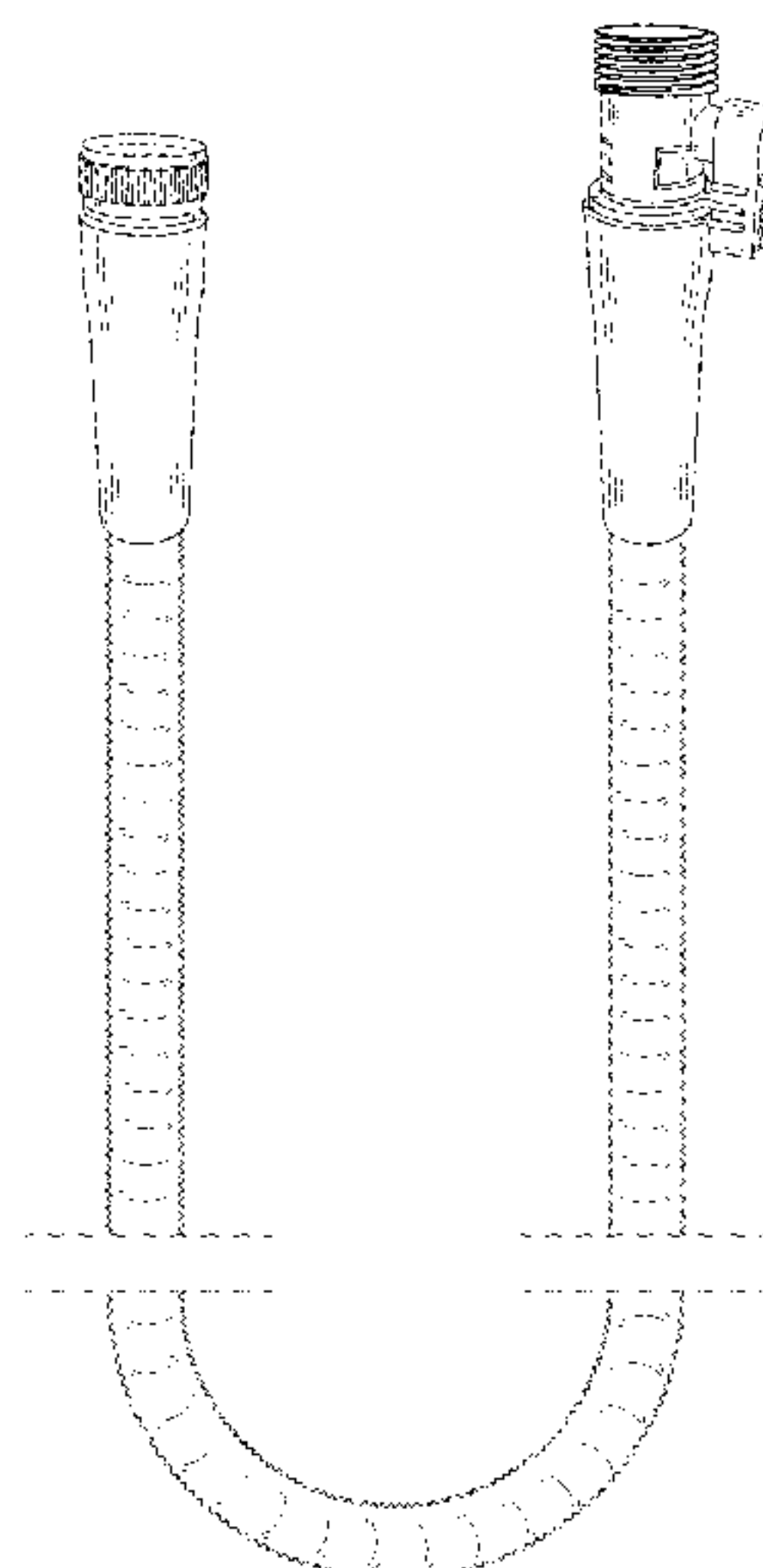
4,805,933	A *	2/1989	Swisher	F16L 33/22
					285/115
D323,207	S *	1/1992	Cole	D23/266
D469,520	S *	1/2003	McLean	D23/266
D586,435	S *	2/2009	Reckseen	D23/266
8,291,942	B2 *	10/2012	Berardi	F16L 11/20
					138/118
8,757,213	B2	6/2014	Berardi		
D724,186	S	3/2015	Berardi		
D731,032	S	6/2015	Yang		
D748,764	S	2/2016	Berardi		
D797,905	S	9/2017	Mirchandani		
9,841,127	B2	12/2017	Berardi		
D832,984	S *	11/2018	Khubani	D23/262
D833,585	S *	11/2018	Khubani	D23/262
D834,154	S *	11/2018	Khubani	D23/262
D835,244	S *	12/2018	Khubani	D23/262
10,174,870	B2 *	1/2019	Berardi	F16L 11/00
D888,205	S	6/2020	Fang		
2012/0234425	A1 *	9/2012	Berardi	F16L 11/10
					138/137
2016/0195202	A1 *	7/2016	Disbrow	F16L 11/20
					138/119
2016/0319964	A1 *	11/2016	Sung	F16L 11/02

(Continued)

DESCRIPTION

FIG. 1 is a perspective view of a garden telescopic hose showing my new design;
FIG. 2 is a front elevational view thereof;
FIG. 3 is a rear elevational view thereof;
FIG. 4 is a left side elevational view thereof;
FIG. 5 is a right side elevational view thereof;
FIG. 6 is a top plan view thereof;
FIG. 7 is a bottom plan view thereof; and,
FIG. 8 is another perspective view in stretched condition thereof.
The garden telescopic hose is shown with a symbolic break in its length in FIGS. 1-5 and 8. The appearance of any portion of the article between the break lines forms no part of the claim.
The broken lines throughout the drawing figures depict portions of the Garden telescopic hose that form no part of the claimed design.

1 Claim, 8 Drawing Sheets



(56)

References Cited

U.S. PATENT DOCUMENTS

2017/0363230 A1* 12/2017 Lord F16L 21/06
2018/0045340 A1* 2/2018 Berardi F16L 11/04

* cited by examiner

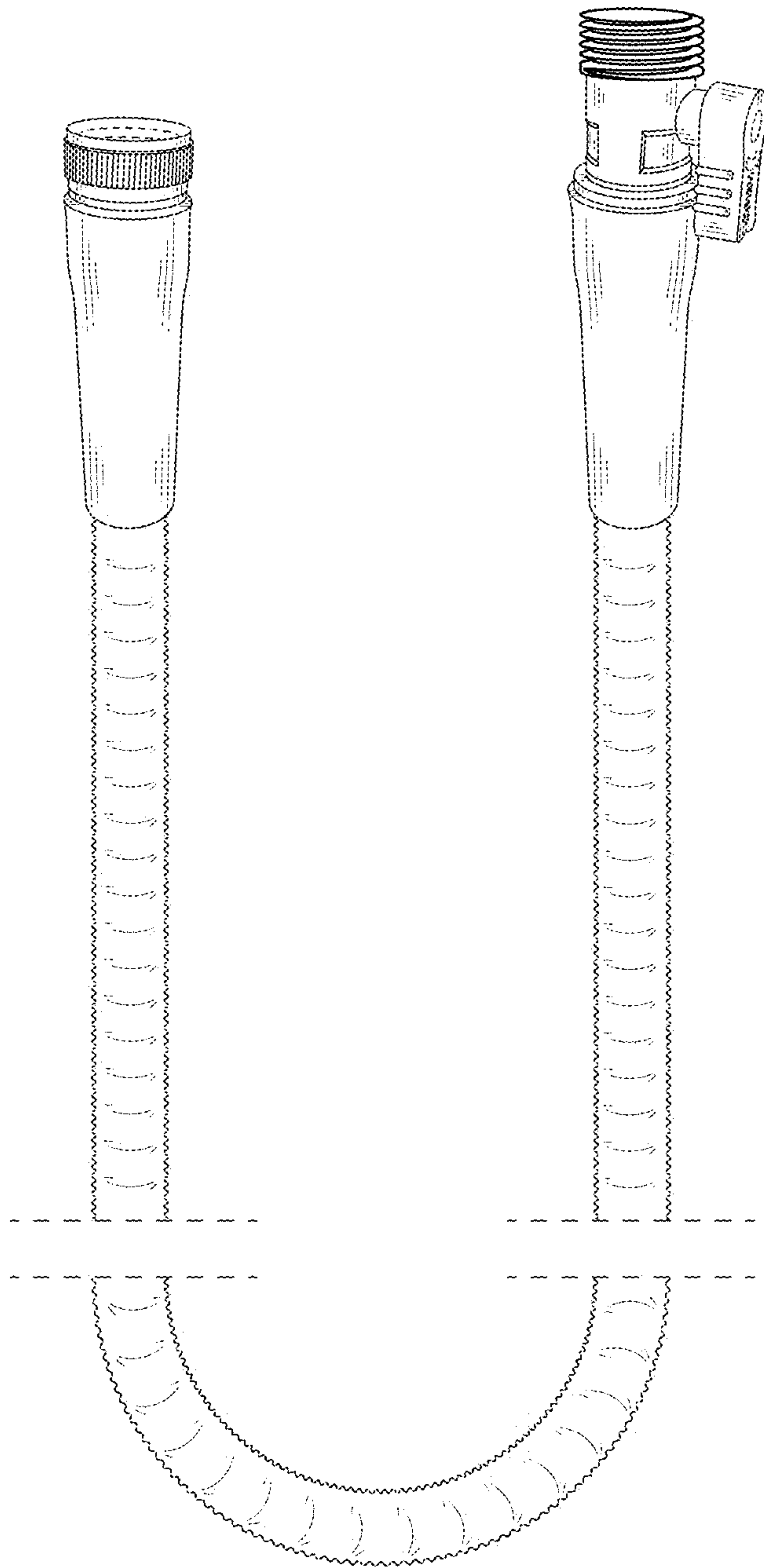


FIG.1

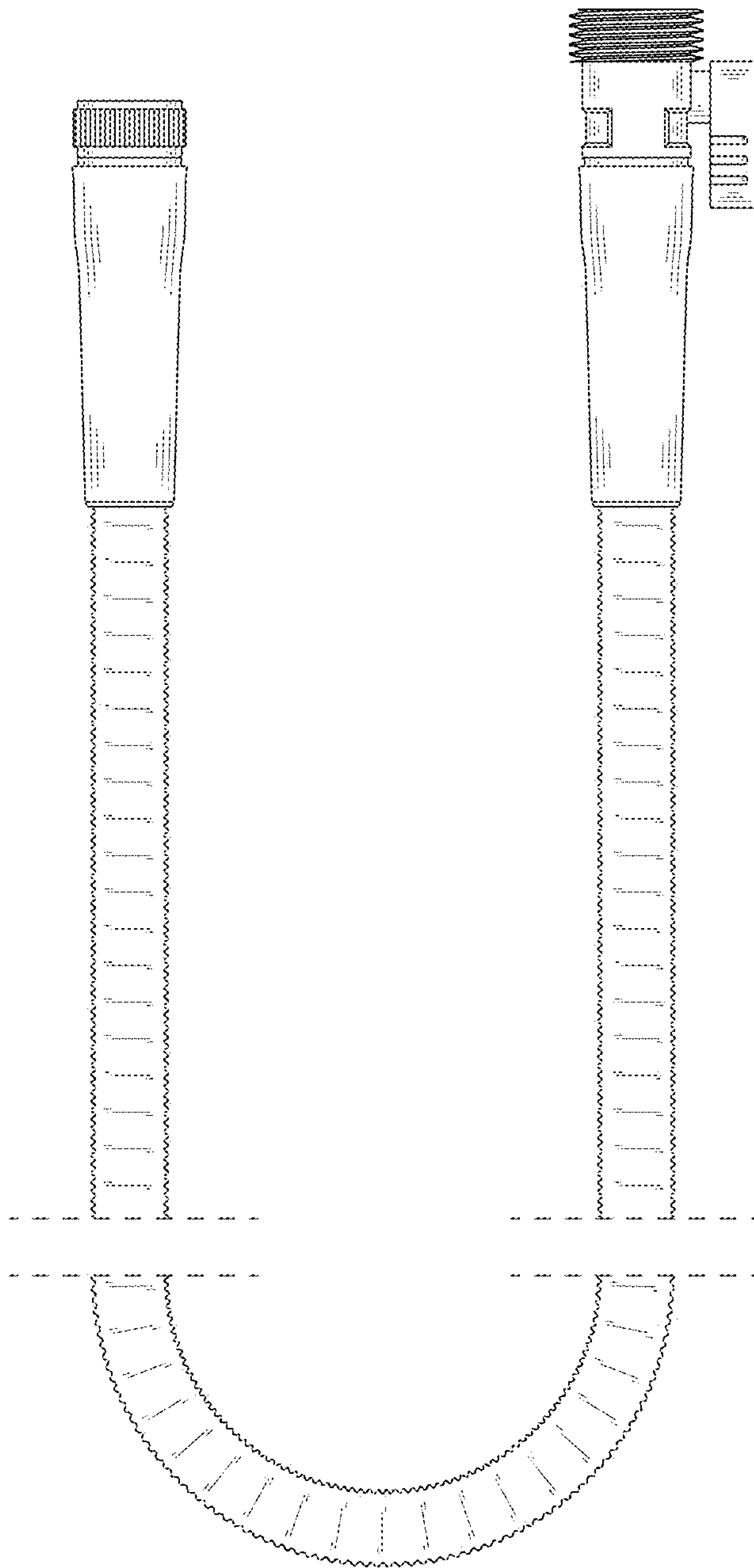


FIG.2

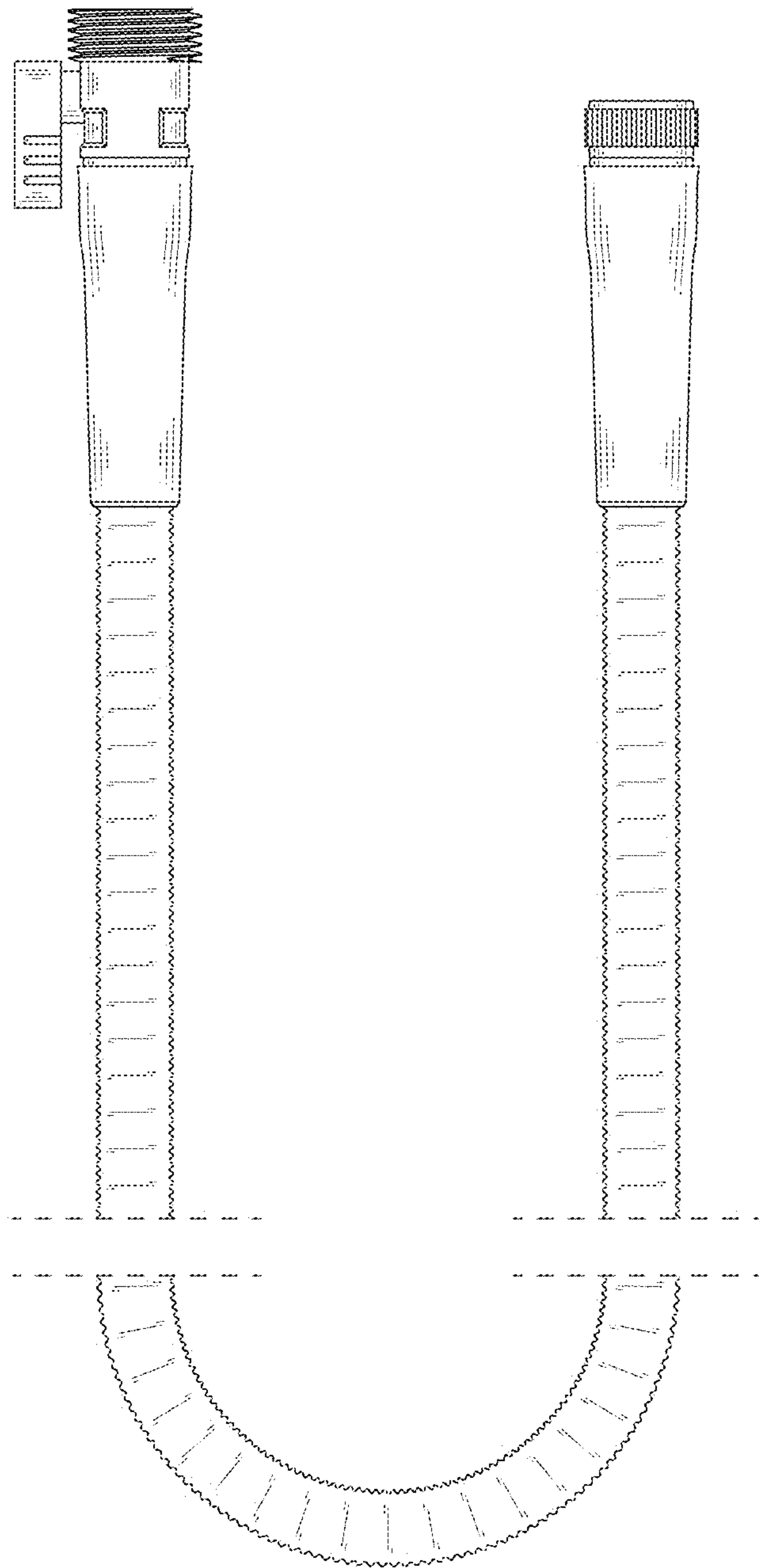


FIG.3

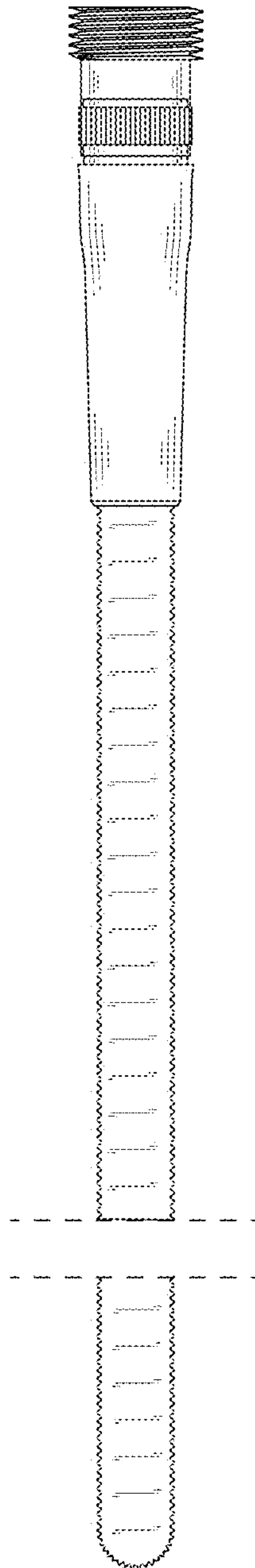


FIG.4

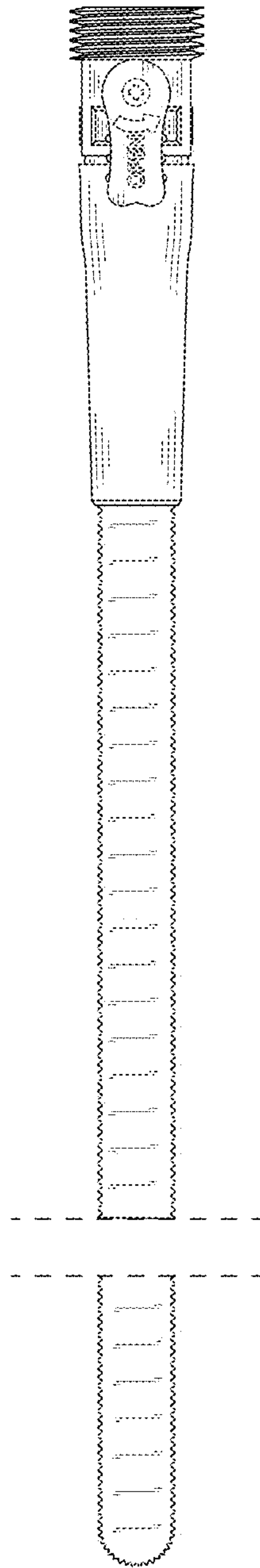


FIG.5

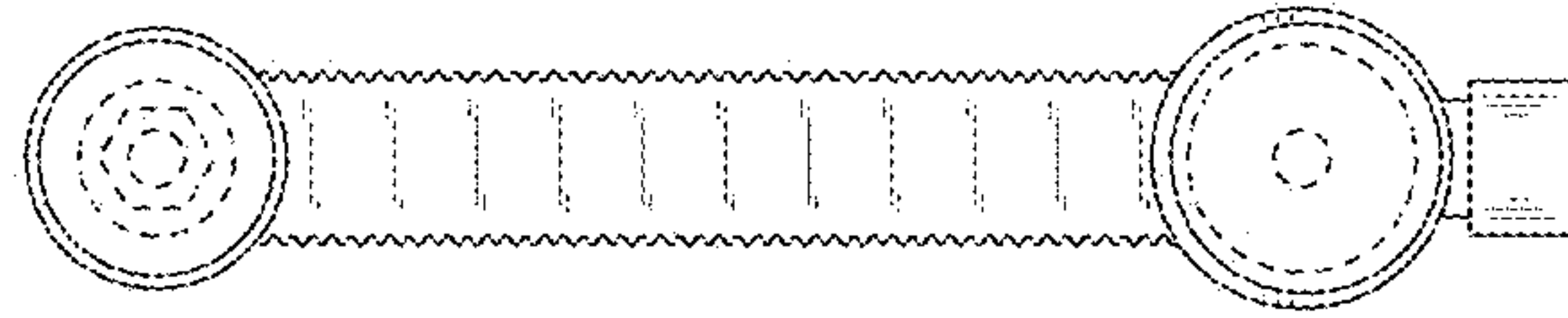


FIG.6

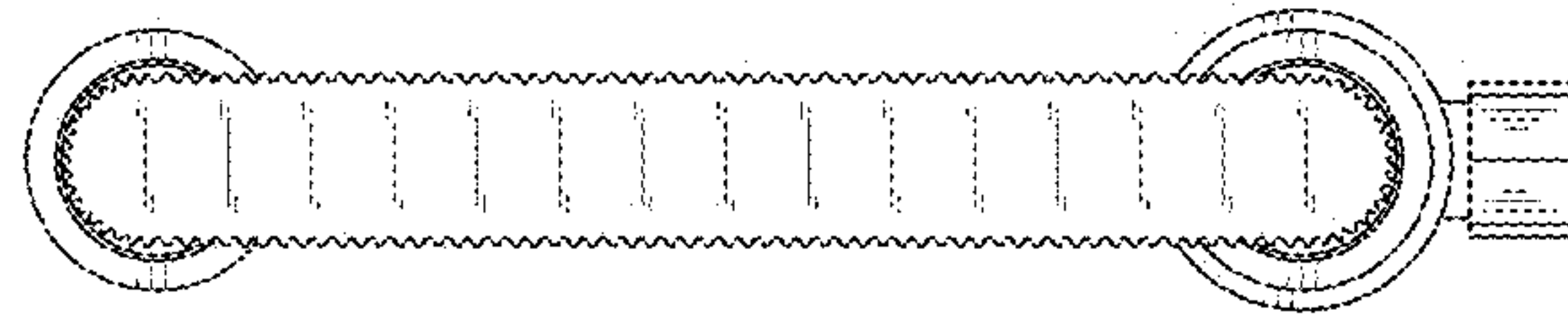


FIG.7

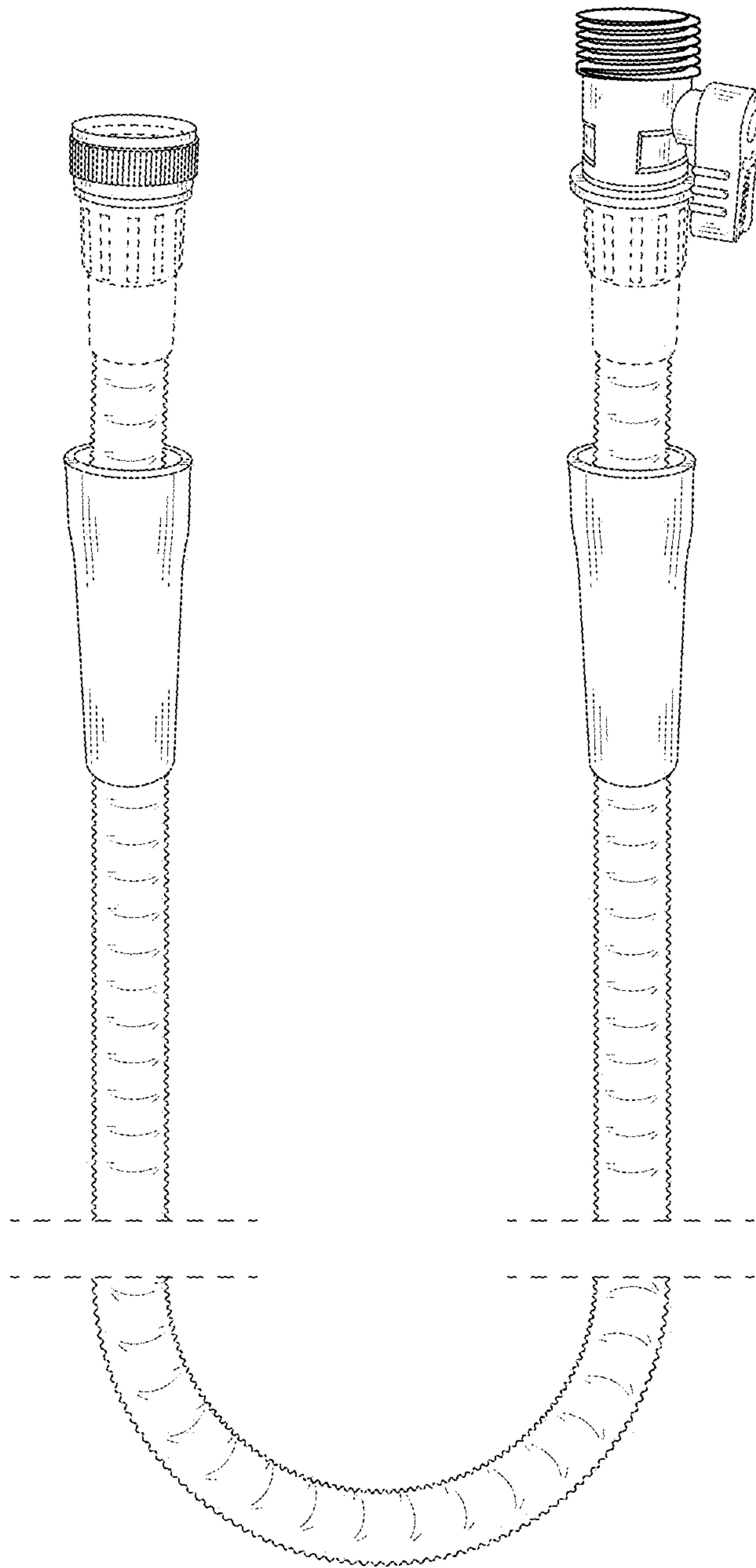


FIG. 8