



US00D919060S

(12) **United States Design Patent**
Fife

(10) **Patent No.:** **US D919,060 S**

(45) **Date of Patent:** **** May 11, 2021**

(54) **RV TOILET VALVE**

(71) Applicant: **Taylor Fife**, Santa Cruz, CA (US)

(72) Inventor: **Taylor Fife**, Santa Cruz, CA (US)

(**) Term: **15 Years**

(21) Appl. No.: **29/673,482**

(22) Filed: **Dec. 14, 2018**

(51) **LOC (13) Cl.** **23-01**

(52) **U.S. Cl.**
USPC **D23/262**

(58) **Field of Classification Search**
USPC D23/233-237, 241-250, 259, 260, 262,
D23/266

CPC .. E03D 1/32; E03D 1/34; E03D 1/306; E03D
1/35; E03D 1/00; E03D 11/00; E03D
1/142; E03D 1/144; E03D 5/092; E03D
1/145; E03D 3/00; E03D 3/12; E03D
5/02; E03D 5/024

See application file for complete search history.

(56) **References Cited**

U.S. PATENT DOCUMENTS

D561,303 S * 2/2008 Brockington D23/262
D602,565 S * 10/2009 Nimberger D23/233

D602,566 S * 10/2009 Nimberger D23/233
D845,448 S * 4/2019 Tanghetti D23/262
D851,738 S * 6/2019 Ghorbani D23/259
D873,977 S * 1/2020 Vaz D23/262
D894,345 S * 8/2020 Cain D23/259

* cited by examiner

Primary Examiner — Gino Colan

(74) *Attorney, Agent, or Firm* — Richard Eldredge;
Leavitt Eldredge Law Firm

(57) **CLAIM**

The ornamental design for a RV toilet valve, as shown and described.

DESCRIPTION

FIG. 1 is a perspective view of a RV toilet valve showing my new design.

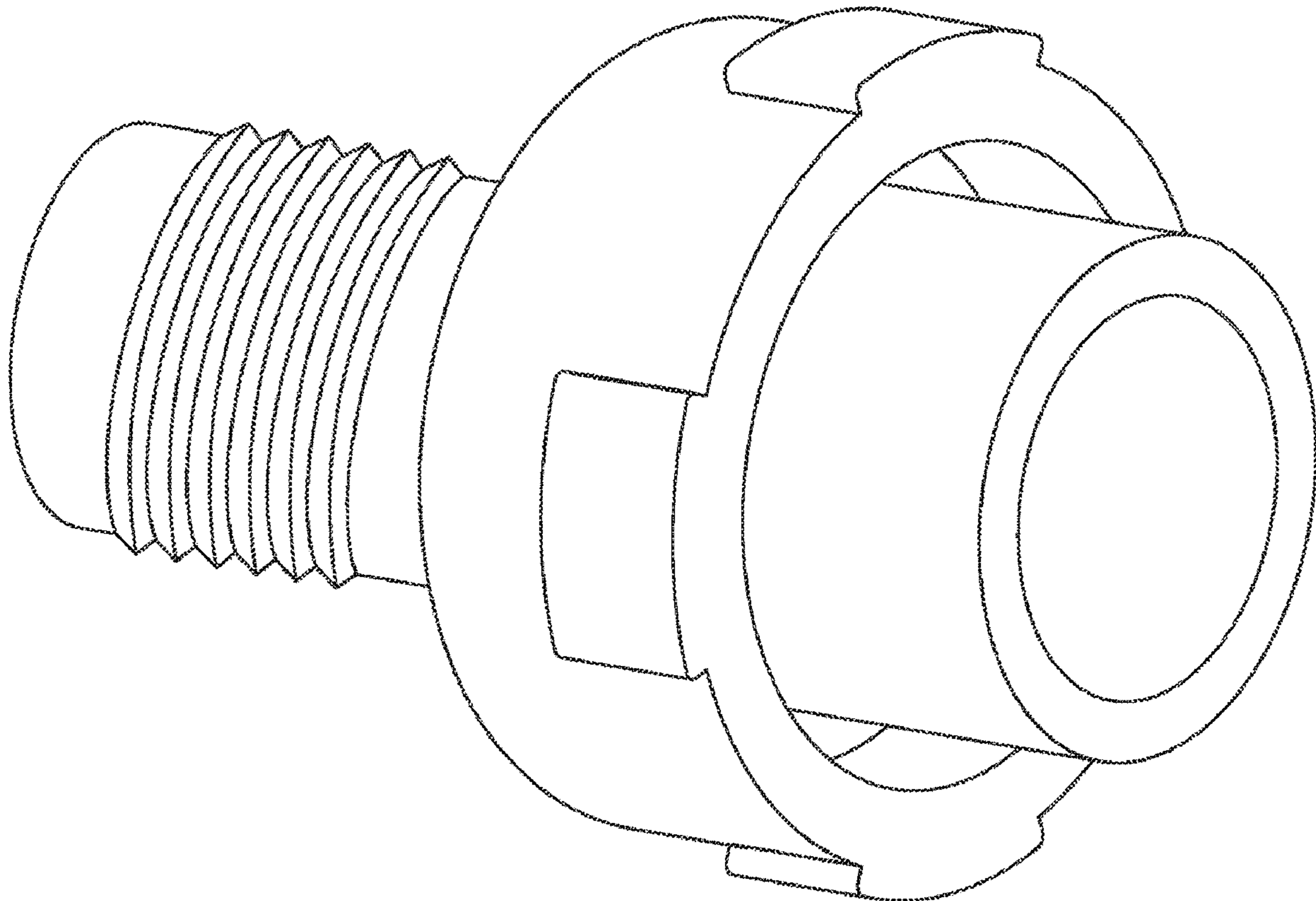
FIG. 2 is a front view of the RV toilet valve.

FIG. 3 is a top view of the RV toilet valve; and,

FIG. 4 is a bottom view of the RV toilet valve.

The broken lines shown in the figures are for the purpose of illustrating portions of the RV toilet valve and form no part of the claimed design.

1 Claim, 3 Drawing Sheets



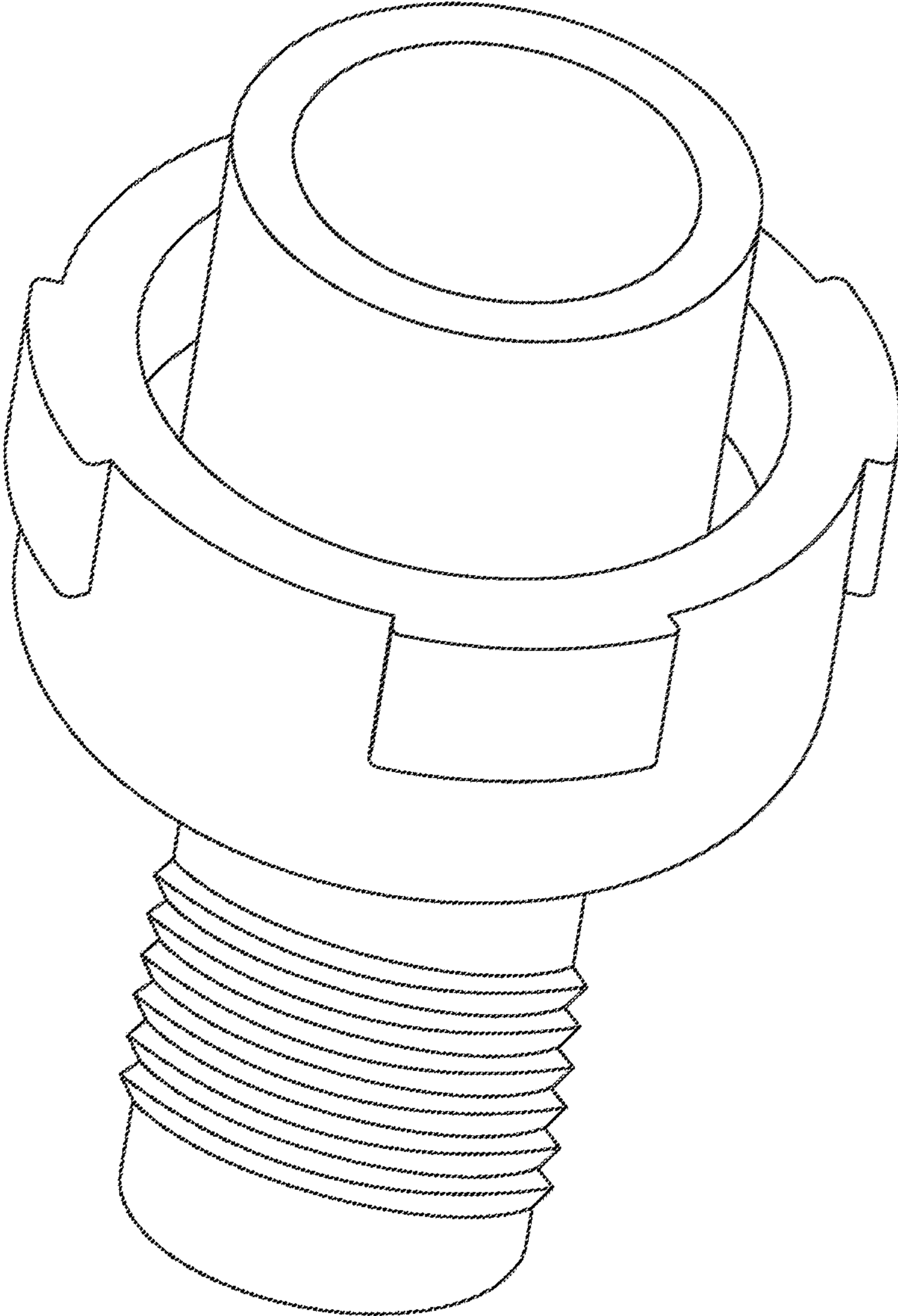


FIG. 1

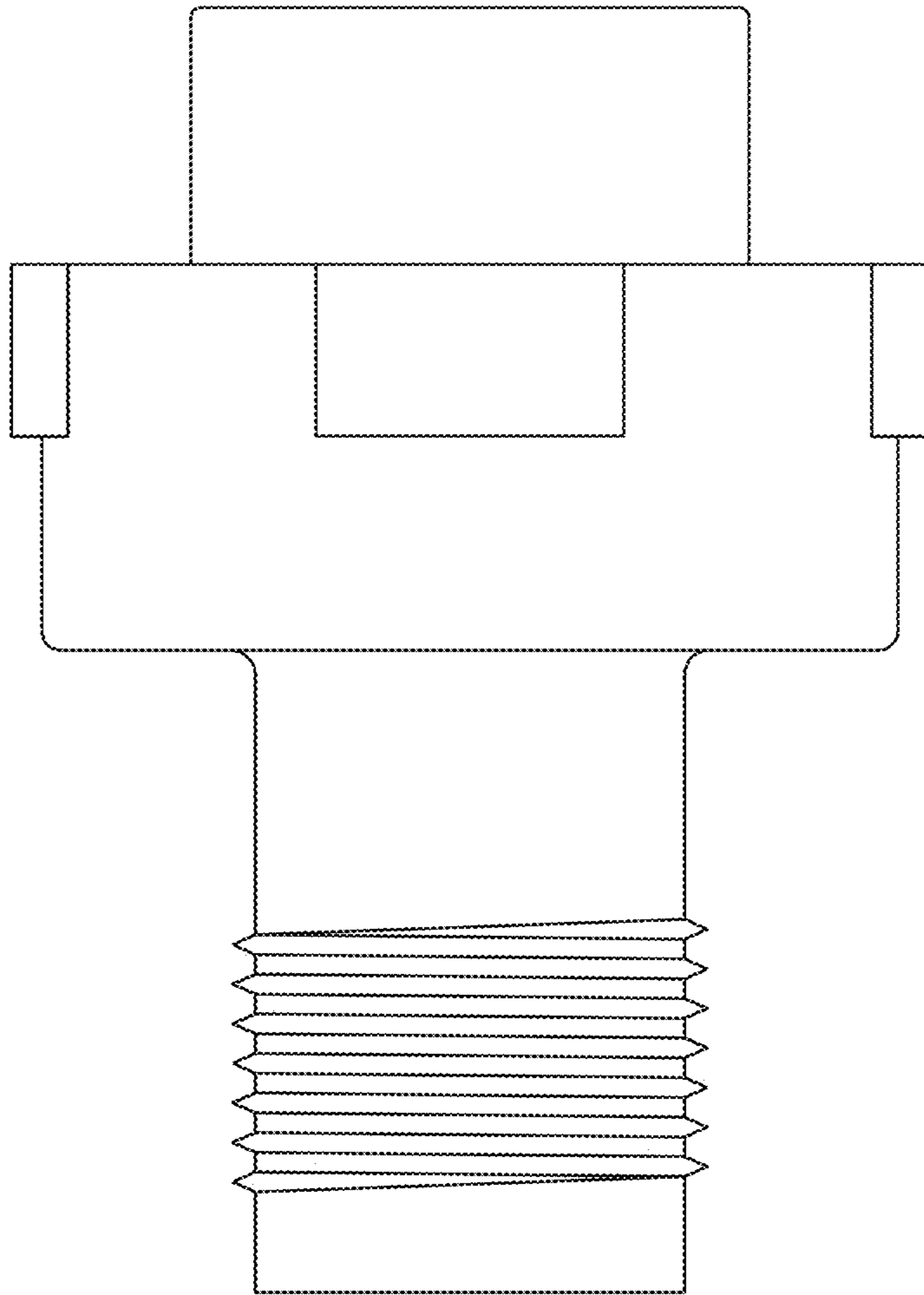


FIG. 2

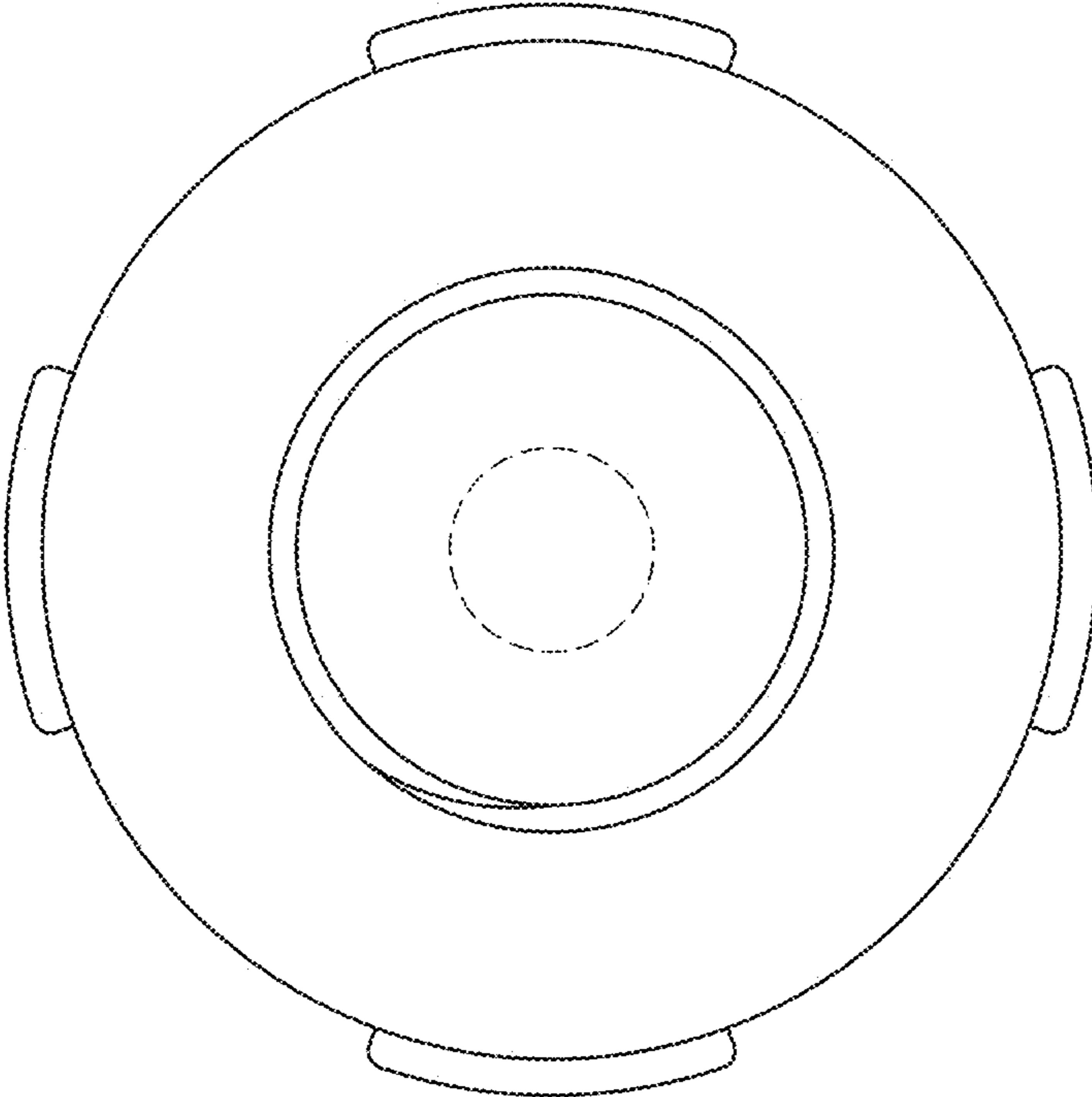


FIG. 3

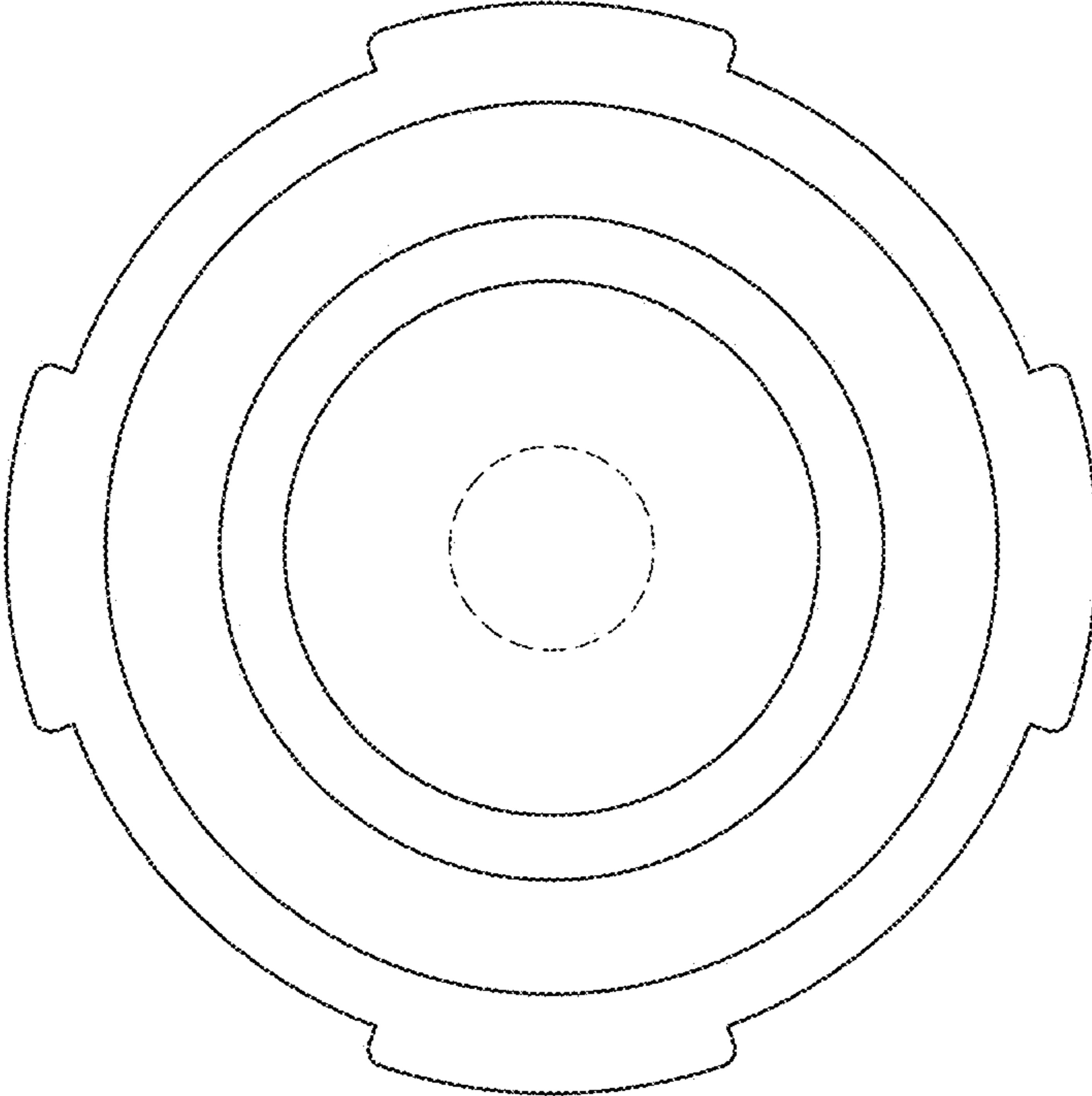


FIG. 4