



US00D919057S

(12) **United States Design Patent**  
**Garland**

(10) **Patent No.:** **US D919,057 S**

(45) **Date of Patent:** **\*\* May 11, 2021**

(54) **TUB SPOUT**

2015/0152626 A1\* 6/2015 Huang ..... E03C 1/0404  
137/119.05

(71) Applicant: **DELTA FAUCET COMPANY,**  
Indianapolis, IN (US)

\* cited by examiner

(72) Inventor: **Celine Kwok Garland,** Zionsville, IN  
(US)

*Primary Examiner* — Robert A Delehanty

(74) *Attorney, Agent, or Firm* — Nirav D. Parikh; Edgar  
A. Zarins

(73) Assignee: **DELTA FAUCET COMPANY,**  
Indianapolis, IN (US)

(\*\*) Term: **15 Years**

(57) **CLAIM**

The ornamental design for a tub spout, as shown and  
described.

(21) Appl. No.: **29/680,639**

(22) Filed: **Feb. 19, 2019**

**DESCRIPTION**

(51) **LOC (13) Cl.** ..... **23-01**

(52) **U.S. Cl.**  
USPC ..... **D23/257**

(58) **Field of Classification Search**  
USPC ..... D23/255, 257, 238, 241–243  
See application file for complete search history.

FIG. 1 is a perspective view of a tub spout showing my new  
design;  
FIG. 2 is a top plan view thereof;  
FIG. 3 is a right side view thereof;  
FIG. 4 is a front end view thereof;  
FIG. 5 is a rear view thereof; and,  
FIG. 6 is a bottom view thereof.

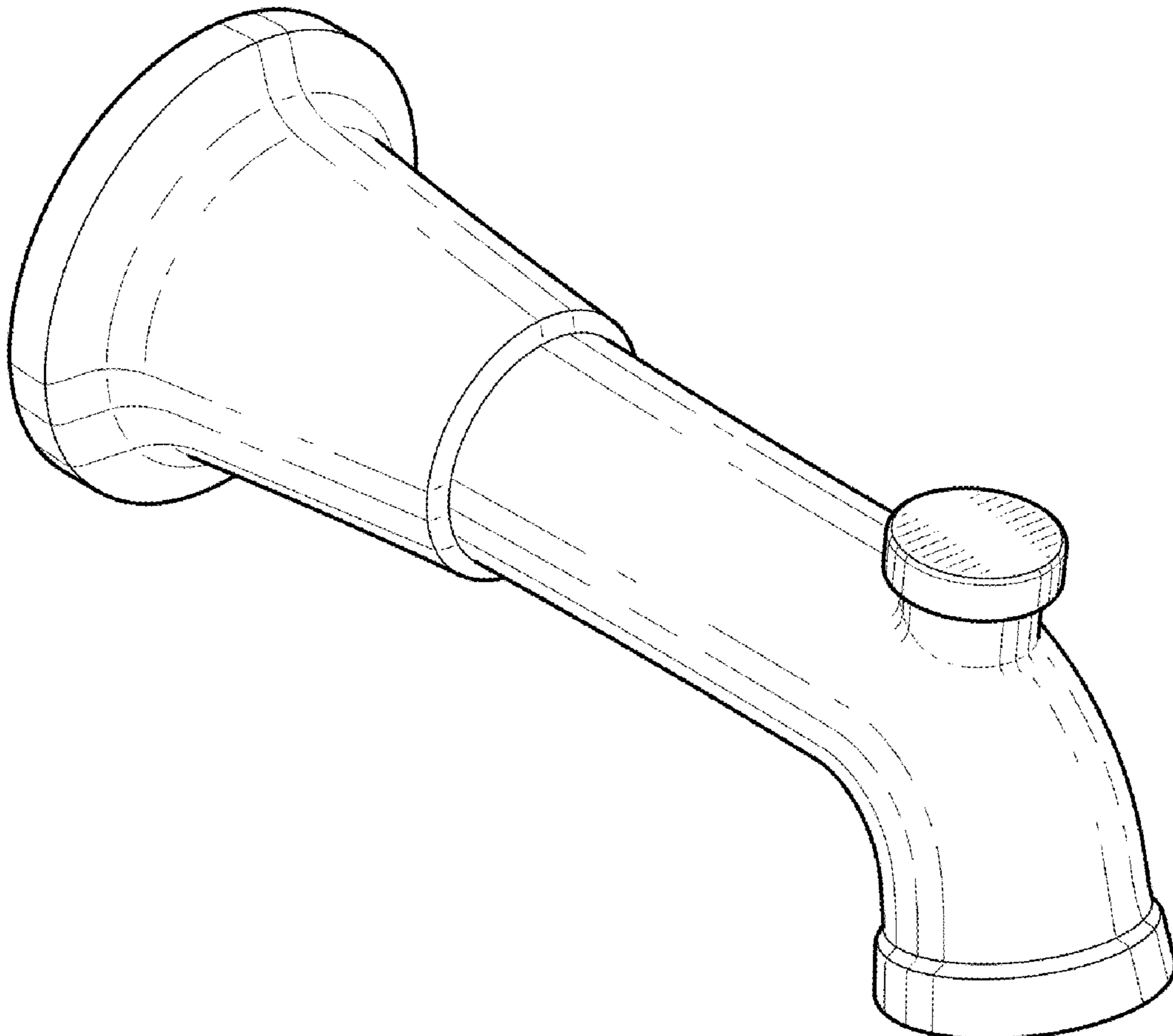
The broken-line disclosure in the view represents a portion  
of the tub spout in which the claimed design is embodied,  
but which forms no part of the claimed design.

(56) **References Cited**

**U.S. PATENT DOCUMENTS**

D266,452 S \* 10/1982 Fleischmann ..... D23/257  
D531,705 S \* 11/2006 Green ..... D23/255  
D867,549 S \* 11/2019 Garland ..... D23/257

**1 Claim, 2 Drawing Sheets**



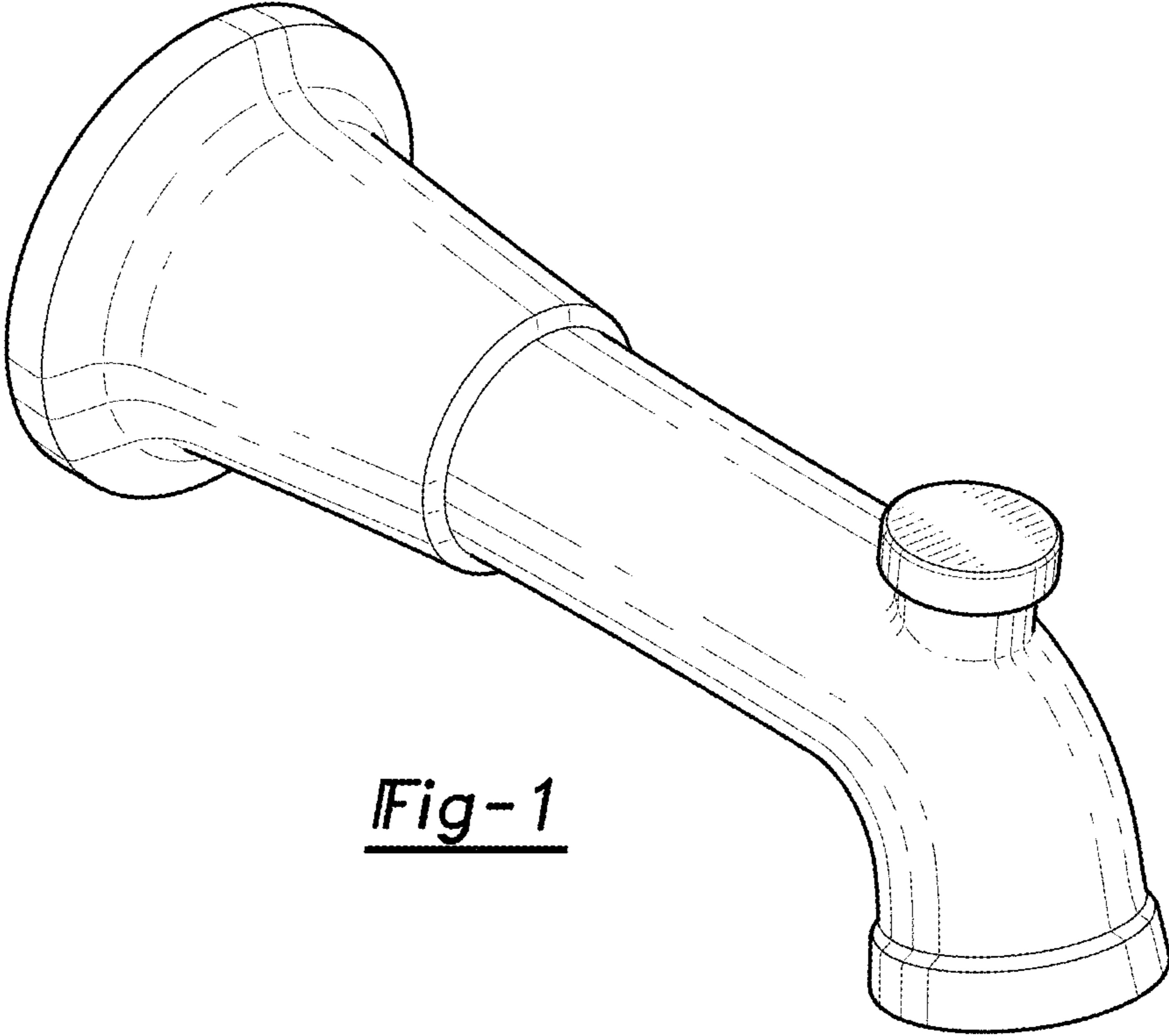


Fig-1

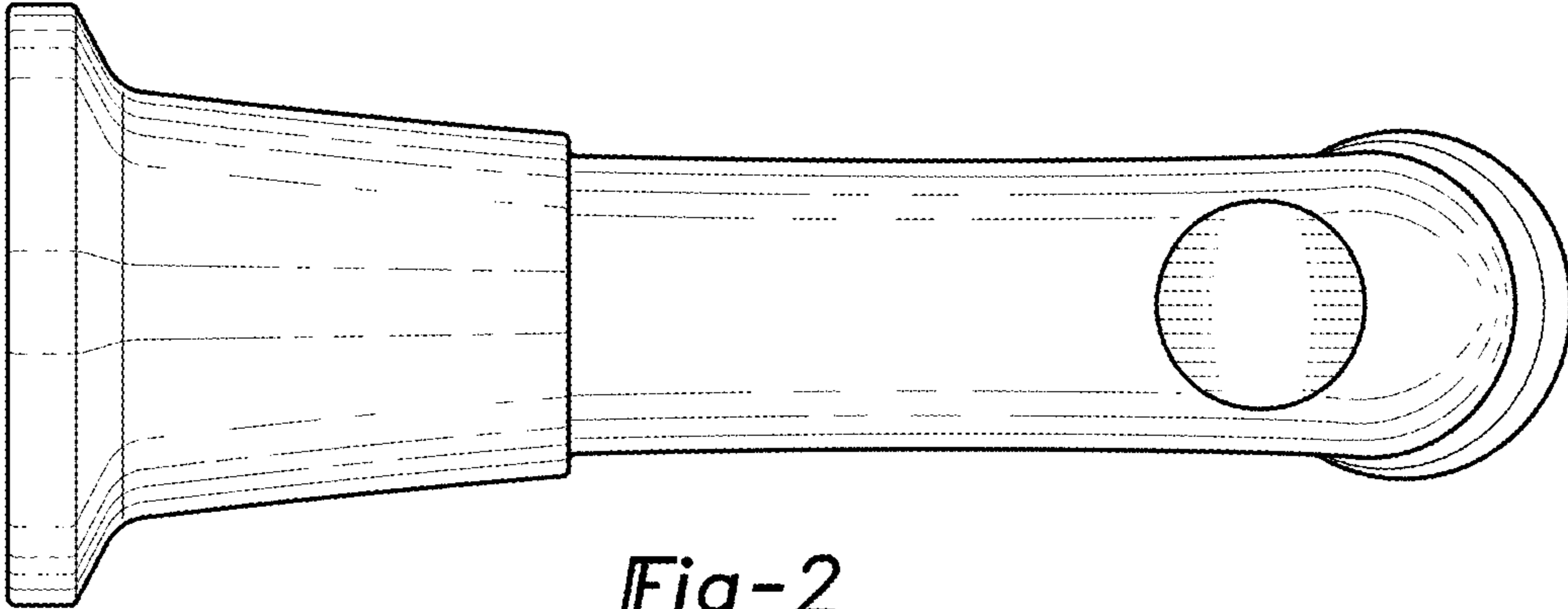


Fig-2

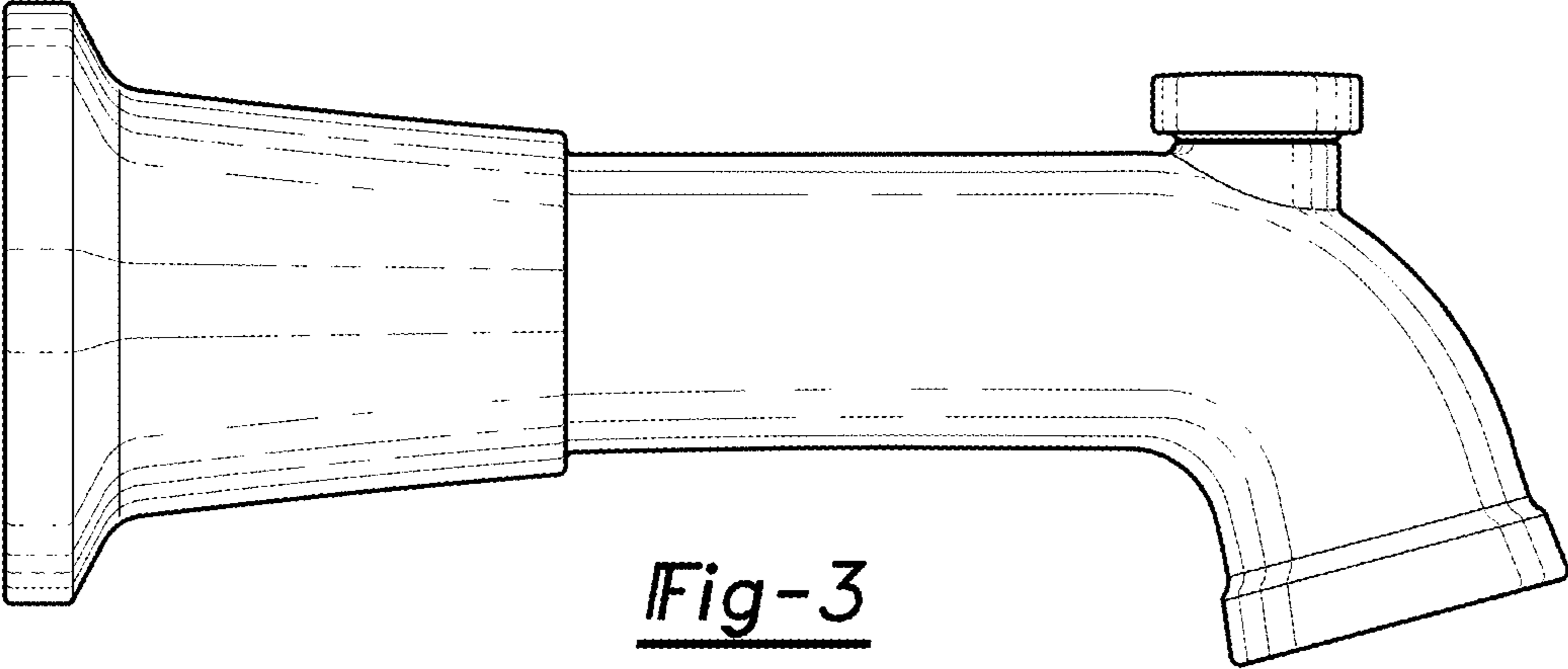


Fig-3

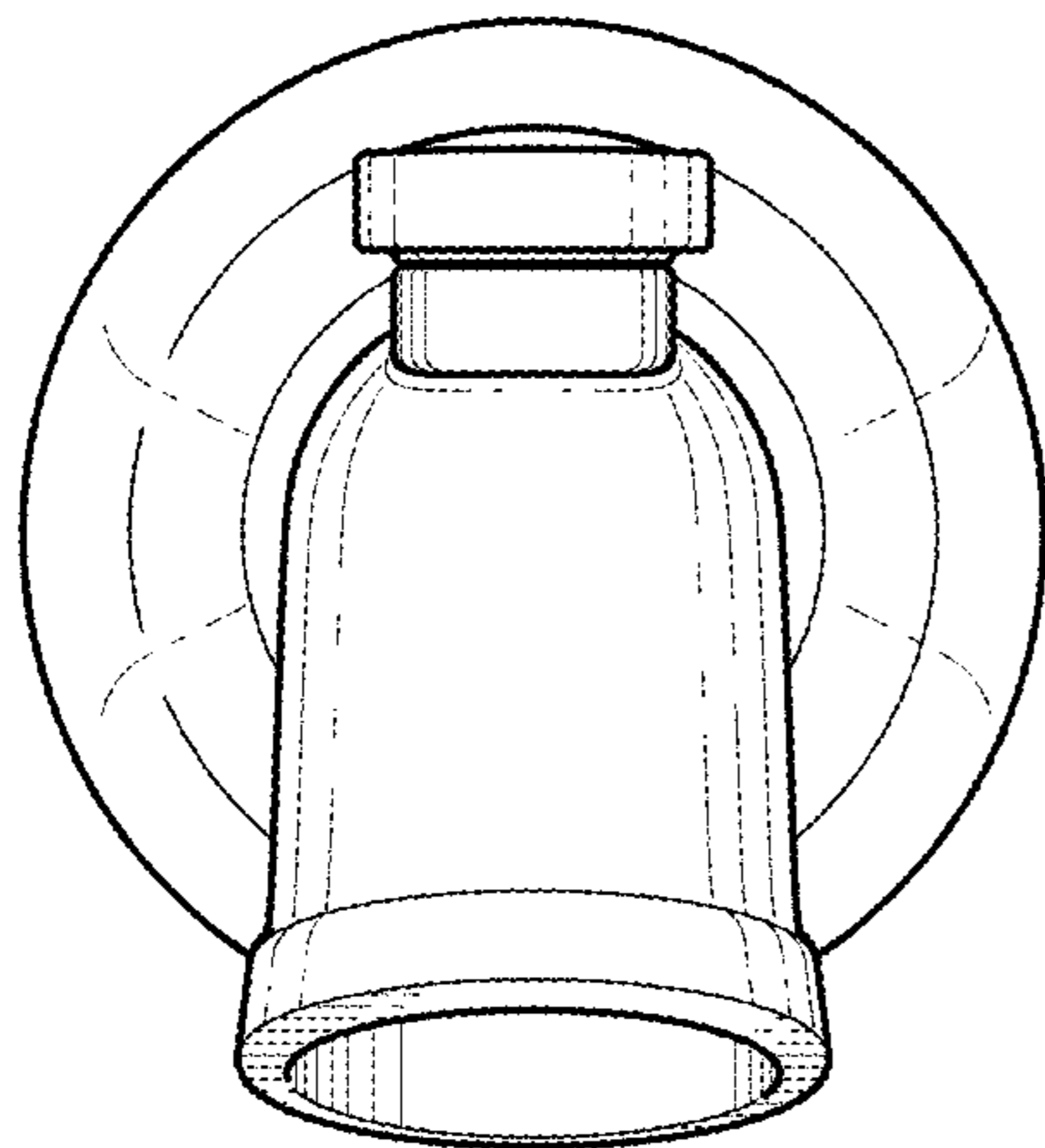


Fig-4

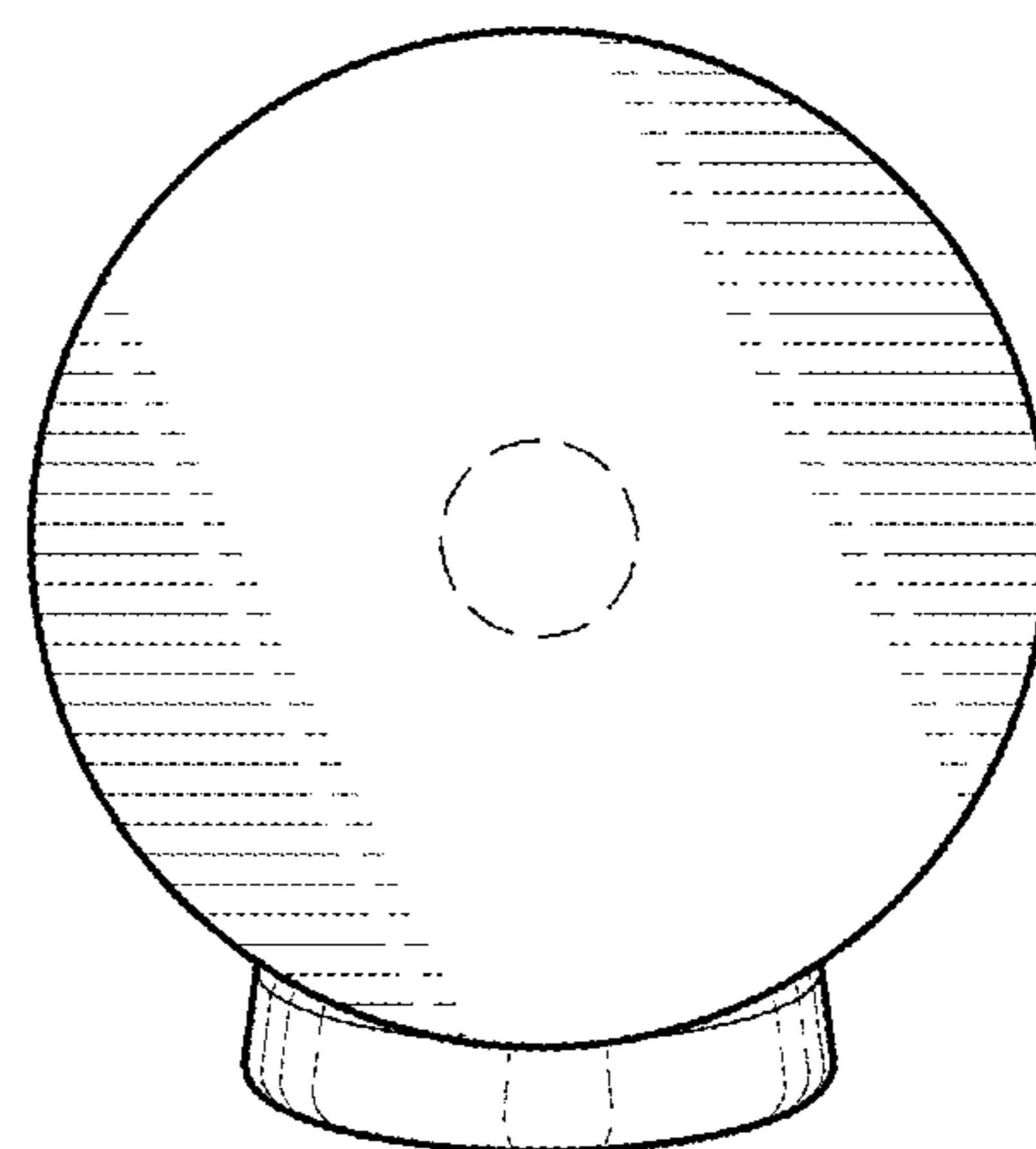


Fig-5

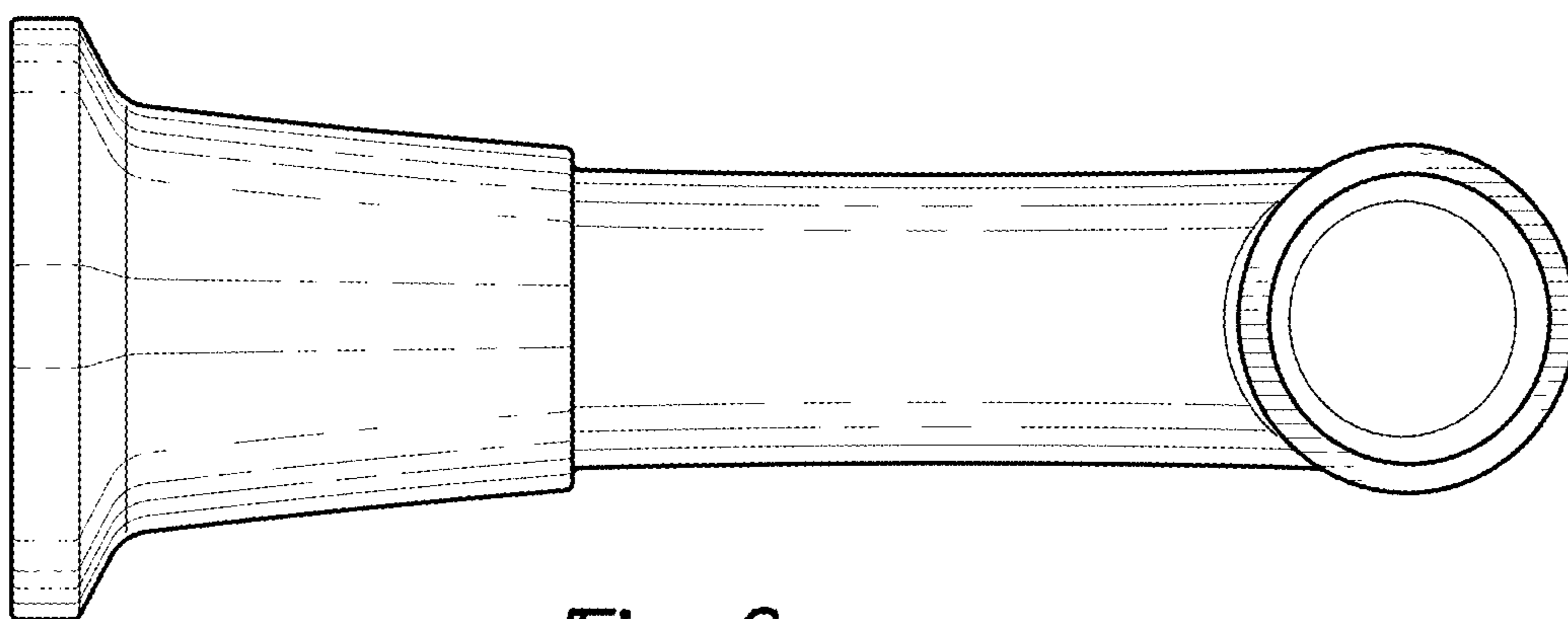


Fig-6