



US00D919056S

(12) **United States Design Patent**
Garland

(10) **Patent No.:** **US D919,056 S**

(45) **Date of Patent:** **** May 11, 2021**

(54) **FAUCET SPOUT**

D840,514 S * 2/2019 Garland D23/255

(71) Applicant: **DELTA FAUCET COMPANY,**
Indianapolis, IN (US)

* cited by examiner

(72) Inventor: **Celine Kwok Garland,** Zionsville, IN
(US)

Primary Examiner — Robert A Delehanty

(74) *Attorney, Agent, or Firm* — Nirav D. Parikh; Edgar
A. Zarins

(73) Assignee: **DELTA FAUCET COMPANY,**
Indianapolis, IN (US)

(57) **CLAIM**

(**) Term: **15 Years**

The ornamental design for a faucet spout, as shown and
described.

(21) Appl. No.: **29/680,641**

(22) Filed: **Feb. 19, 2019**

DESCRIPTION

(51) **LOC (13) Cl.** **23-01**

(52) **U.S. Cl.**
USPC **D23/255**

(58) **Field of Classification Search**
USPC D23/255, 257, 238, 241–243
See application file for complete search history.

FIG. 1 is a perspective view of a faucet spout showing my
new design;
FIG. 2 is a bottom view thereof;
FIG. 3 is a top plan view thereof;
FIG. 4 is a right side view thereof;
FIG. 5 is a front elevational view thereof; and,
FIG. 6 is a rear view thereof.

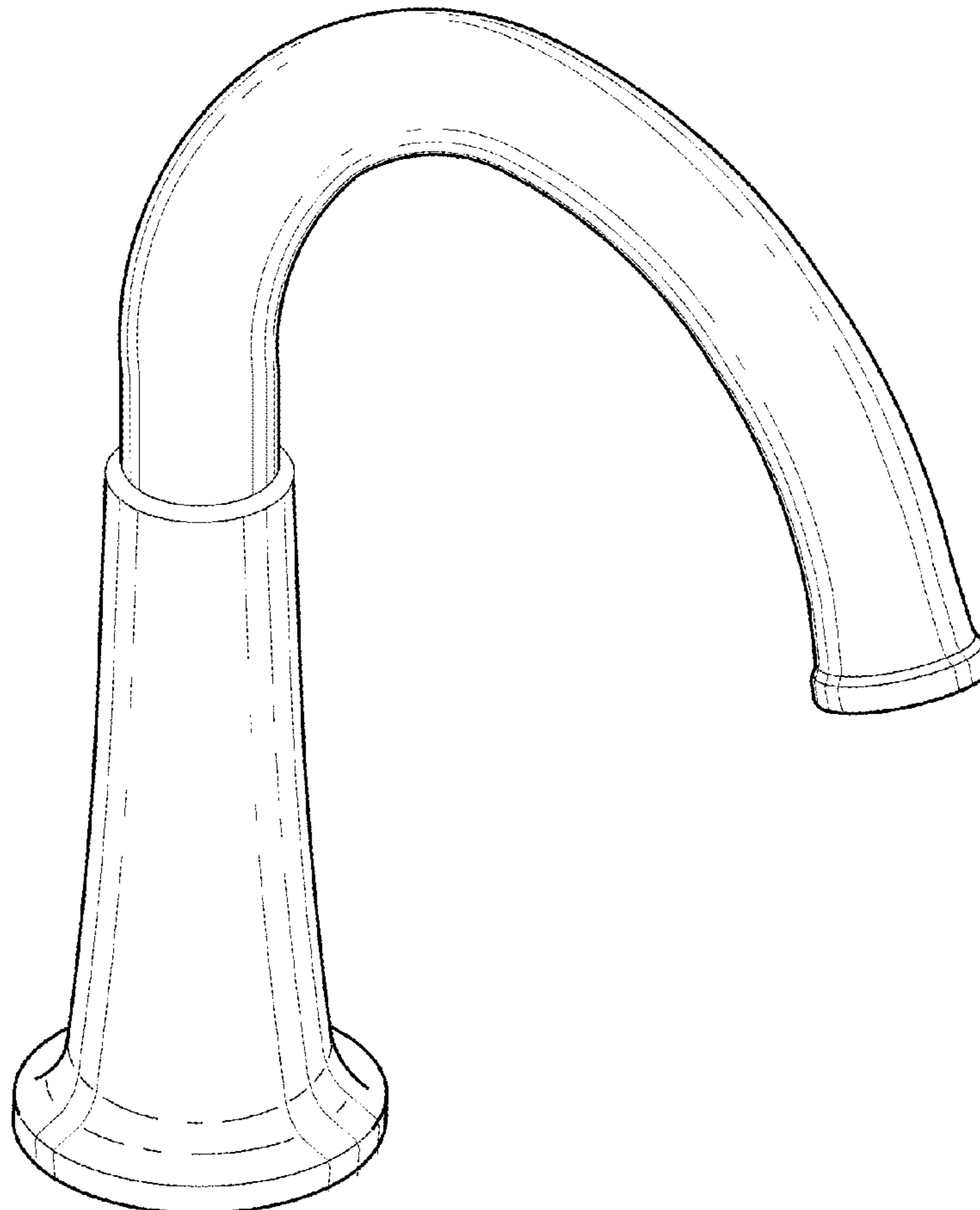
The broken-line disclosure in the view represents a portion
of the faucet spout in which the claimed design is embodied,
but which forms no part of the claimed design.

(56) **References Cited**

U.S. PATENT DOCUMENTS

D532,085 S * 11/2006 Svendsen D23/241
D574,469 S * 8/2008 Soriano D23/255
D629,873 S * 12/2010 Roy D23/255

1 Claim, 3 Drawing Sheets



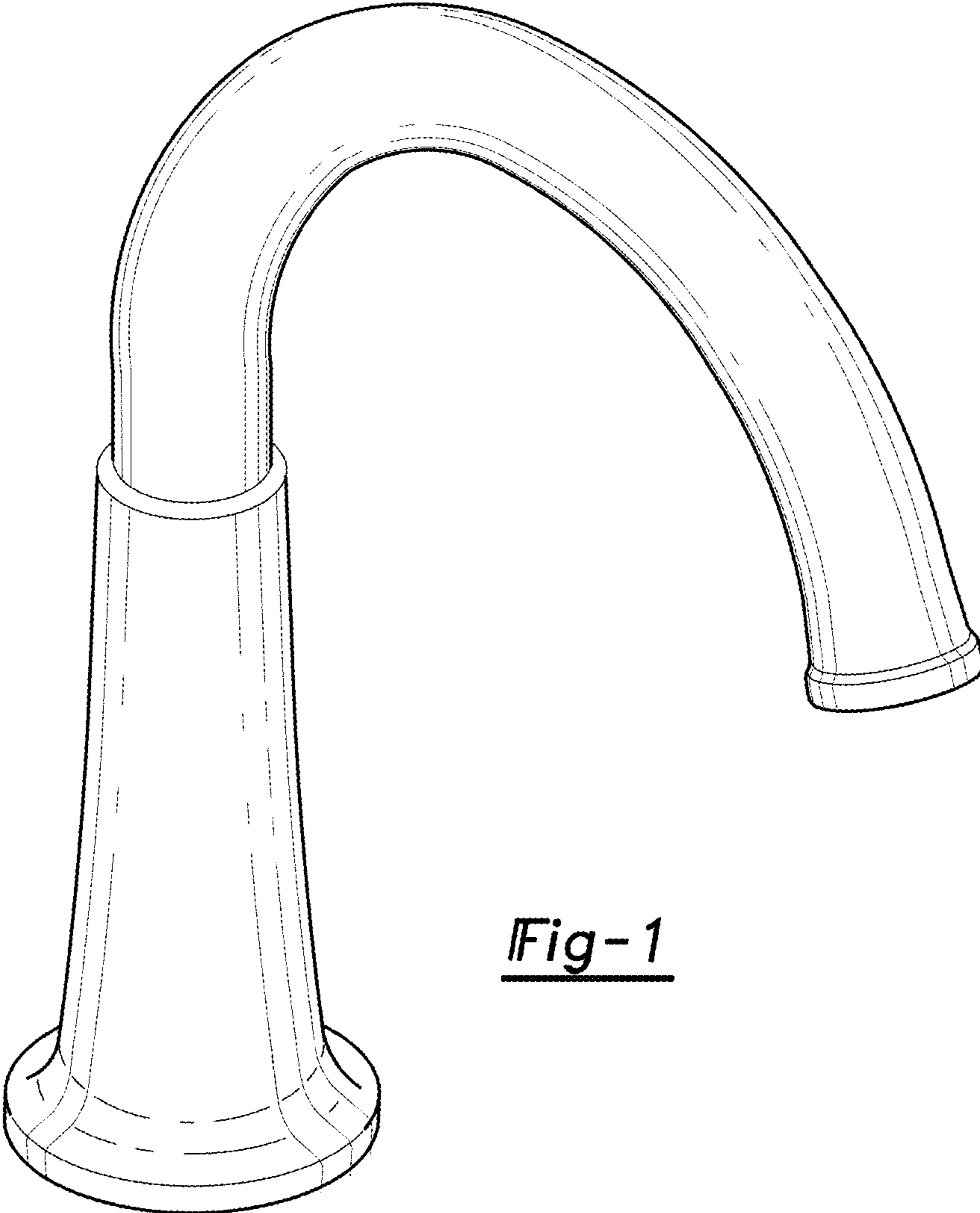


Fig-1

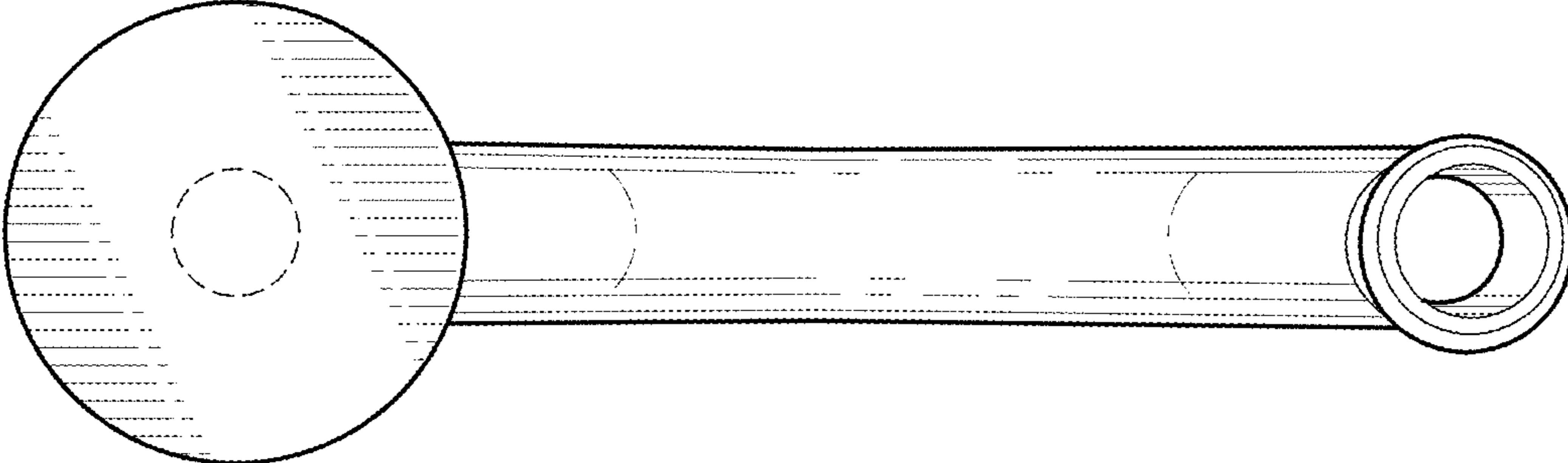


Fig-2

Fig-3

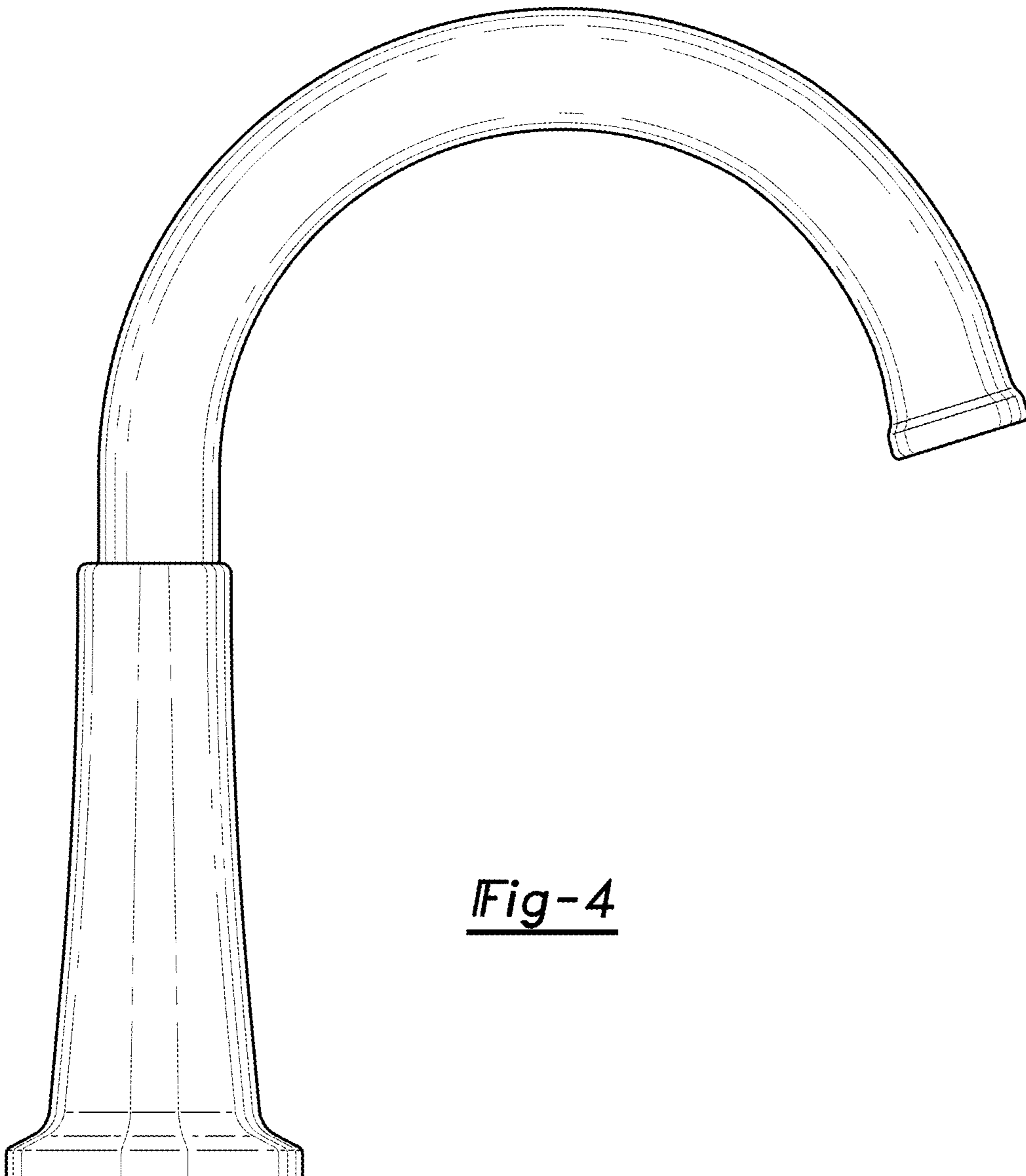
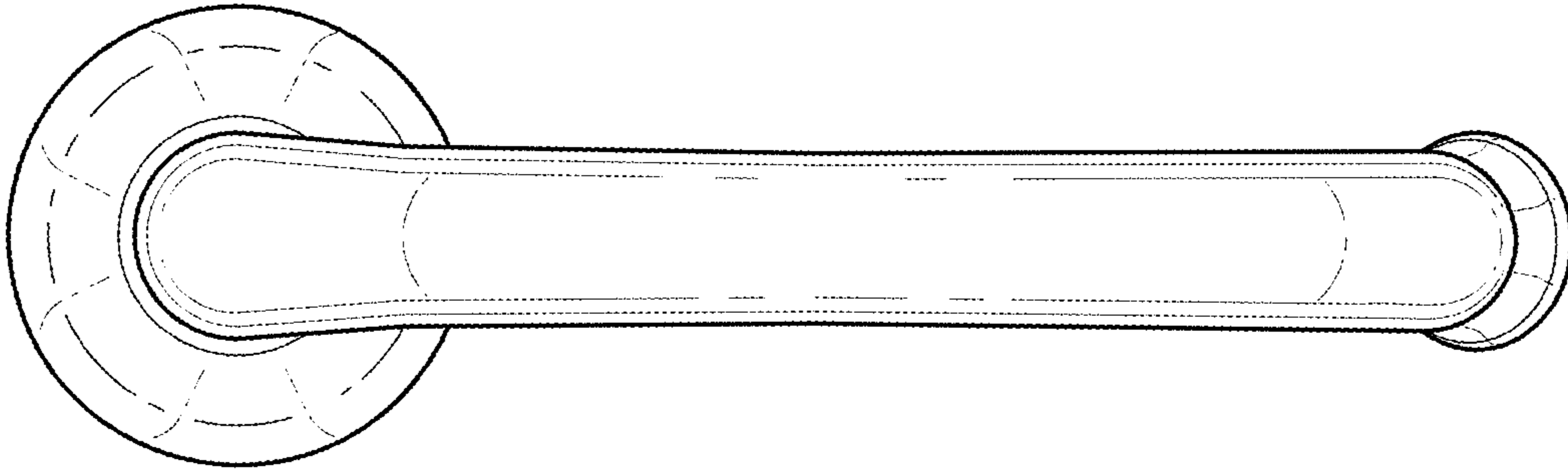


Fig-4

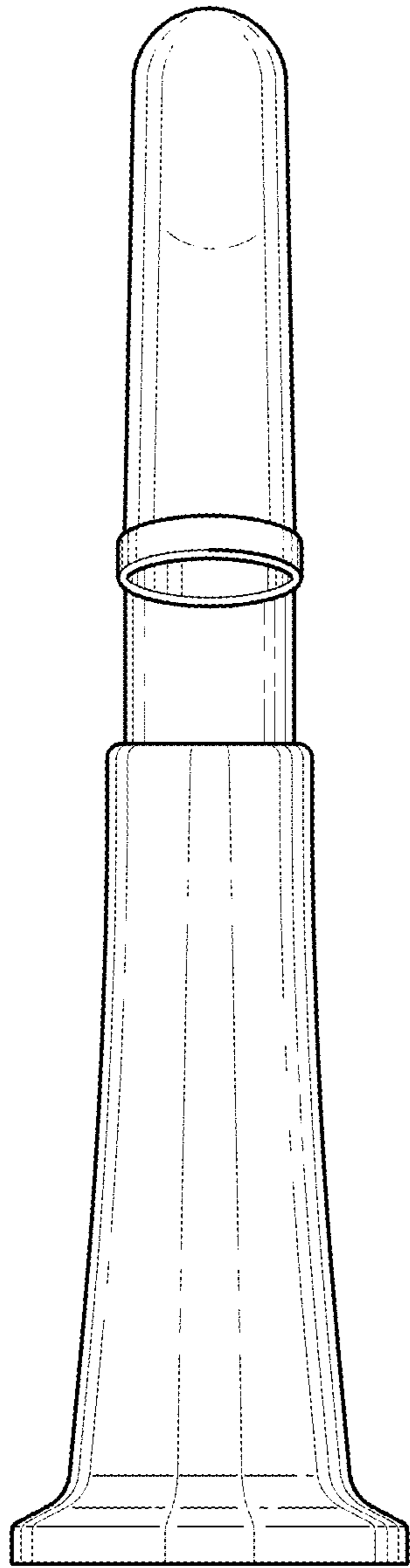


Fig-5

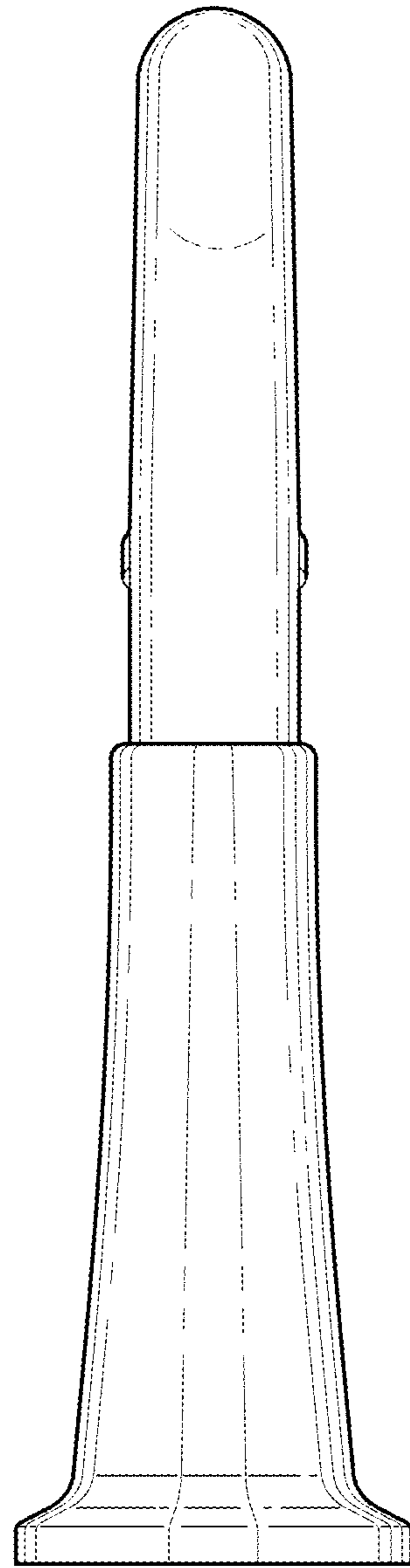


Fig-6