



US00D919054S

(12) **United States Design Patent**
Stoler et al.

(10) **Patent No.: US D919,054 S**

(45) **Date of Patent: ** May 11, 2021**

(54) **FAUCET**

D869,613 S * 12/2019 Garland D23/242
D869,614 S * 12/2019 Garland D23/242
D873,965 S * 1/2020 Lazarini D23/241

(71) Applicant: **DELTA FAUCET COMPANY,**
Indianapolis, IN (US)

FOREIGN PATENT DOCUMENTS

(72) Inventors: **Benjamin David Stoler,** Carmel, IN
(US); **Thad Eads,** Urbana, IN (US);
Anthony Joseph Tentler, Windfall, IN
(US)

CN 303267518 * 1/2015

OTHER PUBLICATIONS

(73) Assignee: **DELTA FAUCET COMPANY,**
Indianapolis, IN (US)

Widespread Faucet, announced May 31, 2012[online], [site visited Jul. 22, 2020]. Available from internet, URL:<<https://www.amazon.com/Moen-T6905BN-Two-Handle-Widespread-Bathroom/dp/B0087R7PLU?th=1>> (Year: 2012).*

(**) Term: **15 Years**

Widespread Faucet, announced Date unavailable[online], [site visited Aug. 6, 2020]. Available from internet, URL:<<https://www.deltafaucet.com/bathroom/product/35776-SSMPU-DST>> (Year: 2020).*

(21) Appl. No.: **29/686,570**

* cited by examiner

(22) Filed: **Apr. 5, 2019**

(51) **LOC (13) Cl.** **23-01**

(52) **U.S. Cl.**
USPC **D23/242**

(58) **Field of Classification Search**
USPC D23/238-244, 252, 254, 255, 257;
D8/307-308

CPC F16K 31/602; F16K 31/605; F16K 31/607;
E03C 1/0412

See application file for complete search history.

(57) **CLAIM**

The ornamental design for a faucet, as shown and described.

(56) **References Cited**

DESCRIPTION

U.S. PATENT DOCUMENTS

D477,053 S * 7/2003 Schonherr D23/241
D532,085 S * 11/2006 Svendsen D23/241
D606,169 S * 12/2009 Lammel D23/242
D680,624 S * 4/2013 Romero D23/242
D767,728 S * 9/2016 Flowers D23/242
D856,487 S * 8/2019 Spangler D23/242
D862,655 S * 10/2019 Garland D23/242
D867,542 S * 11/2019 Garland D23/242
D867,543 S * 11/2019 Garland D23/242

FIG. 1 is a front perspective view of a faucet showing our new design;

FIG. 2 is a rear perspective view thereof;

FIG. 3 is a front elevational view thereof;

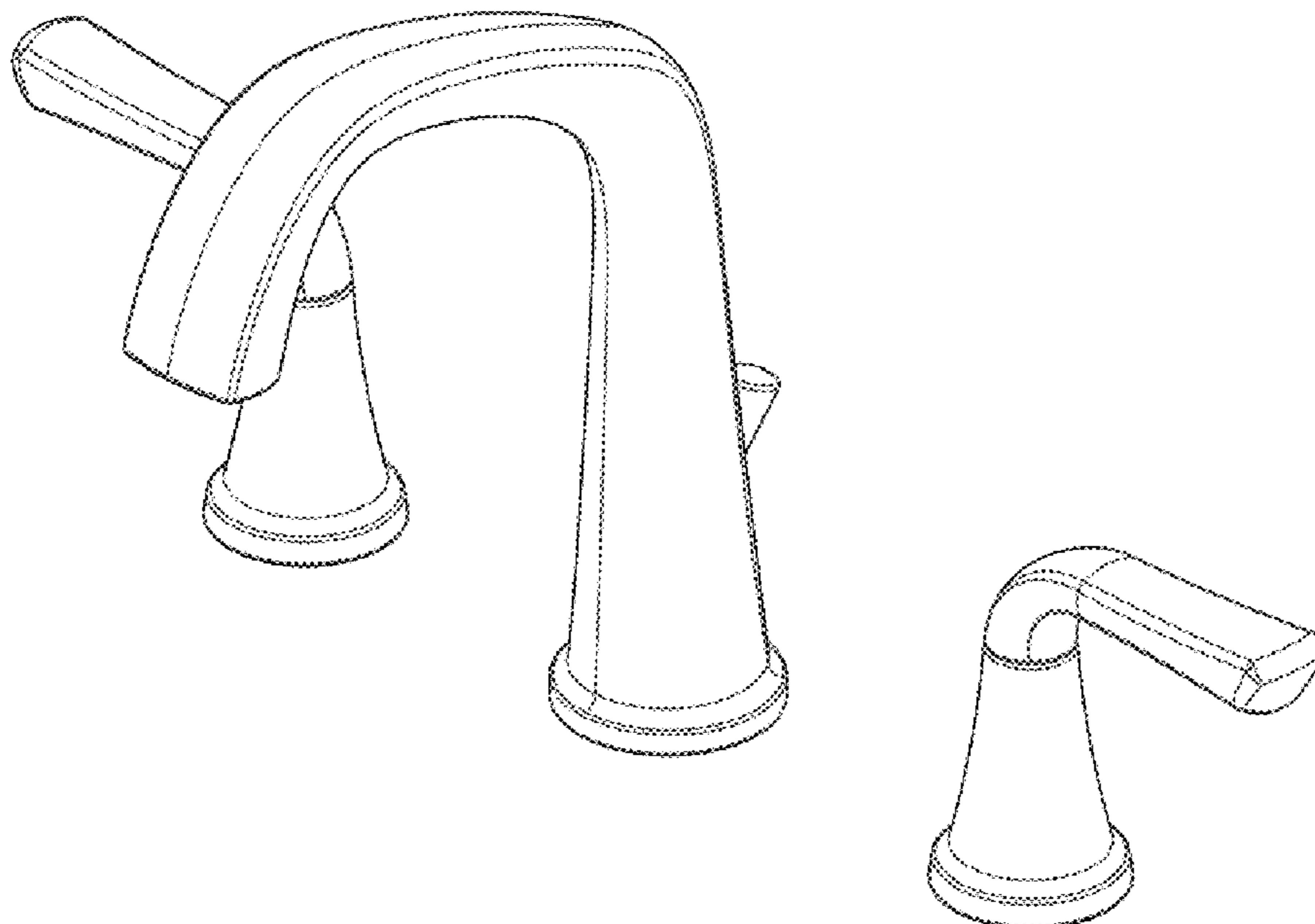
FIG. 4 is a left side view thereof;

FIG. 5 is a rear view thereof;

FIG. 6 is a right side view thereof; and,

FIG. 7 is a top plan view thereof.

1 Claim, 4 Drawing Sheets



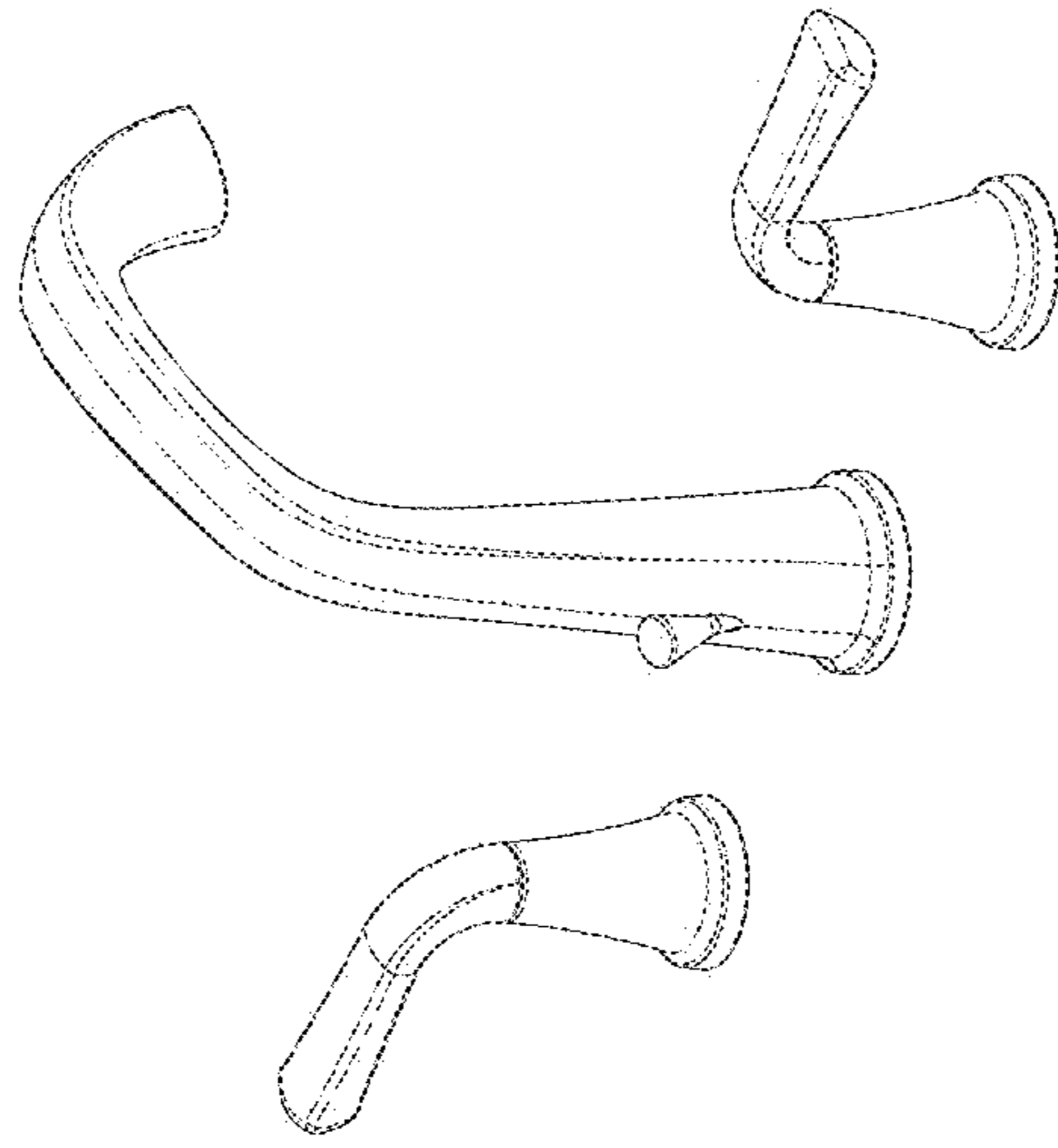


FIG - 2

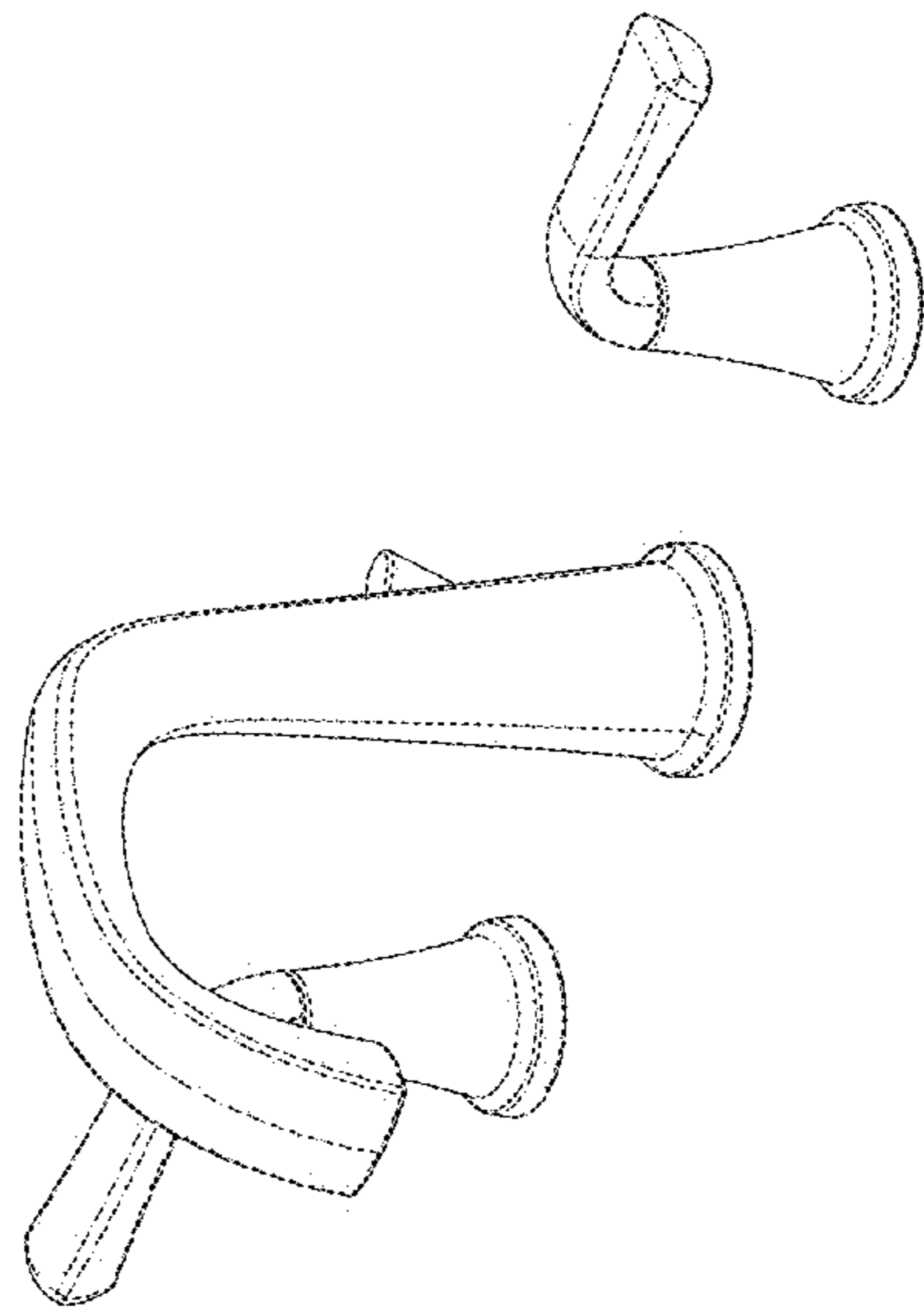


FIG - 1

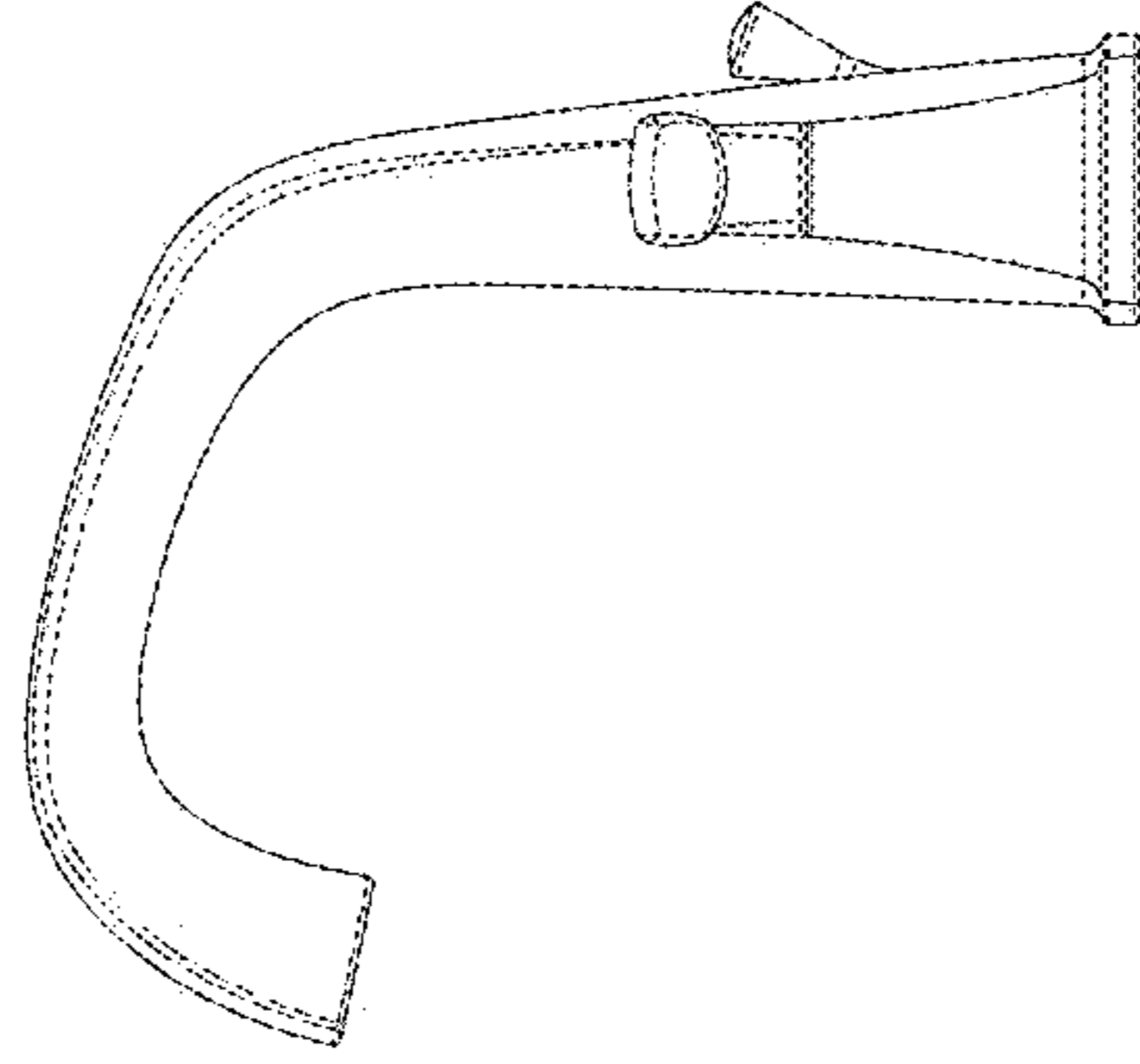


FIG - 4

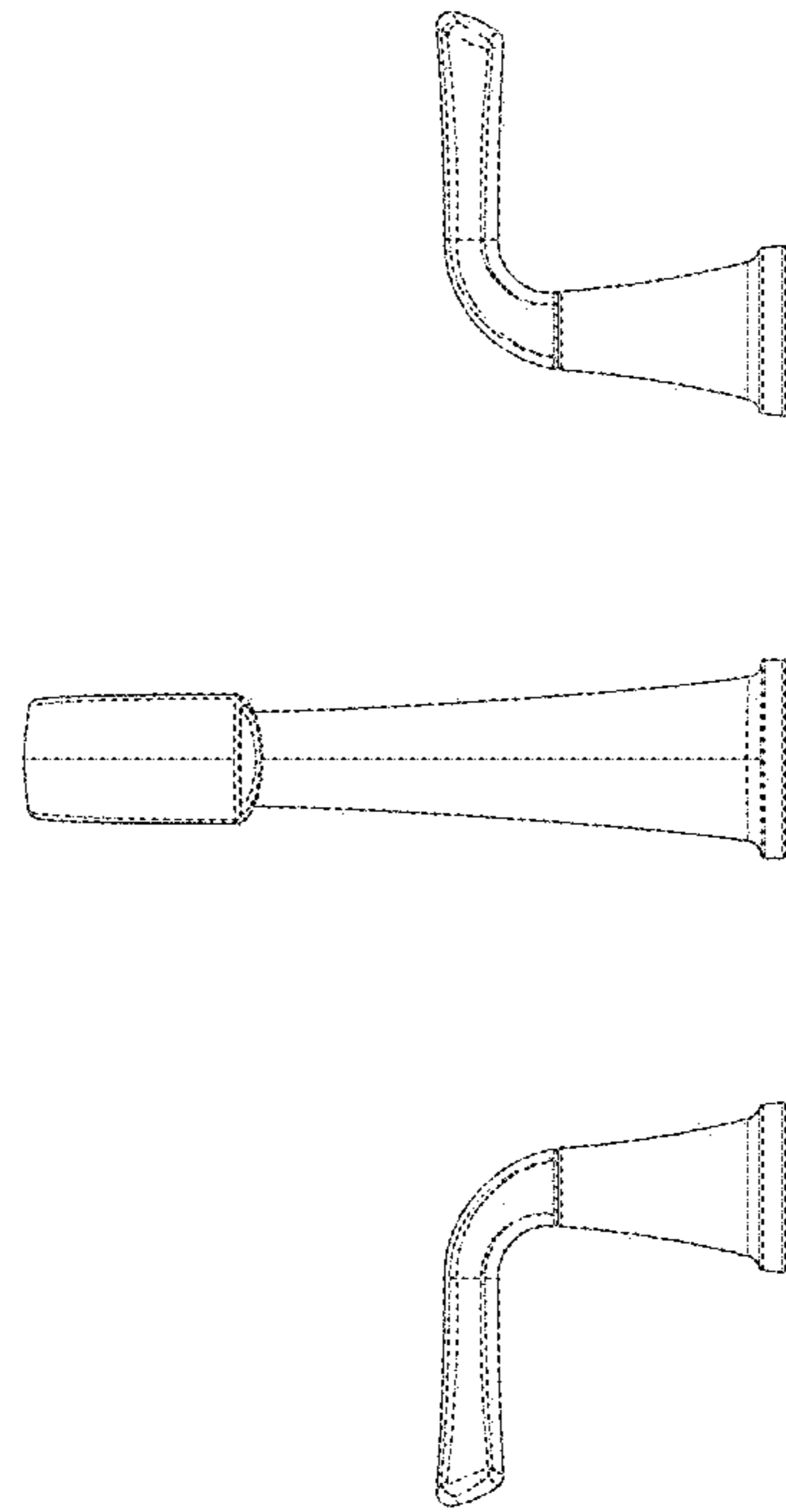


FIG - 3

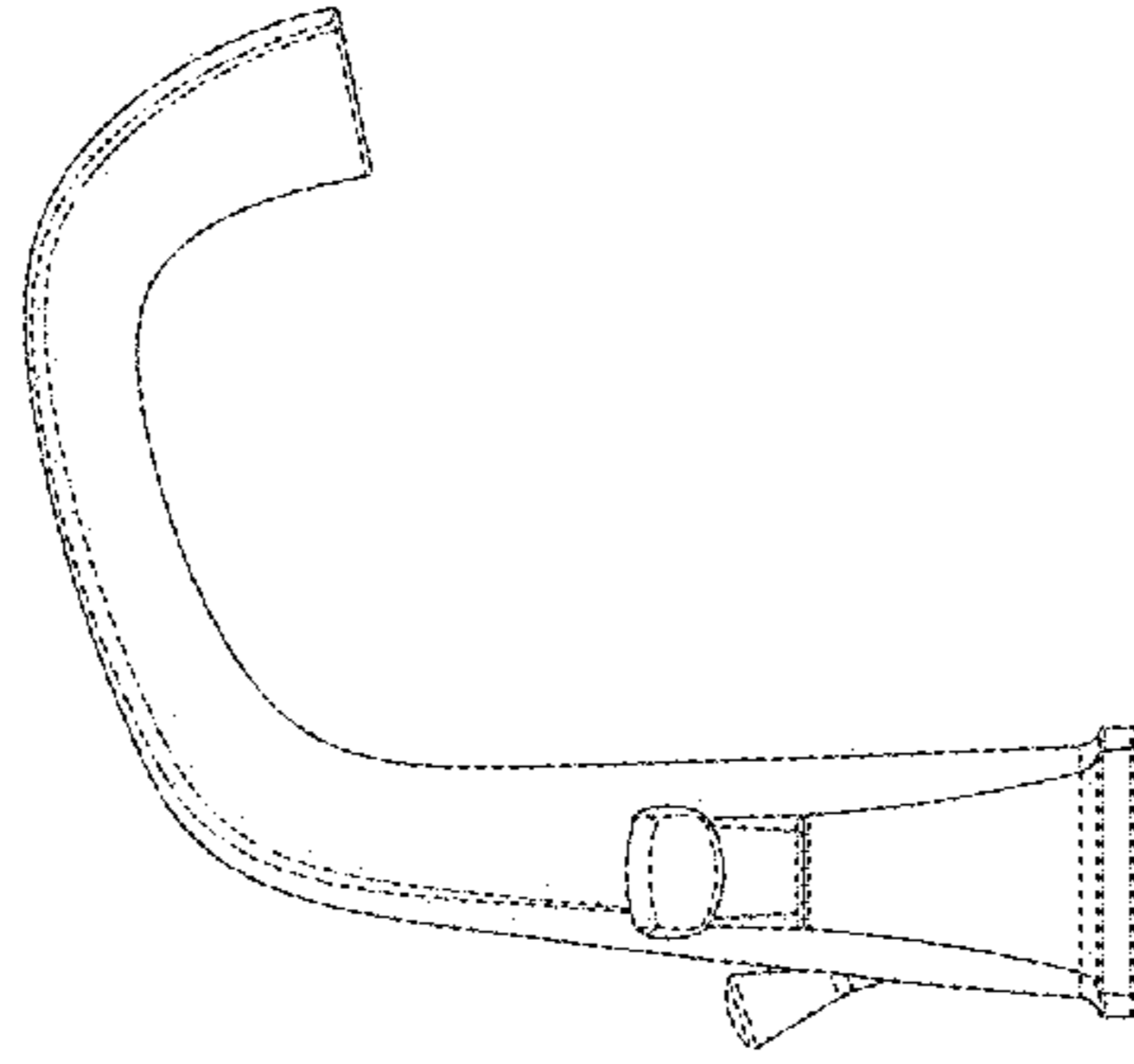


FIG - 6

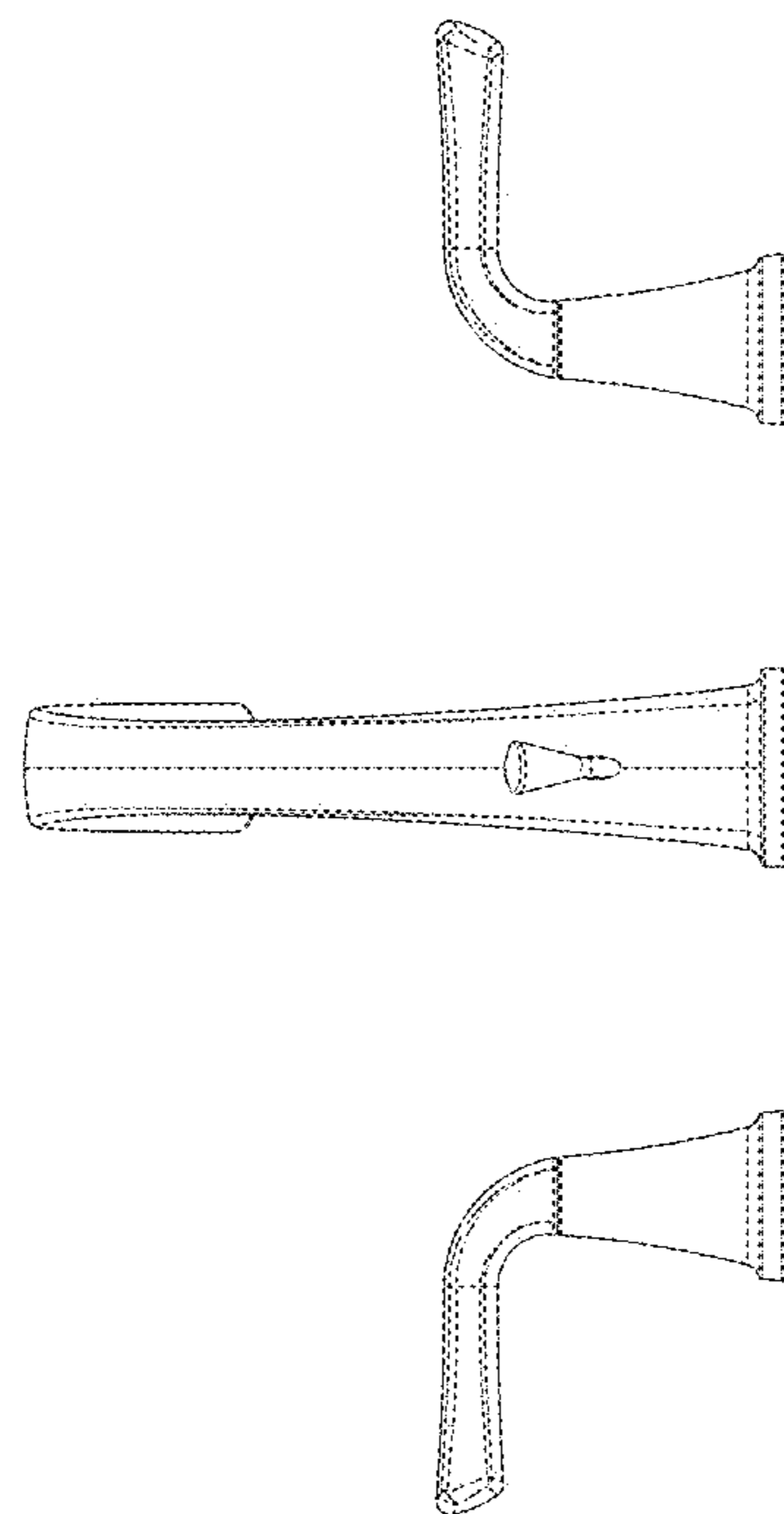


FIG - 5

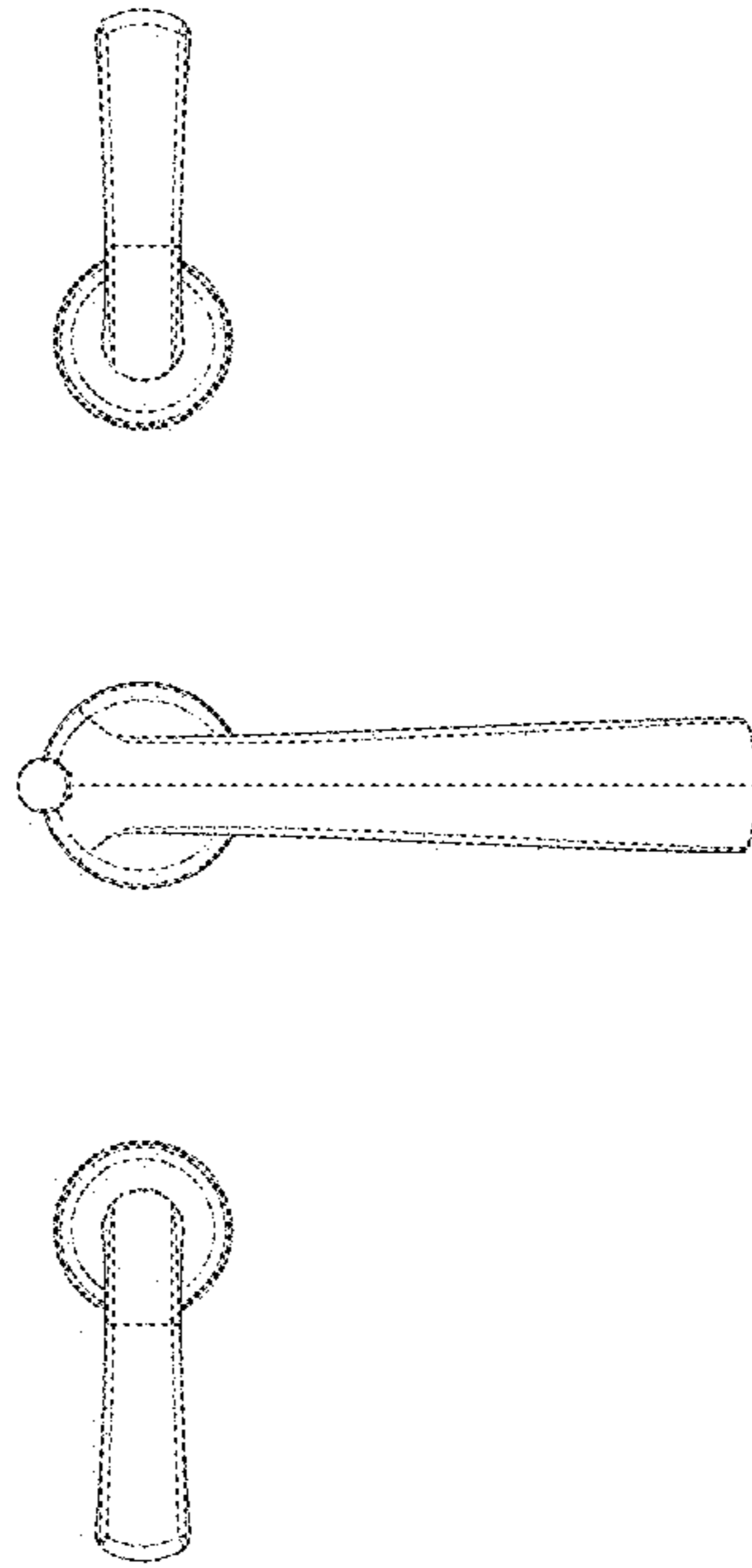


FIG - 7