



US00D919052S

(12) **United States Design Patent** (10) **Patent No.:** **US D919,052 S**
He (45) **Date of Patent:** **** May 11, 2021**

(54) **FAUCET**

(71) Applicant: **Guangzhou Weisihui Jiaju Co., LTD.,**
Guangzhou (CN)

(72) Inventor: **Min He**, Guangzhou (CN)

(**) Term: **15 Years**

(21) Appl. No.: **29/727,558**

(22) Filed: **Mar. 11, 2020**

(51) **LOC (13) Cl.** **23-01**

(52) **U.S. Cl.**
USPC **D23/238**

(58) **Field of Classification Search**
USPC D23/238–244, 252, 254–255, 257;
D8/307–308
CPC F16K 31/602; F16K 31/605; F16K 31/607;
E03C 1/0412
See application file for complete search history.

(56) **References Cited**

U.S. PATENT DOCUMENTS

| | | | | |
|--------------|---------|-----------|-------|---------|
| D521,109 S * | 5/2006 | Lord | | D23/238 |
| D689,595 S * | 9/2013 | Georgeson | | D23/238 |
| D705,399 S * | 5/2014 | Flowers | | D23/238 |
| D828,508 S * | 9/2018 | Fritz | | D23/238 |
| D840,509 S * | 2/2019 | Garland | | D23/238 |
| D842,429 S * | 3/2019 | Huang | | D23/213 |
| D842,430 S * | 3/2019 | Huang | | D23/213 |
| D849,201 S * | 5/2019 | Zhang | | D23/238 |
| D867,532 S * | 11/2019 | Liao | | D23/238 |
| D868,211 S * | 11/2019 | Garland | | D23/238 |
| D870,851 S * | 12/2019 | Tentler | | D23/238 |
| D870,852 S * | 12/2019 | Eads | | D23/238 |
| D871,546 S * | 12/2019 | Bahler | | D23/238 |
| D871,547 S * | 12/2019 | Eads | | D23/238 |
| D871,548 S * | 12/2019 | Tentler | | D23/238 |
| D872,235 S * | 1/2020 | Garland | | D23/238 |
| D873,379 S * | 1/2020 | Fritz | | D23/238 |
| D873,380 S * | 1/2020 | Judge | | D23/238 |

| | | | | |
|--------------|--------|----------|-------|---------|
| D873,960 S * | 1/2020 | Fritz | | D23/238 |
| D874,613 S * | 2/2020 | Park | | D23/238 |
| D879,914 S * | 3/2020 | Lazarini | | D23/238 |
| D890,302 S * | 7/2020 | Chen | | D23/238 |

FOREIGN PATENT DOCUMENTS

CN 305018404 * 6/2018

OTHER PUBLICATIONS

Hansgrohe Talis Kitchen Faucet, announced Aug. 3, 2010[online], [site visited Feb. 11, 2021]. Available from internet, URL:<https://www.amazon.com/Talis-Single-Hole-Kitchen-1spray/dp/B006P7M2H6> (Year: 2010).*

(Continued)

Primary Examiner — Barbara Fox

Assistant Examiner — Jamaal Rasheed

(74) *Attorney, Agent, or Firm* — Novoclaims Patent Services LLC; Mei Lin Wong

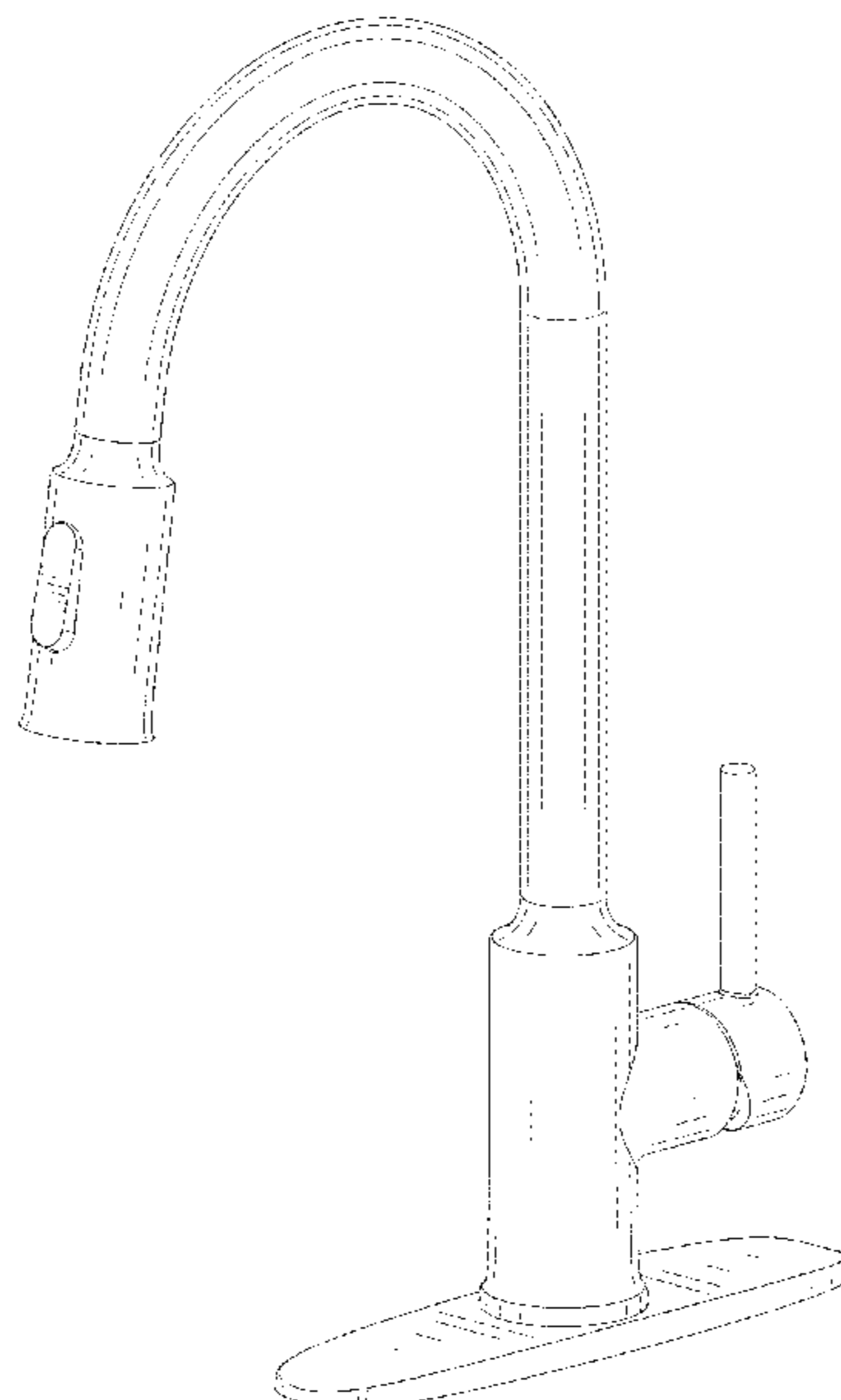
(57) **CLAIM**

The ornamental design for a faucet, as shown and described.

DESCRIPTION

FIG. 1 is a front perspective view of a faucet, showing my new design;
FIG. 2 is a rear perspective view thereof;
FIG. 3 is a front view thereof;
FIG. 4 is a rear view thereof;
FIG. 5 is a left side view thereof;
FIG. 6 is a right side view thereof;
FIG. 7 is a top view thereof; and,
FIG. 8 is a bottom view thereof.
The broken lines in the drawings depict portions of the faucet that form no part of the claimed design.

1 Claim, 8 Drawing Sheets



(56)

References Cited

OTHER PUBLICATIONS

FORIOUS Kitchen Faucet with Pull Down Sprayer Brushed Nickel, announced Sep. 20, 2019[online], [site visited Feb. 11, 2021]. Available from internet, URL:</https://www.amazon.com/Stainless-Kitchen-Sprayer-Commercial-FORIOUS/dp/B07Y4Y88Y6> (Year: 2019).*

Raeye Commercial Kitchen Faucet, announced May 26, 2020[online], [site visited Feb. 11, 2021]. Available from internet, URL:<https://www.amazon.com/Raeye-Kitchen-Sprayer-Brushed-Commercial/dp/B0899HFBCR> (Year: 2020).*

* cited by examiner

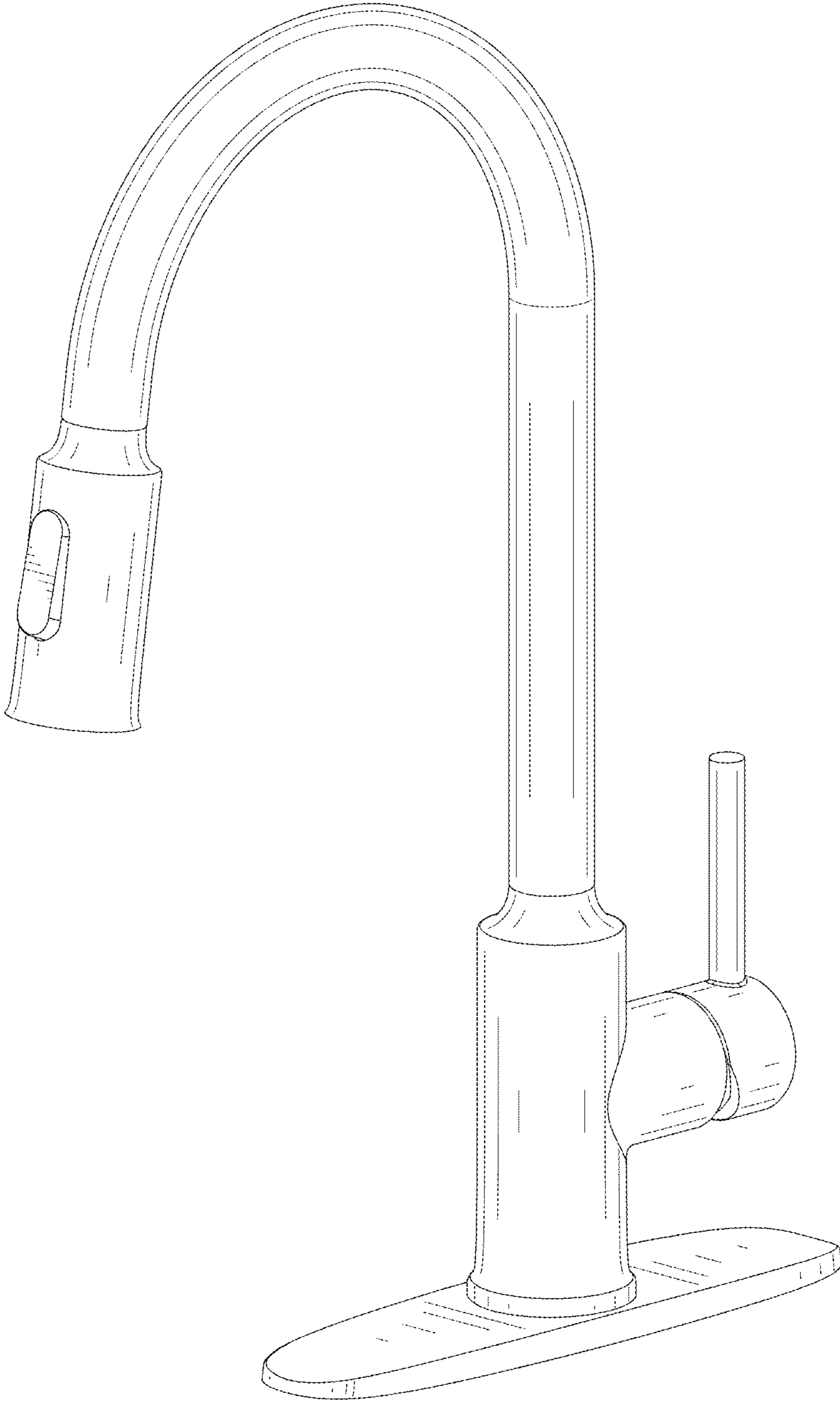


FIG.1

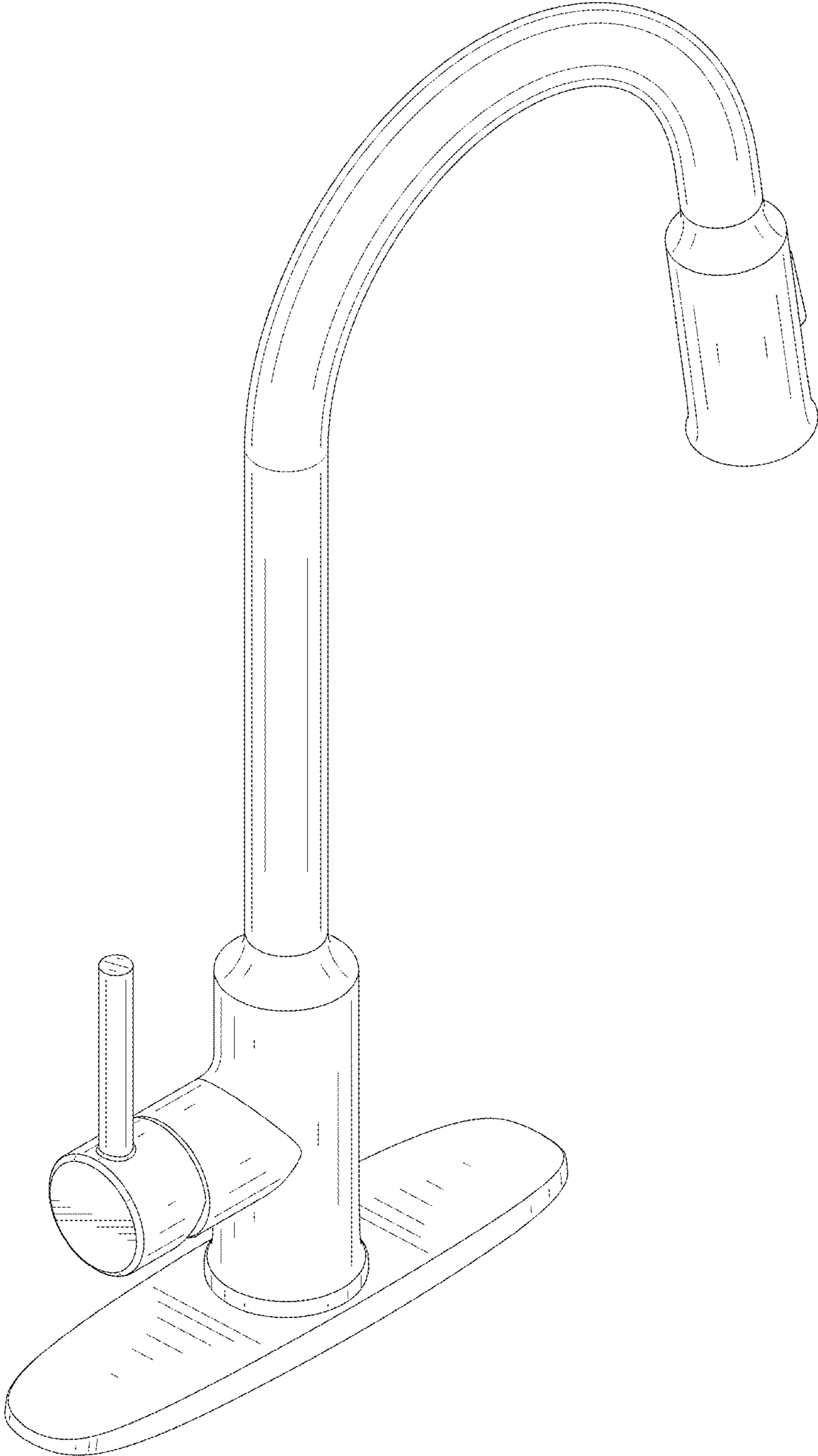


FIG.2

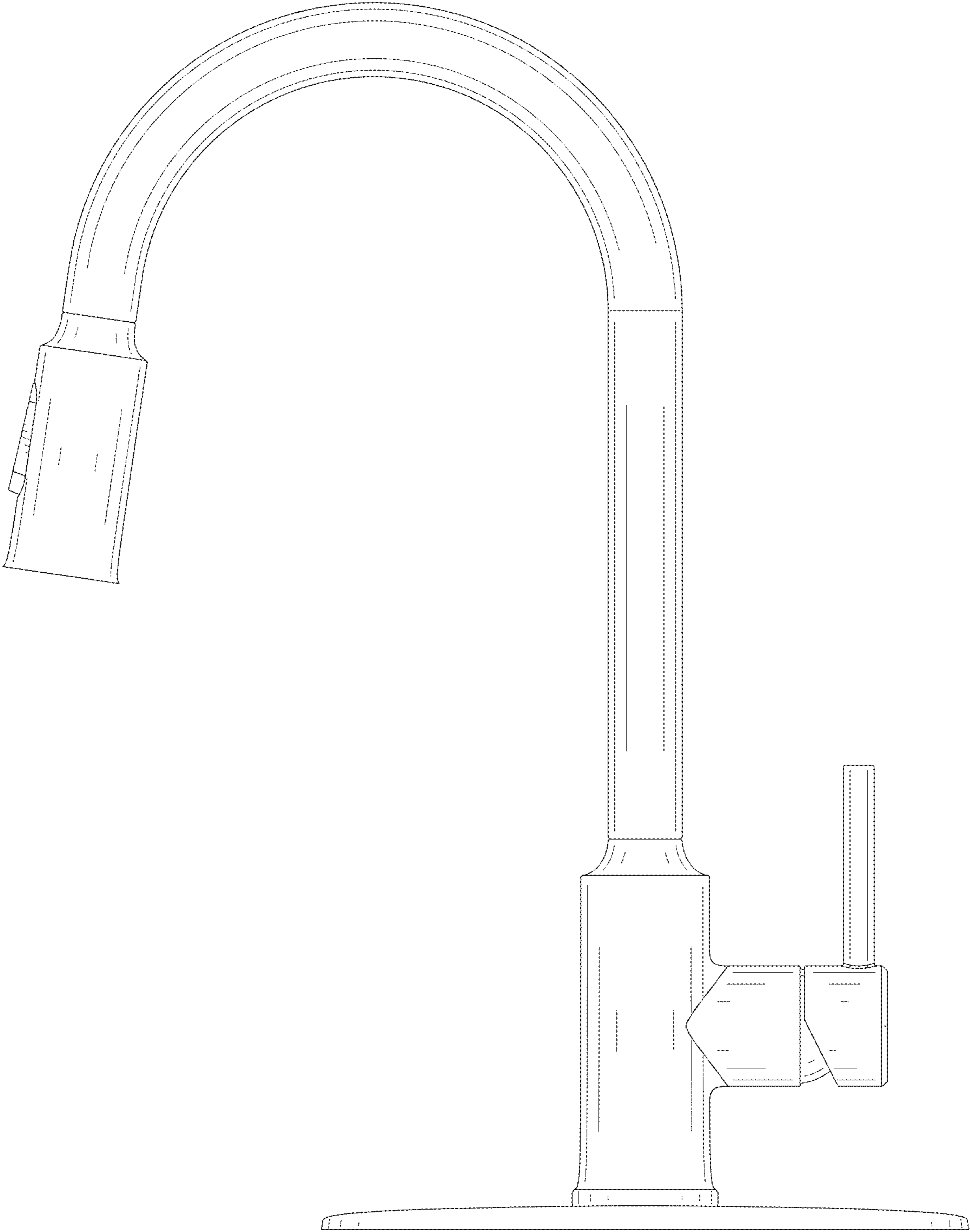


FIG.3

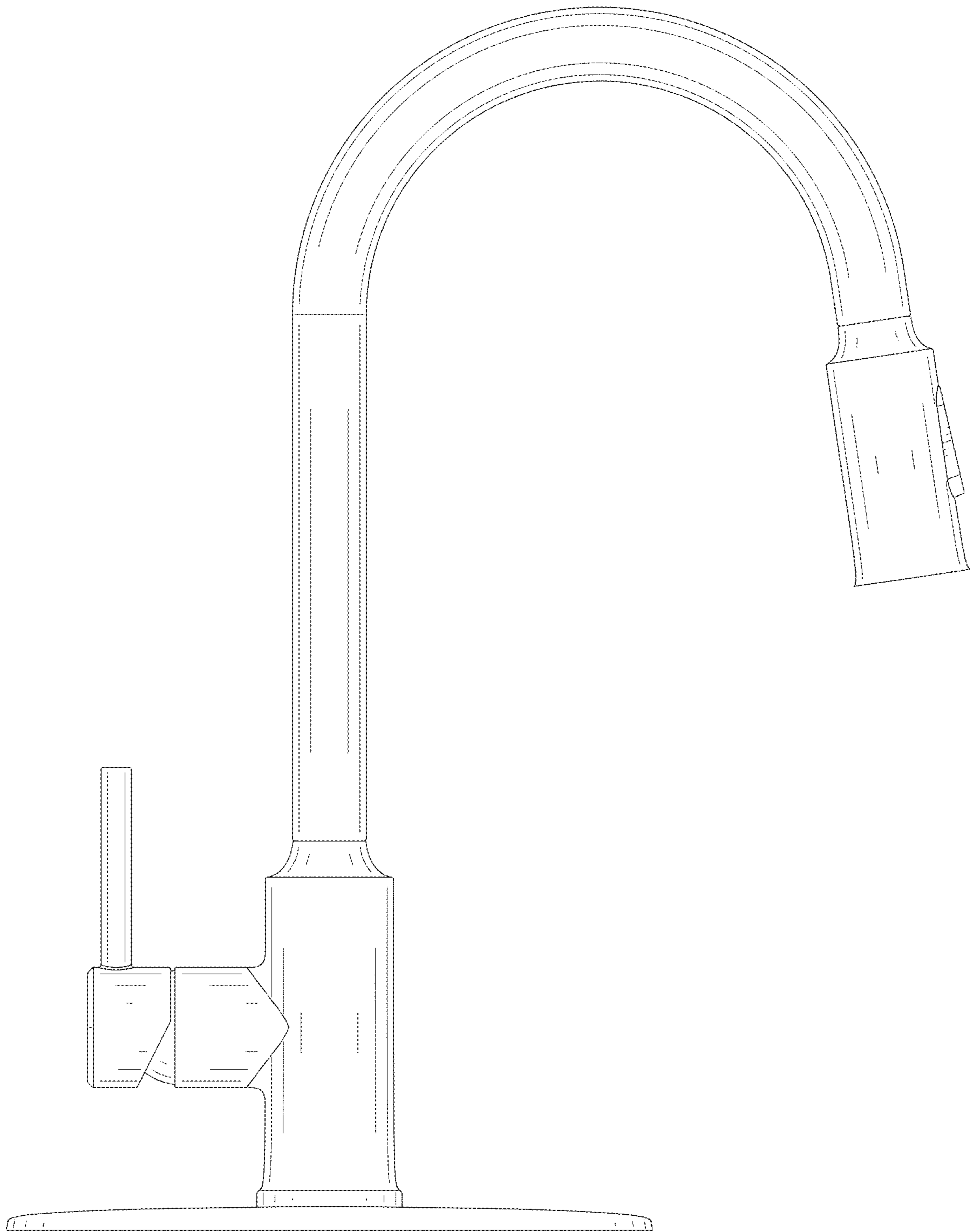


FIG.4

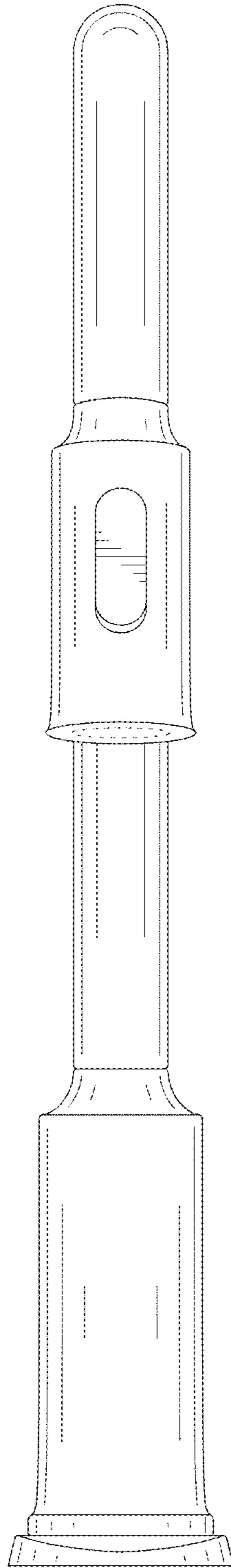


FIG.5

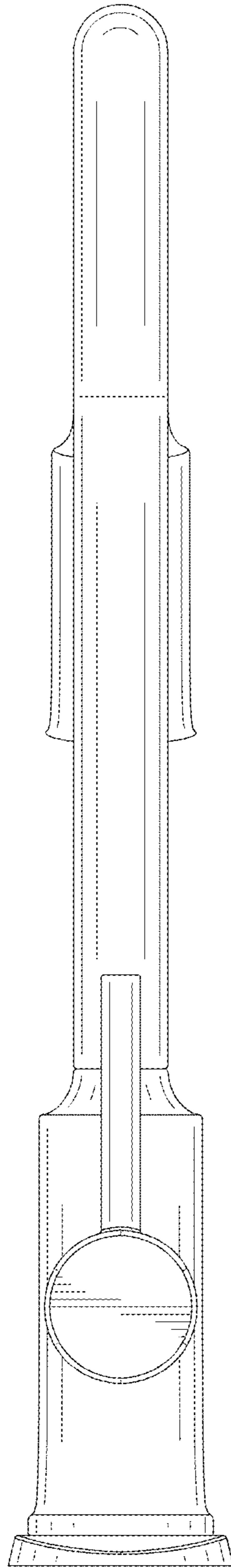


FIG.6

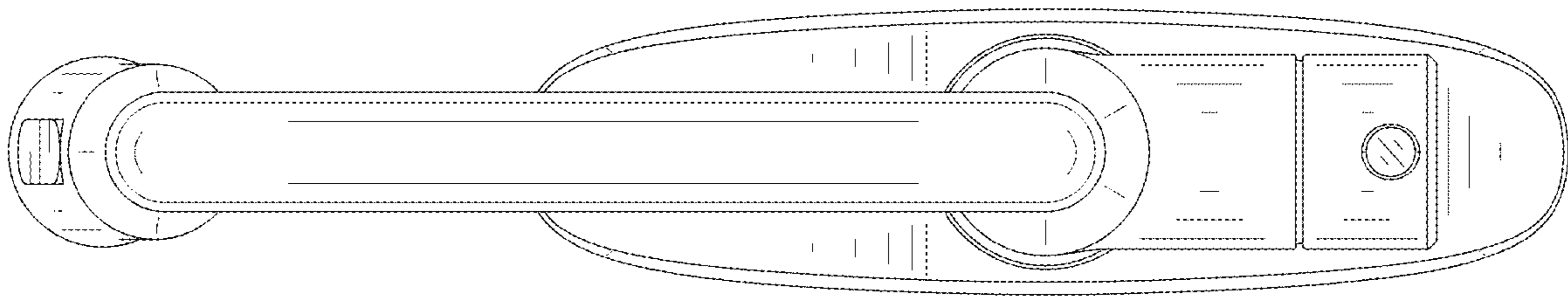


FIG.7

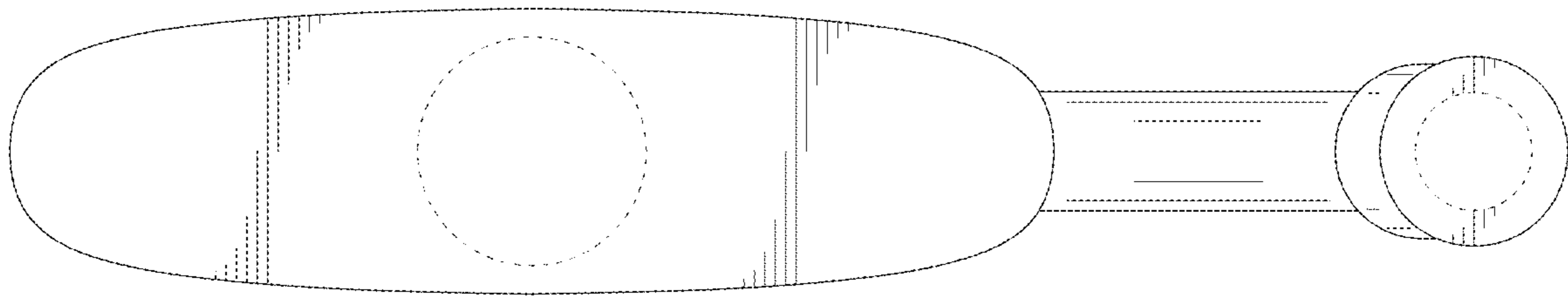


FIG.8