



US00D919051S

(12) **United States Design Patent** (10) **Patent No.:** **US D919,051 S**
Zeng (45) **Date of Patent:** **** May 11, 2021**

(54) **FAUCET**

D863,505 S * 10/2019 Zeng D23/238
D890,887 S * 7/2020 Levi D23/255
2020/0048879 A1* 2/2020 Hadfield E03C 1/0404

(71) Applicant: **Foshan Shunde Yajiasi Kitchen Cabinet Co., Ltd., Foshan (CN)**

(72) Inventor: **Deju Zeng, Foshan (CN)**

(**) Term: **15 Years**

(21) Appl. No.: **29/705,404**

(22) Filed: **Sep. 11, 2019**

(51) **LOC (13) Cl.** **23-01**

(52) **U.S. Cl.**
USPC **D23/238**

(58) **Field of Classification Search**
USPC D23/238, 239, 240, 241, 242, 243, 249,
D23/250, 255, 256, 257; D6/524
CPC E03C 1/04; E03C 1/0401; E03C 1/0402;
E03C 1/0404; E03C 1/0405; E03C
1/0412; Y10T 137/9464
See application file for complete search history.

(56) **References Cited**

U.S. PATENT DOCUMENTS

D520,114 S *	5/2006	Starck	D23/238
D735,298 S *	7/2015	Eads	D23/238
D786,404 S *	5/2017	Kaule	D23/238
D802,720 S *	11/2017	Haug	D23/238
D844,109 S *	3/2019	Rexach	D23/238
D857,844 S *	8/2019	Levi	D23/238
D861,832 S *	10/2019	Zeng	D23/238
D862,647 S *	10/2019	Zeng	D23/238
D862,648 S *	10/2019	Zeng	D23/238
D862,652 S *	10/2019	Zeng	D23/238

OTHER PUBLICATIONS

Vesla Home Commercial Single Handle Pull Down Out Sprayer Spring Stainless Steel Kitchen Faucet, Brushed Nickel Kitchen Sink Faucet—Customer Review—“DarthWells” [Apr. 26, 2019] found online [Sep. 22, 2020]—<https://www.amazon.com/VESLA-HOME-Commercial-Sprayer-Stainless/dp/B07MJRQTPD#customerReviews>.*

* cited by examiner

Primary Examiner — John A Voytek
(74) *Attorney, Agent, or Firm* — Novoclaims Patent Services LLC; Mei Lin Wong

(57) **CLAIM**

The ornamental design for a faucet, as shown and described.

DESCRIPTION

FIG. 1 is a front perspective view of a faucet, showing my new design.

FIG. 2 is a rear perspective view thereof.

FIG. 3 is a front elevational view thereof.

FIG. 4 is a rear elevational view thereof.

FIG. 5 is a left side elevational view thereof.

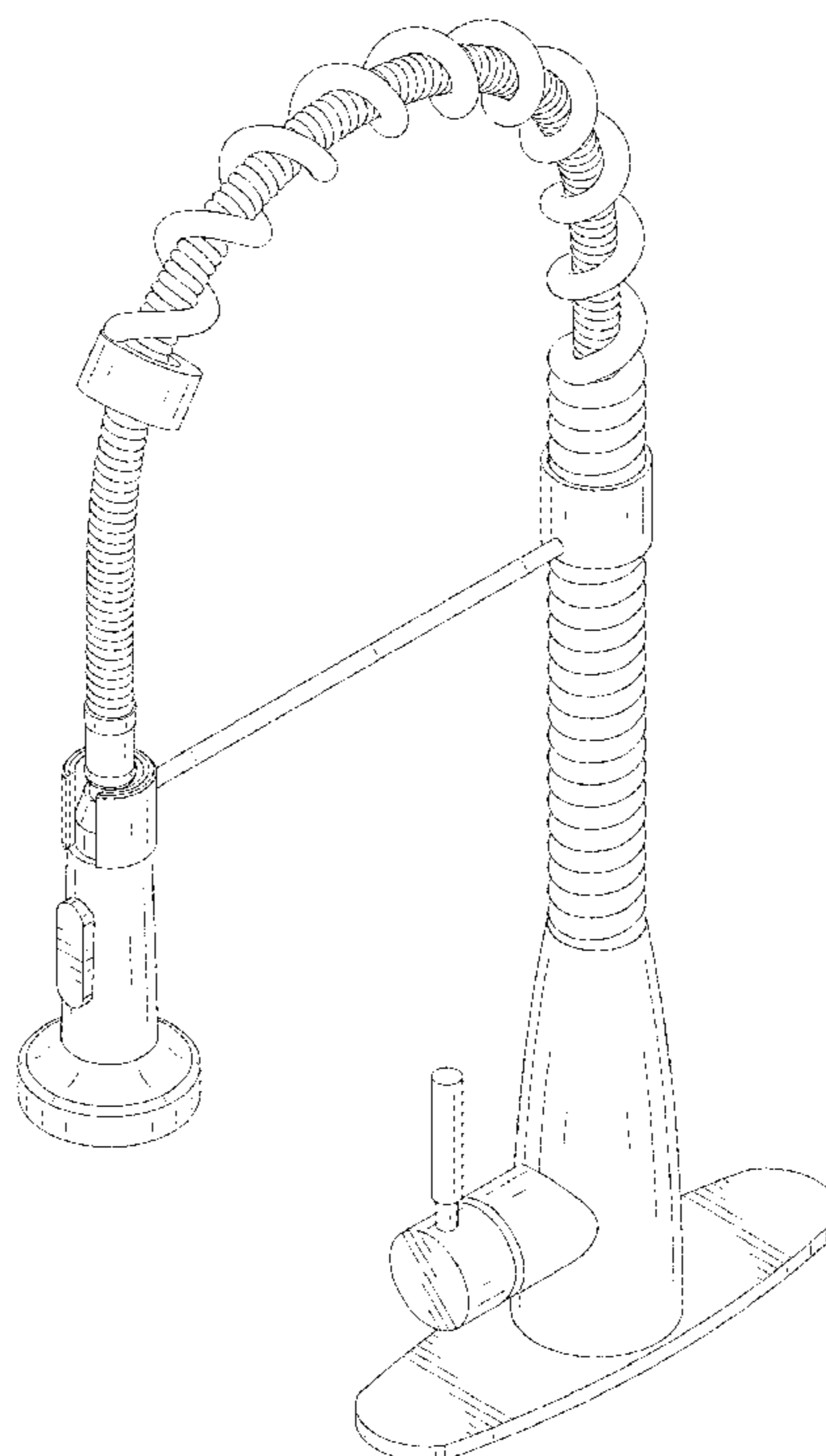
FIG. 6 is a right side elevational view thereof.

FIG. 7 is a top plan view thereof; and,

FIG. 8 is a bottom plan view thereof.

The broken lines in the drawings depict portions of the faucet and form no part of the claimed design.

1 Claim, 8 Drawing Sheets



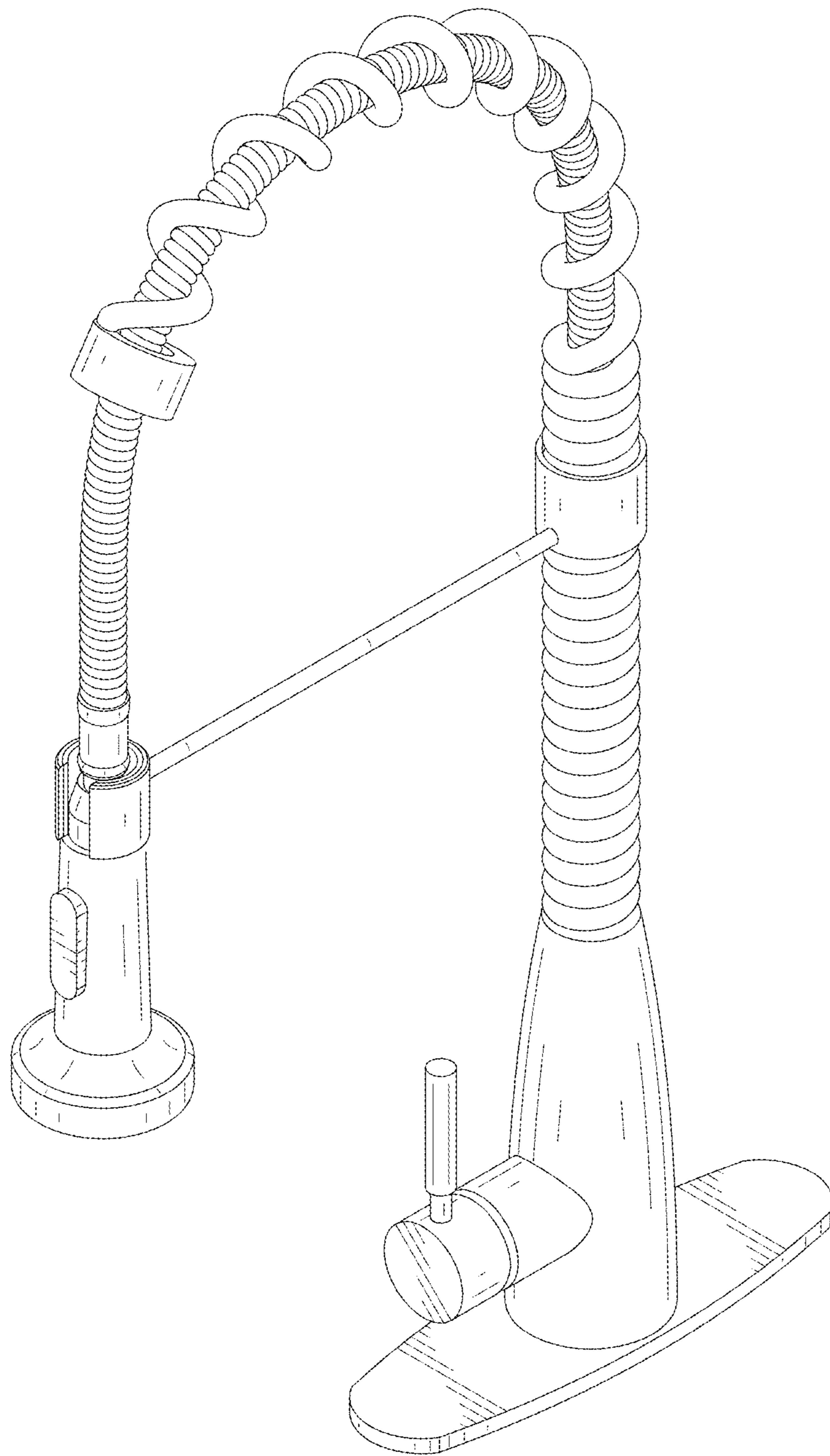


FIG. 1

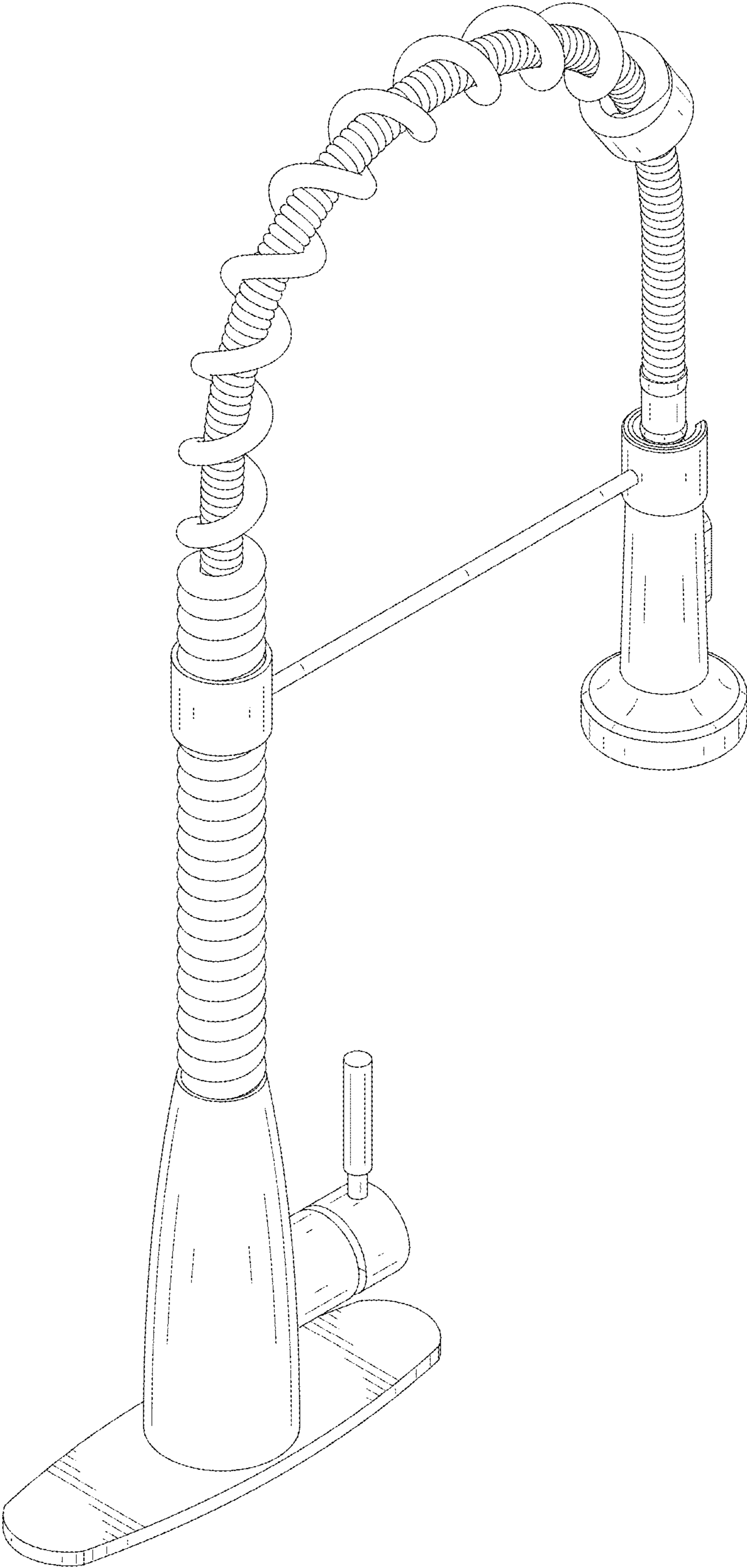


FIG.2

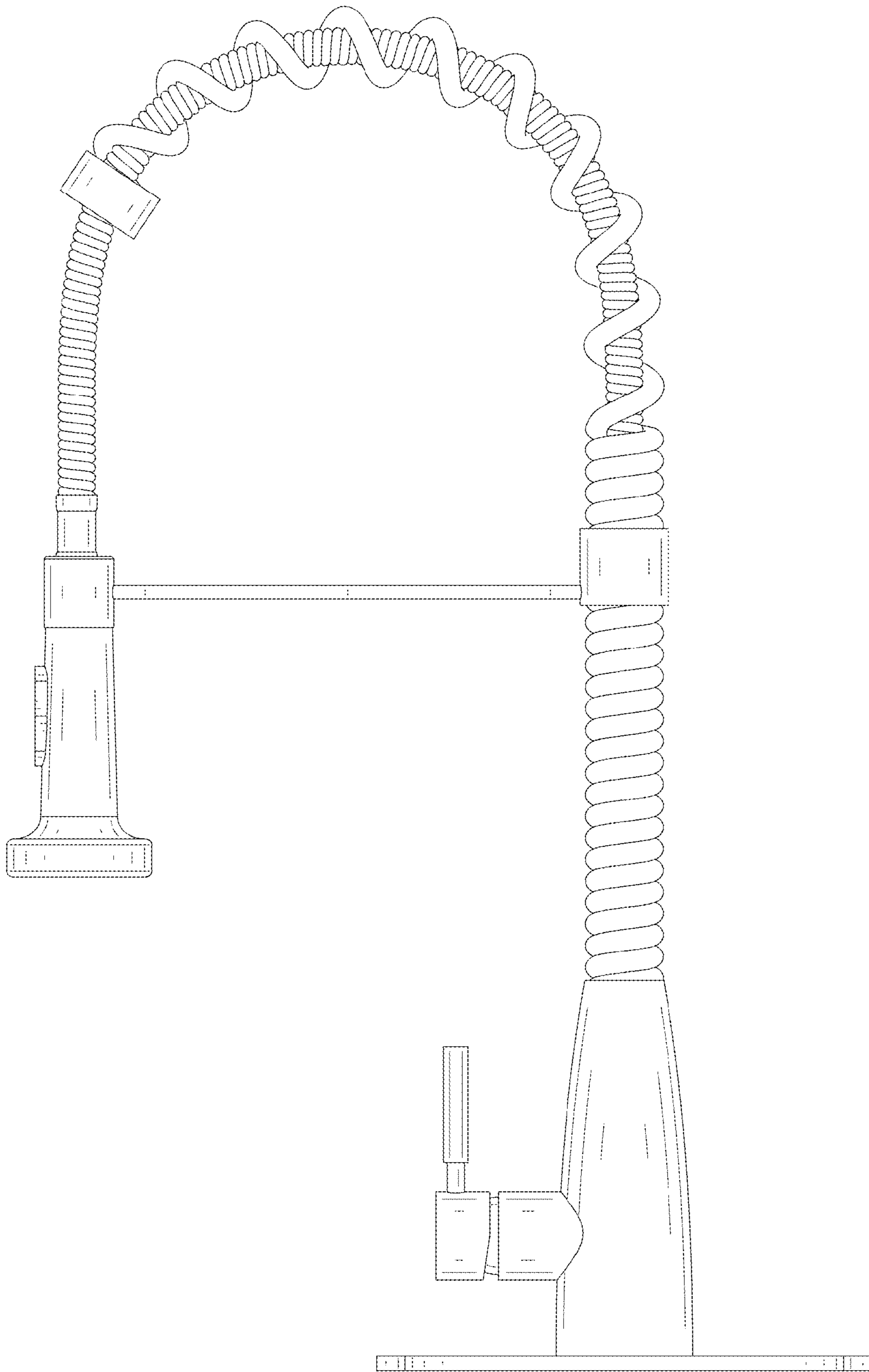


FIG.3

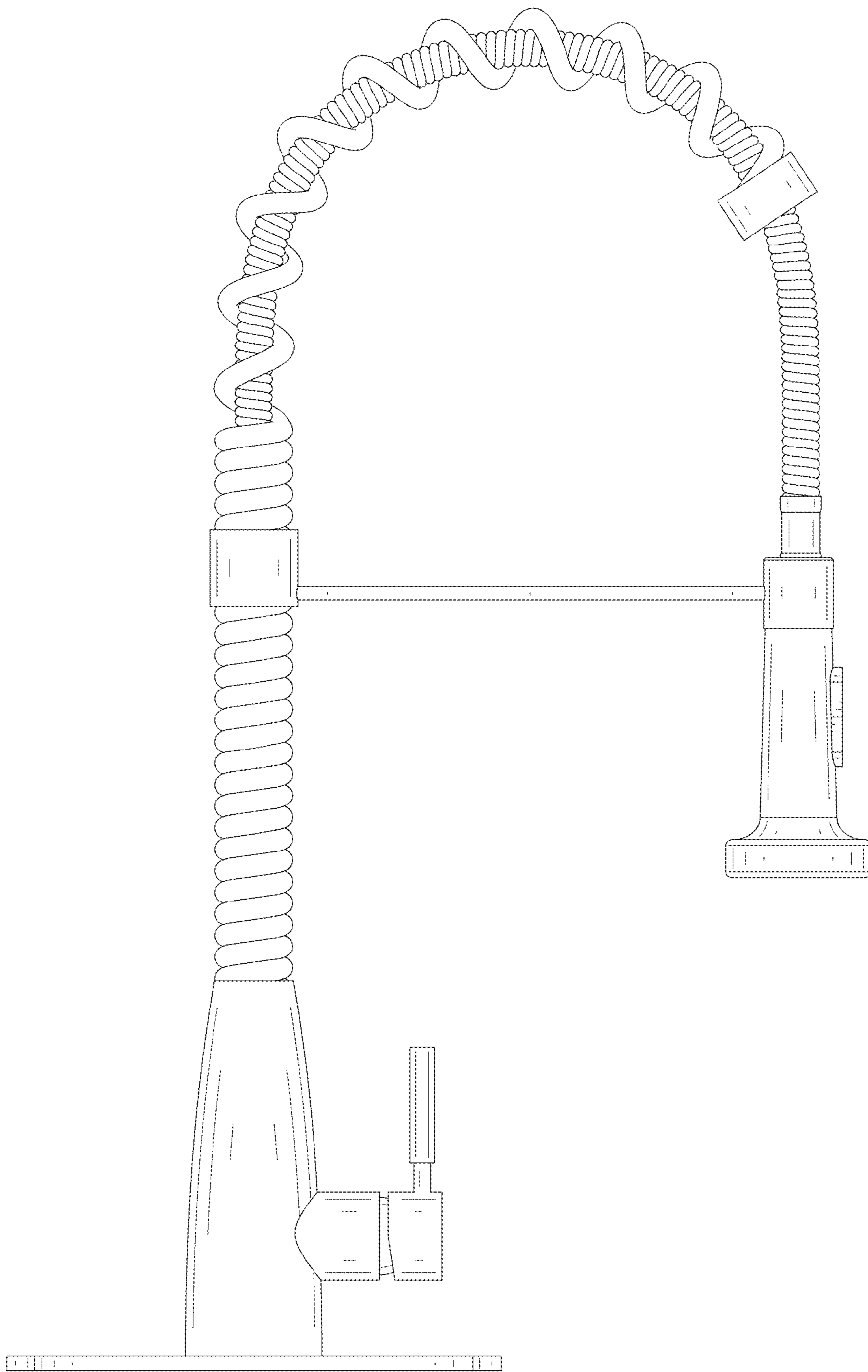


FIG.4

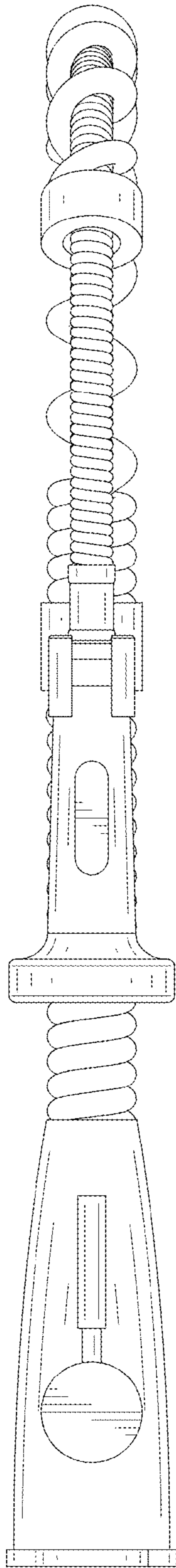


FIG.5

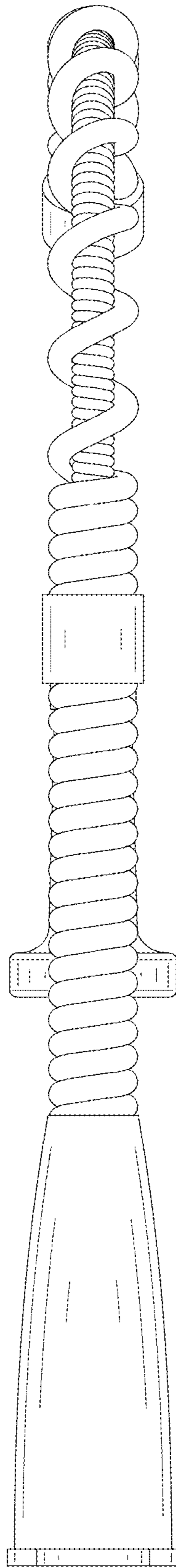


FIG.6

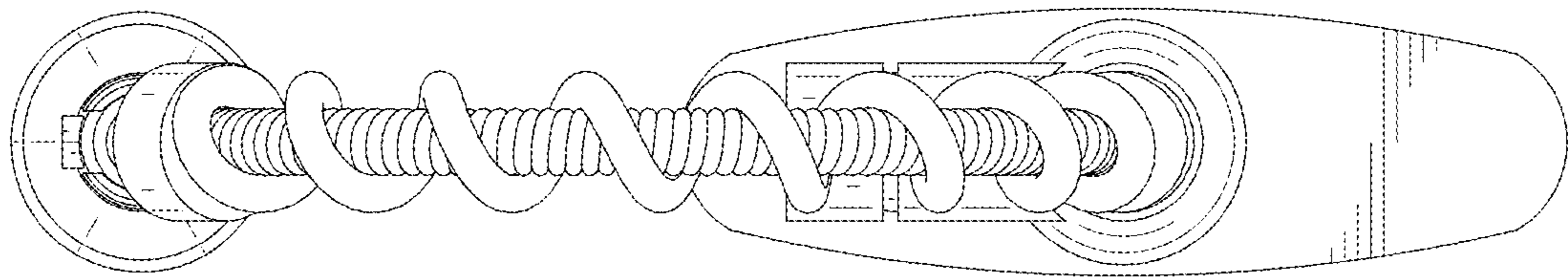


FIG.7

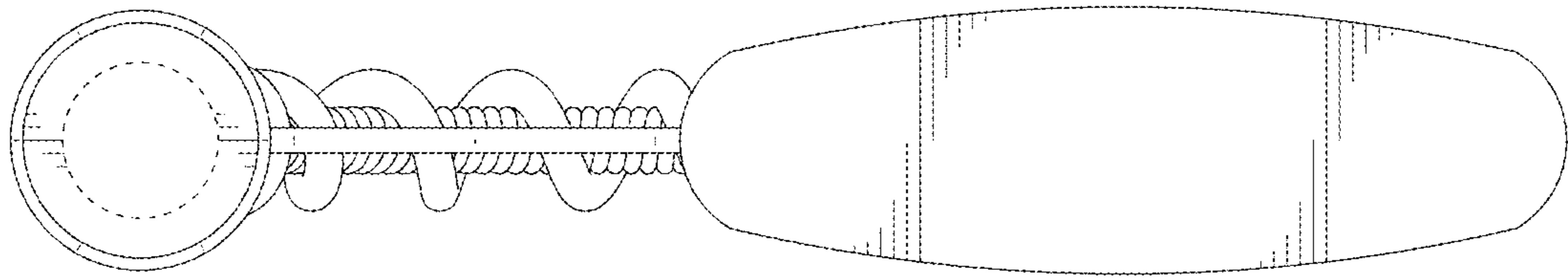


FIG.8