



US00D919048S

(12) **United States Design Patent**  
**Li et al.**

(10) **Patent No.:** **US D919,048 S**

(45) **Date of Patent:** **\*\* May 11, 2021**

(54) **ROUGH-IN VALVE**

D886,236 S \* 6/2020 Pfund ..... D23/233  
D891,583 S \* 7/2020 Li ..... D23/233  
10,724,649 B2 \* 7/2020 Ye ..... F16K 11/074

(71) Applicant: **AS America, Inc.**, Piscataway, NJ (US)

\* cited by examiner

(72) Inventors: **Hsiao Chang Li**, Edison, NJ (US);  
**Walter Pitsch**, Washington, NJ (US)

*Primary Examiner* — George D. Kirschbaum

*Assistant Examiner* — Maria J. Edwards

(73) Assignee: **AS America, Inc.**, Piscataway, NJ (US)

(74) *Attorney, Agent, or Firm* — Tyler A. Stevenson;  
Anna-lisa L Gallo

(\*\*) Term: **15 Years**

(21) Appl. No.: **29/760,387**

(22) Filed: **Dec. 1, 2020**

(57) **CLAIM**

**Related U.S. Application Data**

We claim the ornamental design for a rough-in valve, as shown and described.

(63) Continuation of application No. 29/721,809, filed on Jan. 23, 2020, which is a continuation of application No. 29/647,064, filed on May 9, 2018, now Pat. No. Des. 876,585.

**DESCRIPTION**

(51) **LOC (13) Cl.** ..... **23-01**

(52) **U.S. Cl.**  
USPC ..... **D23/233**

(58) **Field of Classification Search**  
USPC ..... D23/233  
CPC ..... E03B 7/09; F16K 19/006  
See application file for complete search history.

FIG. 1 is a front, top, left side perspective view of a rough-in valve showing our new design;  
FIG. 2 is a rear, bottom, right side perspective view thereof;  
FIG. 3 is a front view thereof;  
FIG. 4 is a rear view thereof;  
FIG. 5 is a right side view thereof;  
FIG. 6 is a left side view thereof;  
FIG. 7 is a top view thereof; and,  
FIG. 8 is a bottom view thereof.

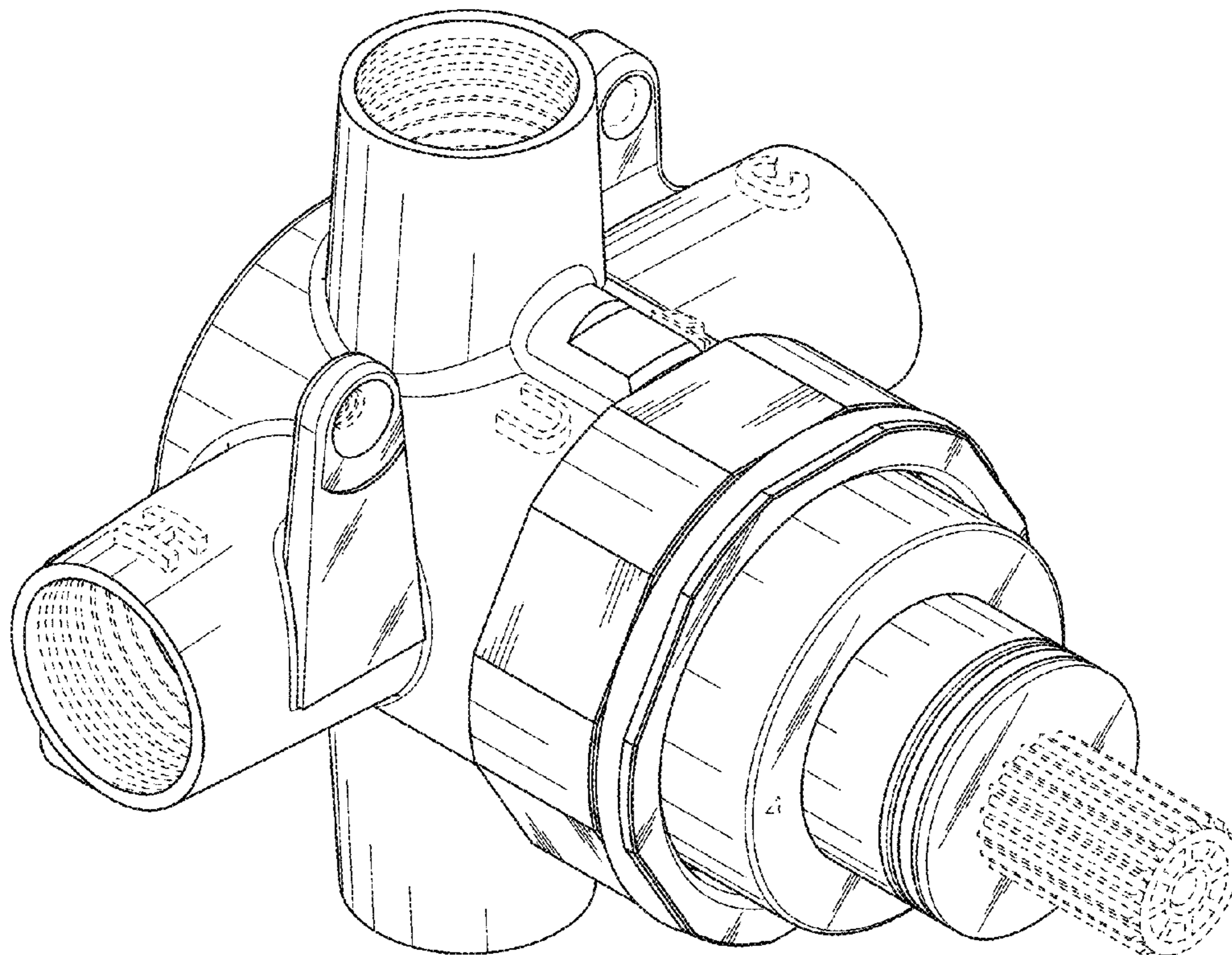
(56) **References Cited**

**U.S. PATENT DOCUMENTS**

Broken lines of the disclosure represent portions of the rough-in valve that form no part of the claimed design.

D876,585 S \* 2/2020 Li ..... D23/233  
10,557,771 B2 \* 2/2020 Chang ..... G01M 3/2876

**1 Claim, 8 Drawing Sheets**



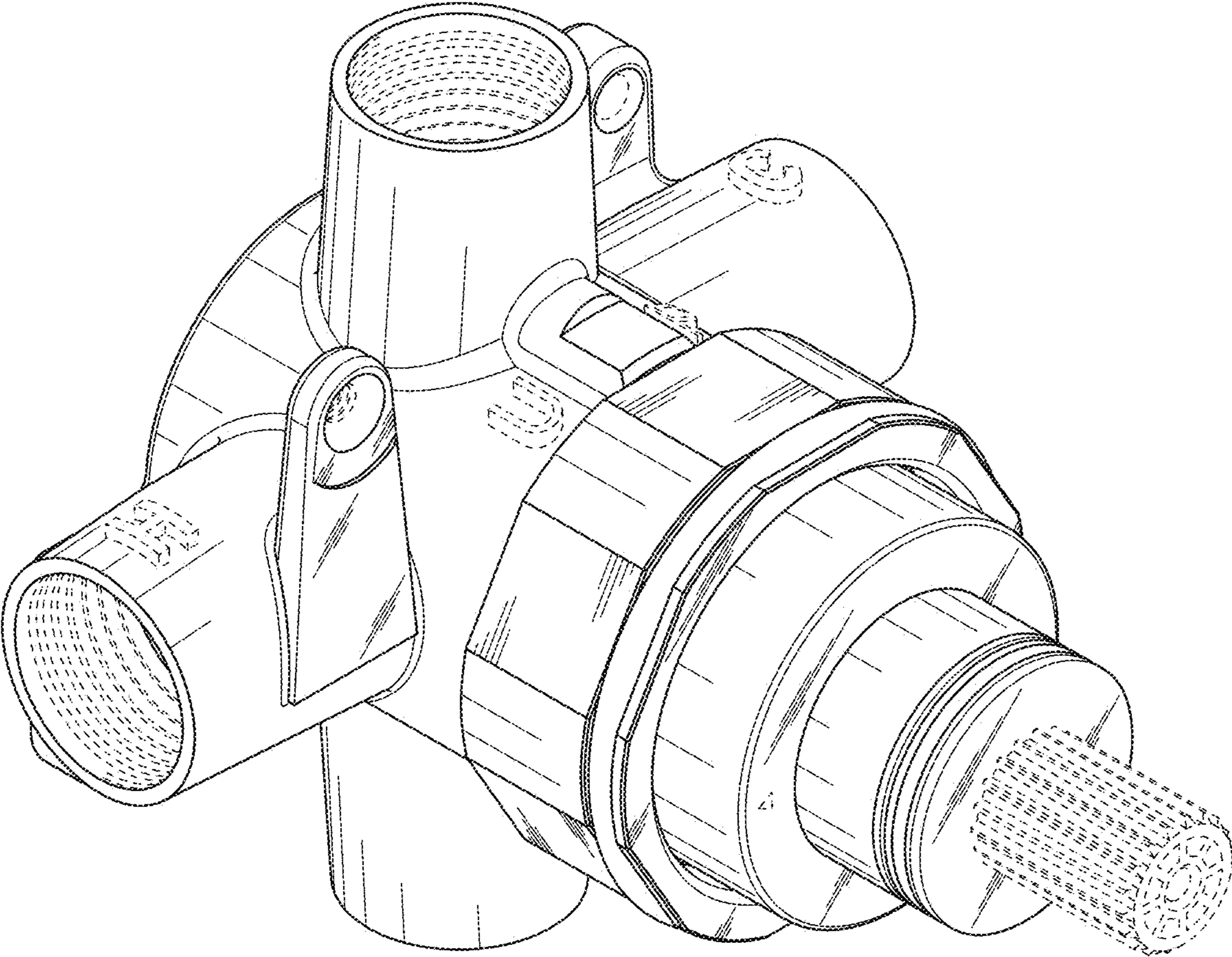


FIG. 1

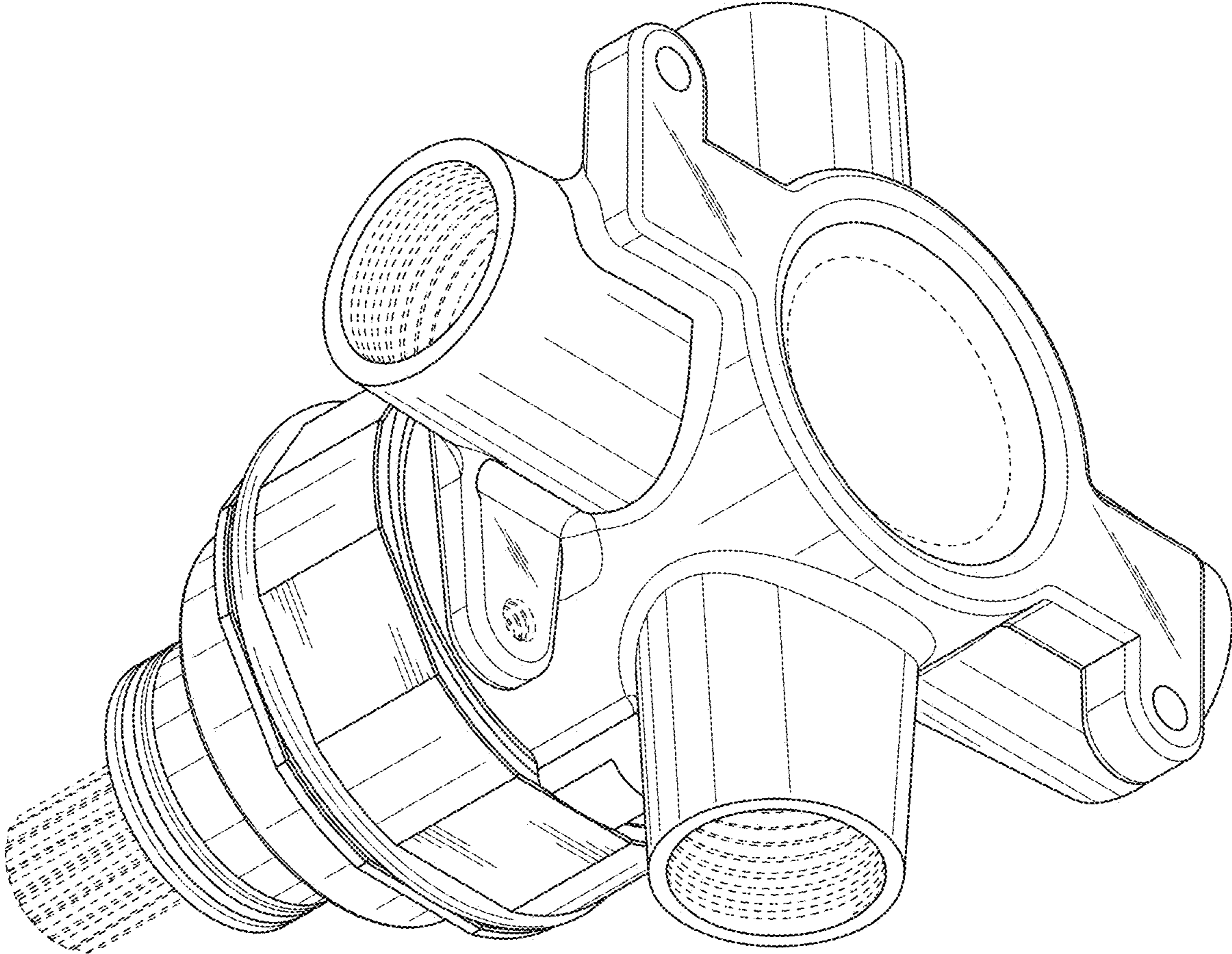


FIG. 2

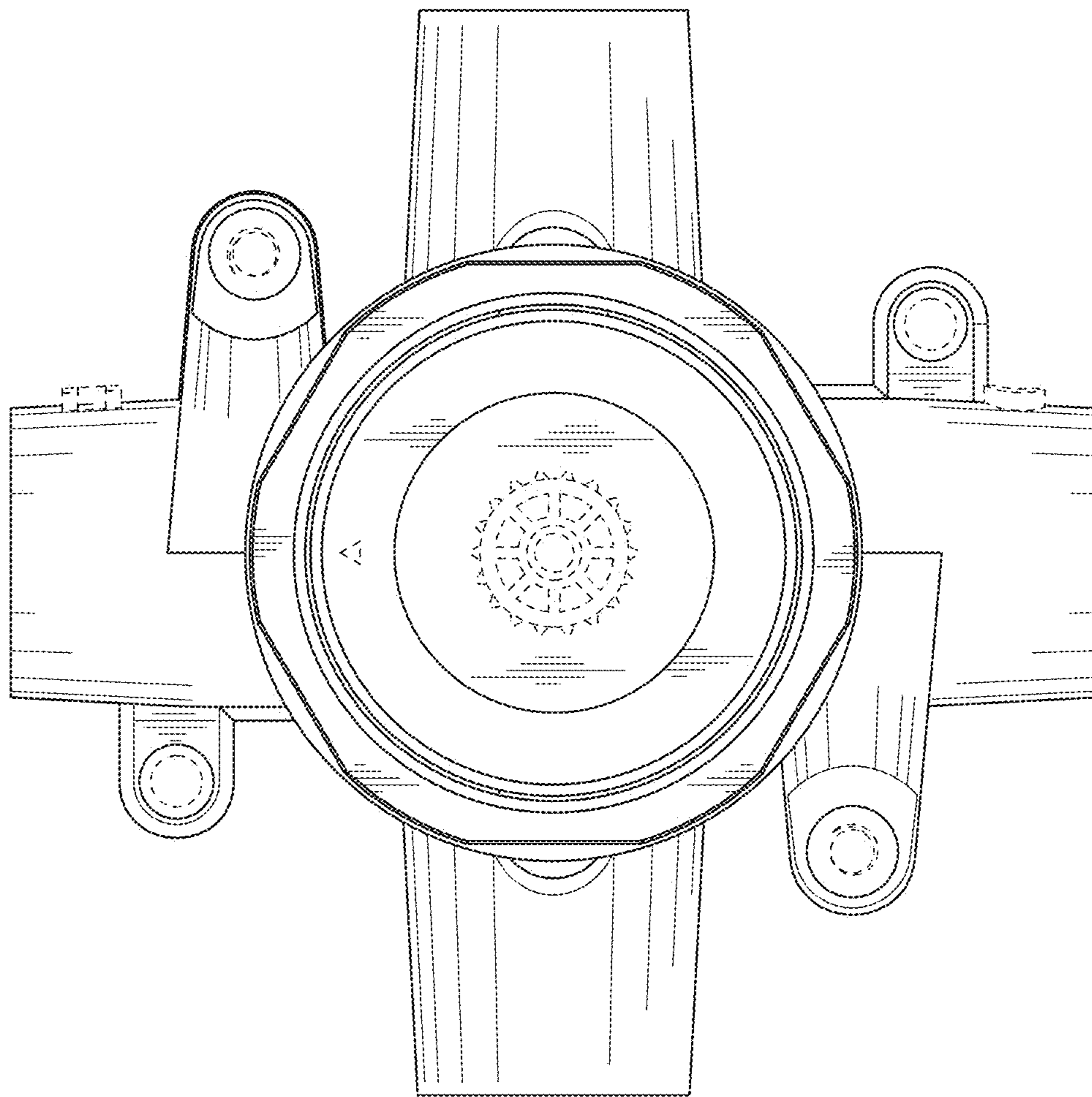


FIG. 3

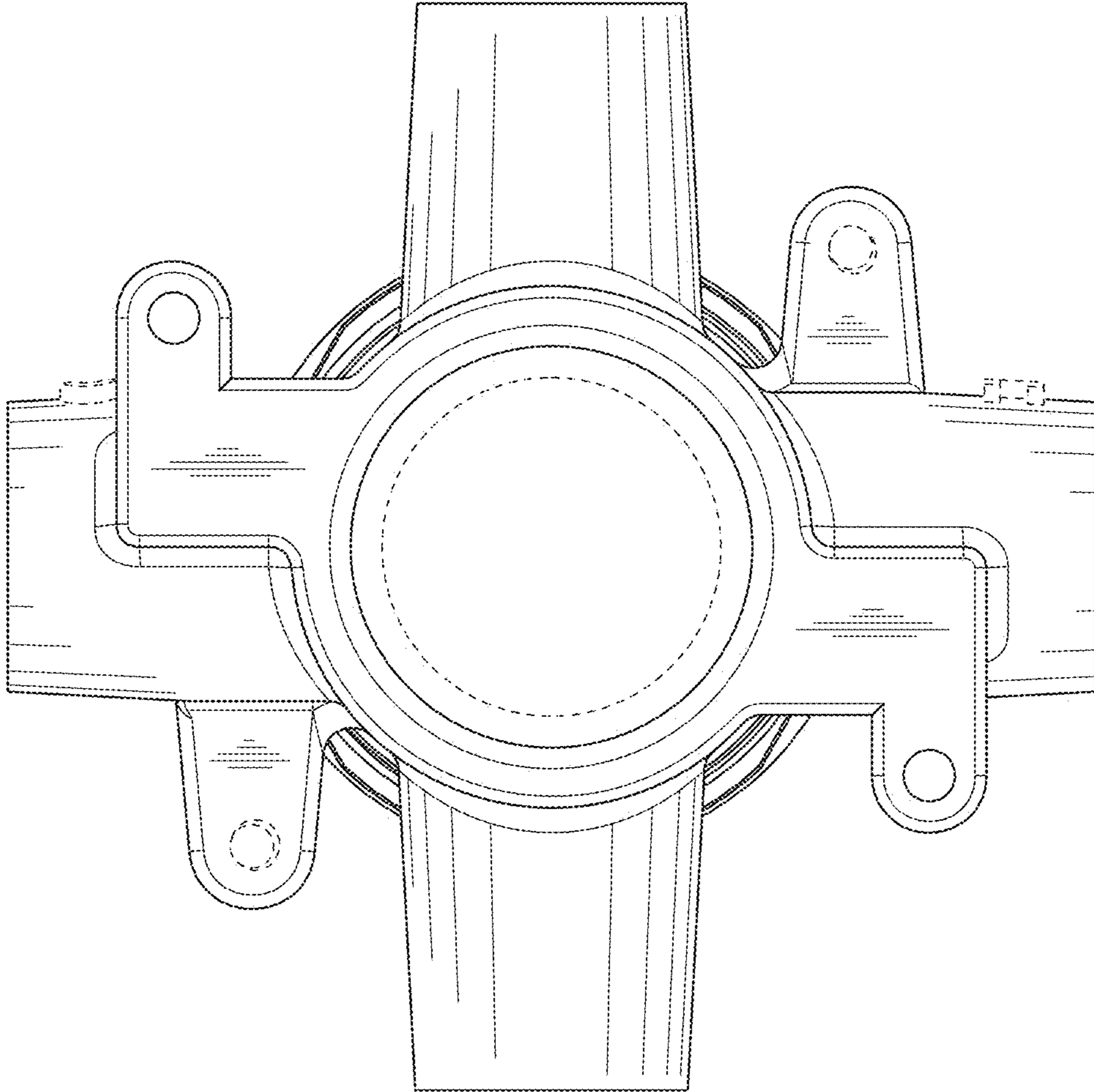


FIG. 4

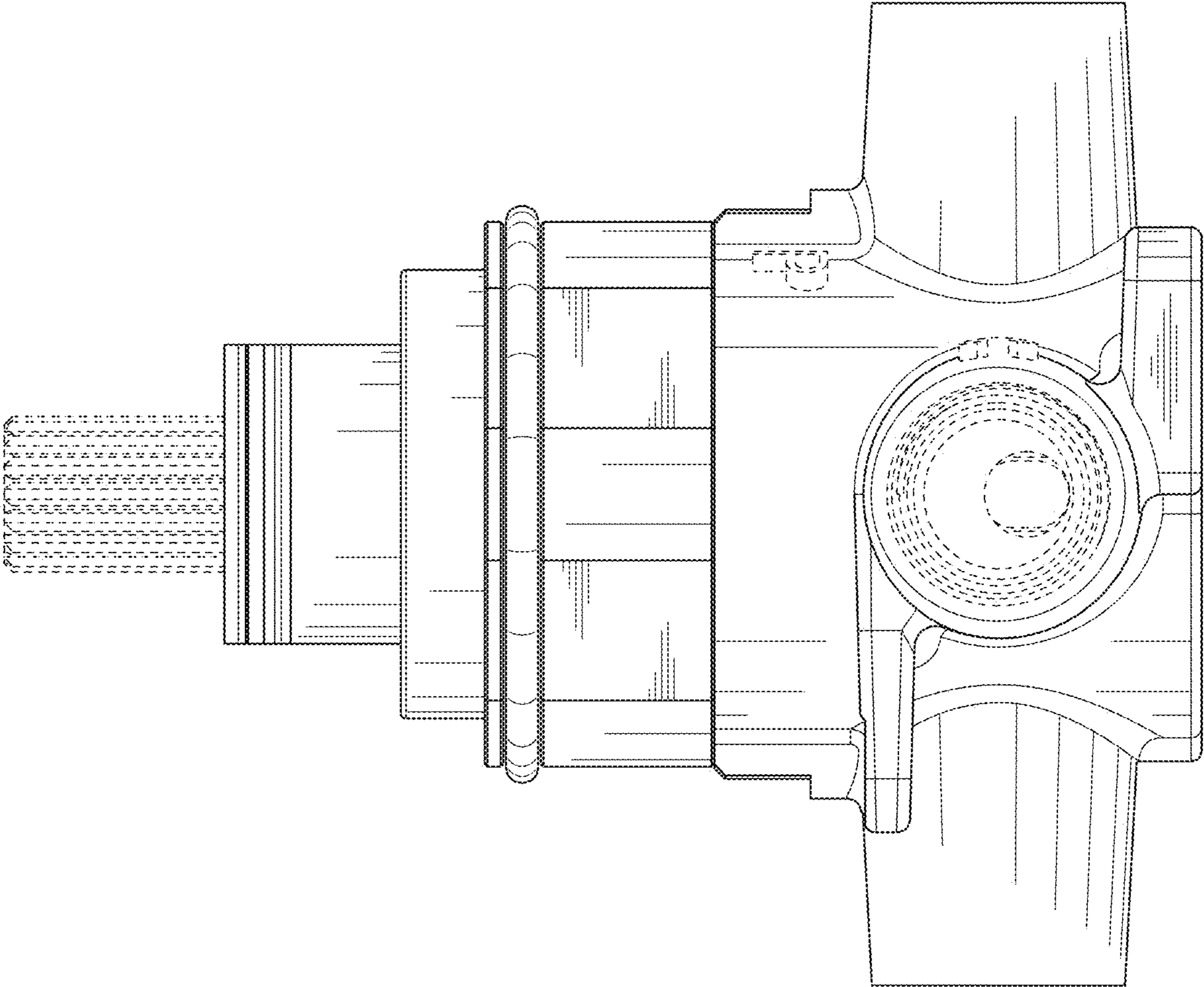


FIG. 5

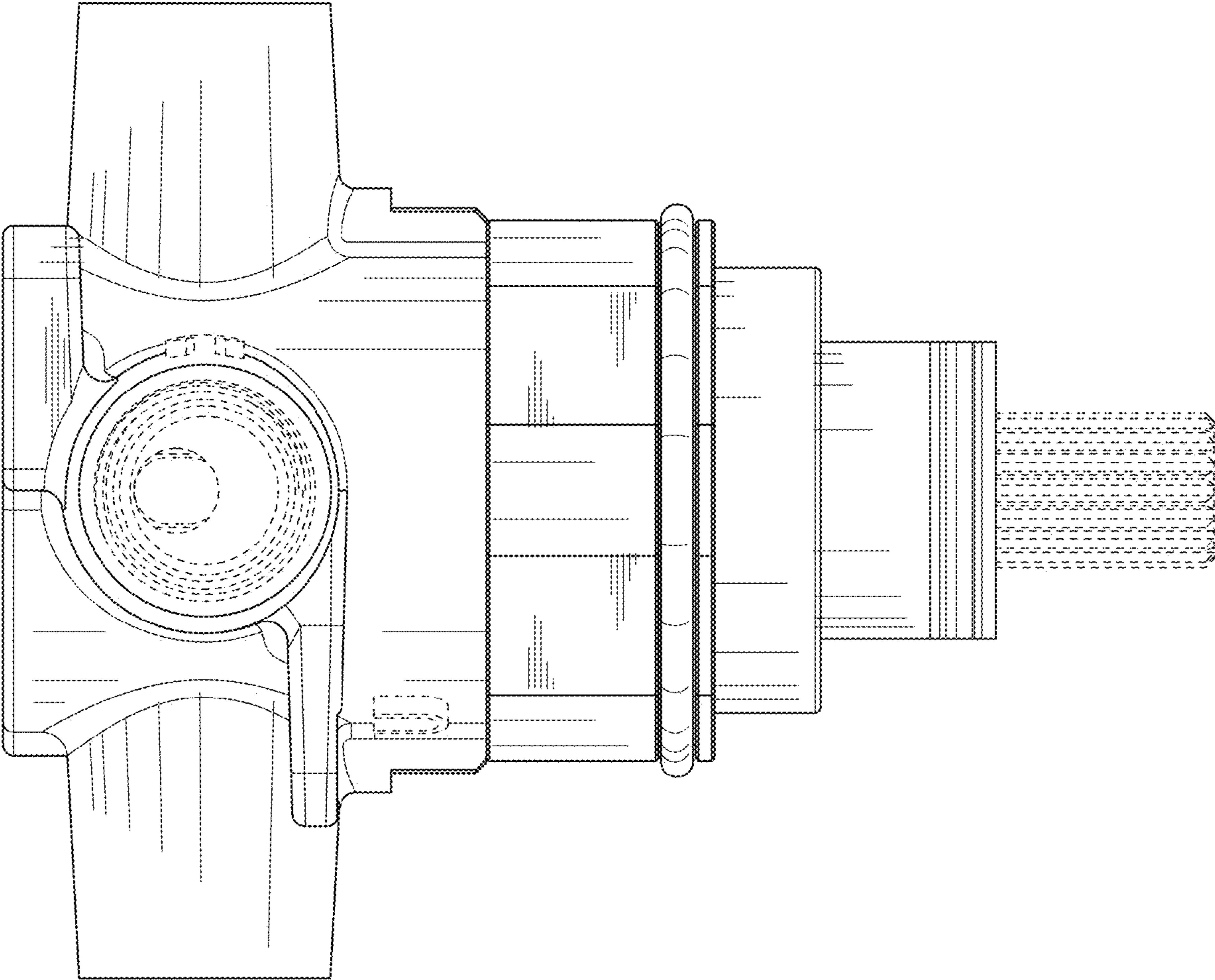


FIG. 6

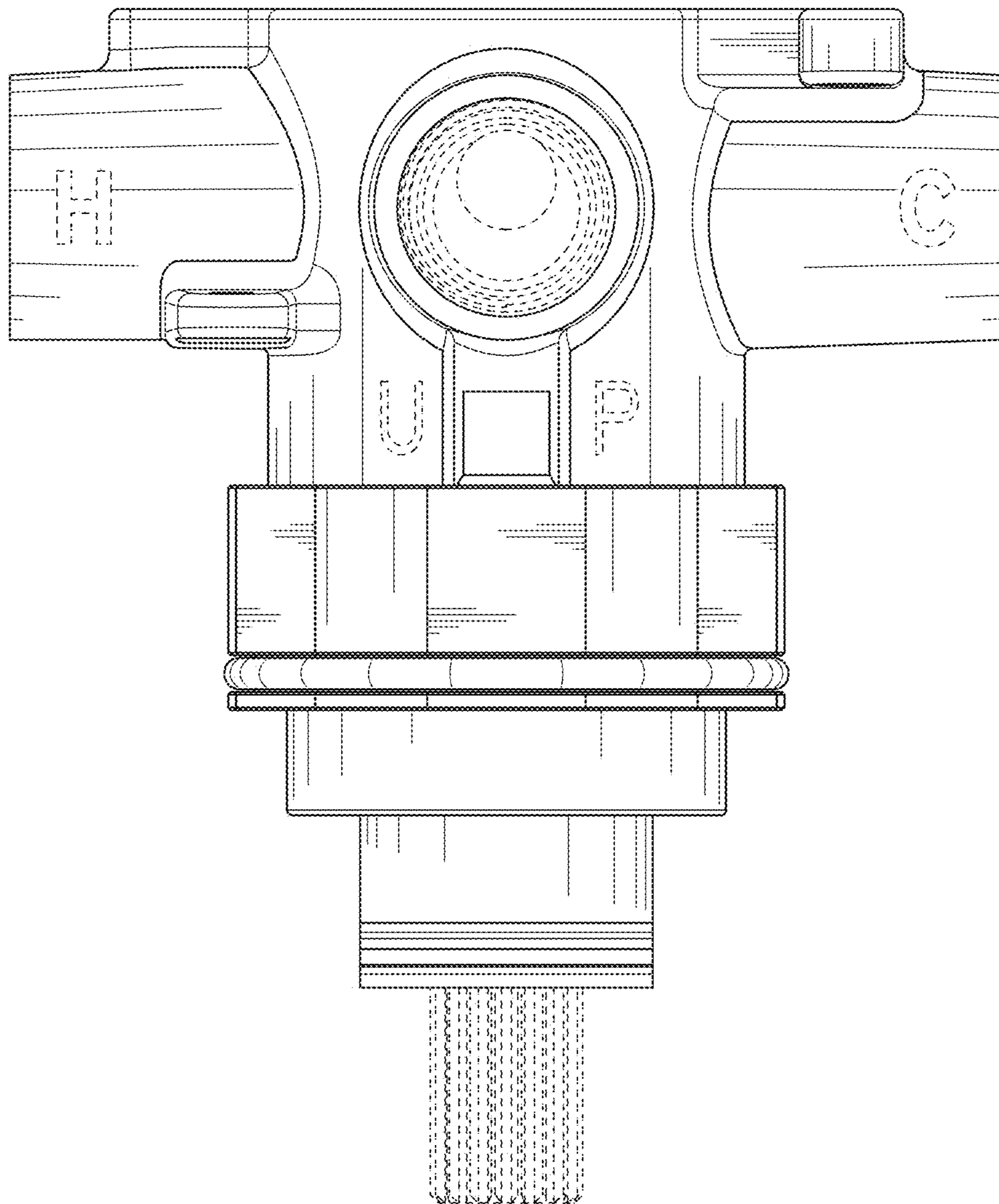


FIG. 7



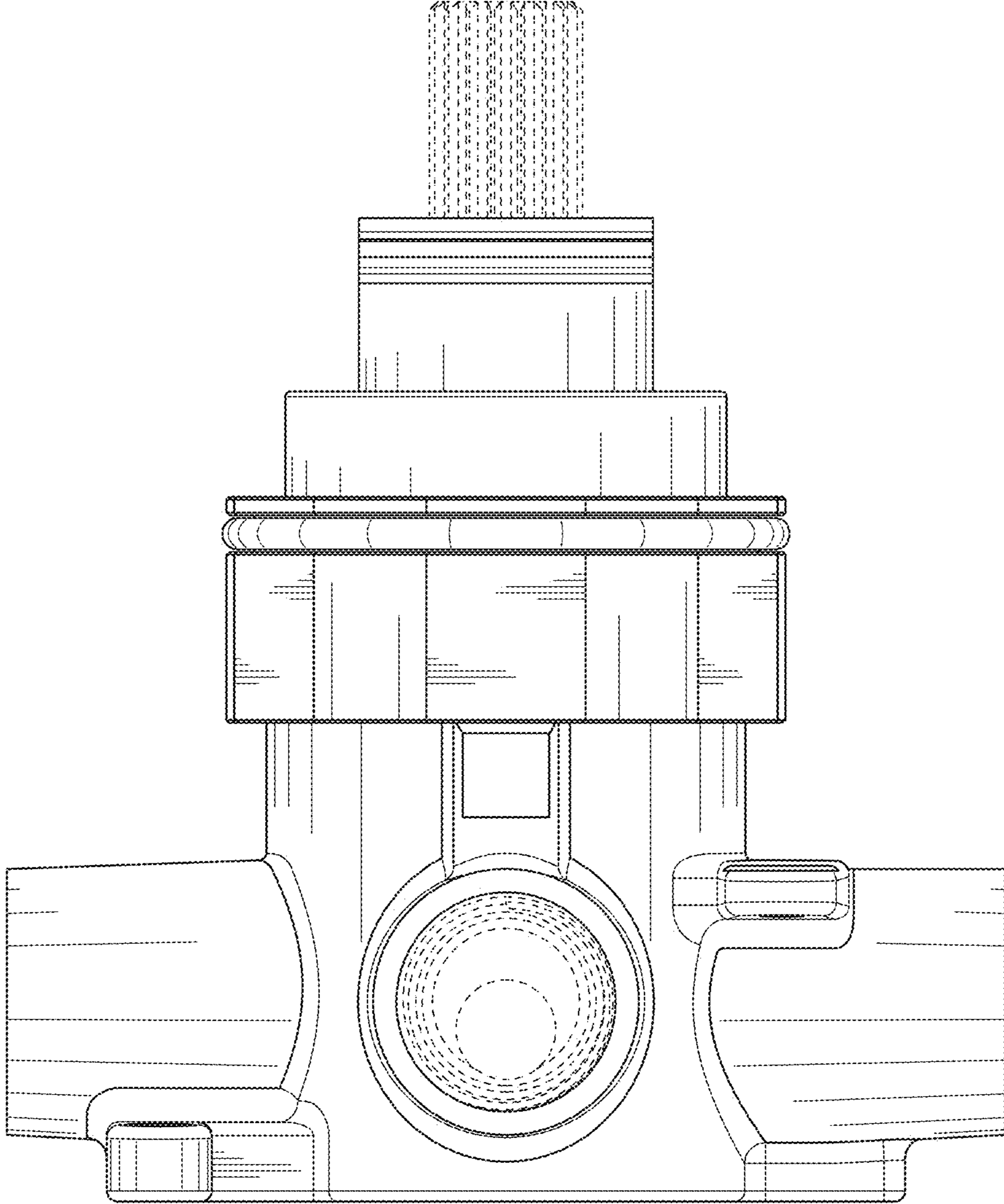


FIG. 8