



US00D919046S

(12) **United States Design Patent**  
**Urry**

(10) **Patent No.:** **US D919,046 S**

(45) **Date of Patent:** **\*\* May 11, 2021**

(54) **WATERING NOZZLE**

(71) Applicant: **Orbit Irrigation Products, LLC**, North Salt Lake, UT (US)

(72) Inventor: **Andrew Mark Urry**, Riverton, UT (US)

(73) Assignee: **Orbit Irrigation Products, LLC**, North Salt Lake, UT (US)

(\*\*) Term: **15 Years**

(21) Appl. No.: **29/698,111**

(22) Filed: **Jul. 15, 2019**

(51) **LOC (13) Cl.** ..... **23-01**

(52) **U.S. Cl.**  
USPC ..... **D23/226**

(58) **Field of Classification Search**  
USPC ..... D8/2; D23/213, 223, 224, 226, 229, 230  
  
CPC ..... B05B 1/16; B05B 9/01; B05B 12/002;  
B05B 12/0022; B05B 12/0024; B05B  
12/0026; B05B 15/63; B25G 1/10; A01M  
7/0046

See application file for complete search history.

(56) **References Cited**

**U.S. PATENT DOCUMENTS**

D369,207 S \* 4/1996 Wang ..... D23/223  
7,124,965 B1 \* 10/2006 Chen ..... A62C 31/02  
239/525  
7,195,181 B2 \* 3/2007 Steingass ..... B05B 1/304  
169/14

(Continued)

**OTHER PUBLICATIONS**

“Utensilux Heavy Duty Adjustable Fireman Garden Hose Nozzle”  
Jun. 10, 2018, Amazon, Site visited Dec. 23, 2020: <https://www.amazon.ca/dp/B07BC57CXR/> (Year: 2018).\*

(Continued)

*Primary Examiner* — Jack Reickel

*Assistant Examiner* — Bobby W Jones, II

(74) *Attorney, Agent, or Firm* — Austin Rapp

(57) **CLAIM**

The ornamental design for a watering nozzle, as shown and described.

**DESCRIPTION**

FIG. 1 is a first top perspective view of a watering nozzle, according to my new design;

FIG. 2 is a second top perspective view of the watering nozzle;

FIG. 3 is a first bottom perspective view of the watering nozzle;

FIG. 4 is a second bottom perspective view of the watering nozzle;

FIG. 5 is a front side elevational view of the watering nozzle;

FIG. 6 is a rear side elevational view of the watering nozzle;

FIG. 7 is a top view of the watering nozzle;

FIG. 8 is a bottom view of the watering nozzle;

FIG. 9 is a right side elevational view of the watering nozzle;

FIG. 10 is a left side elevational view of the watering nozzle;

FIG. 11 is a left side elevational view of the watering nozzle in a first alternate position;

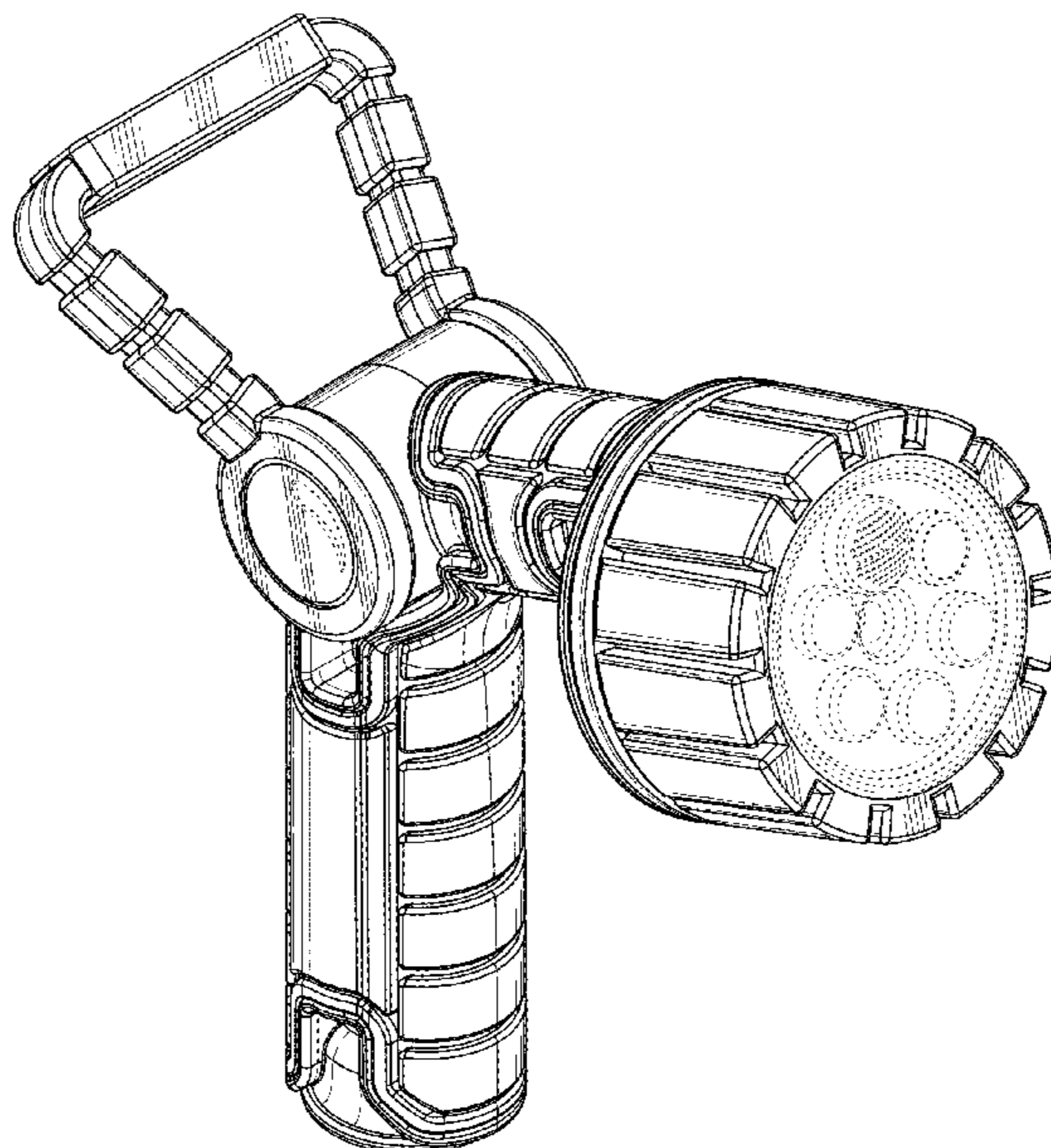
FIG. 12 is a left side elevational view of the watering nozzle in a second alternate position;

FIG. 13 is a left side elevational view of the watering nozzle in a third alternate position; and,

FIG. 14 is a left side elevational view of the watering nozzle in a fourth alternate position.

The broken lines in the figures are included for the purpose of illustrating unclaimed portions of the watering nozzle and form no part of the claimed design.

**1 Claim, 14 Drawing Sheets**



(56)

**References Cited**

U.S. PATENT DOCUMENTS

7,328,860 B1 \* 2/2008 Chen ..... B05B 1/3026  
 137/625.31  
 8,950,693 B2 \* 2/2015 Hsieh ..... B05B 9/01  
 239/526  
 D726,872 S \* 4/2015 Thurgood ..... D23/223  
 D767,091 S \* 9/2016 Chen ..... D23/223  
 D767,093 S 9/2016 Chen  
 9,707,573 B1 \* 7/2017 Huang ..... B05B 12/002  
 9,861,992 B1 \* 1/2018 Chen ..... B05B 9/01  
 D821,544 S \* 6/2018 Urry ..... D23/223  
 D822,160 S \* 7/2018 Urry ..... D23/223  
 D824,486 S 7/2018 Urry  
 2010/0282870 A1 \* 11/2010 Chen ..... B25G 3/20  
 239/525  
 2011/0220738 A1 \* 9/2011 Cheng ..... B05B 1/3026  
 239/526

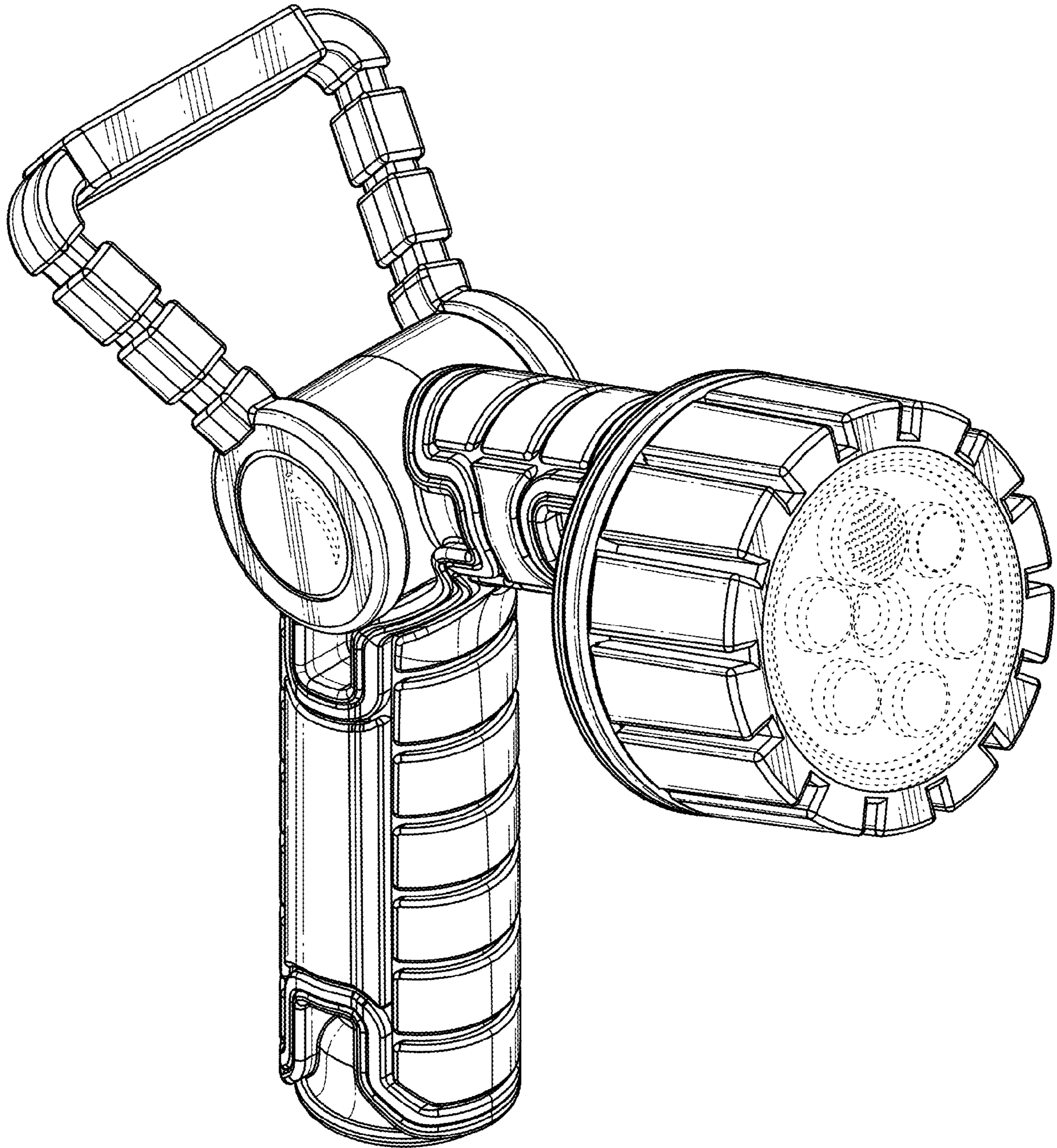
OTHER PUBLICATIONS

“Bon-Aire UFHN1 PowerNozzle” Apr. 17, 2015, Amazon, Site visited Dec. 23, 2020: <https://www.amazon.ca/dp/B00IMVNBKOM/> (Year: 2015).\*

Orbit Irrigation Products, LLC, Product No. 27823 shown in attachment 1 was sold or offered at least by Mar. 31, 2016.

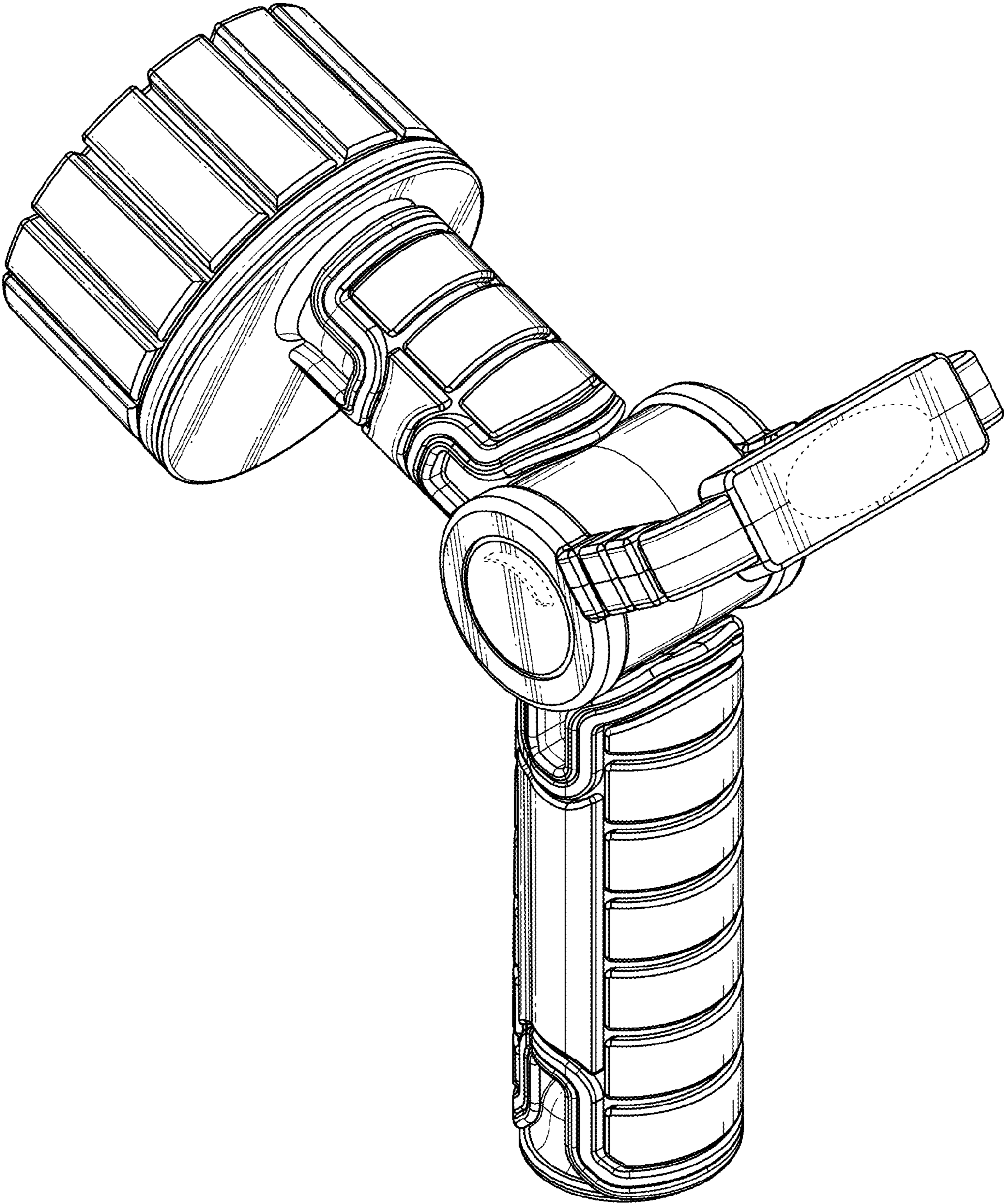
Orbit Irrigation Products, LLC, Product No. 58993 shown in attachment 2 was sold or offered at least by Feb. 26, 2016.

\* cited by examiner

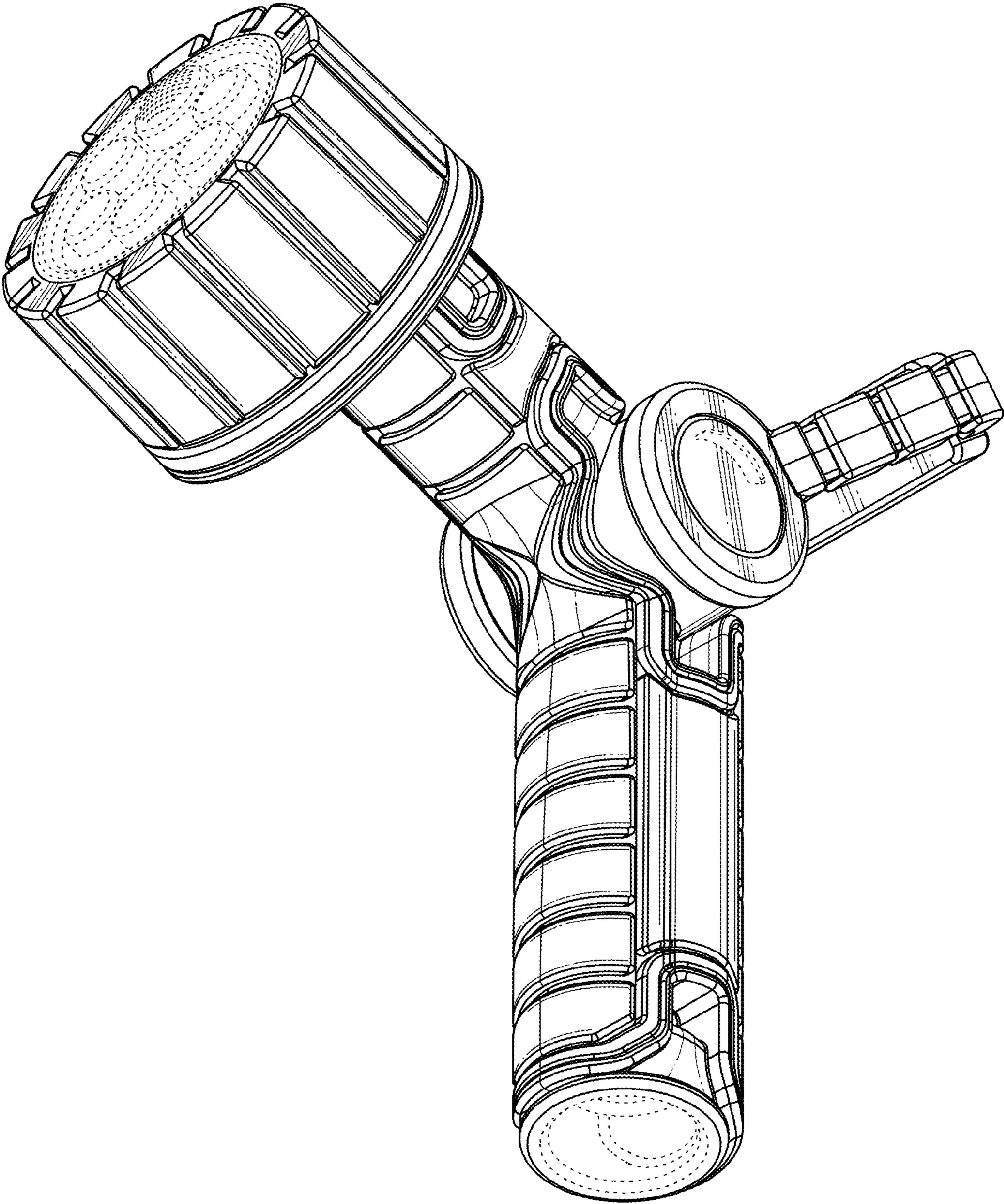


**Fig. 1**



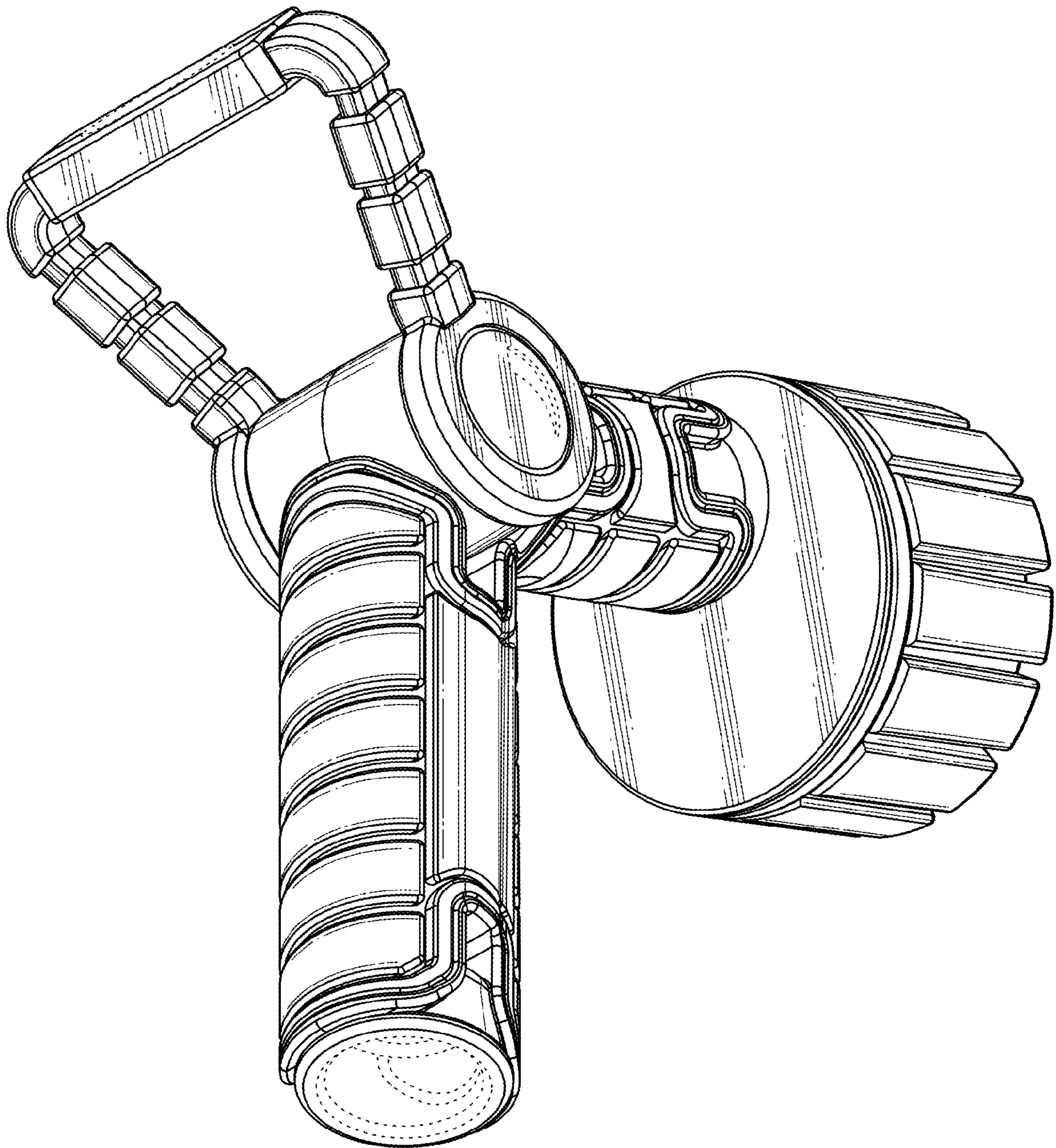


**Fig. 2**

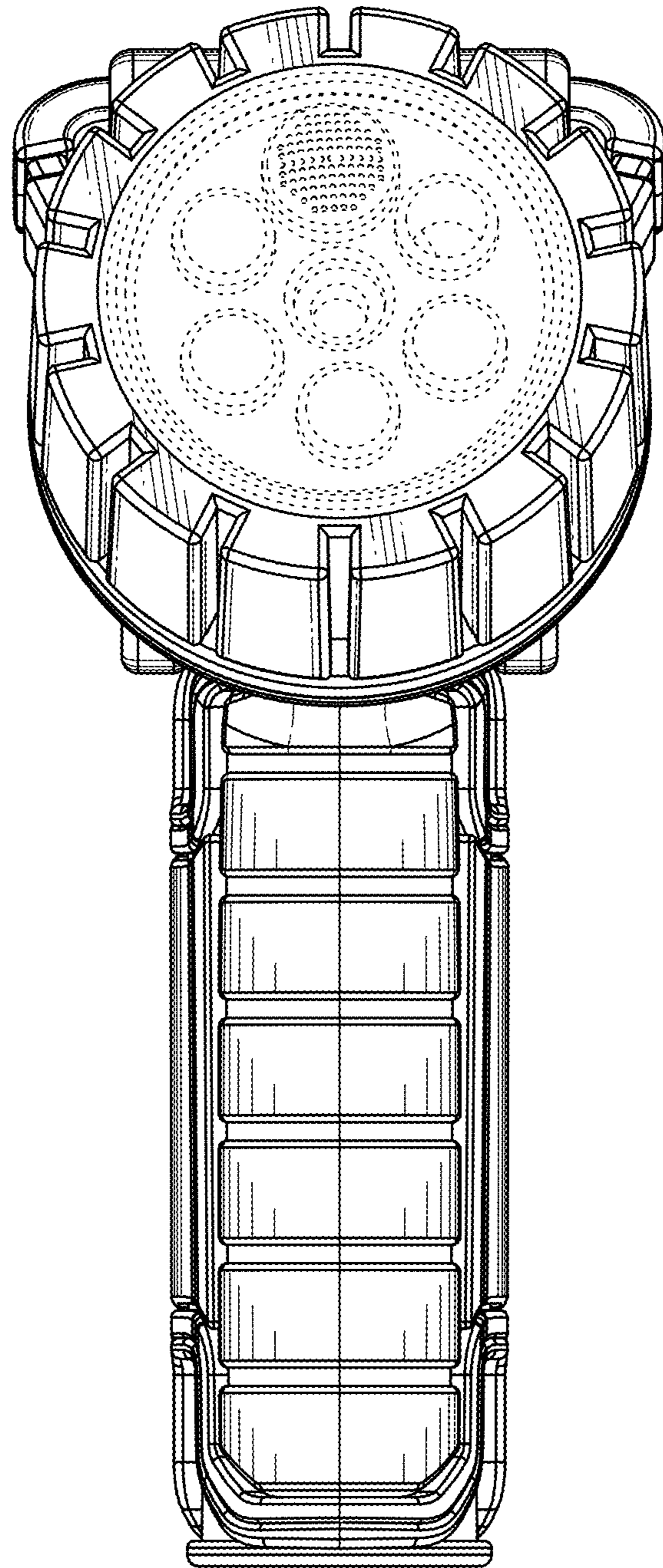


**Fig. 3**

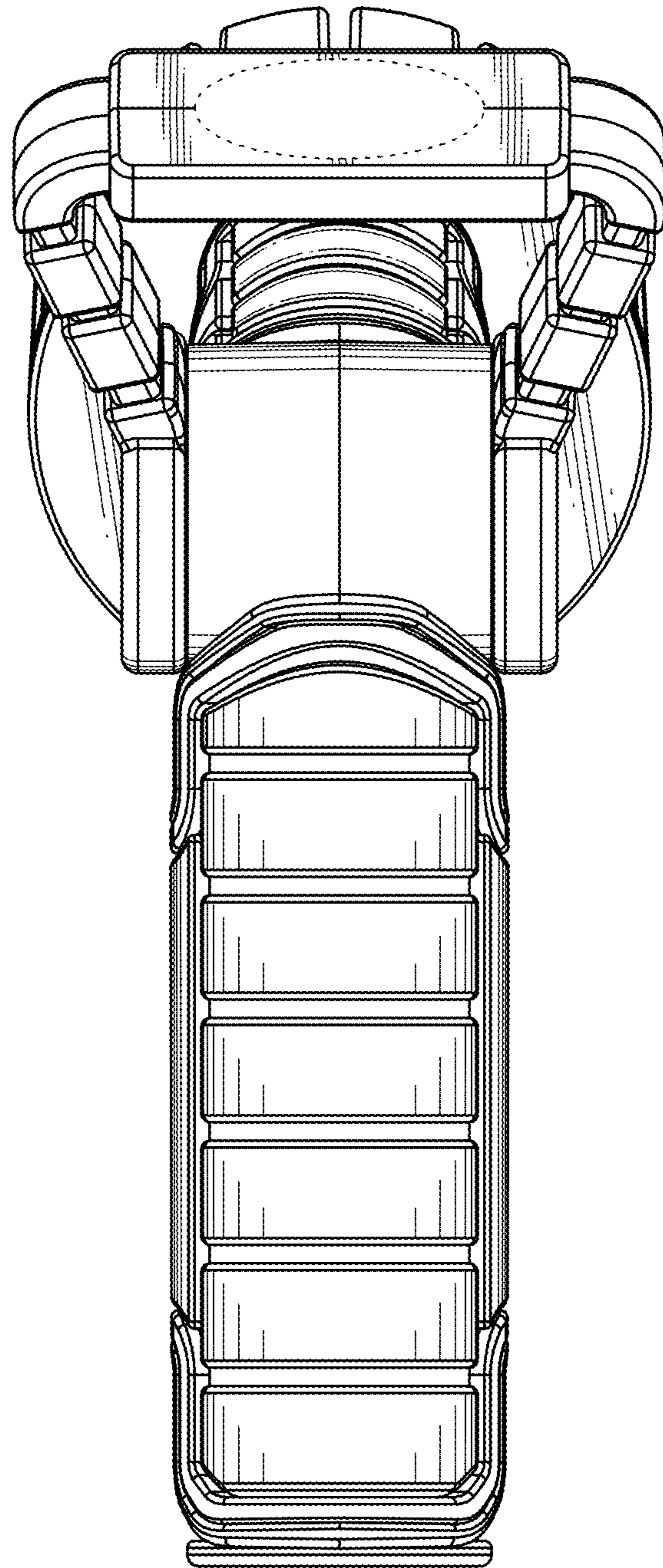




**Fig. 4**

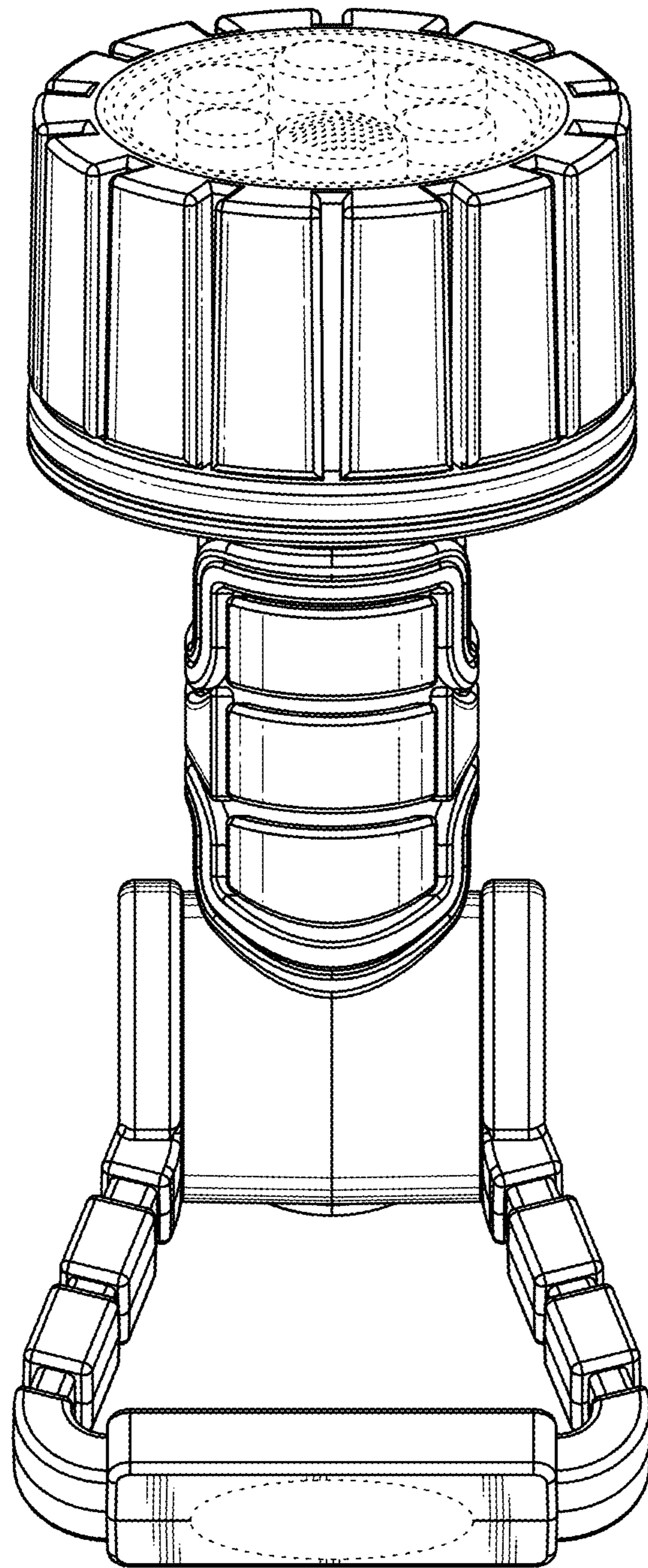


**Fig. 5**

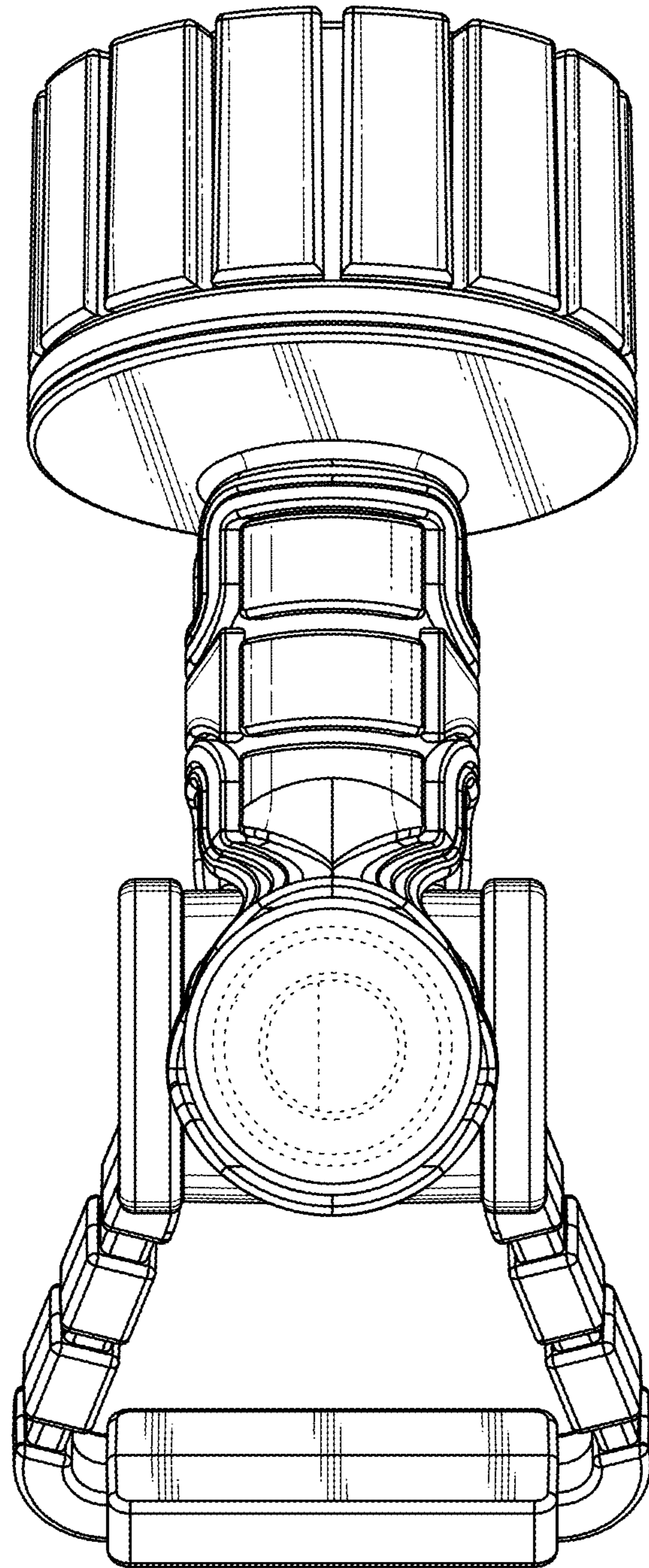


**Fig. 6**



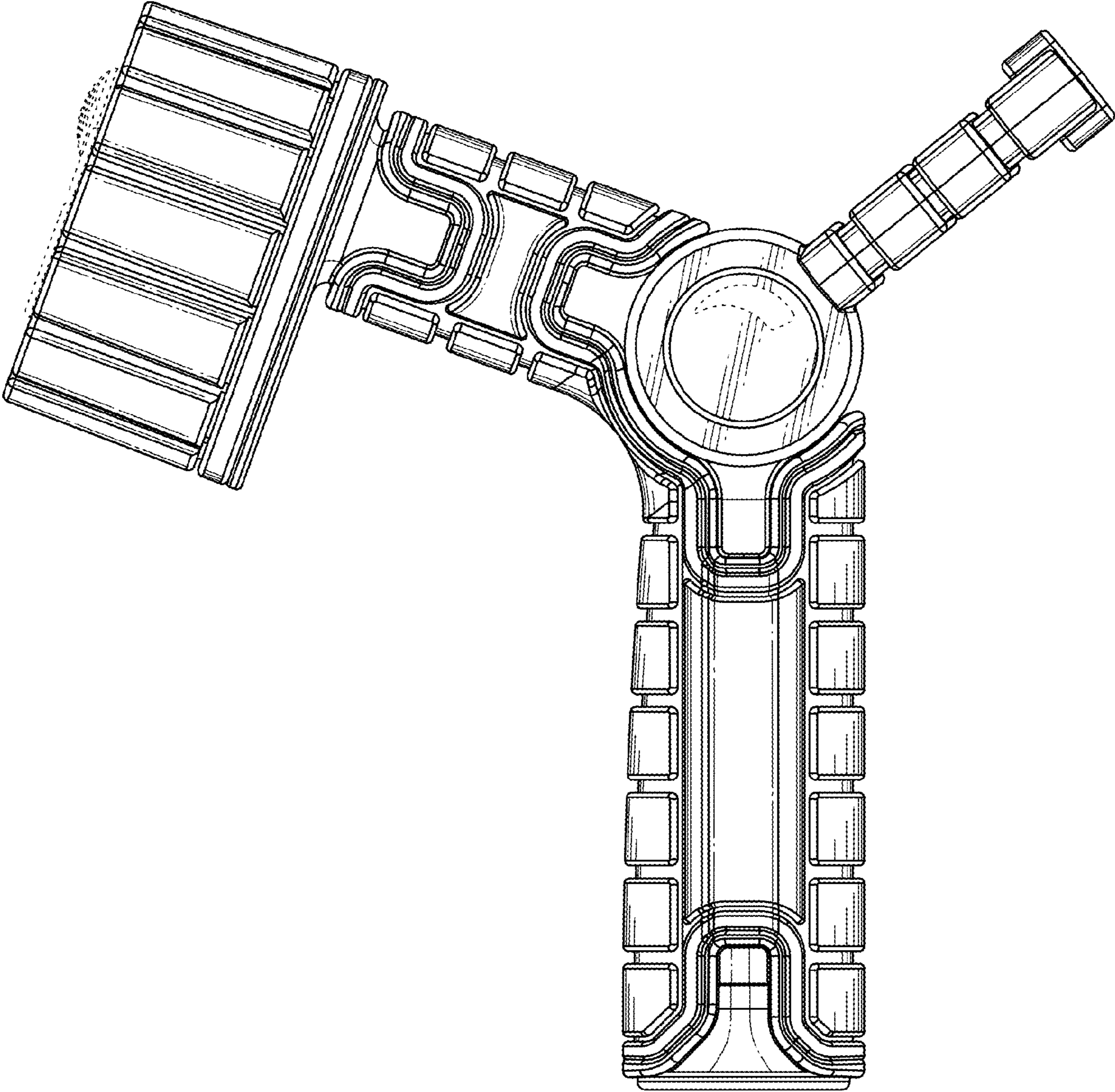


*Fig. 7*

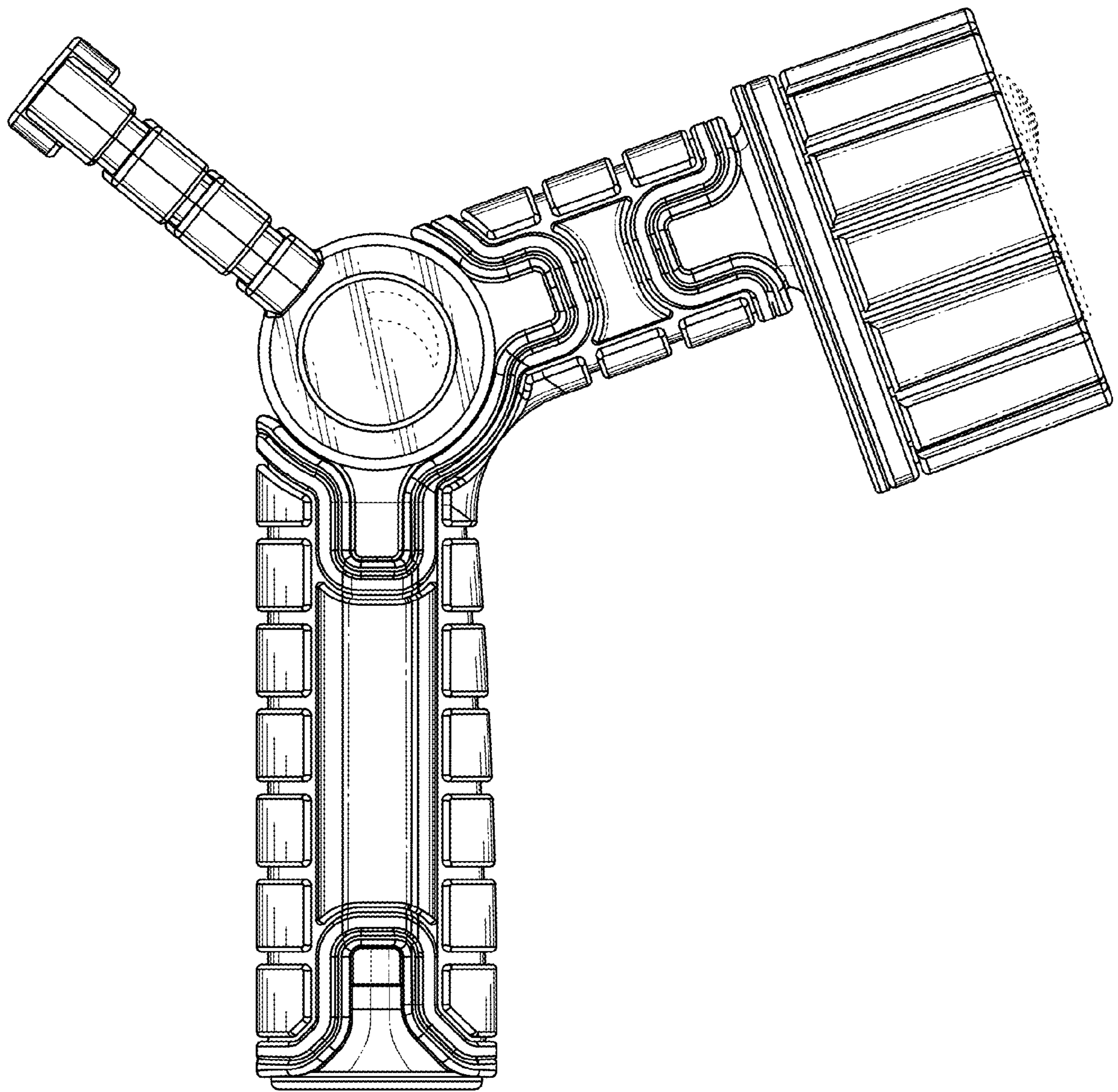


**Fig. 8**



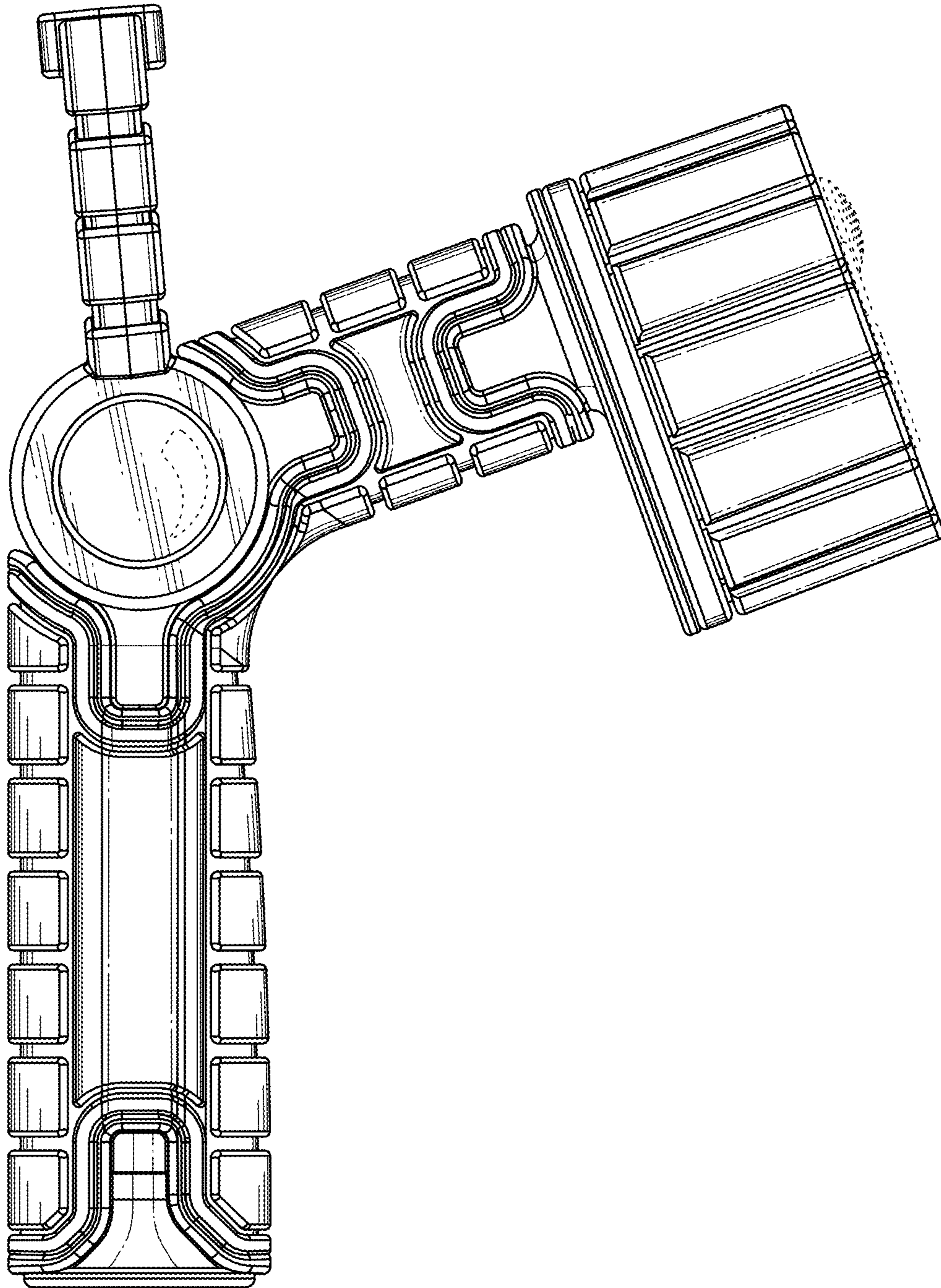


**Fig. 9**

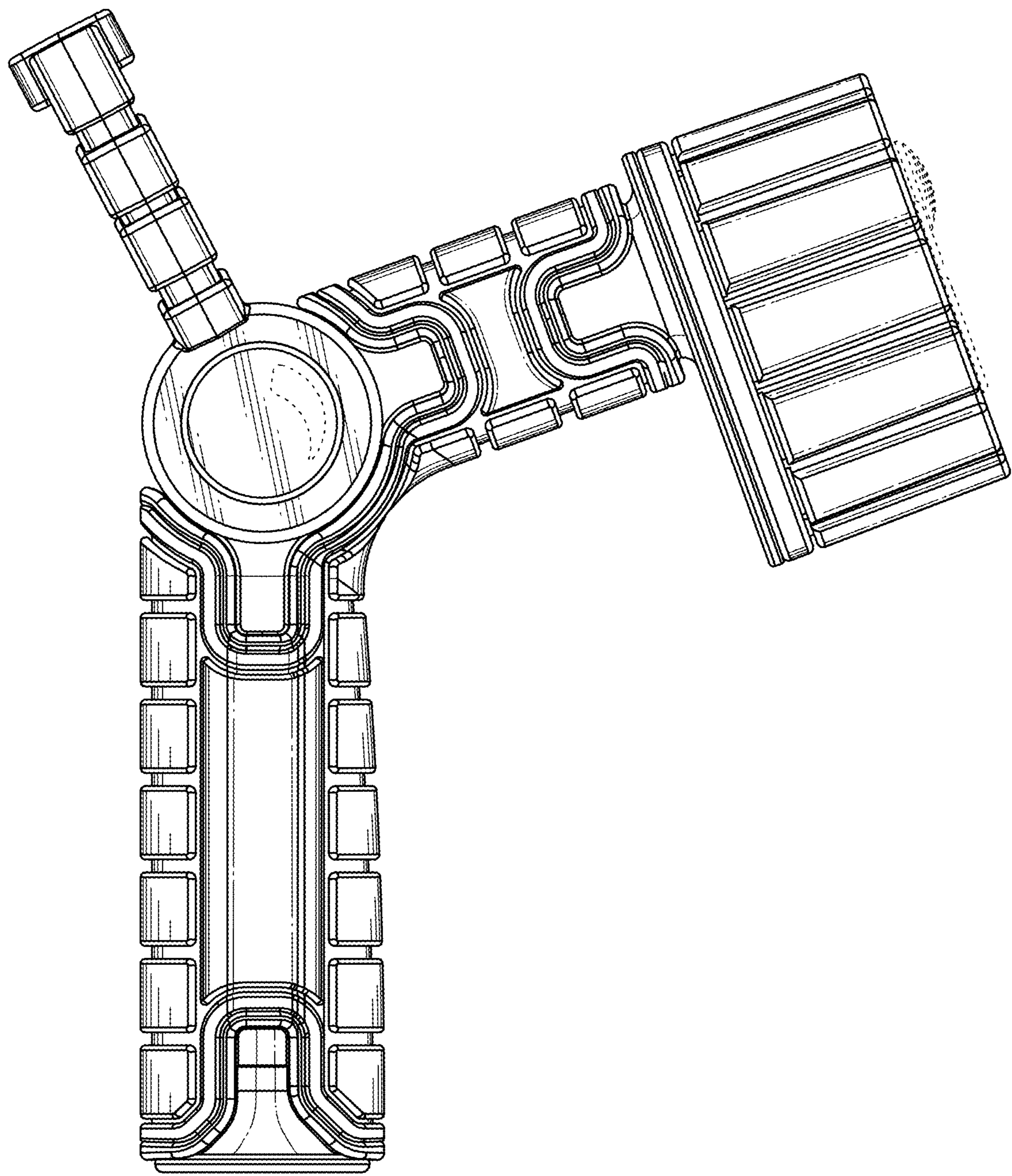


**Fig. 10**



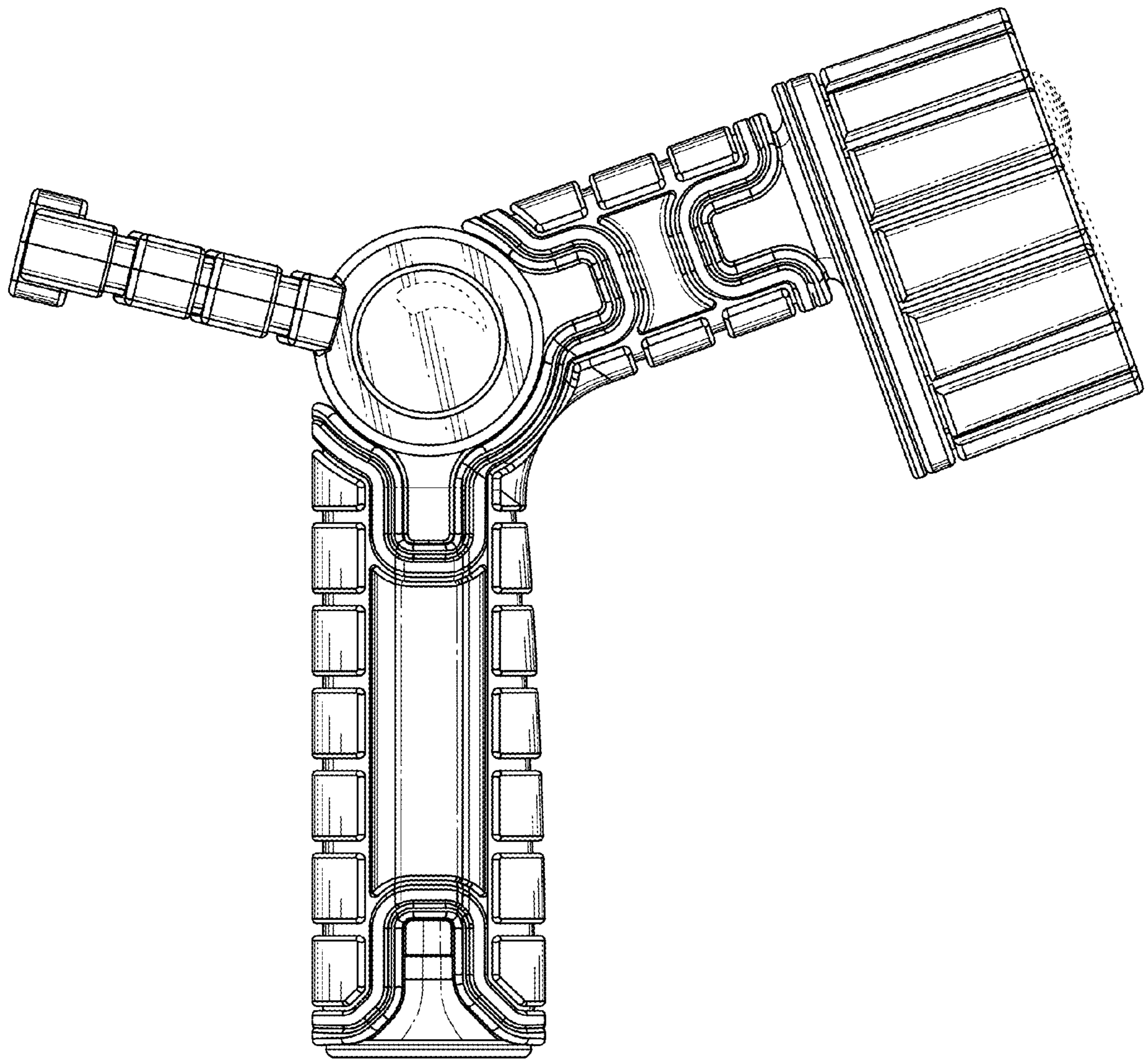


**Fig. 11**

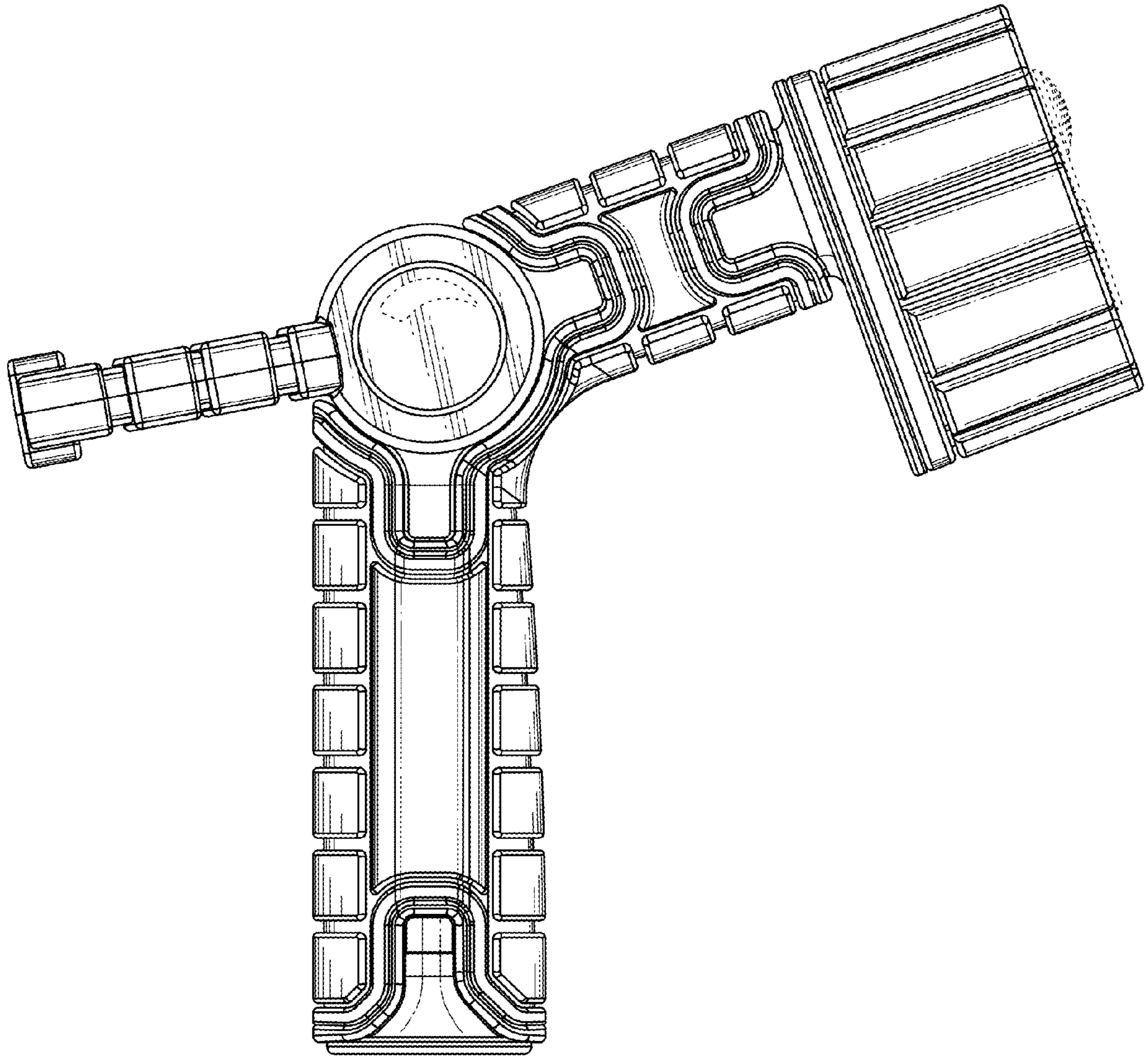


**Fig. 12**





**Fig. 13**



**Fig. 14**