



US00D919045S

(12) **United States Design Patent**  
**Schulz et al.**

(10) **Patent No.:** **US D919,045 S**

(45) **Date of Patent:** **\*\* May 11, 2021**

(54) **LIQUID DELIVERY SYSTEM COUPLER**

(71) Applicant: **3M INNOVATIVE PROPERTIES COMPANY**, St. Paul, MN (US)

(72) Inventors: **Mark F. Schulz**, Lake Elmo, MN (US);  
**Brian S. Boothman**, San Jose, CA (US);  
**Scott D. Gullicks**, Woodbury, MN (US)

(73) Assignee: **3M Innovative Properties Company**,  
St. Paul, MN (US)

(\*\*) Term: **15 Years**

(21) Appl. No.: **29/663,114**

(22) Filed: **Sep. 12, 2018**

(51) **LOC (13) Cl.** ..... **23-01**

(52) **U.S. Cl.**  
USPC ..... **D23/225**

(58) **Field of Classification Search**  
USPC ..... D7/387, 392, 393, 395, 397, 398, 415,  
D7/665, 668, 694, 624.3, 633, 589, 312,  
D7/313, 316, 317, 321, 322; D8/40, 82,  
D8/83, 94, 300, 330, 331, 333, 349, 367,  
D8/382, 383, 385, 395, 396, 399;  
D9/434, 435, 436, 440, 443, 447, 448,  
D9/449, 454, 730, 733, 682; D15/122,  
D15/126, 135, 136, 138, 144.2, 147, 199;  
D23/223, 225, 224, 200, 205, 206, 213,  
D23/226, 227, 229, 233, 235  
CPC ..... B05B 9/08; B05B 7/2405; B05B 7/2408;  
B05B 7/241; B05B 7/2421; B05B 7/2478;  
B65D 47/06

See application file for complete search history.

(56) **References Cited**

**U.S. PATENT DOCUMENTS**

2,413,710 A 1/1947 Jason  
2,619,292 A 11/1952 Nichols

2,651,545 A 9/1953 Shotton  
3,993,250 A 11/1976 Shure  
4,135,647 A 1/1979 Mascia  
4,167,503 A 9/1979 Cipriani  
4,183,673 A 1/1980 Easley  
4,187,959 A 2/1980 Pelton  
4,570,833 A 2/1986 Vanderjagt  
4,583,487 A 4/1986 Wood  
4,735,345 A 4/1988 Lee  
4,987,975 A 1/1991 Liu

(Continued)

**FOREIGN PATENT DOCUMENTS**

EP 0623445 11/1994  
EP 3135452 3/2017

(Continued)

*Primary Examiner* — Michael C Stout

*Assistant Examiner* — Fritzgerald L Butac

(57) **CLAIM**

The ornamental design for a liquid delivery system coupler, as shown and described.

**DESCRIPTION**

FIG. 1 is a perspective view of a liquid delivery system coupler embodying the new design.

FIG. 2 is a front view thereof;

FIG. 3 is a back view thereof;

FIG. 4 is a left side view thereof;

FIG. 5 is a right side view thereof;

FIG. 6 is a top view thereof;

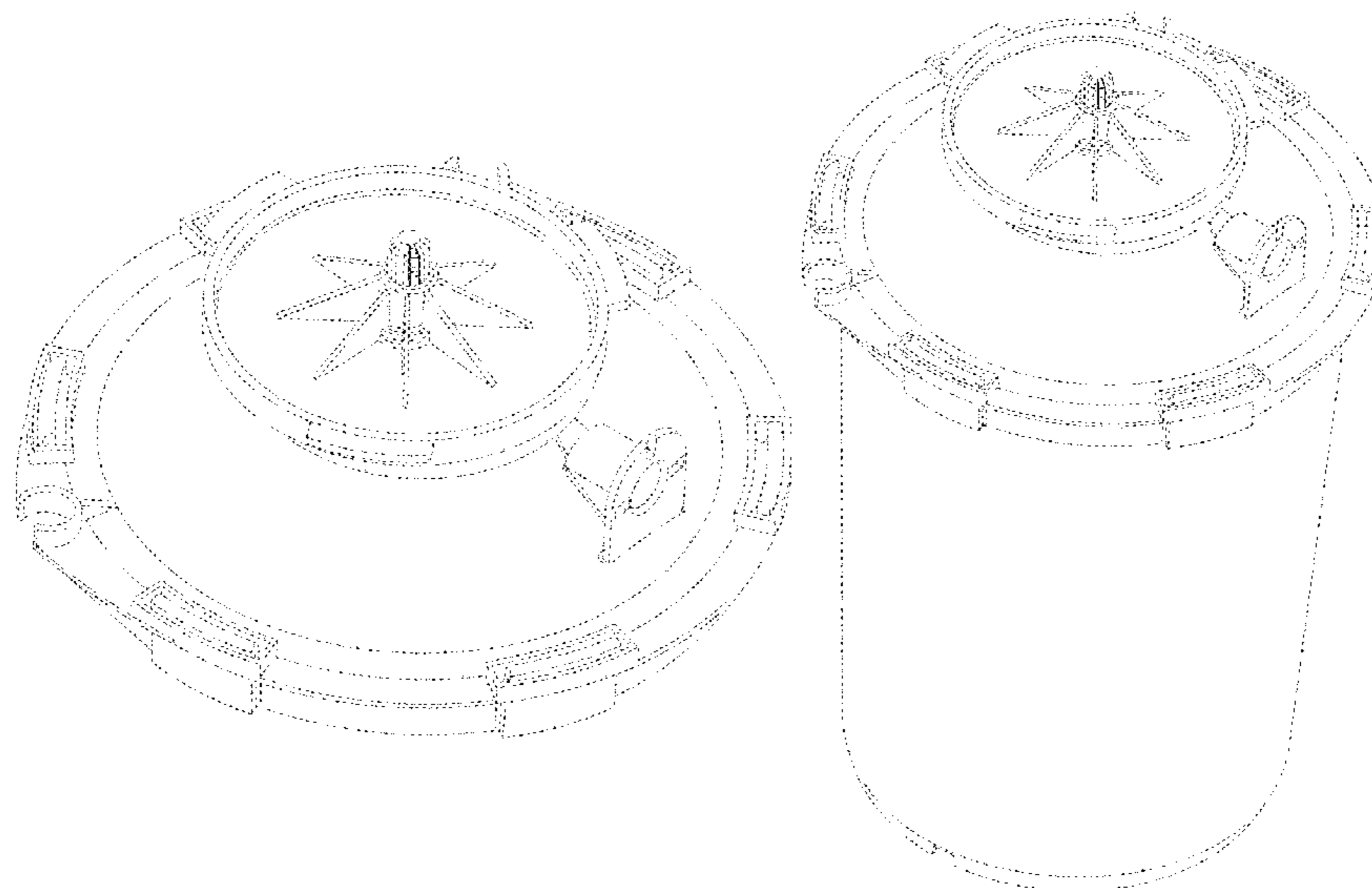
FIG. 7 is a bottom view thereof; and,

FIG. 8 is a perspective view thereof along with other components of a liquid delivery system.

The broken lines show portions of a liquid delivery system coupler that form no part of the claimed design.

The broken lines shown in FIG. 8 are for the purpose of showing environmental structure, and form no part of the claimed design.

**1 Claim, 6 Drawing Sheets**



(56)

References Cited

U.S. PATENT DOCUMENTS

5,014,884 A 5/1991 Wunsch  
 5,301,838 A 4/1994 Schmidt  
 5,375,634 A 12/1994 Egger  
 5,431,200 A 7/1995 Mariotti  
 5,539,952 A 7/1996 Hayes  
 5,636,762 A 6/1997 Juhola  
 5,797,519 A 8/1998 Schroeder  
 5,836,482 A 11/1998 Ophardt  
 5,909,825 A 6/1999 Lydford  
 5,955,116 A 9/1999 Kehoe  
 6,053,218 A 4/2000 Boers  
 6,142,750 A 11/2000 Benecke  
 D445,681 S \* 7/2001 Kimble ..... D9/434  
 6,254,363 B1 7/2001 Fink  
 6,343,724 B1 2/2002 Ophardt  
 6,648,611 B2 11/2003 Morse  
 6,651,849 B2 11/2003 Schroeder  
 6,669,358 B2 12/2003 Shimoda  
 6,890,161 B2 5/2005 Paukovits, Jr.  
 6,957,751 B2 10/2005 Ophardt  
 D530,779 S \* 10/2006 Lee ..... D23/207  
 7,198,175 B2 4/2007 Ophardt  
 7,277,664 B2 10/2007 Katsuyama  
 7,278,776 B2 10/2007 Helbing  
 D556,402 S \* 11/2007 Carlson ..... D32/25  
 7,416,096 B2 8/2008 Maguire  
 7,681,765 B2 3/2010 Muderlak  
 7,837,132 B2 11/2010 Mazooji  
 7,845,582 B2 12/2010 Joseph  
 8,096,530 B2 1/2012 Pelfrey  
 8,272,537 B2 9/2012 Varga  
 8,360,278 B2 1/2013 Fiedler  
 8,544,692 B2 10/2013 Rusch  
 8,596,555 B2 12/2013 Thompson  
 D810,862 S \* 2/2018 Ebertowski ..... D23/225  
 D810,863 S \* 2/2018 Hegdahl ..... D23/225

D812,716 S \* 3/2018 Ebertowski ..... D23/225  
 D813,985 S \* 3/2018 Hegdahl ..... D23/225  
 D815,248 S \* 4/2018 Hegdahl ..... D23/225  
 D817,443 S \* 5/2018 Ebertowski ..... D23/225  
 2004/0197435 A1 10/2004 Shepherd  
 2005/0052945 A1 3/2005 Maguire  
 2005/0092386 A1 5/2005 Kaufhold  
 2005/0139612 A1 6/2005 Matthews  
 2006/0278657 A1 12/2006 Roatis  
 2008/0277421 A1 11/2008 Zlatic  
 2009/0200340 A1 8/2009 Ophardt  
 2009/0212071 A1 8/2009 Tom  
 2010/0140288 A1 6/2010 Jones  
 2010/0254730 A1 10/2010 Centofante  
 2010/0254731 A1 10/2010 Centofante  
 2011/0108568 A1 5/2011 Hogan  
 2013/0270303 A1 10/2013 Centofante  
 2016/0052002 A1 \* 2/2016 Schulz ..... B05B 7/2408  
 239/302  
 2017/0203887 A1 \* 7/2017 Hegdahl ..... B65D 47/06  
 2020/0108533 A1 \* 4/2020 Schulz ..... B65D 83/0055

FOREIGN PATENT DOCUMENTS

ES 8707882 9/1987  
 FR 2672279 8/1992  
 JP 2002-046338 2/2002  
 JP 2007136719 6/2007  
 WO WO 2005/000955 1/2005  
 WO WO 2007/039378 4/2007  
 WO WO 2007/080150 7/2007  
 WO WO 2011/046802 4/2011  
 WO WO 2011/085012 7/2011  
 WO WO 2012/048172 4/2012  
 WO WO 2013/074923 5/2013  
 WO WO 2017/123707 7/2017  
 WO WO 2019/005726 1/2019

\* cited by examiner

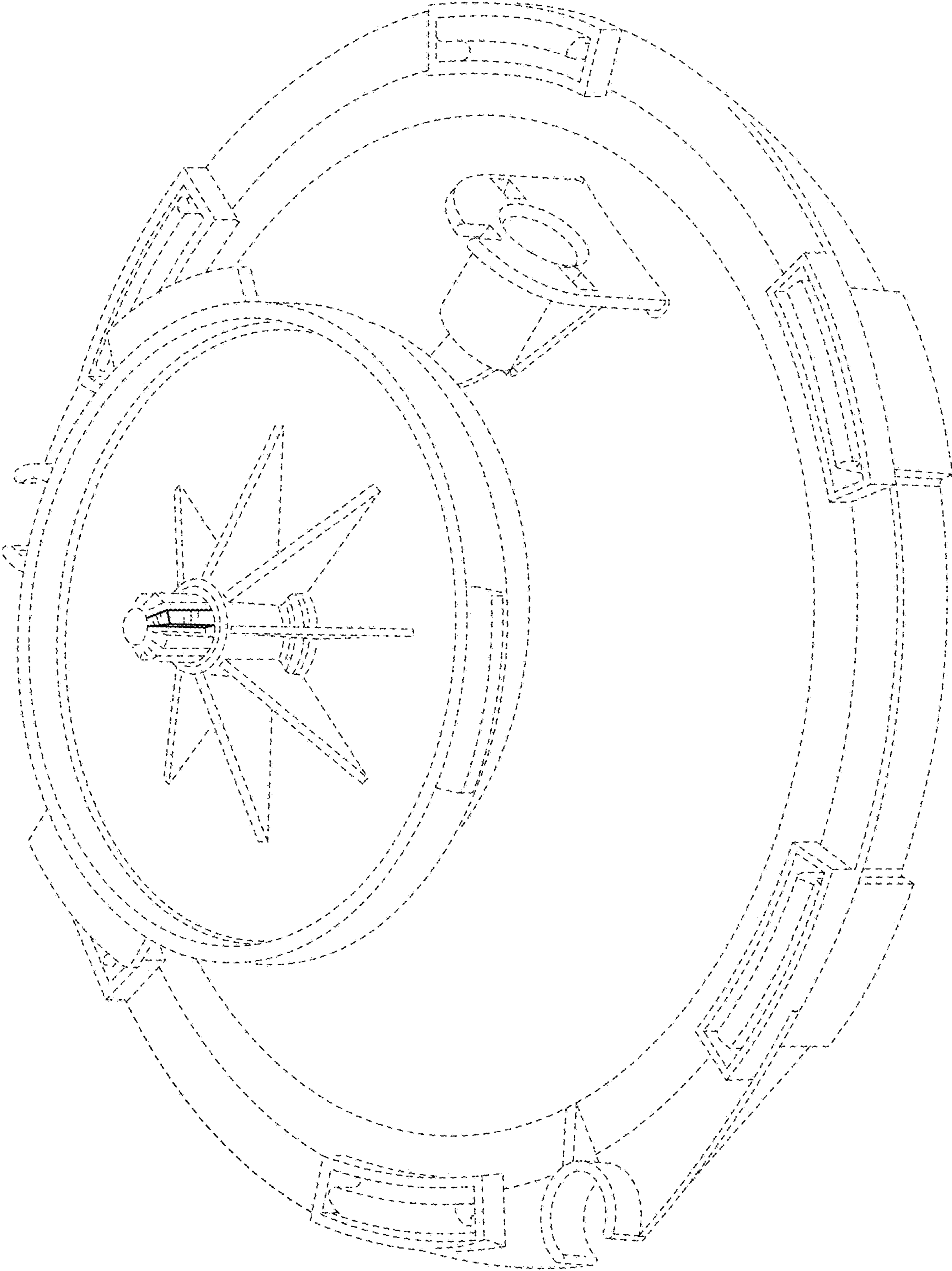


FIG. 1



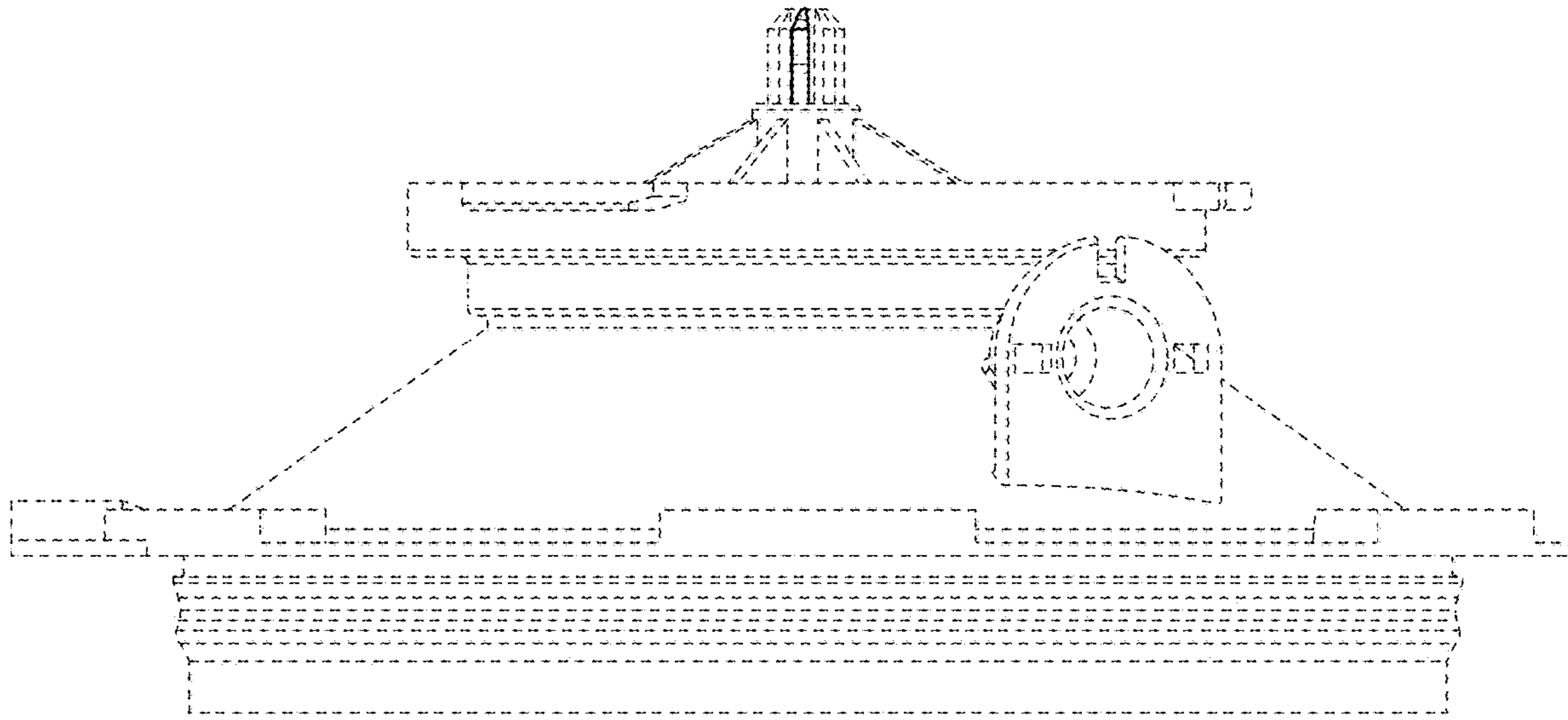


FIG. 2

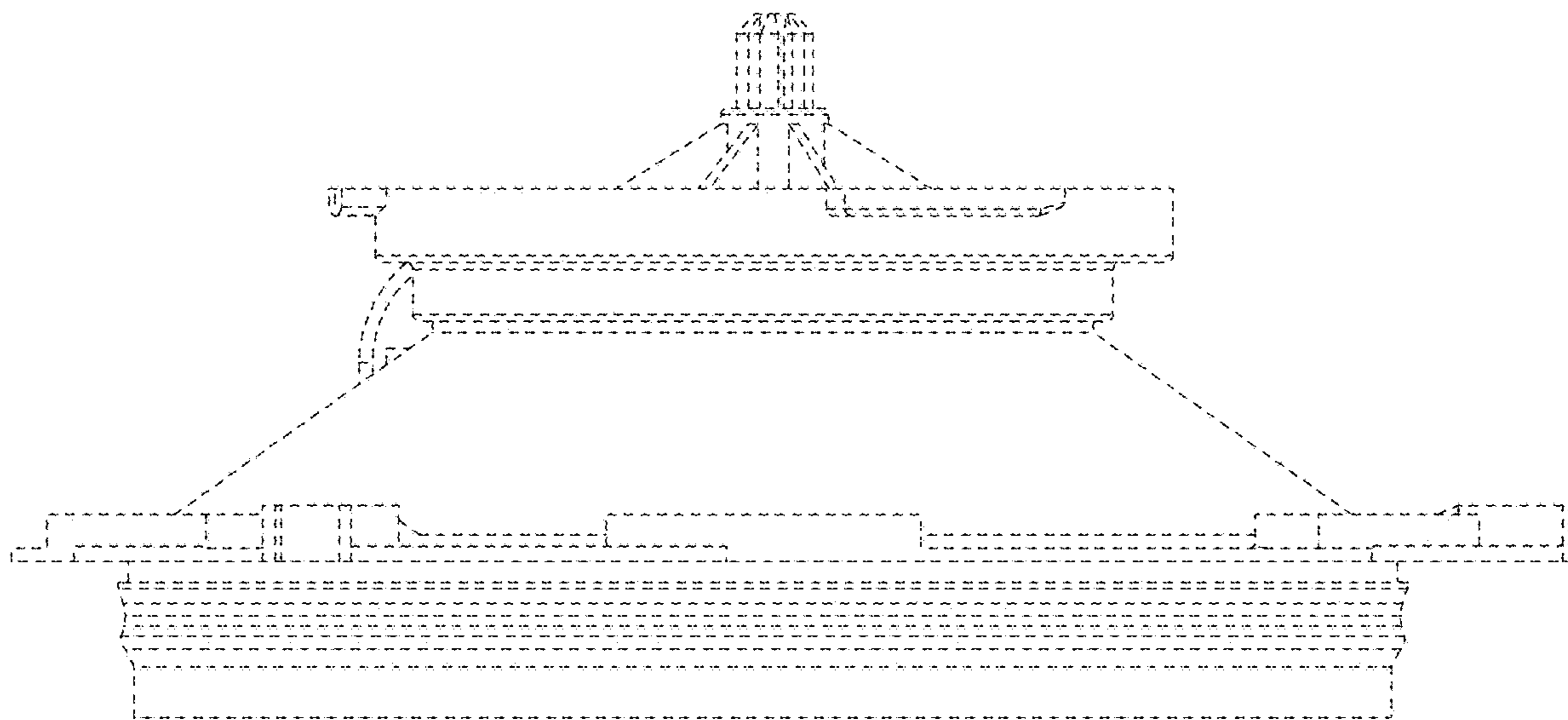


FIG. 3

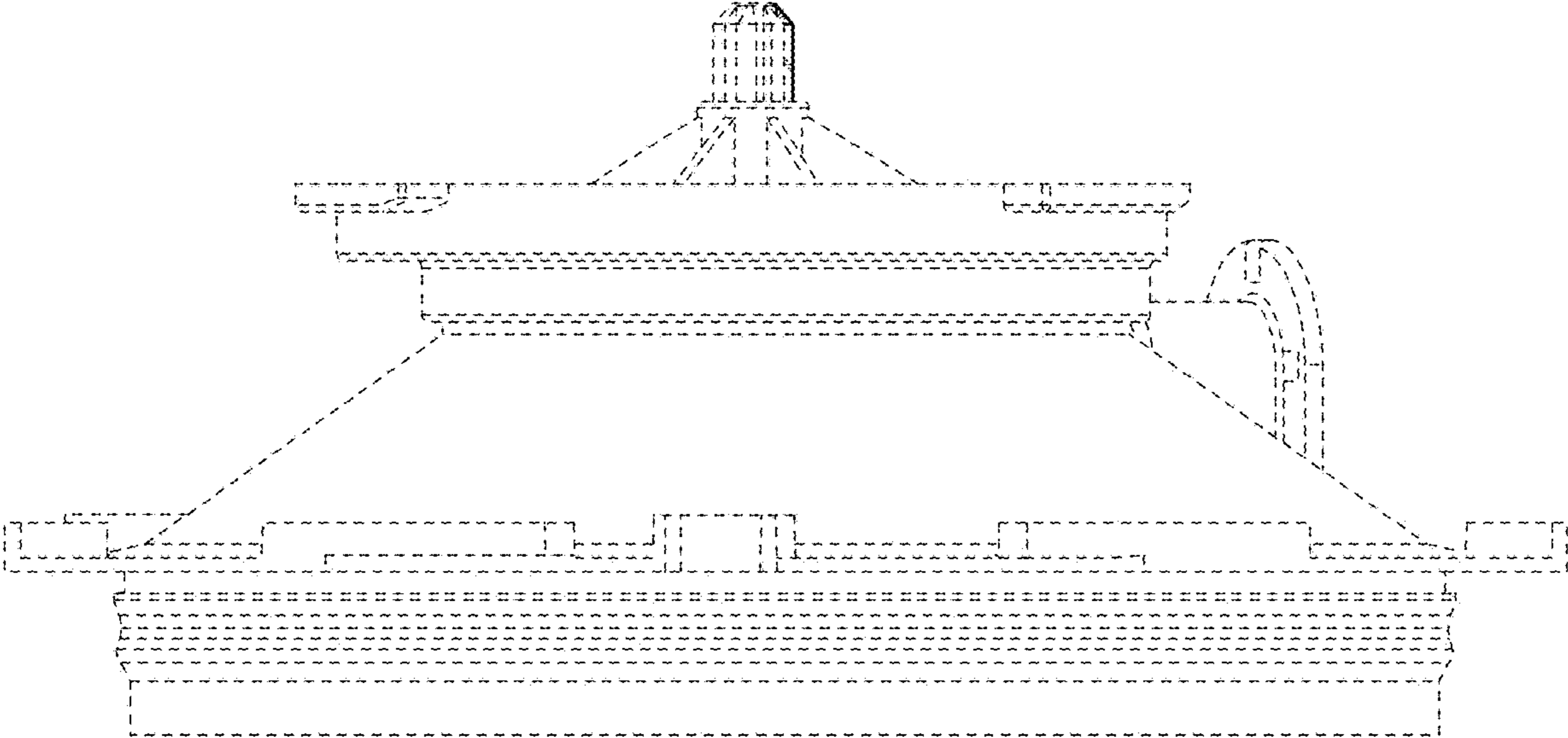


FIG. 4

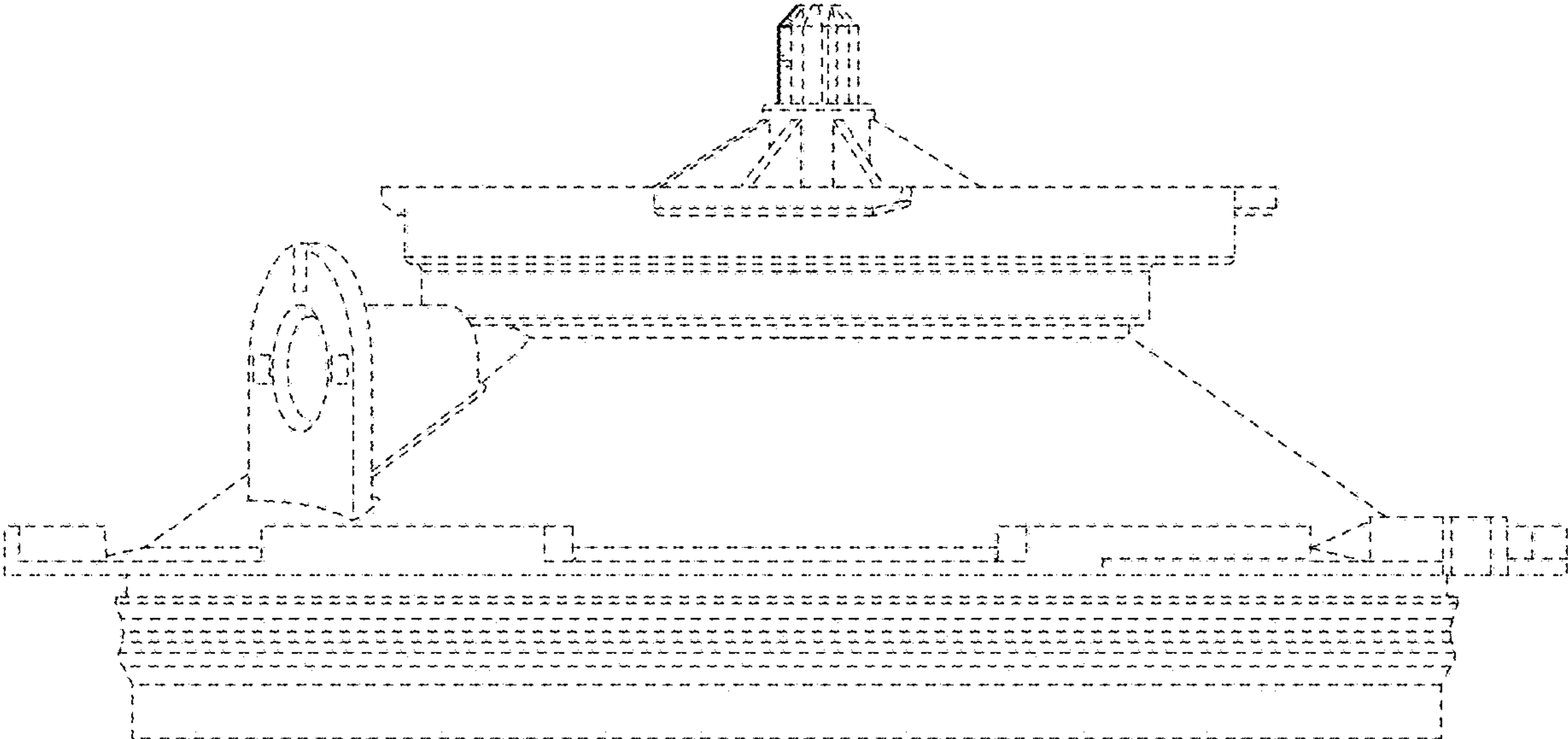


FIG. 5

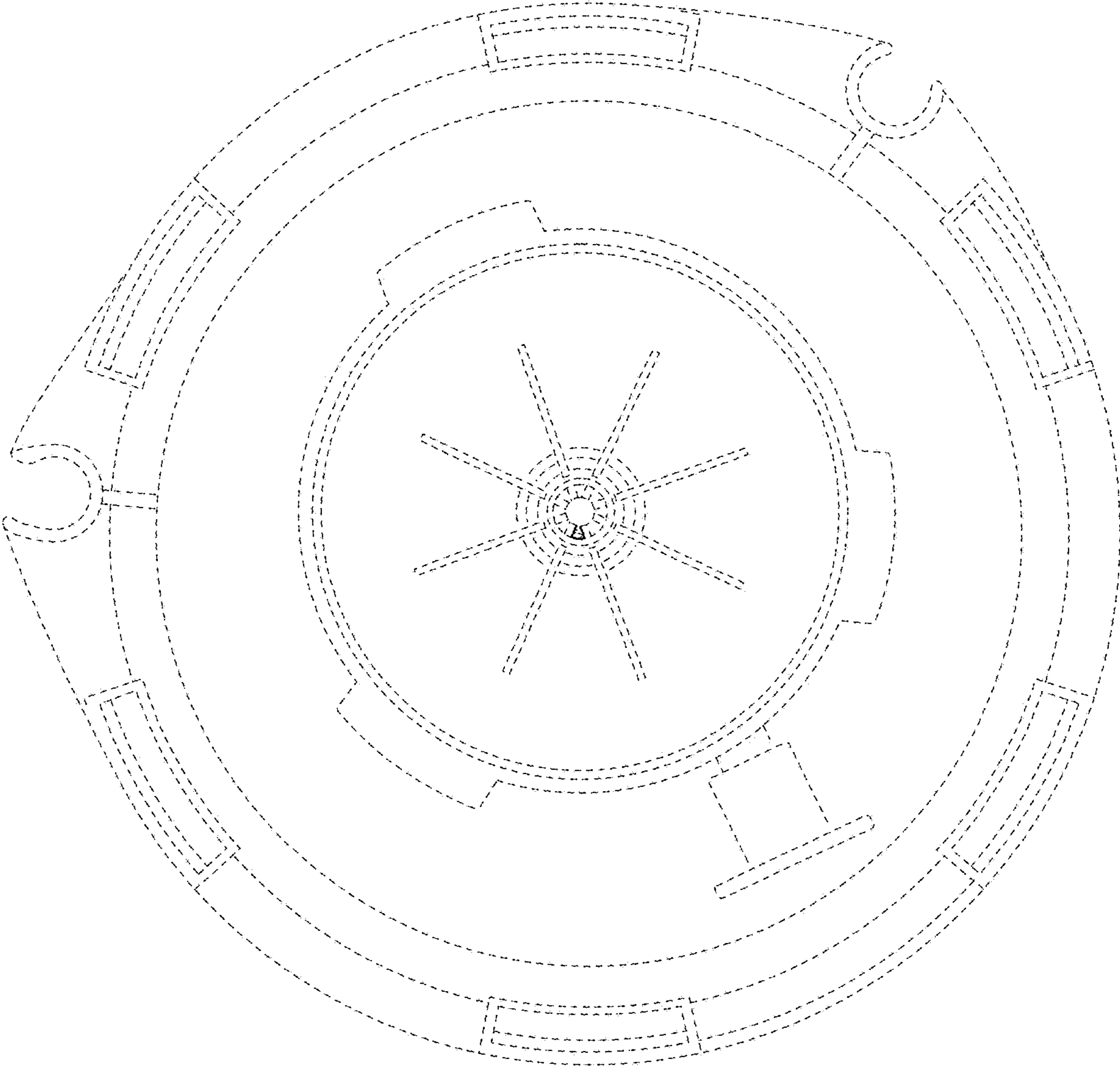


FIG. 6

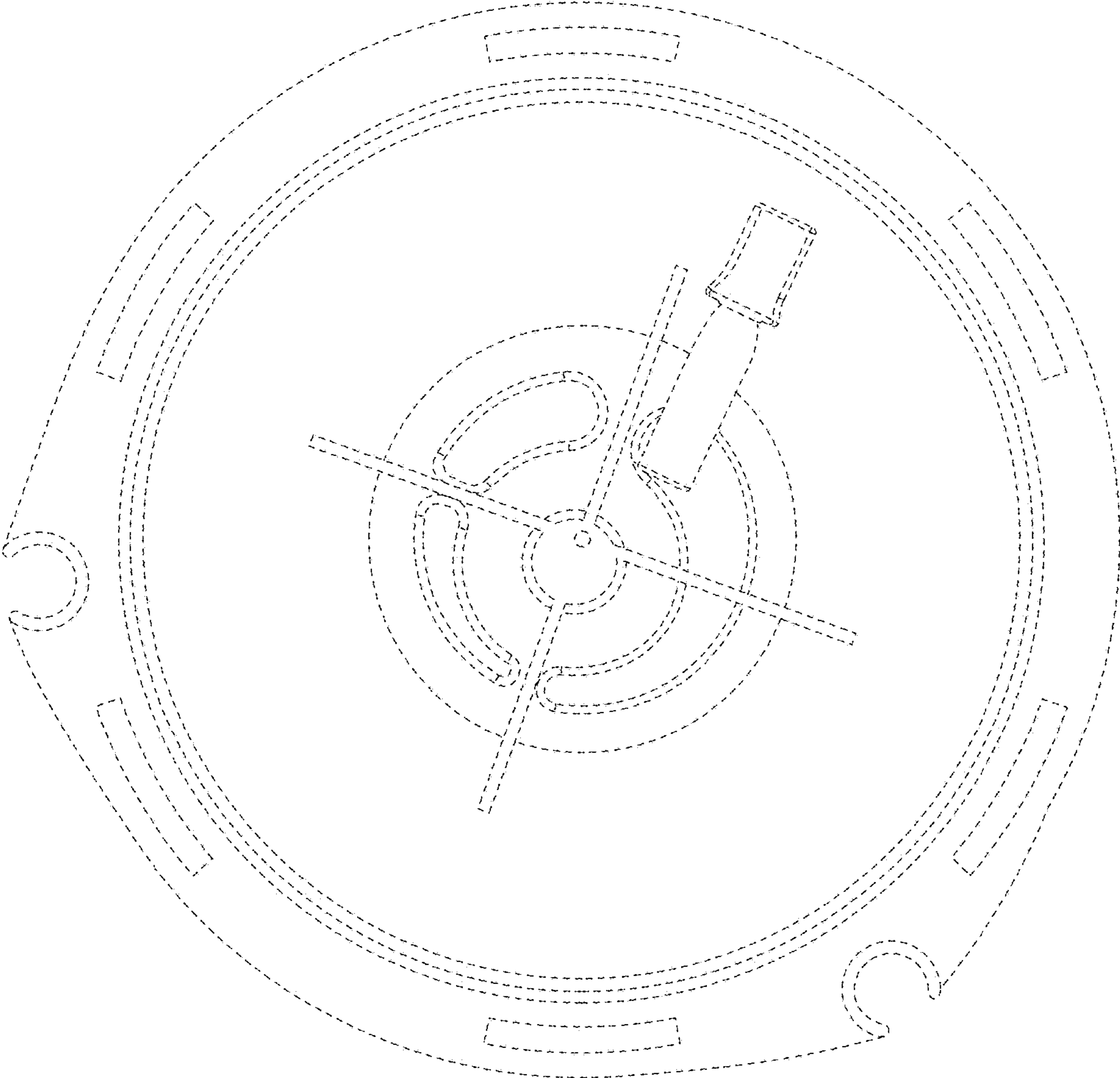


FIG. 7

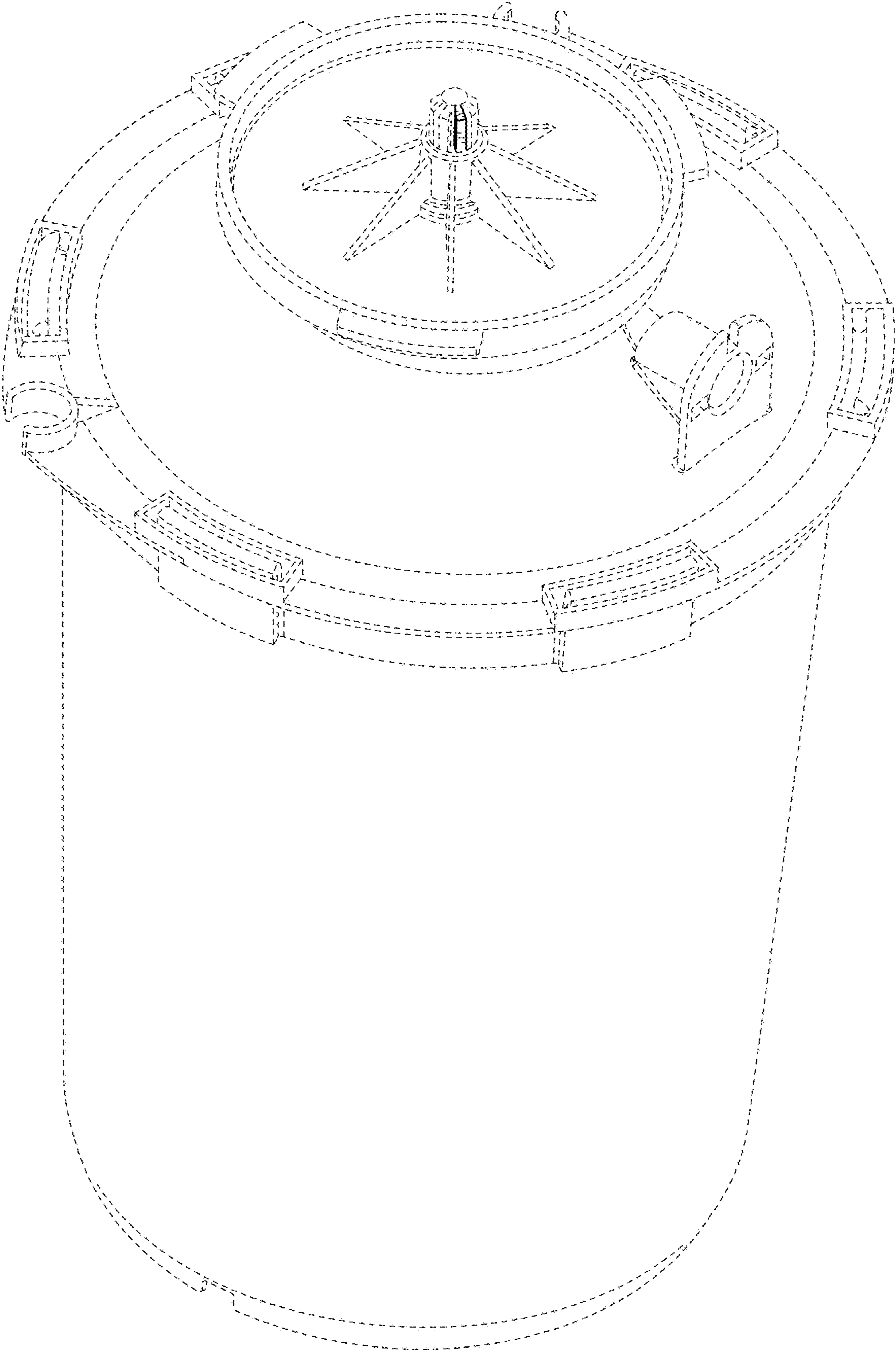


FIG. 8