



US00D919044S

(12) **United States Design Patent** (10) **Patent No.:** **US D919,044 S**
Yan (45) **Date of Patent:** **** May 11, 2021**

(54) **SHOWER HEAD**

FOREIGN PATENT DOCUMENTS

(71) Applicant: **Xiamen Galenpoo Kitchen & Bathroom Technology Co., Ltd.**, Fujian Province (CN)

KR 3020190042957 * 10/2020

(72) Inventor: **Xiaoling Yan**, Fujian Province (CN)

OTHER PUBLICATIONS

(**) Term: **15 Years**

Newentor Shower Head found on Mar. 19, 2021 at <https://www.amazon.com/Newentor-Pressure-handheld-Stainless-Adjustable/dp/B089GZZZC1/> (Year: 2020).*

(21) Appl. No.: **29/761,024**

* cited by examiner

(22) Filed: **Dec. 7, 2020**

Primary Examiner — Karen S Acker
Assistant Examiner — Jonathan Emil Fiencke

(51) **LOC (13) Cl.** **23-01**

(52) **U.S. Cl.**
USPC **D23/213**

(57) **CLAIM**

(58) **Field of Classification Search**
USPC D23/213, 223, 229, 239, 255, 283, 304, D23/226
CPC .. A62C 1/02; A62C 1/03; B05B 1/304; B65D 47/32
See application file for complete search history.

The ornamental design for a shower head, as shown and described.

DESCRIPTION

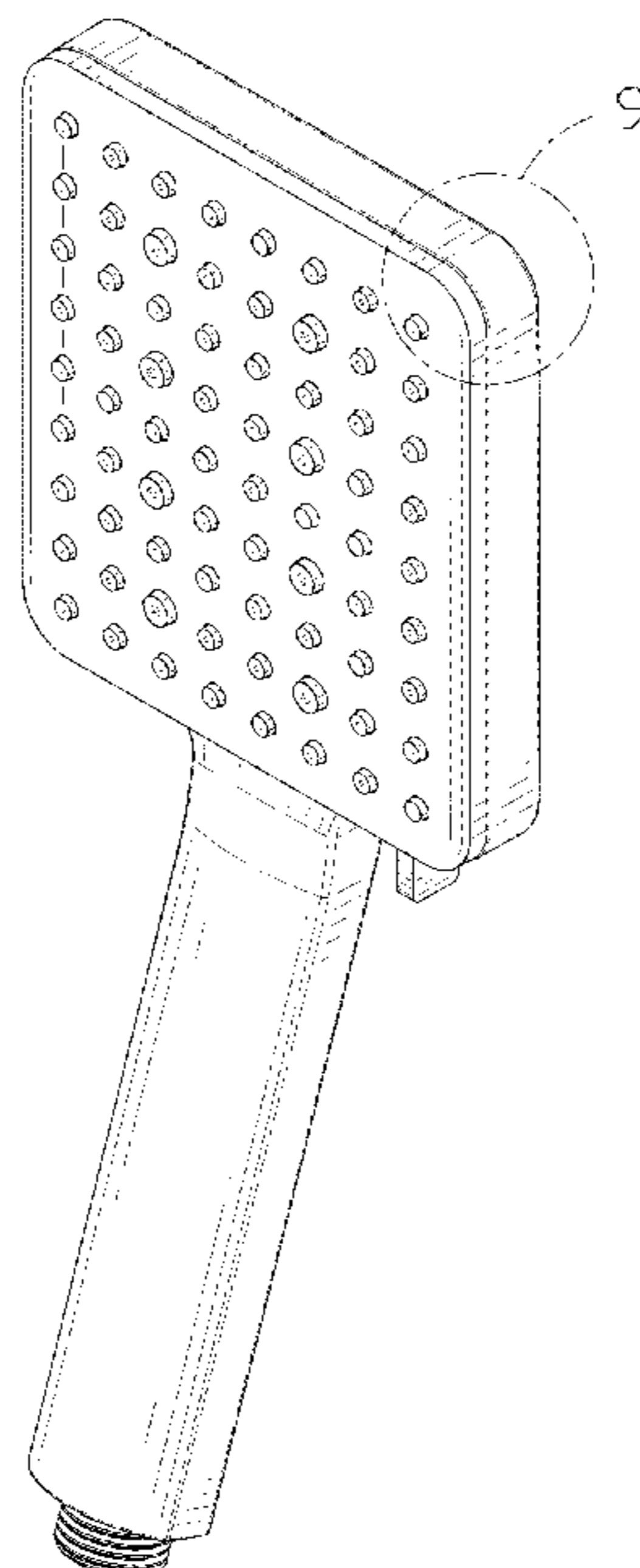
(56) **References Cited**

U.S. PATENT DOCUMENTS

| | | | | |
|-------------------|---------|------------|-------|------------|
| D495,778 S * | 9/2004 | Jorgensen | | D23/213 |
| D523,520 S * | 6/2006 | Theberge | | D23/213 |
| D538,391 S * | 3/2007 | Mazzola | | D23/213 |
| D557,770 S * | 12/2007 | Hoernig | | D23/229 |
| D558,301 S * | 12/2007 | Hoernig | | D23/213 |
| D558,303 S * | 12/2007 | Williams | | D23/229 |
| D627,429 S * | 11/2010 | Gessi | | D23/213 |
| D639,384 S * | 6/2011 | Flowers | | D23/213 |
| D736,347 S * | 8/2015 | Tan | | D23/213 |
| D820,388 S | 6/2018 | Seum | | |
| D828,491 S * | 9/2018 | Schoenherr | | D23/213 |
| D828,905 S * | 9/2018 | Schoenherr | | D23/213 |
| D908,188 S * | 1/2021 | Seum | | D23/213 |
| 2019/0055721 A1 * | 2/2019 | Dieterle | | E03C 1/084 |

FIG. 1 is a front and top perspective view of a shower head, showing my new design;
FIG. 2 is a rear and bottom perspective view thereof;
FIG. 3 is a front elevational view thereof;
FIG. 4 is a rear elevational view thereof;
FIG. 5 is a left side elevational view thereof;
FIG. 6 is a right side elevational view thereof;
FIG. 7 is a top plan view thereof;
FIG. 8 is a bottom plan view thereof;
FIG. 9 is an enlarged detail view of area 9 circumscribed within FIG. 1; and,
FIG. 10 is an enlarged detail view of area 10 circumscribed within FIG. 2.
The broken lines in the figures depict portions of the shower head that form no part of the claim. The dash dot dash broken lines in FIGS. 1, 2, 9, and 10 depict the unclaimed boundaries of the detail areas and form no part of the claim.

1 Claim, 10 Drawing Sheets



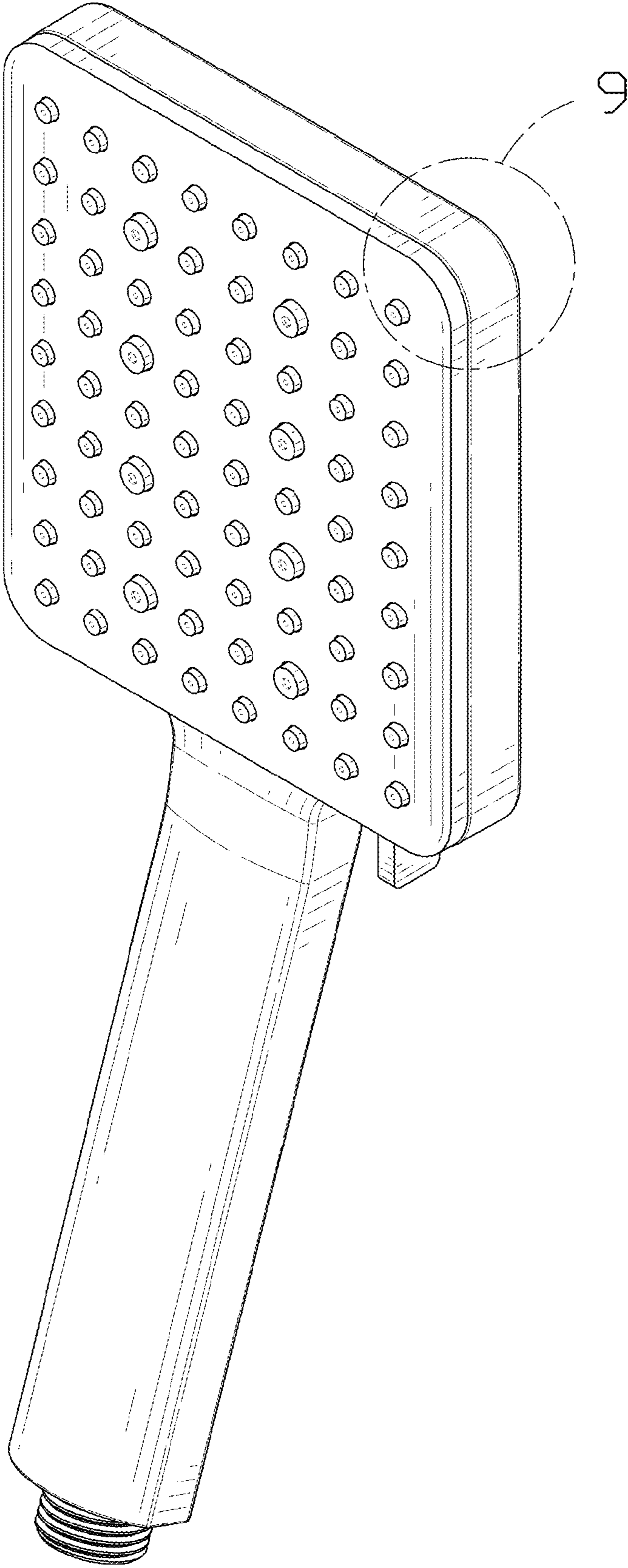


FIG. 1

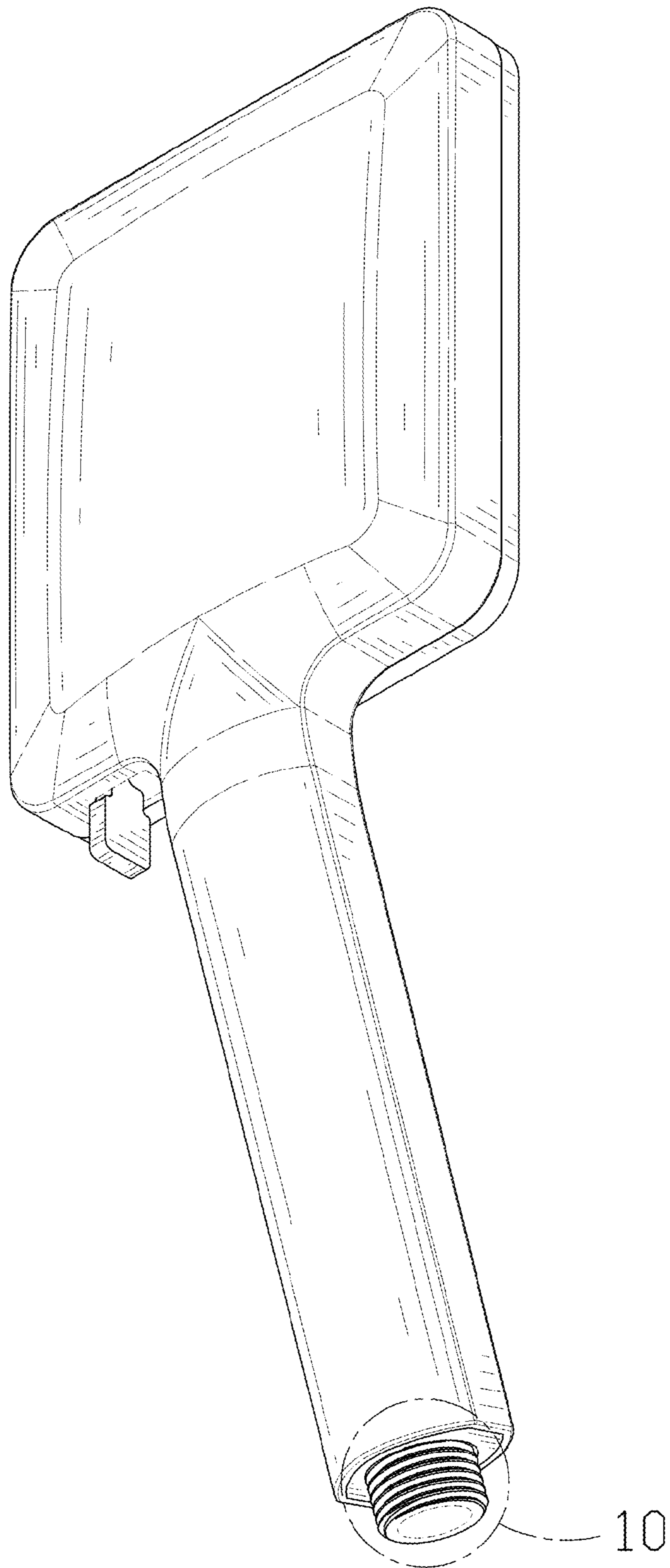


FIG. 2

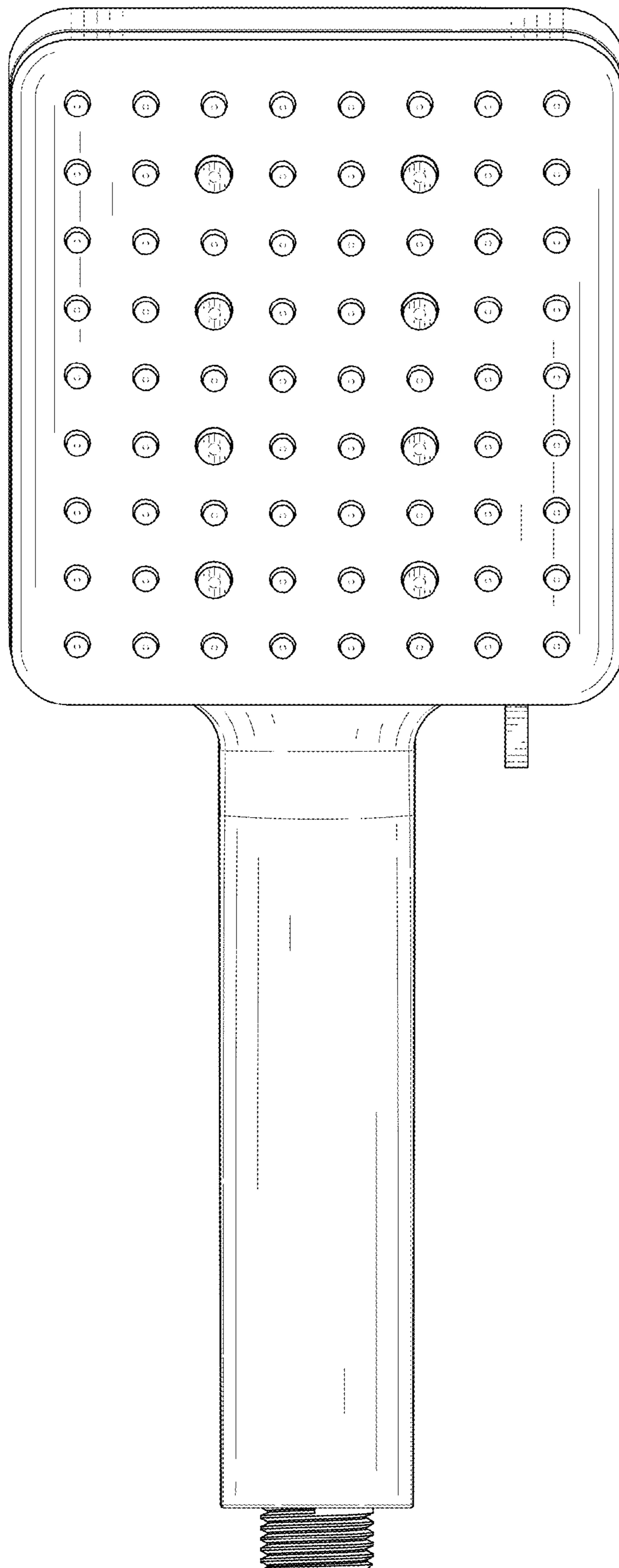


FIG. 3

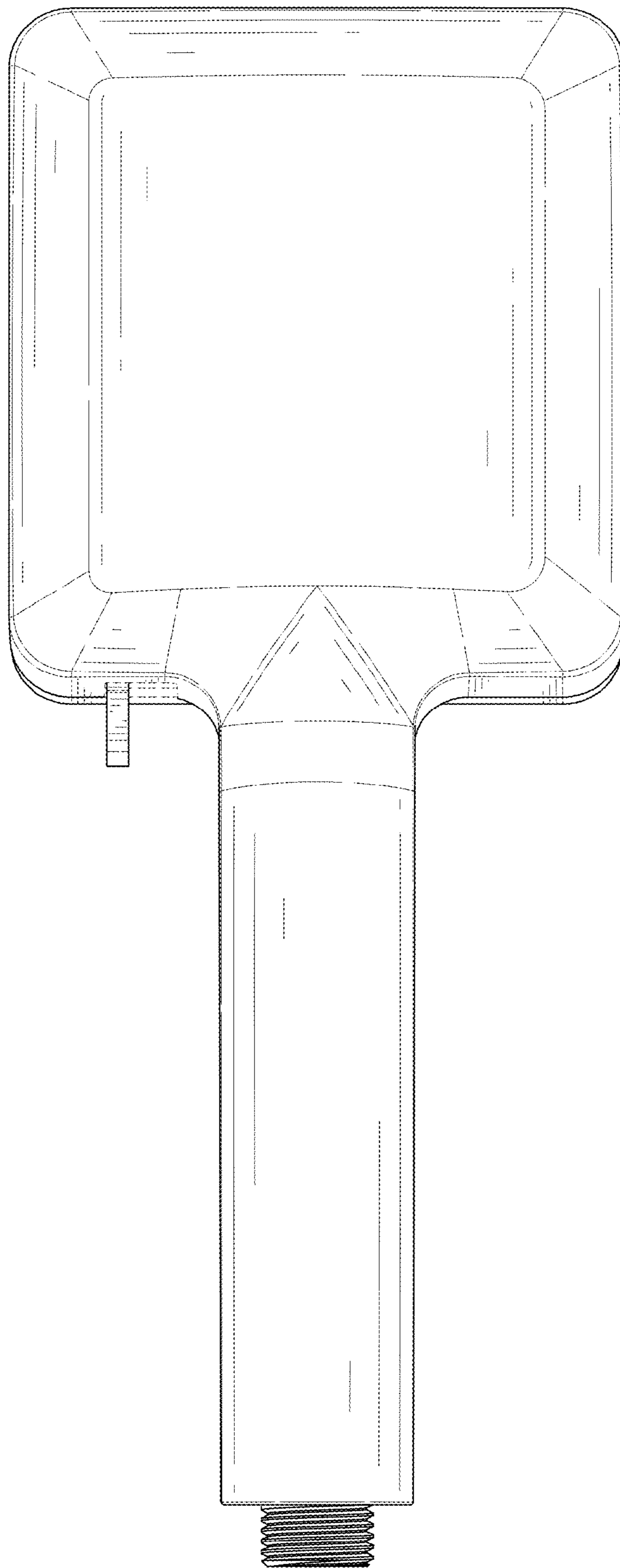


FIG. 4

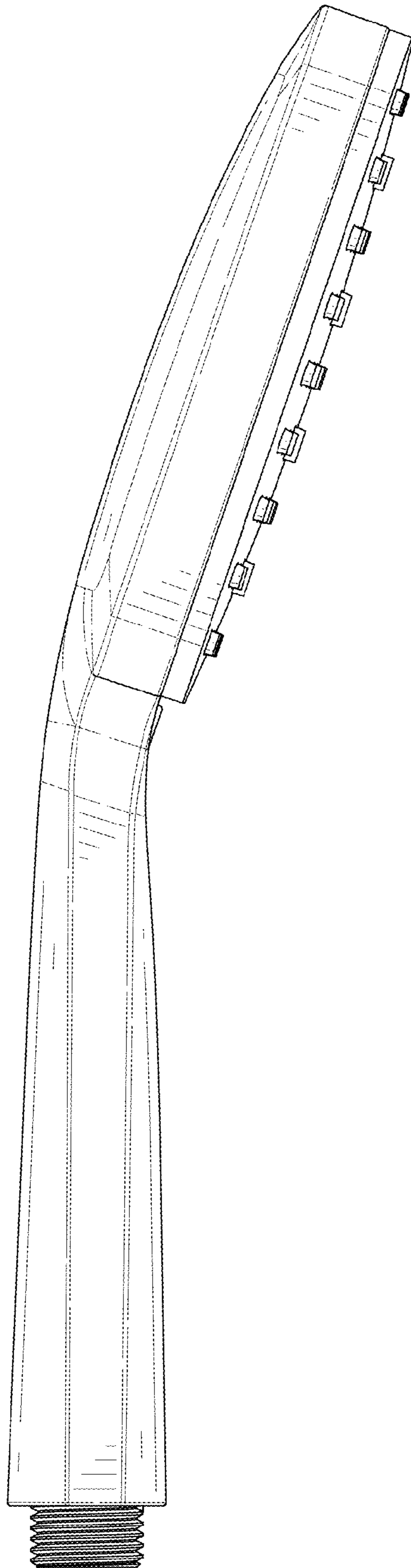


FIG. 5

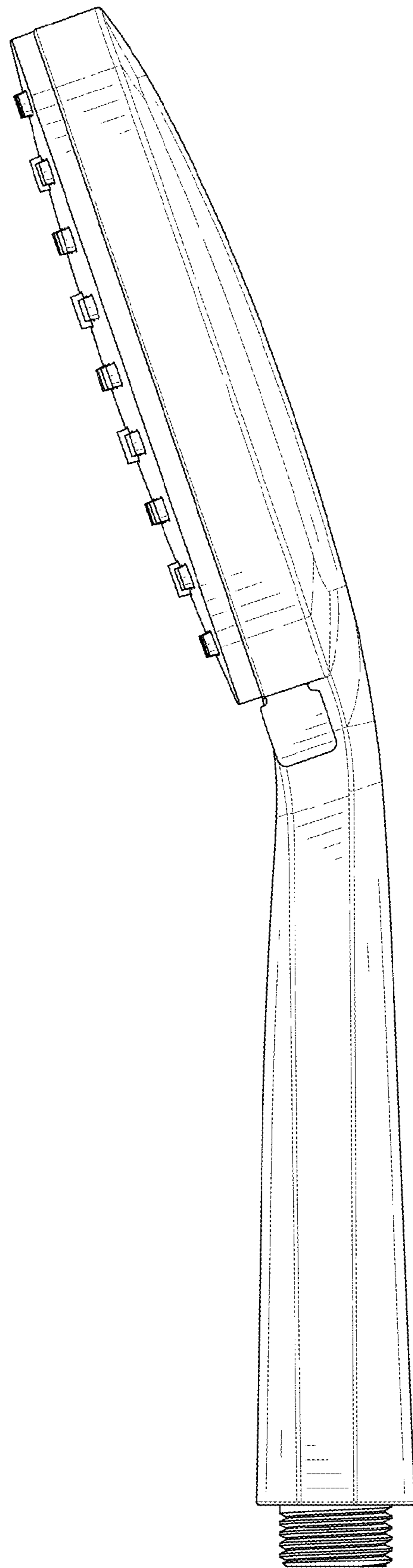


FIG. 6

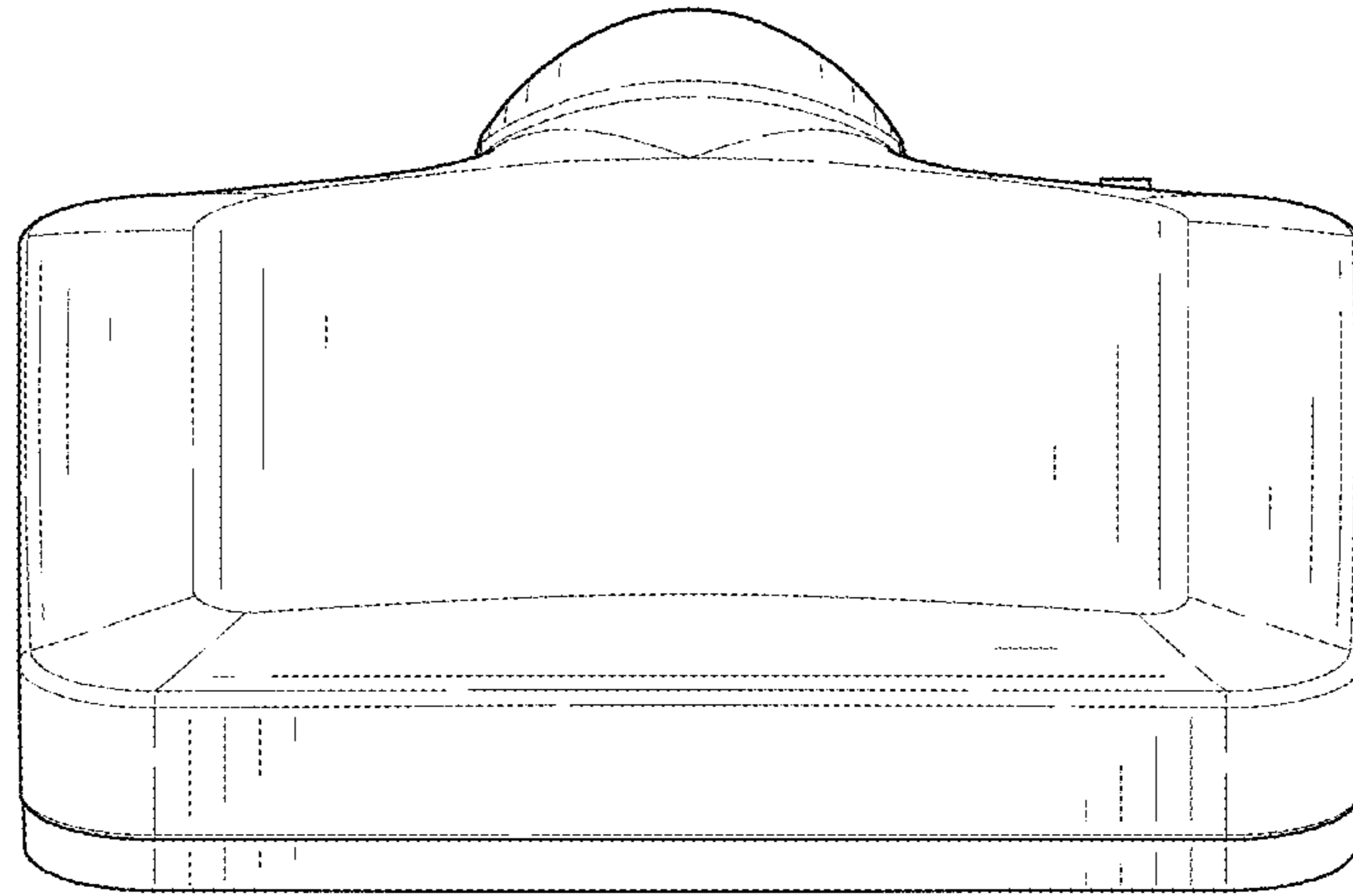


FIG. 7

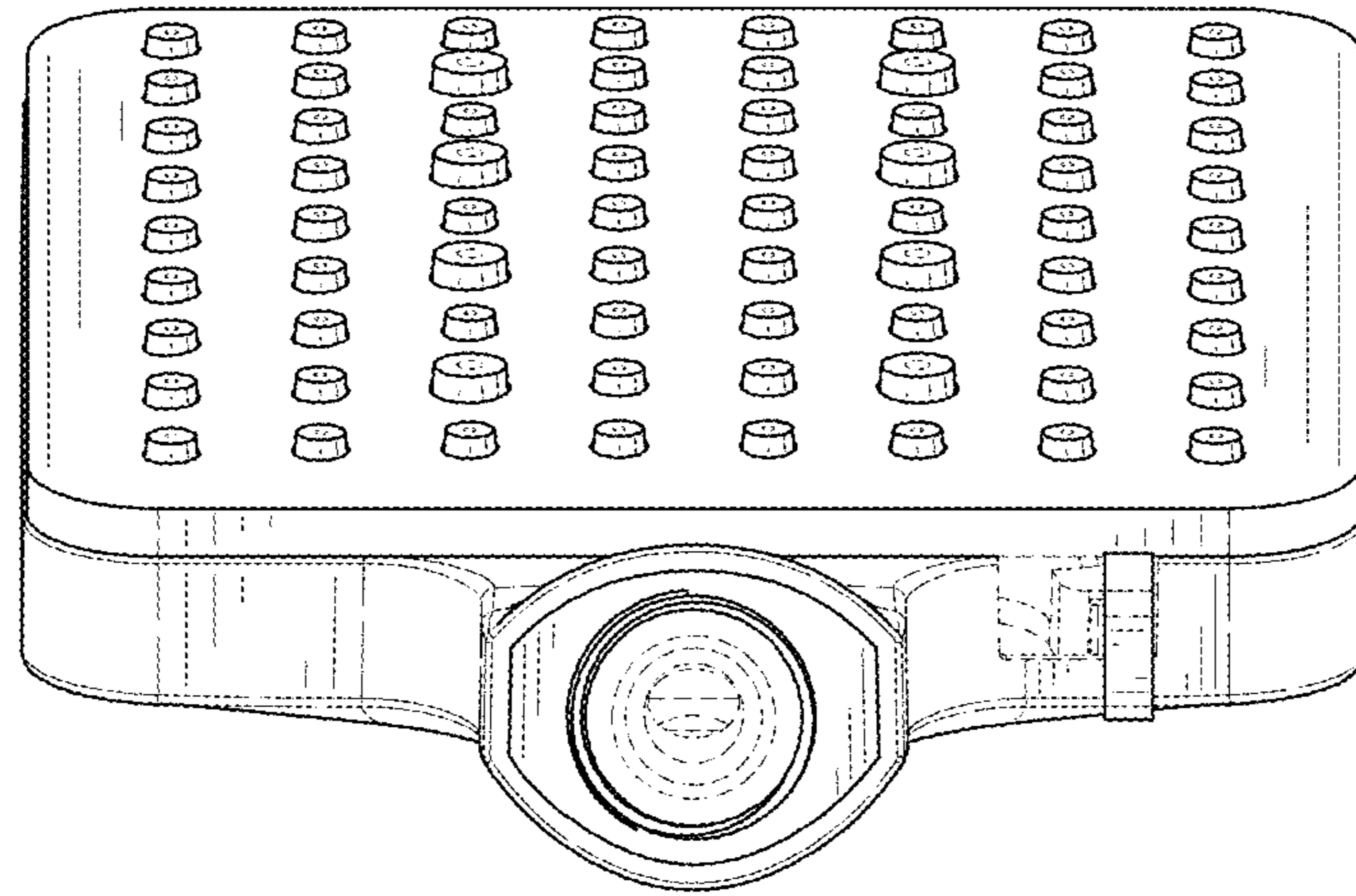


FIG. 8

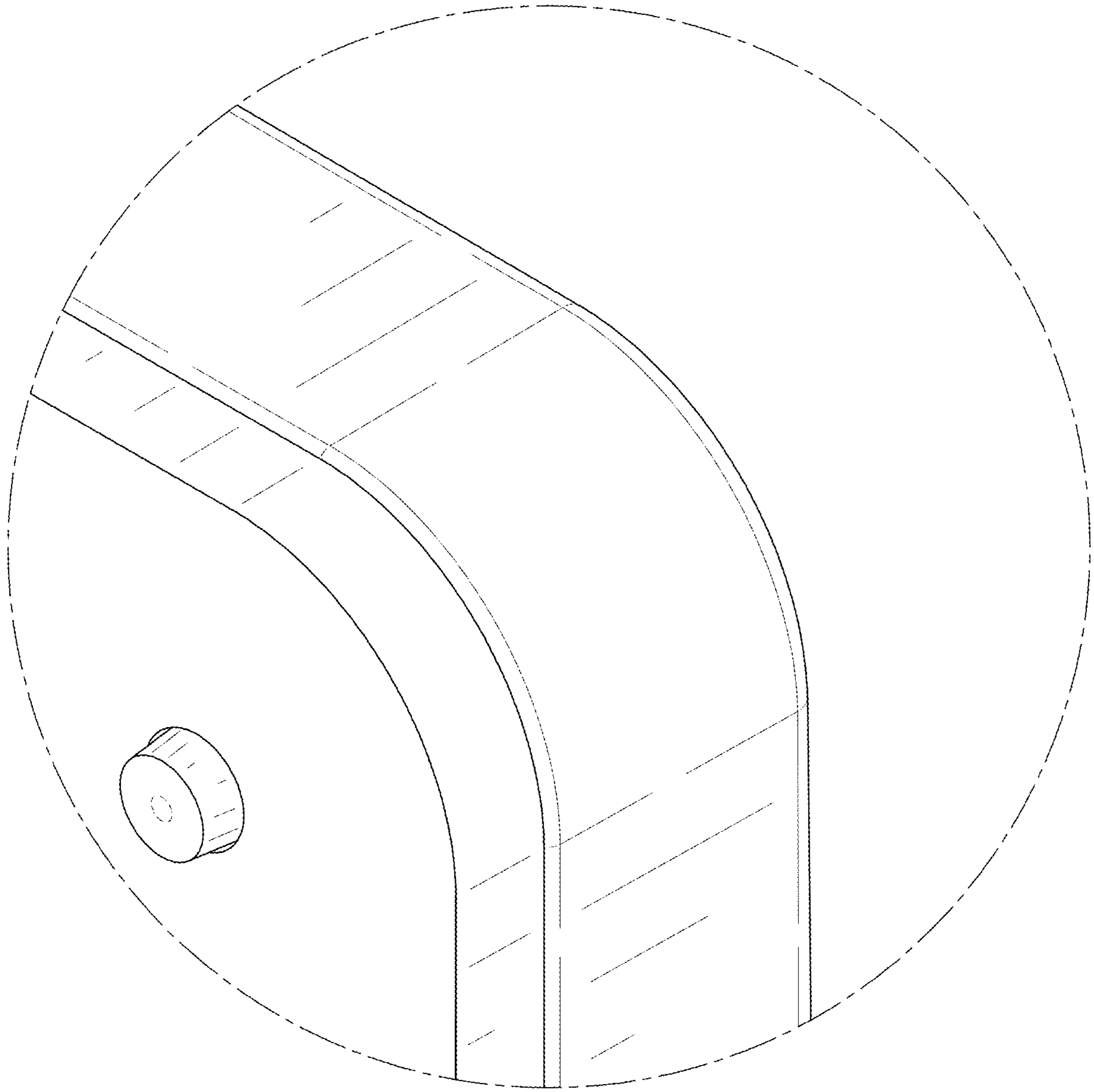


FIG. 9

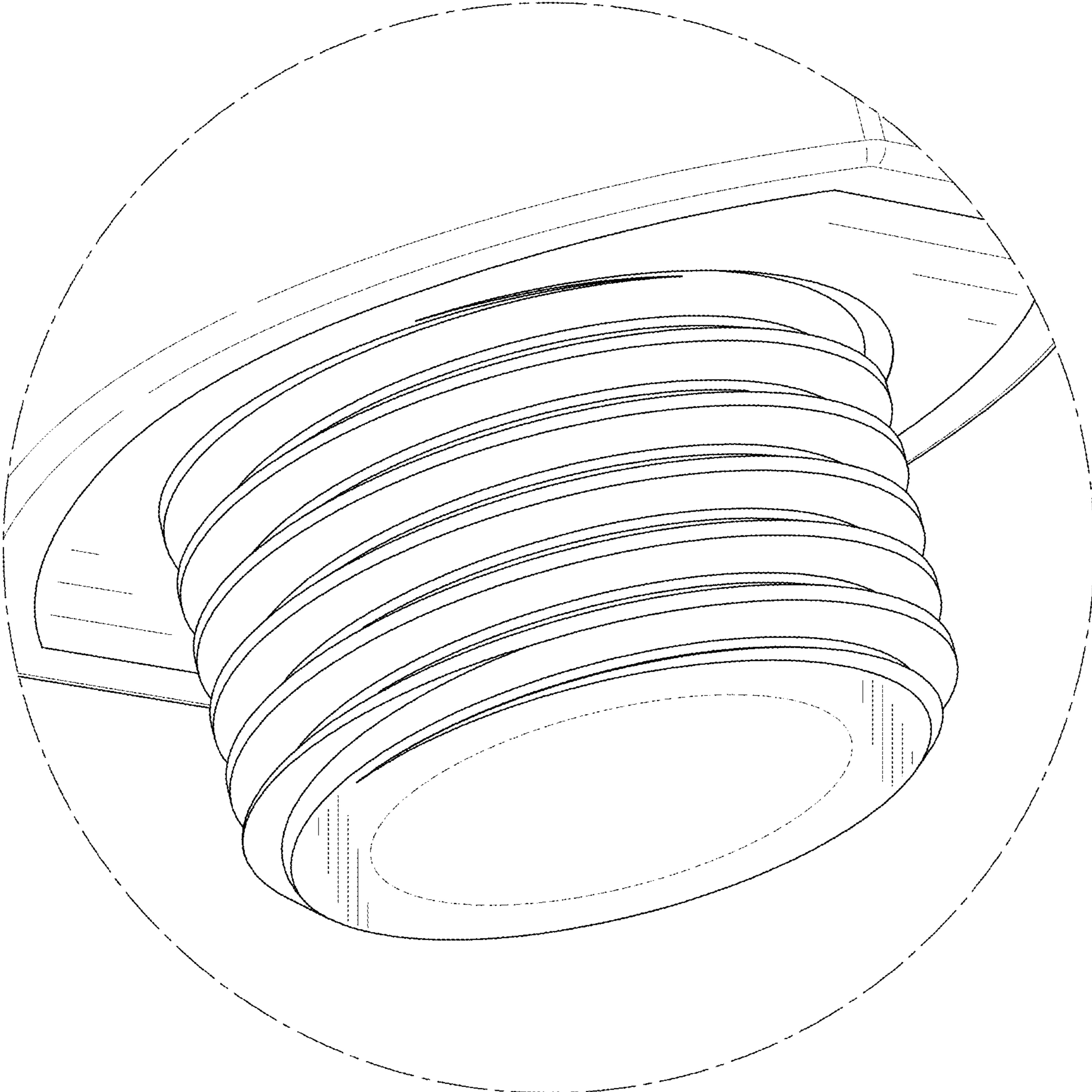


FIG. 10