



US00D919043S

(12) **United States Design Patent**
Yin et al.

(10) **Patent No.:** **US D919,043 S**

(45) **Date of Patent:** **** May 11, 2021**

(54) **CO2 CARTRIDGE ADAPTER**

(71) Applicants: **Chunhui Yin**, Hunan (CN); **Guoyin Zou**, Hunan (CN)

(72) Inventors: **Chunhui Yin**, Hunan (CN); **Guoyin Zou**, Hunan (CN)

(**) Term: **15 Years**

(21) Appl. No.: **29/758,180**

(22) Filed: **Nov. 12, 2020**

(51) **LOC (13) Cl.** **23-01**

(52) **U.S. Cl.**
USPC **D23/209**

(58) **Field of Classification Search**
USPC D23/200, 207-210, 266, 262, 263, 365
CPC B01D 35/147; B01D 2201/302; B01D 35/153; B01D 46/2411; B01D 35/1475; B01D 35/1573; B01D 2201/16; C02F 2201/006; C02F 1/001; C02F 2201/005; C02F 2209/03

See application file for complete search history.

(56) **References Cited**

U.S. PATENT DOCUMENTS

D370,964 S 6/1996 Horvath
D544,070 S * 6/2007 Flor D23/209

D707,490 S 6/2014 Hertaus
D752,707 S * 3/2016 Huda D23/209
D753,788 S * 4/2016 Huda D23/209
D753,789 S * 4/2016 Raab D23/209
D768,813 S * 10/2016 Dong D23/209
D913,417 S * 3/2021 Huaping D23/209

* cited by examiner

Primary Examiner — Gino Colan

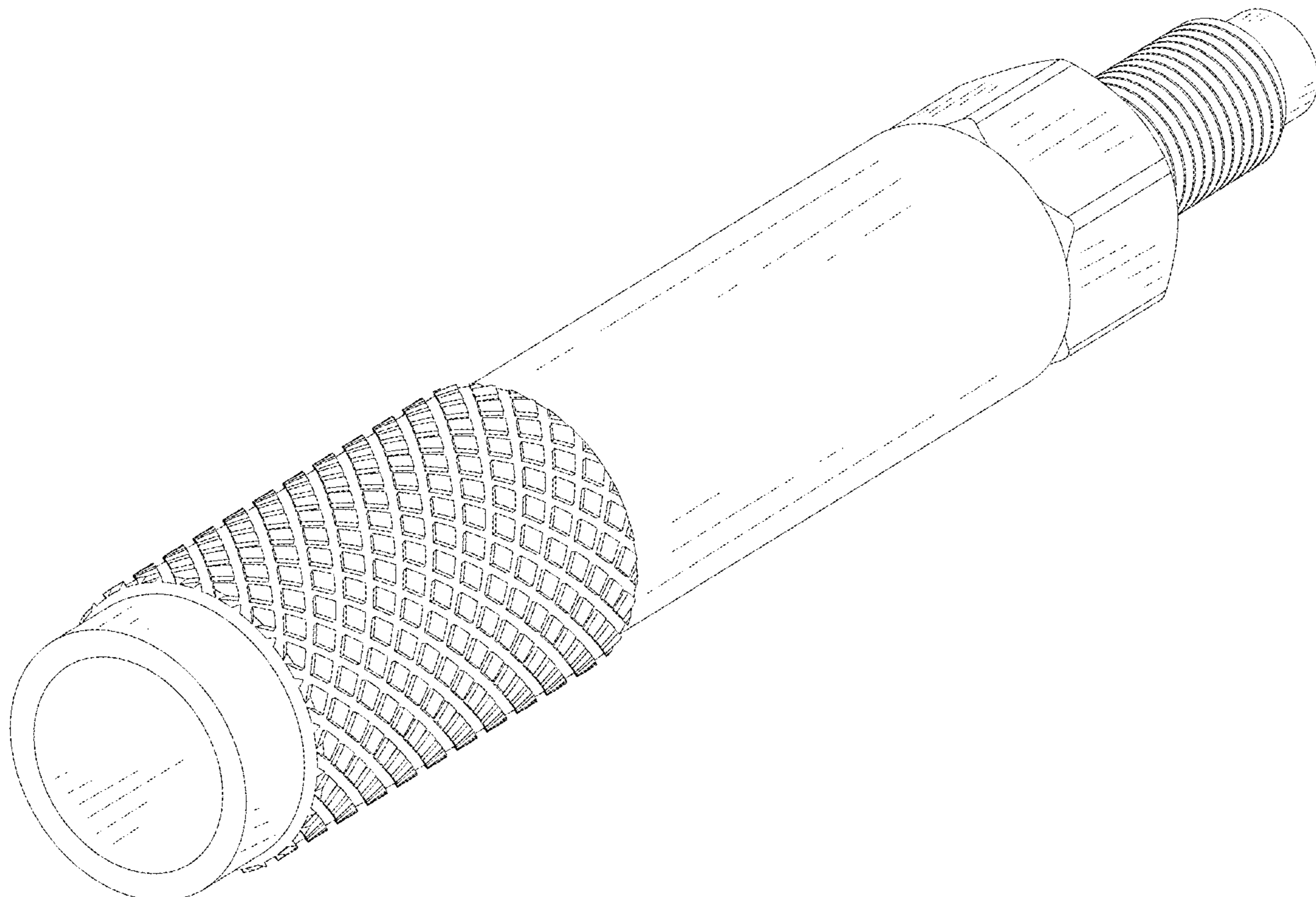
(57) **CLAIM**

The ornamental design for a CO2 cartridge adapter, as shown and described.

DESCRIPTION

FIG. 1 is a perspective view of a CO2 cartridge adapter showing our new design,
FIG. 2 is perspective view thereof, shown in an open position;
FIG. 3 is a front view thereof;
FIG. 4 is a back view thereof;
FIG. 5 is a left side thereof;
FIG. 6 is a right side thereof.
FIG. 7 is a top view thereof; and,
FIG. 8 is a bottom view thereof.

1 Claim, 8 Drawing Sheets



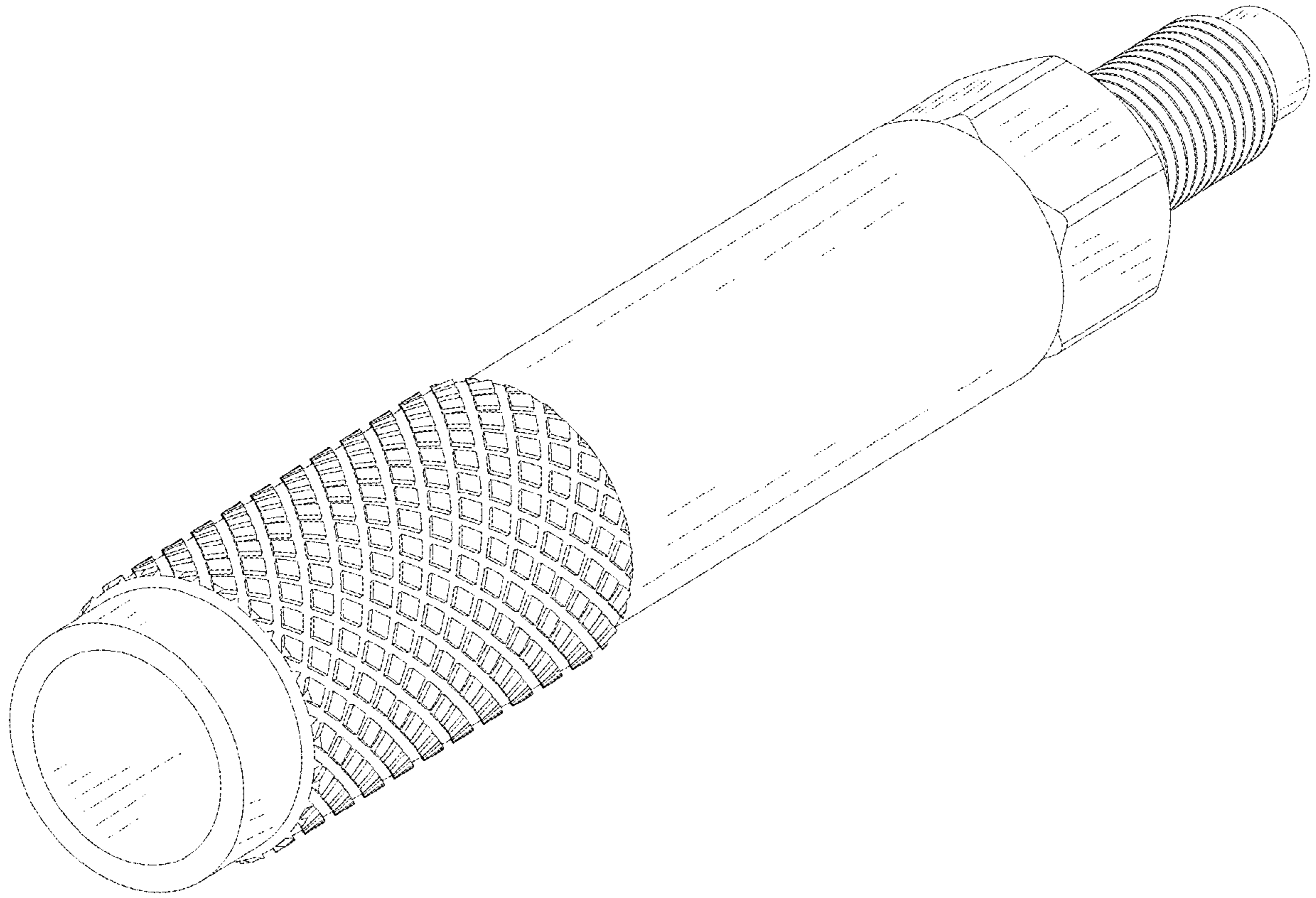


FIG.1

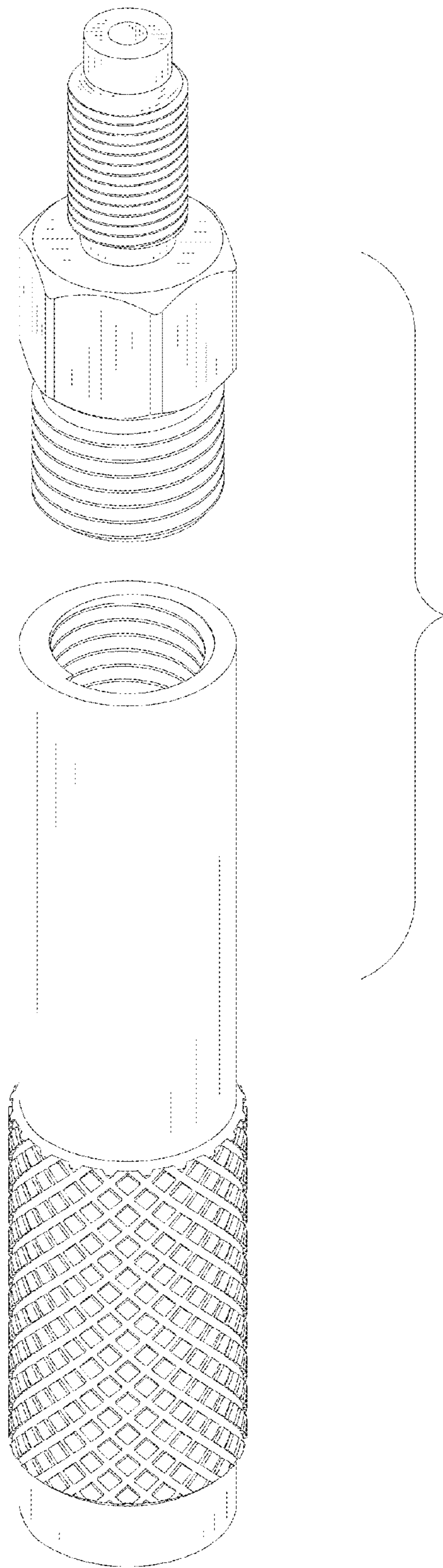


FIG. 2

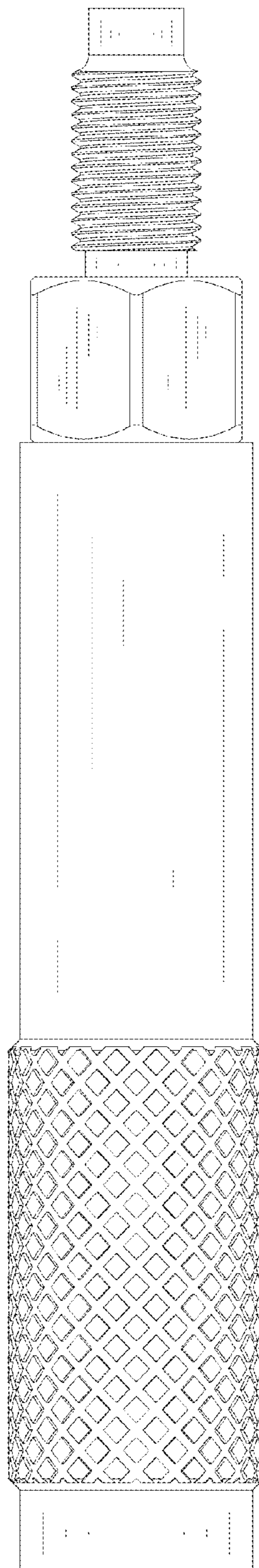


FIG. 3

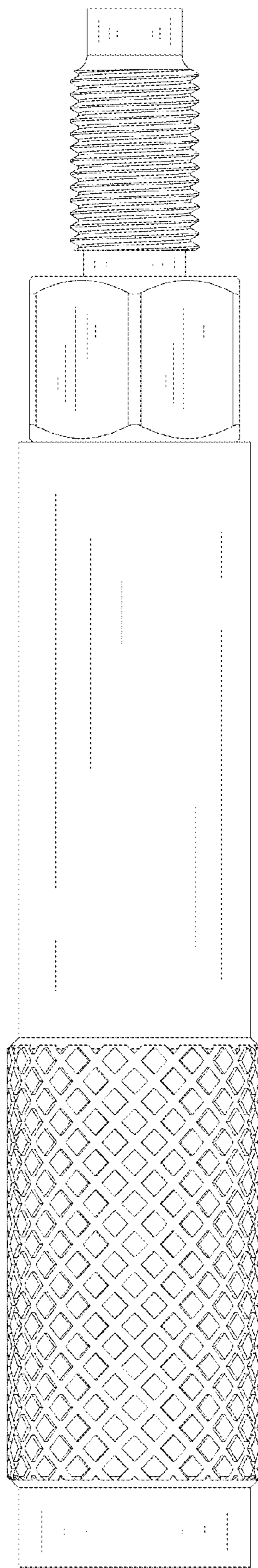


FIG. 4

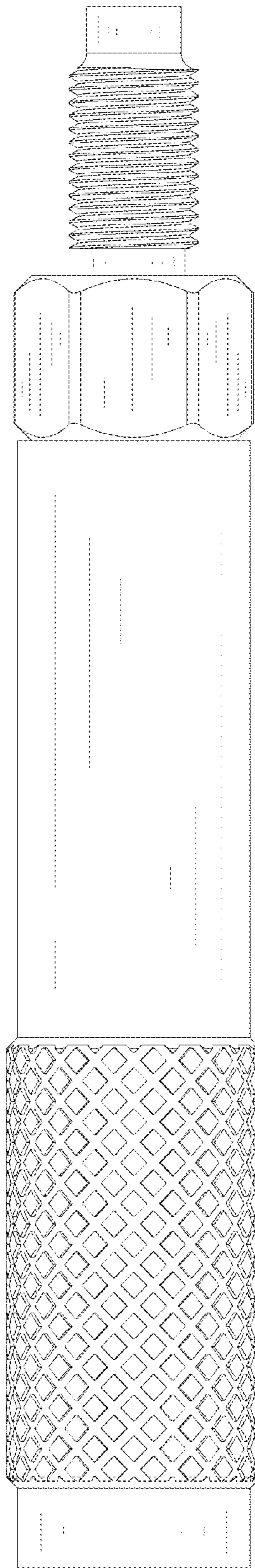


FIG. 5

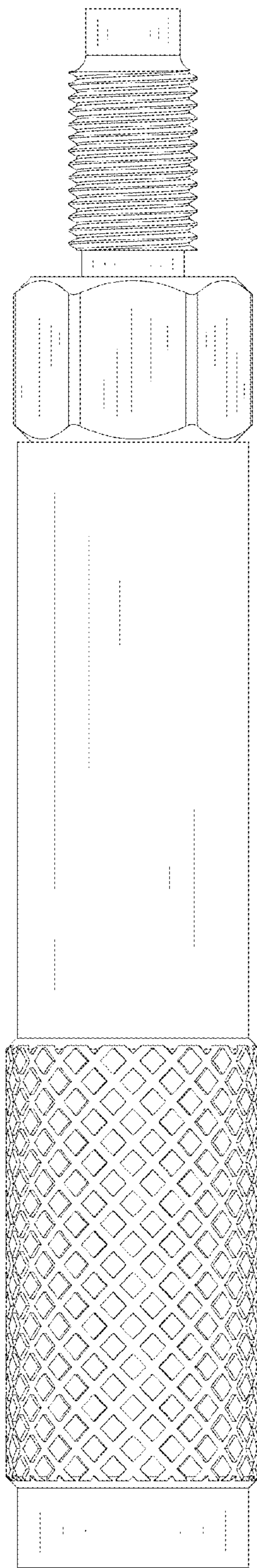


FIG. 6

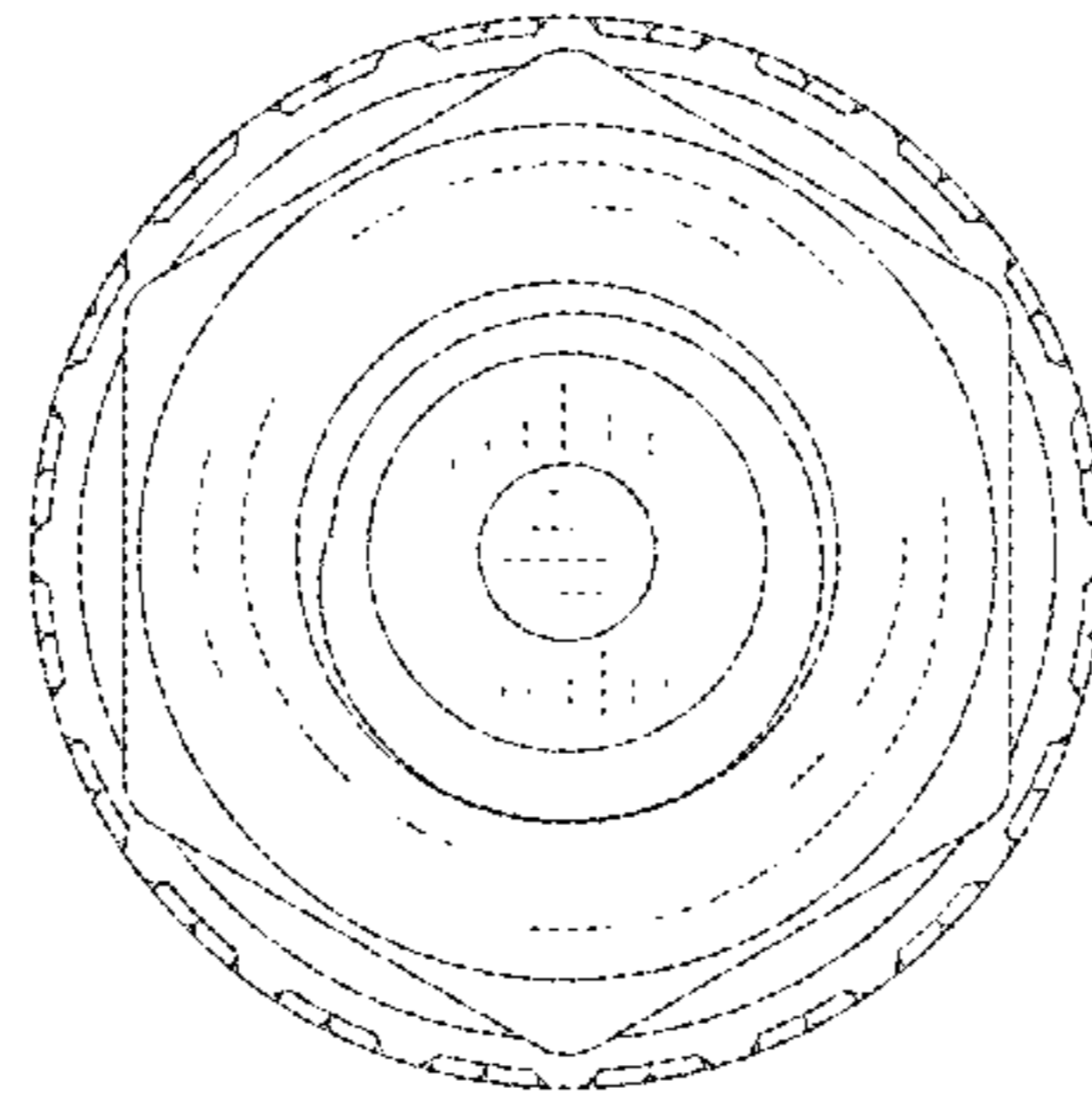


FIG. 7

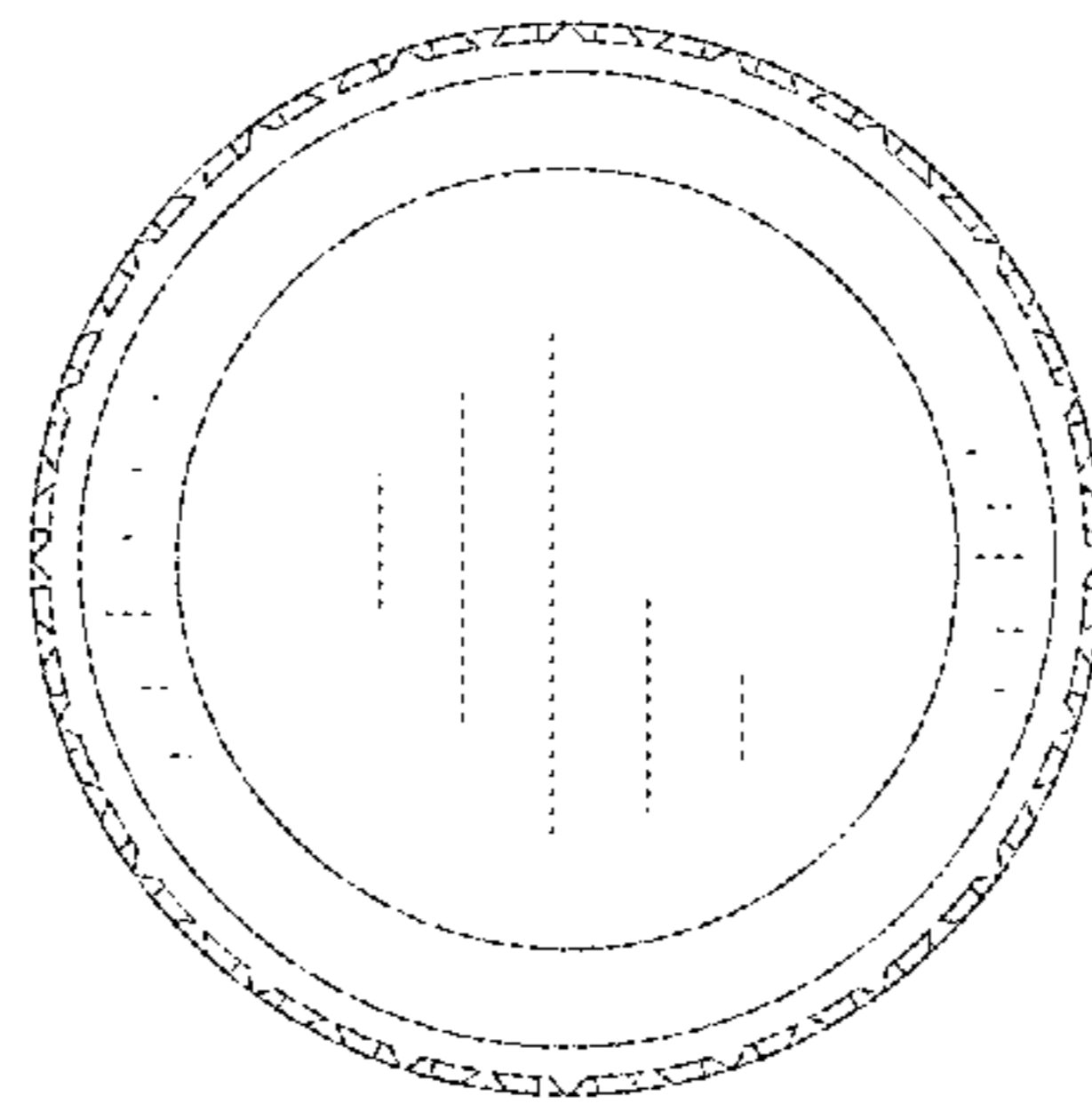


FIG. 8