



US00D919041S

(12) **United States Design Patent** (10) **Patent No.:** **US D919,041 S**  
**Lu** (45) **Date of Patent:** **\*\* May 11, 2021**

(54) **FILTER** D883,426 S \* 5/2020 Lu ..... D23/209  
D886,940 S \* 6/2020 Zou ..... D23/209  
(71) Applicant: **TIANJIN PREMIUM** D886,941 S \* 6/2020 Zou ..... D23/209  
**E-COMMERCE CO., LTD.**, Tianjin D892,264 S \* 8/2020 Zou ..... D23/209  
(CN) D894,332 S \* 8/2020 Huaping ..... D23/209  
D894,333 S \* 8/2020 Huaping ..... D23/209  
(72) Inventor: **Jun Lu**, Baotou (CN) 2009/0200217 A1 \* 8/2009 Kim ..... C02F 1/003  
210/136  
2020/0197846 A1 \* 6/2020 Yoon ..... C02F 1/441

(\*\*) Term: **15 Years**

(21) Appl. No.: **29/696,103**

(22) Filed: **Jun. 25, 2019**

(30) **Foreign Application Priority Data**

Apr. 30, 2019 (CN) ..... 201930209057.6

(51) **LOC (13) Cl.** ..... **23-01**

(52) **U.S. Cl.**  
USPC ..... **D23/209**

(58) **Field of Classification Search**  
USPC ..... D23/202, 205, 207-210, 259-262  
CPC ..... B01D 2201/29; B01D 2201/30; B01D  
2201/301; B01D 2201/302; B01D  
2201/306; B01D 2201/309; B01D 35/30;  
C02F 1/002  
See application file for complete search history.

(56) **References Cited**

**U.S. PATENT DOCUMENTS**

D776,237 S \* 1/2017 Dong ..... D23/207  
D820,948 S \* 6/2018 An ..... D23/209  
D835,752 S \* 12/2018 Spiegel ..... D23/209  
D845,433 S \* 4/2019 Zou ..... D23/209  
D845,434 S \* 4/2019 Zou ..... D23/209  
D856,472 S \* 8/2019 Zou ..... D23/209  
D857,840 S \* 8/2019 Lu ..... D23/209  
D857,841 S \* 8/2019 Lu ..... D23/209  
D865,119 S \* 10/2019 An ..... D23/209  
D875,209 S \* 2/2020 Zou ..... D23/209

**FOREIGN PATENT DOCUMENTS**

KR 300877481.0000 \* 4/2016

**OTHER PUBLICATIONS**

Pureplus, announced Date May 4, 2017[online], [site visited Sep. 29, 2020], Available from internet, URL:<<https://www.amazon.ca/dp/B01NAKSM21>> (Year: 2017).\*

(Continued)

*Primary Examiner* — Barbara Fox

*Assistant Examiner* — Jamaal Rasheed

(74) *Attorney, Agent, or Firm* — Yanling Jiang

(57) **CLAIM**

The ornamental design for a filter, as shown and described.

**DESCRIPTION**

FIG. 1 is a top right perspective view of a filter, showing my new design;

FIG. 2 is a front elevation view thereof;

FIG. 3 is a rear elevation view thereof;

FIG. 4 is a top plan view thereof;

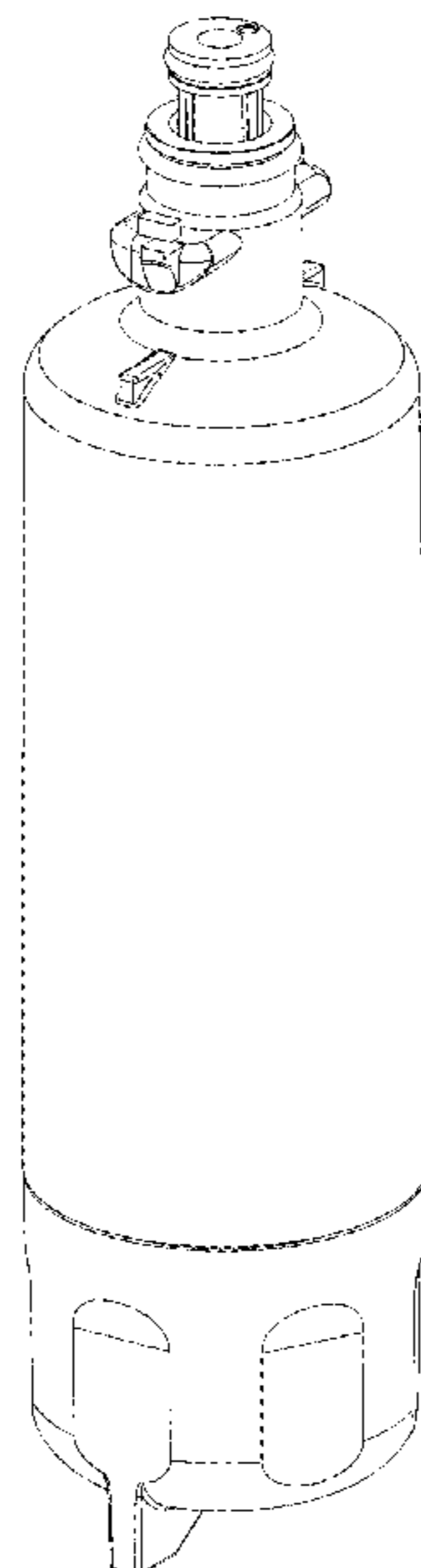
FIG. 5 is a bottom plan view thereof;

FIG. 6 is a side view thereof; and,

FIG. 7 is an opposite side view thereof.

The broken lines depict portions of the filter which form no part of the claimed design.

**1 Claim, 7 Drawing Sheets**



(56)

**References Cited**

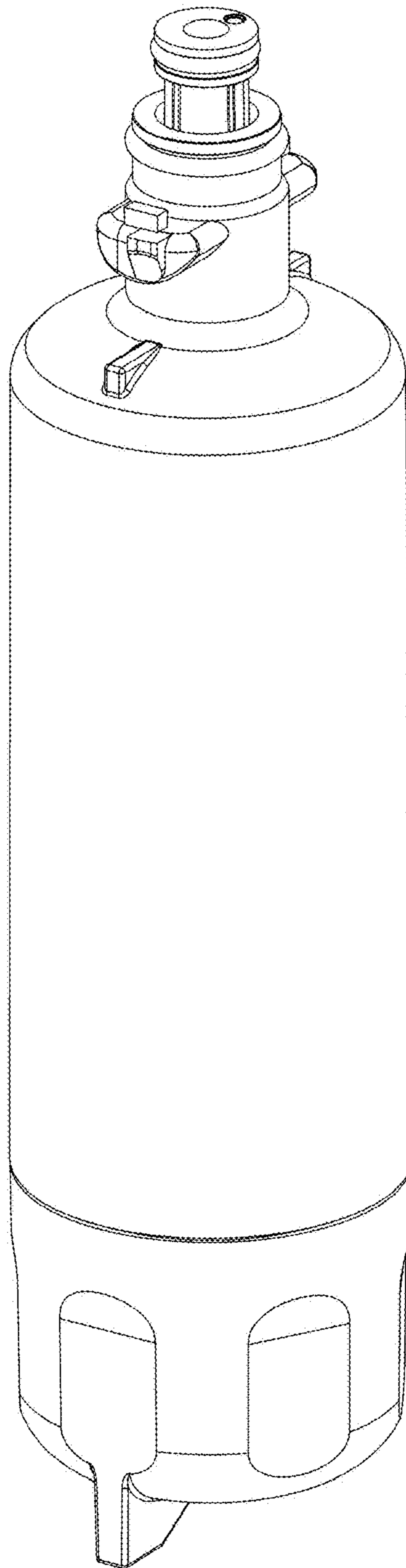
OTHER PUBLICATIONS

EFF-6019AK, announced Date Unavailable[online], [site visited Oct. 6, 2020], Available from internet, URL:<<http://www.ecopurefilter.com/article/20.html>> (Year: 2020).\*

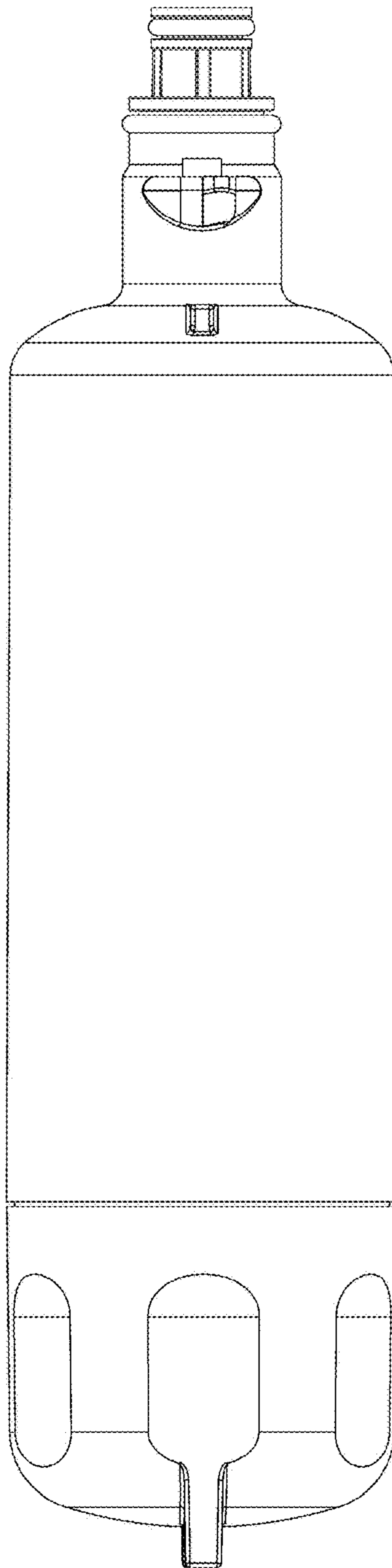
Aqua Crest, announced Date Jun. 29, 2018[online], [site visited Sep. 29, 2020], Available from internet, URL:<<https://www.amazon.ca/dp/B07K6DWB3>> (Year: 2018).\*

Odoga, announced Date May 23, 2016[online], [site visited Sep. 29, 2020], Available from internet, URL:<<https://www.amazon.ca/dp/B01G0IY9YS>> (Year: 2016).\*

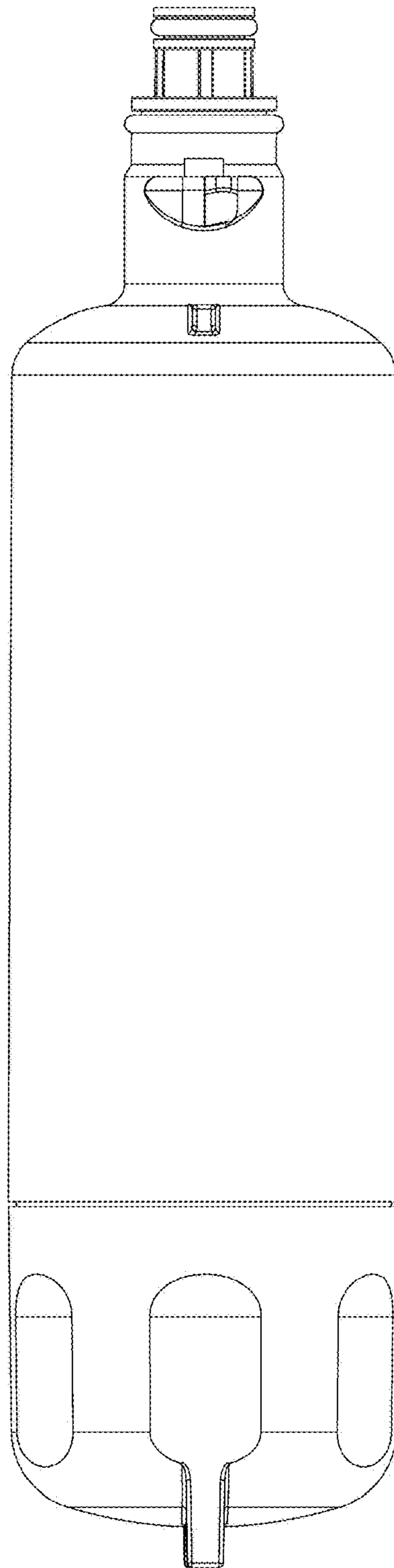
\* cited by examiner



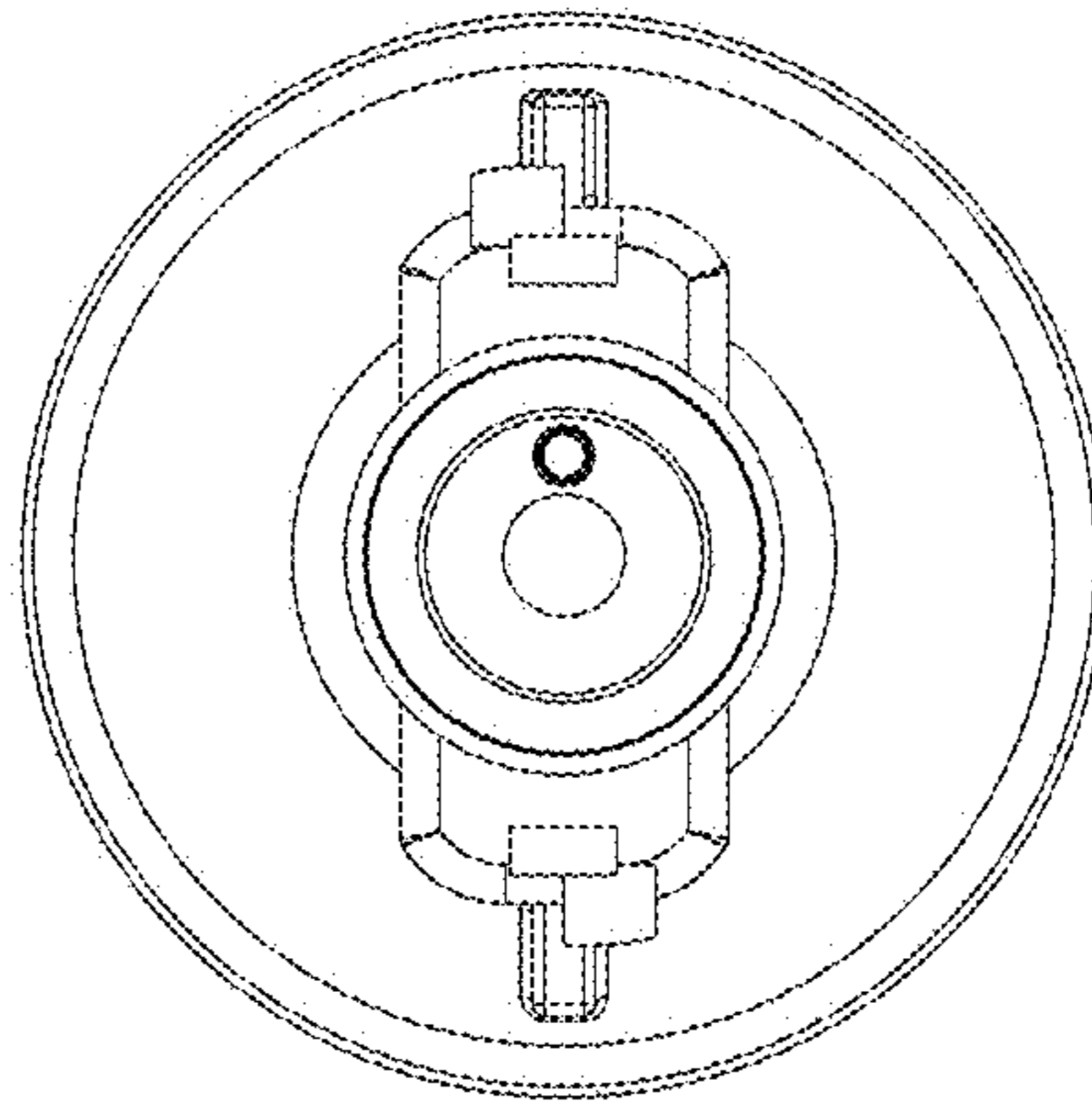
**Fig. 1**



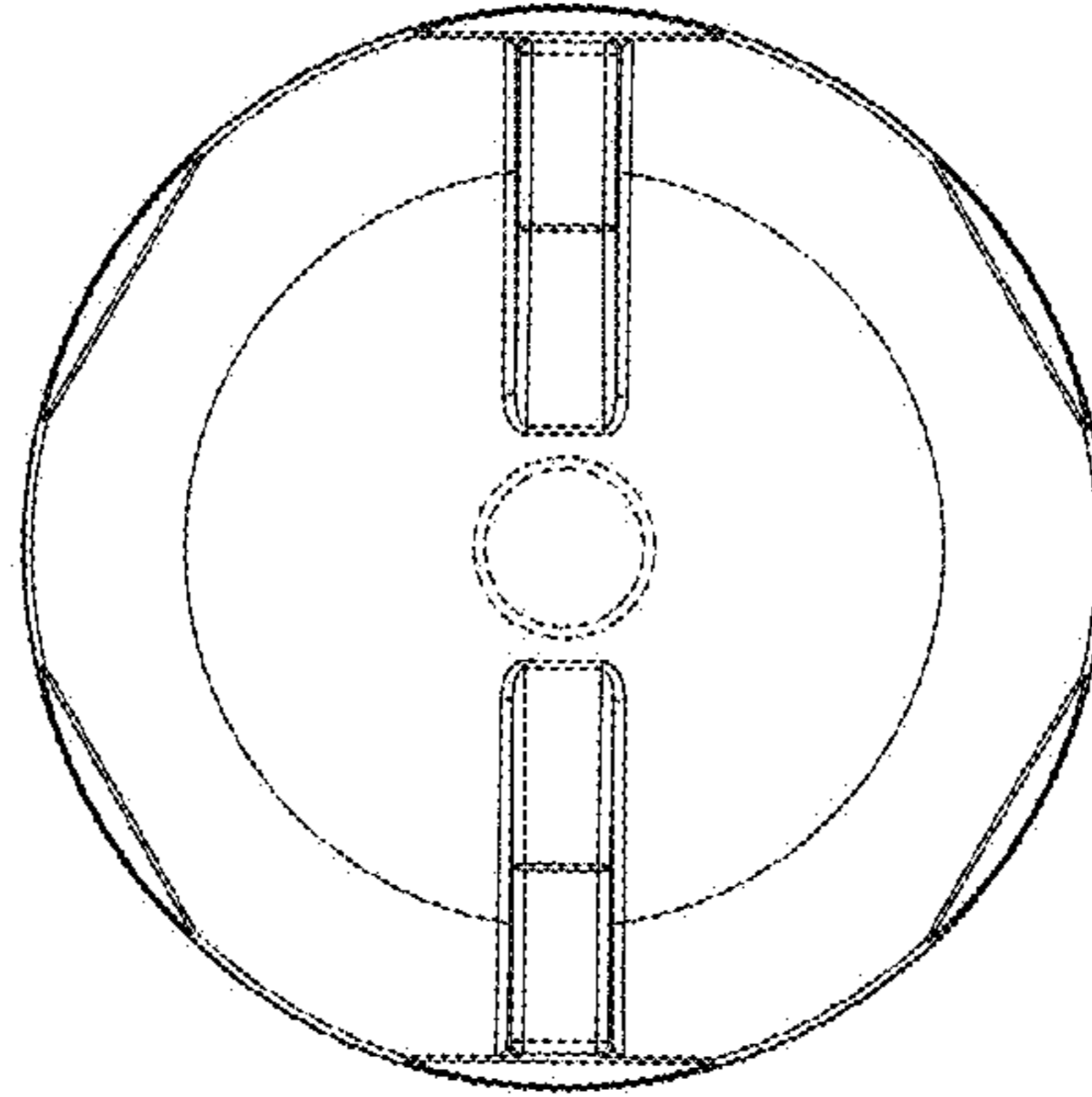
**Fig. 2**



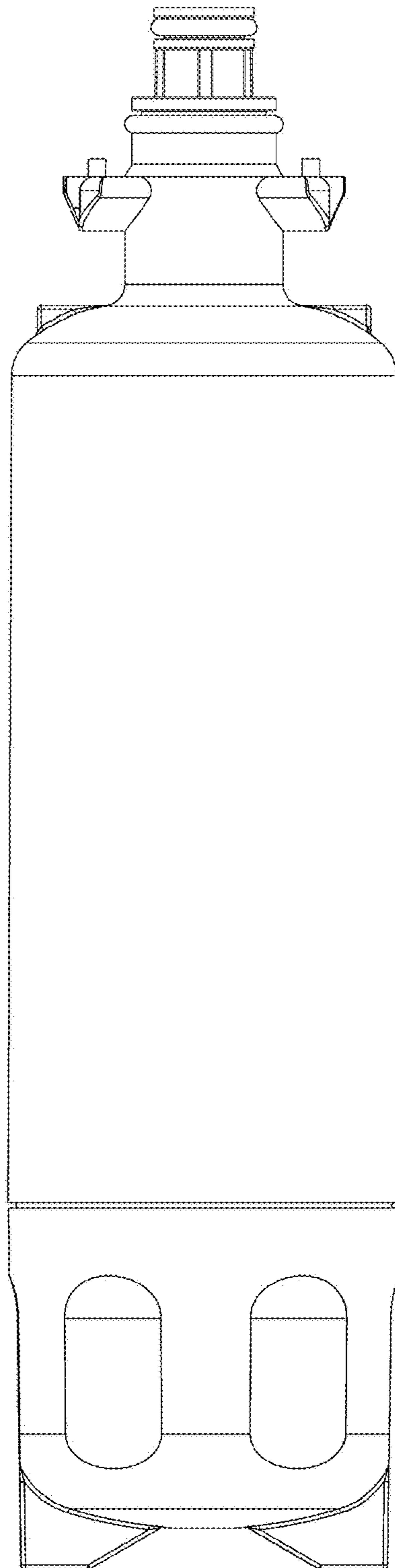
**Fig. 3**



**Fig. 4**

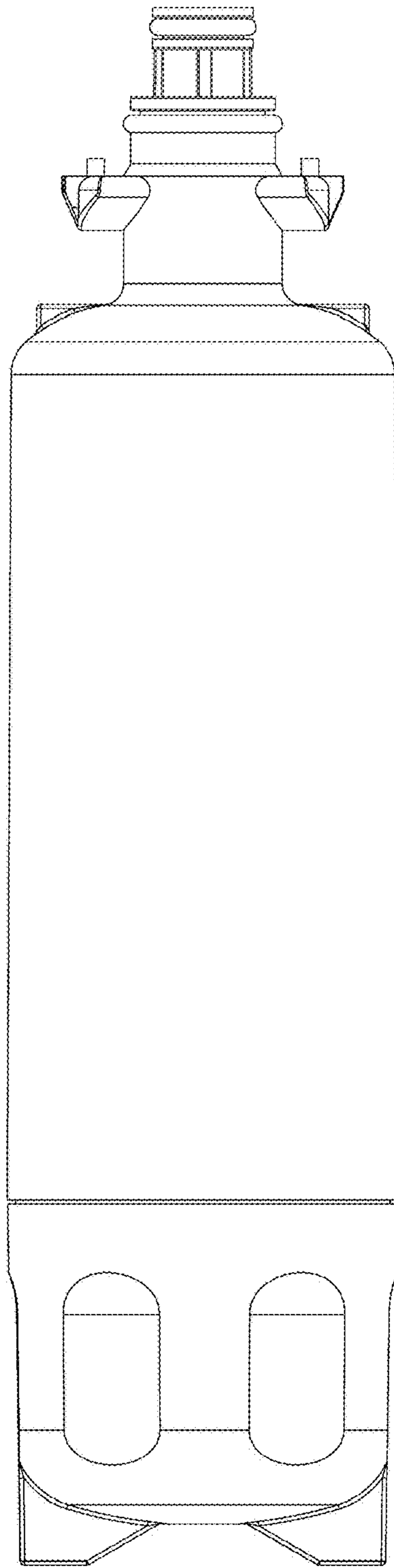


**Fig. 5**



**Fig. 6**





**Fig. 7**