



US00D919039S

(12) **United States Design Patent** (10) **Patent No.:** **US D919,039 S**
Luo (45) **Date of Patent:** **** May 11, 2021**

(54) **INSECT KILLER LAMP**

D898,864 S 10/2020 Qiu
D900,957 S 11/2020 Du
2006/0021274 A1* 2/2006 Chen A01M 1/04
43/112

(71) Applicant: **Rechar Inc**, Strasburg, CO (US)

(72) Inventor: **LiKang Luo**, Strasburg, CO (US)

(73) Assignee: **Rechar Inc**, Strasburg, CO (US)

(**) Term: **15 Years**

(21) Appl. No.: **29/763,727**

(22) Filed: **Dec. 23, 2020**

(51) **LOC (13) Cl.** **22-06**

(52) **U.S. Cl.**

USPC **D22/123**

(58) **Field of Classification Search**

USPC D22/123, 122; 43/107, 112–114, 121,
43/131, 132.1; D23/366–369;
D26/37–38, 41; 362/157, 162, 171

CPC A01M 1/04; A01M 1/023; A01M 1/223;
A01M 1/06; A01M 2200/012; C25B 1/00

See application file for complete search history.

(56) **References Cited**

U.S. PATENT DOCUMENTS

- 424,729 A * 1/1890 Scherer 43/112
- 1,848,614 A * 3/1932 Folmer etal A01M 1/04
43/112
- 3,473,251 A * 10/1969 Kahn A01M 1/04
43/112
- D292,306 S * 10/1987 Rottenberg D22/123
- D302,577 S * 8/1989 Lee D22/123
- 5,515,643 A * 5/1996 Lin A01M 1/04
43/112
- D542,371 S * 5/2007 Chen D22/123

OTHER PUBLICATIONS

Zap N Trap Plastic Outdoor Insect Trap/Bug Zapper—40 W...https://www.webstaurantstore.com/zap-n-trap-plastic-outdoor-insect-trap-bug-zapper-1-acre-coverage-40w/605BZ40WOUT.html?utm_source=google&utm_medium=cpc&utm_campaign=GoogleShopping&gclid=EALalQobChMlmbLq2uOp7wIVC4vlCh2ElgnrEAQYCyABEgLZT_D_BwE (Year: 2017).*

* cited by examiner

Primary Examiner — Catherine R Oliver-Garcia
(74) *Attorney, Agent, or Firm* — ScienBiziP, P.C.

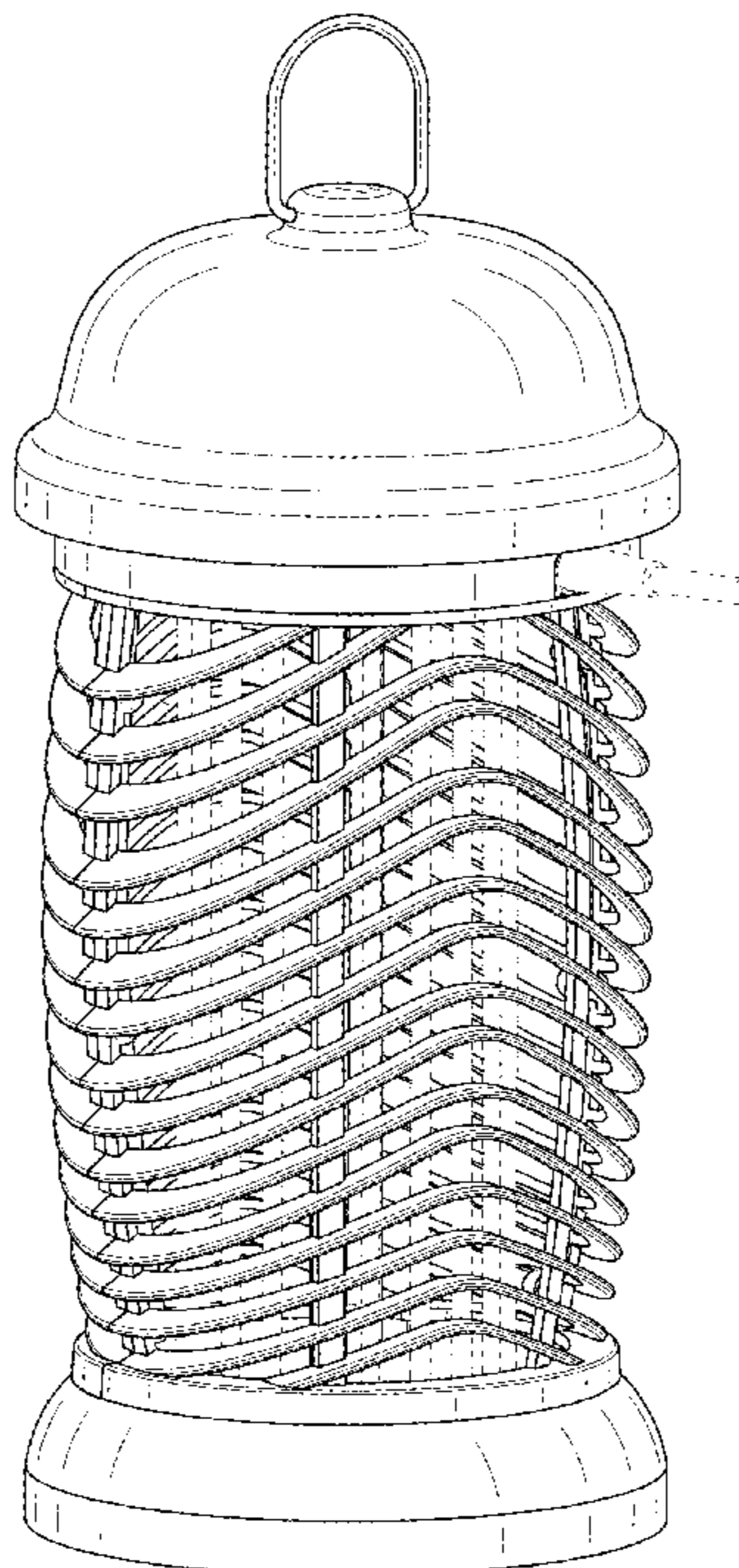
(57) **CLAIM**

The ornamental design for an insect killer lamp, as shown and described.

DESCRIPTION

FIG. 1 is a front perspective view of an insect killer lamp, showing my design.
FIG. 2 is a rear and bottom perspective view thereof.
FIG. 3 is a front elevation view thereof.
FIG. 4 is a rear elevation view thereof.
FIG. 5 is a left side elevation view thereof.
FIG. 6 is a right side elevation view thereof.
FIG. 7 is a top plan view thereof; and,
FIG. 8 is a bottom plan view thereof.
The broken lines in the drawings depict portions of the insect killer lamp that form no part of the claimed design.

1 Claim, 8 Drawing Sheets



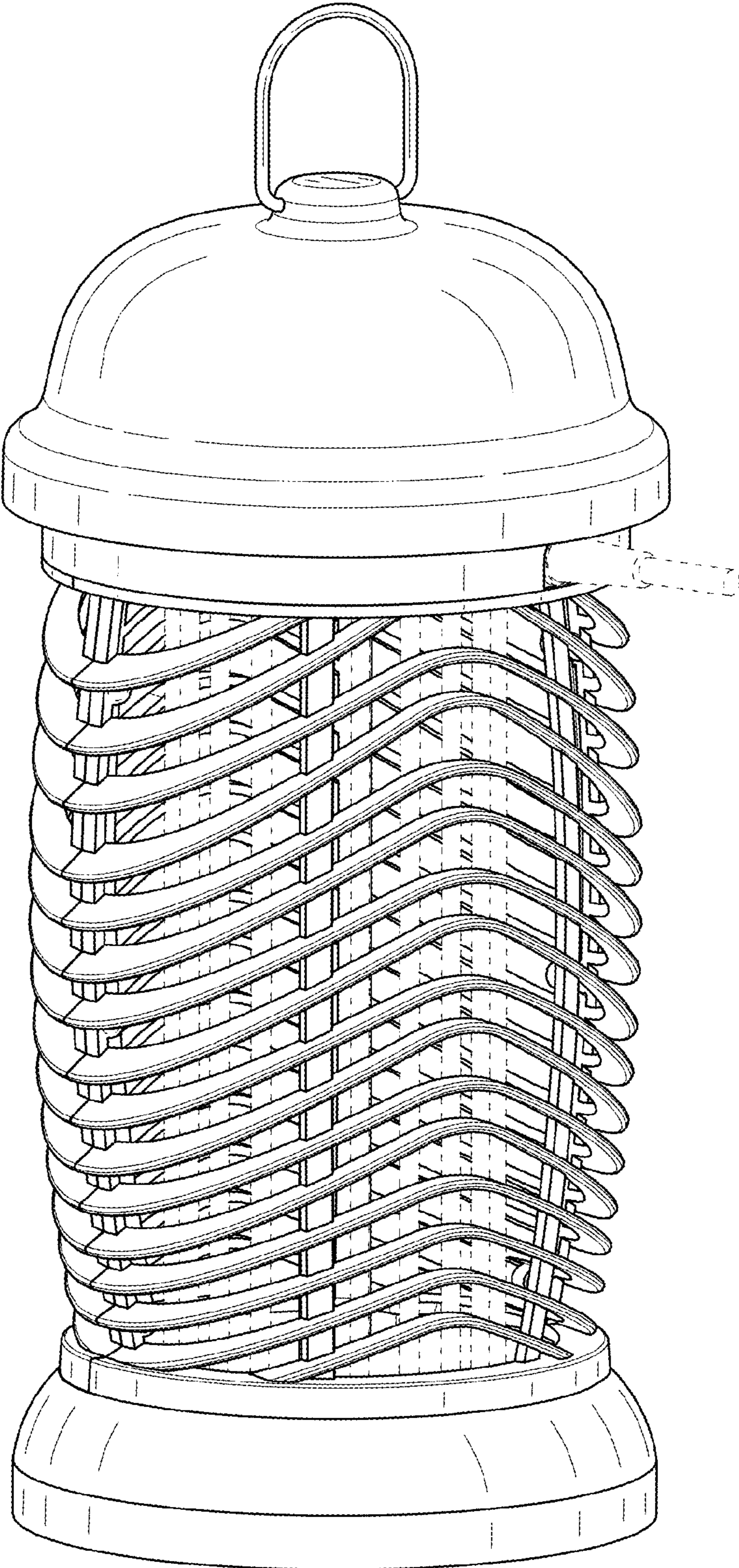


FIG.1

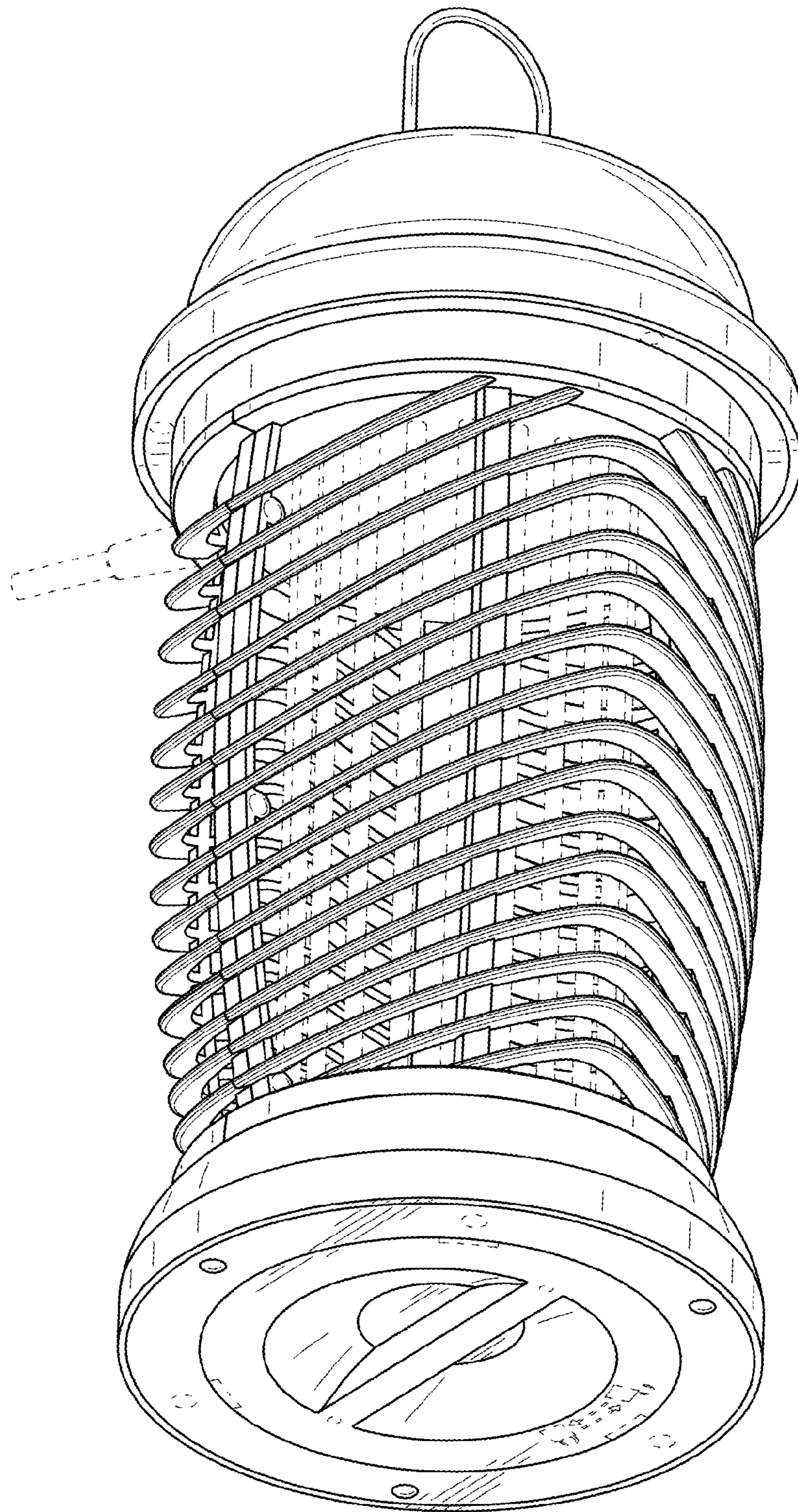


FIG.2

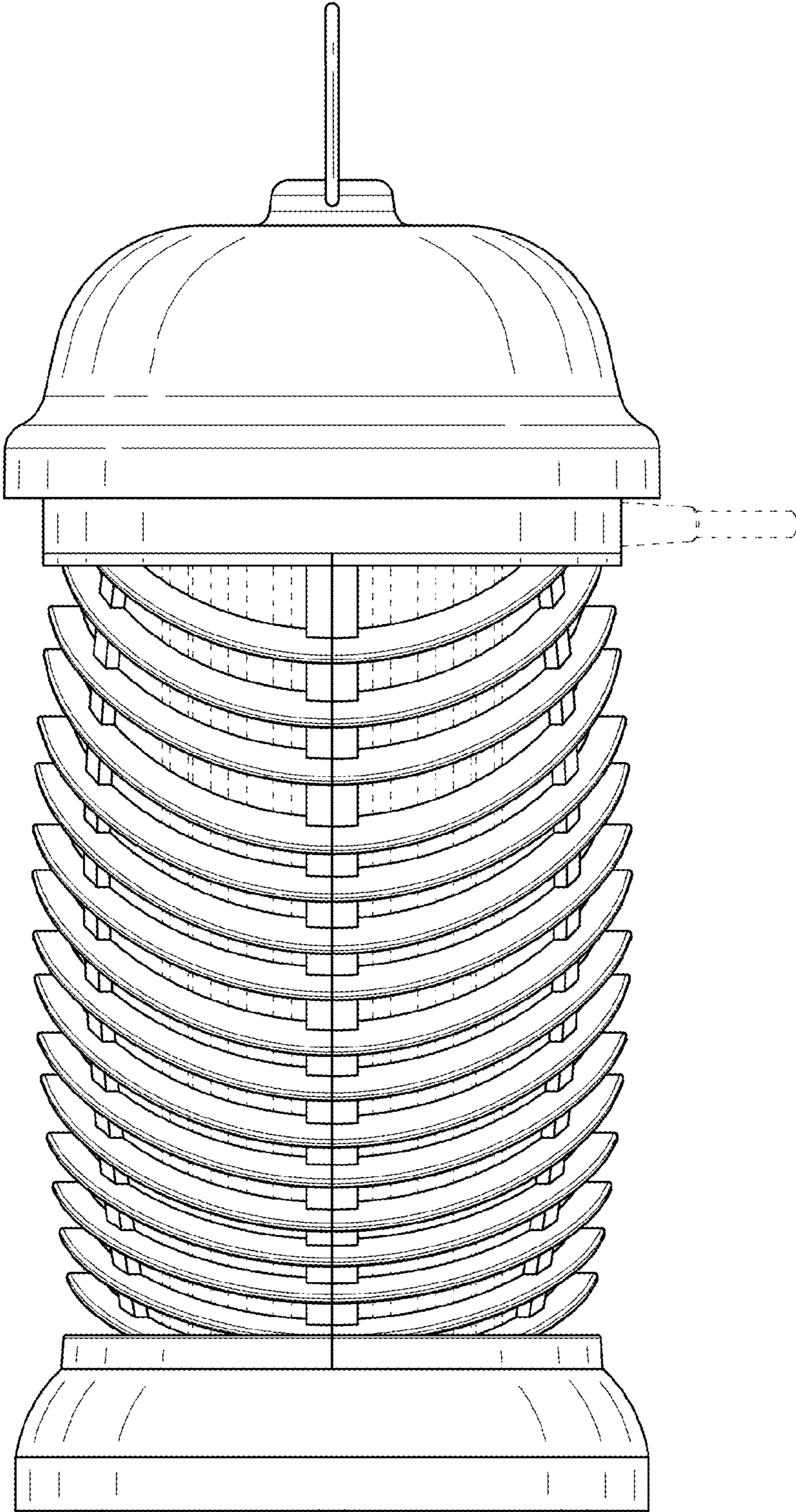


FIG. 3

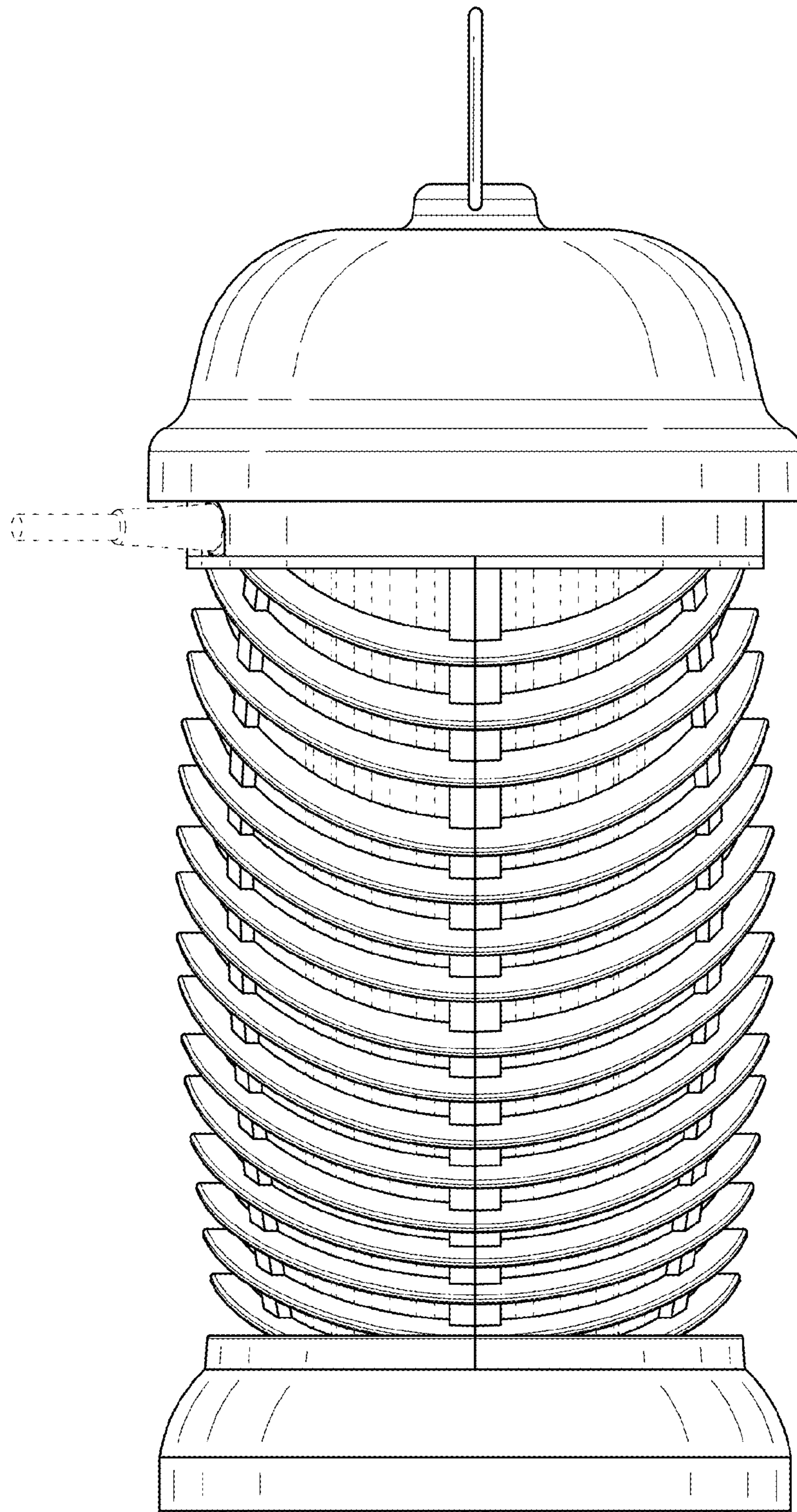


FIG.4

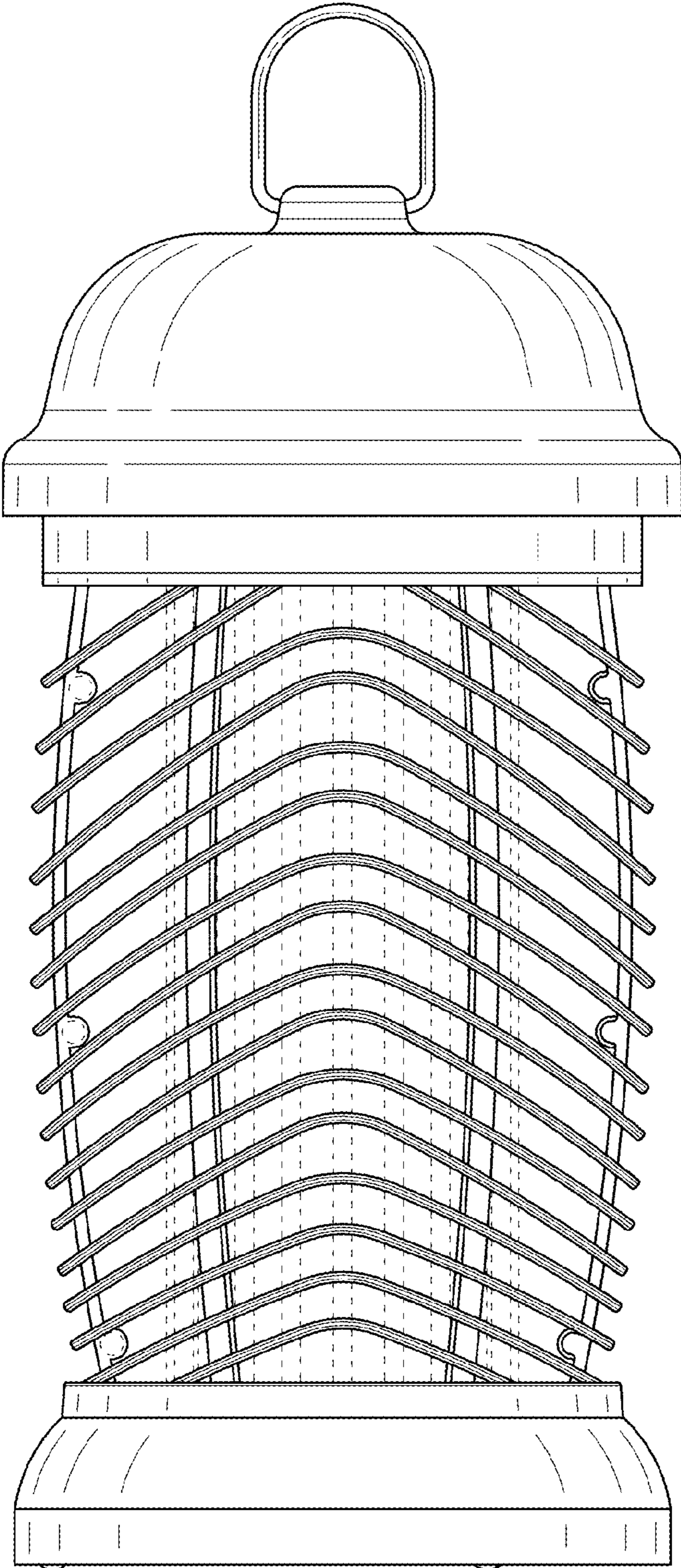


FIG.5

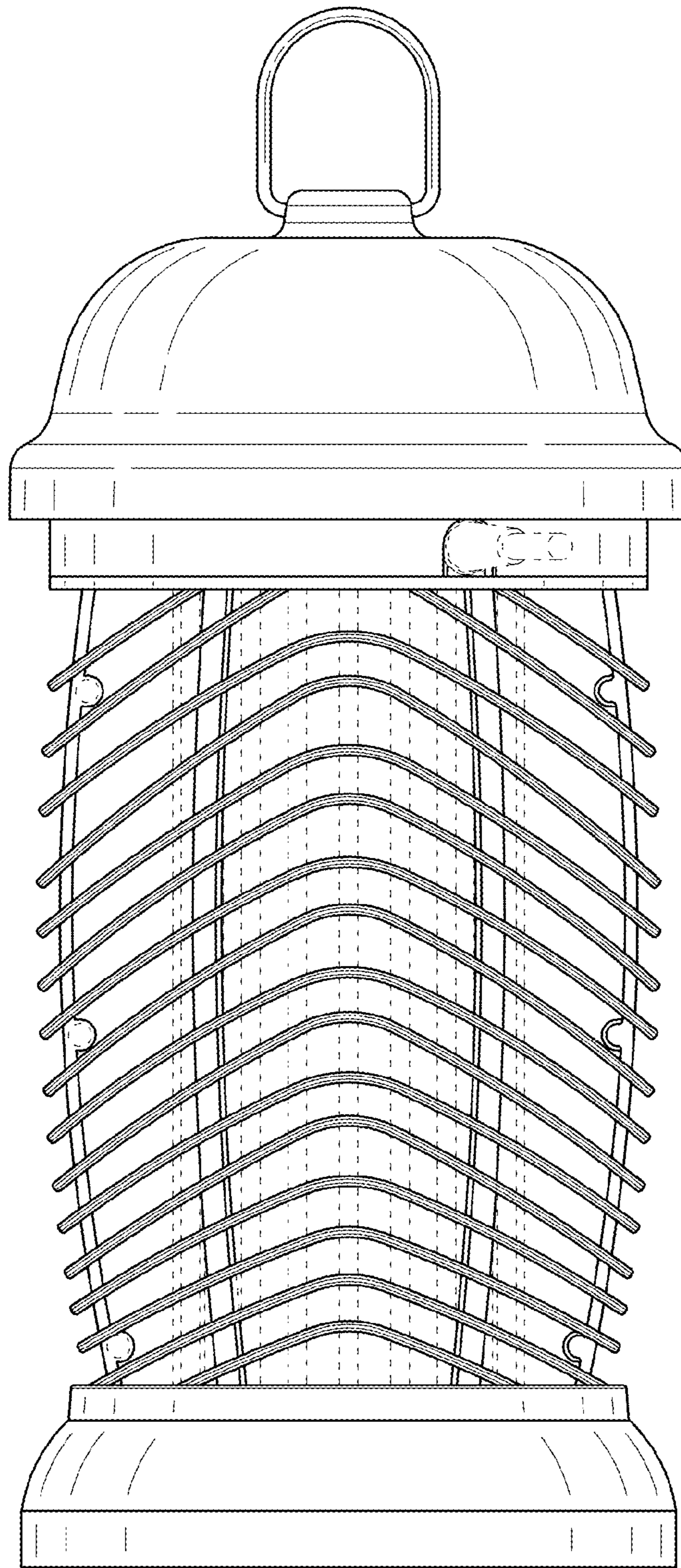


FIG. 6

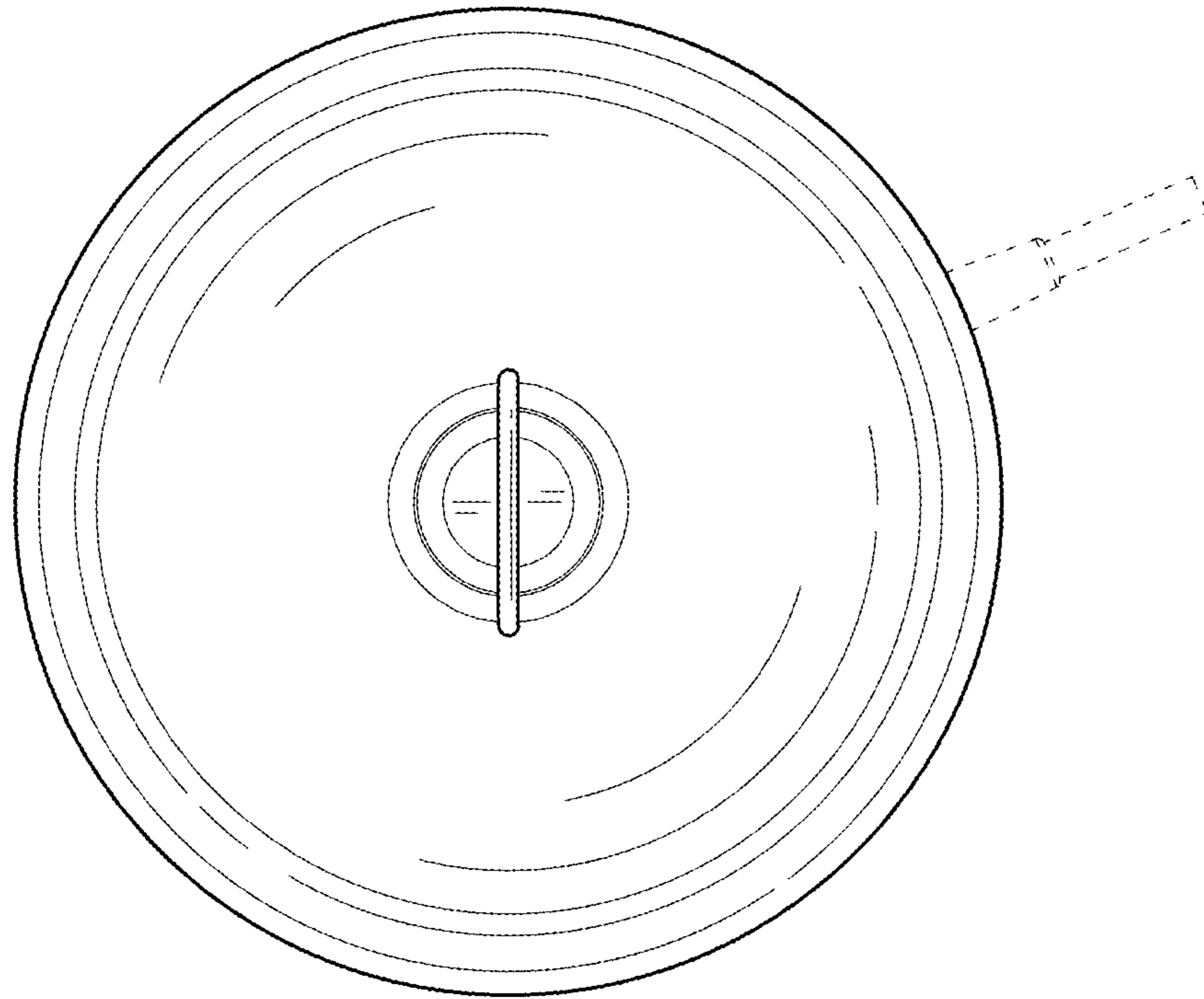


FIG.7

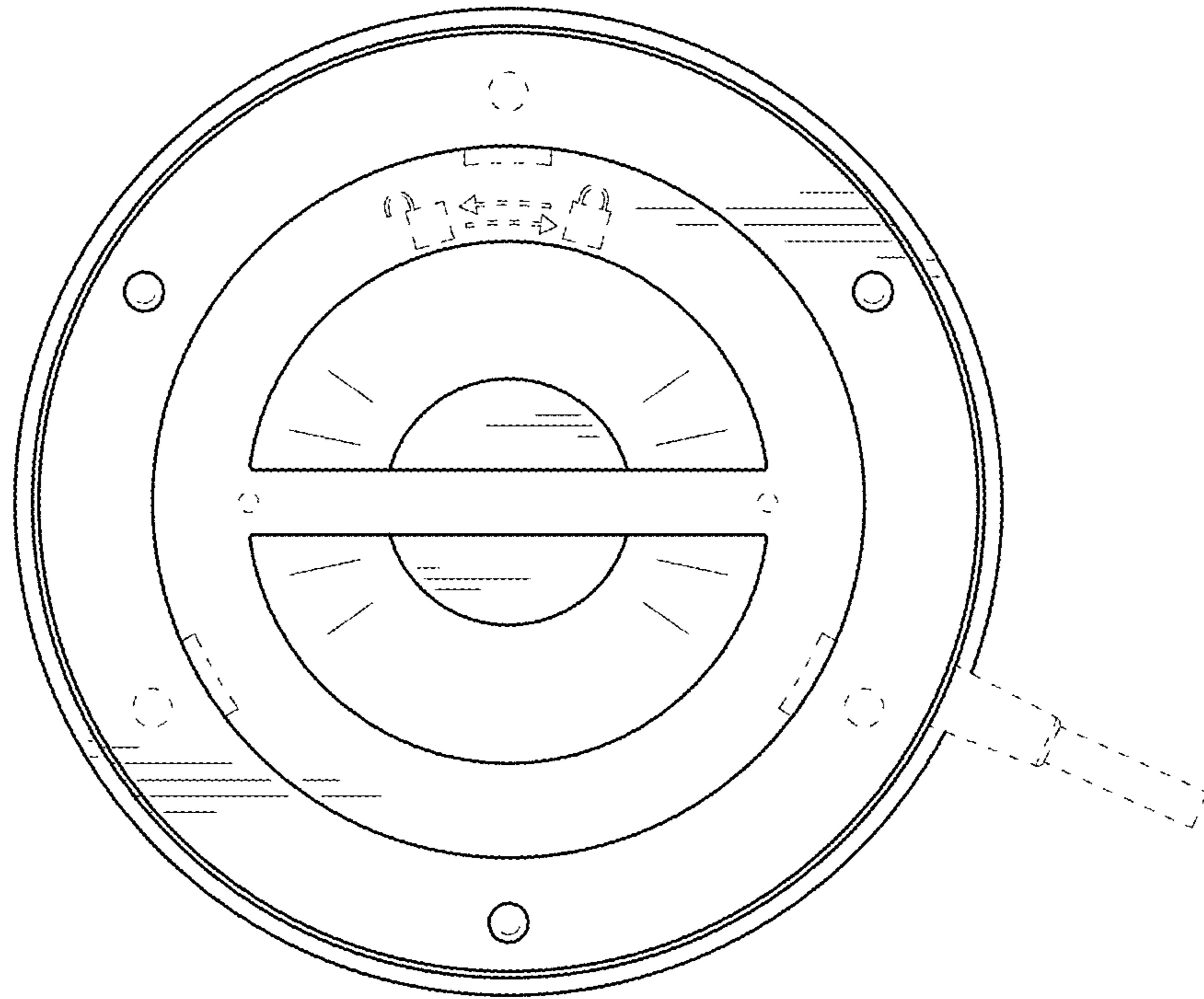


FIG.8