



US00D919038S

(12) **United States Design Patent** (10) **Patent No.:** **US D919,038 S**
Tang (45) **Date of Patent:** **** May 11, 2021**

(54) **MOSQUITO KILLER CAMPING LAMP**

(71) Applicant: **Wei Tang**, Shanghai (CN)

(72) Inventor: **Wei Tang**, Shanghai (CN)

(**) Term: **15 Years**

(21) Appl. No.: **29/749,741**

(22) Filed: **Sep. 9, 2020**

(30) **Foreign Application Priority Data**

Jul. 2, 2020 (CN) 202021282622.5

(51) **LOC (13) Cl.** **22-06**

(52) **U.S. Cl.**
USPC **D22/123**

(58) **Field of Classification Search**
USPC D22/122-123, 120; D26/37-38, 41;
362/157, 162, 171, 178; 43/107,
43/112-114, 121-122, 131, 132.1;
340/552, 556, 561
CPC A01M 1/04; A01M 1/08; A01M 1/023;
A01M 1/223; A01M 1/026; A01M
2200/012; F21L 2003/00
See application file for complete search history.

(56) **References Cited**

U.S. PATENT DOCUMENTS

- 4,282,673 A * 8/1981 Focks A01M 1/08
43/113
- 5,020,270 A * 6/1991 Lo A01M 1/08
43/112
- D450,867 S * 11/2001 Long D26/37
- D462,469 S * 9/2002 Poon D26/37
- 6,817,139 B1 * 11/2004 Powell A01M 1/08
43/113
- D548,864 S 8/2007 Lee
- D569,475 S * 5/2008 Szymanski D22/123
- D654,141 S * 2/2012 Wilbanks D22/123
- 9,927,077 B1 * 3/2018 Fowkes F21L 4/045
- D842,514 S 3/2019 Wu

- D863,634 S * 10/2019 Xu D26/41
- D887,524 S * 6/2020 Lou D22/123
- D894,454 S * 8/2020 Yang D26/41
- D903,173 S * 11/2020 Zhu D26/41
- 2007/0011940 A1 * 1/2007 Chen A01M 1/023
43/113
- 2012/0117858 A1 * 5/2012 Ishii A01M 1/06
43/139
- 2014/0165452 A1 * 6/2014 Rocha A01M 1/06
43/113
- 2015/0121746 A1 * 5/2015 Osinga A01M 1/2016
43/132.1

(Continued)

FOREIGN PATENT DOCUMENTS

WO 2018222992 A1 * 12/2018 A01M 1/04

OTHER PUBLICATIONS

ERAVSOW Bug Zapper & LED Camping Lantern & Flashlight 3-in-1, Waterproof Rechargeable Mosquito Zapper, Portable Compact Camping Gear for Outdoors . . . https://www.amazon.com/ERAVSOW-Flashlight-Waterproof-Rechargeable-Mosquito/dp/B07P5LWTQQ/ref=cm_cr_arp_d_pdt_img_top?ie=UTF8 (Year: 2019).*

Primary Examiner — Catherine R Oliver-Garcia

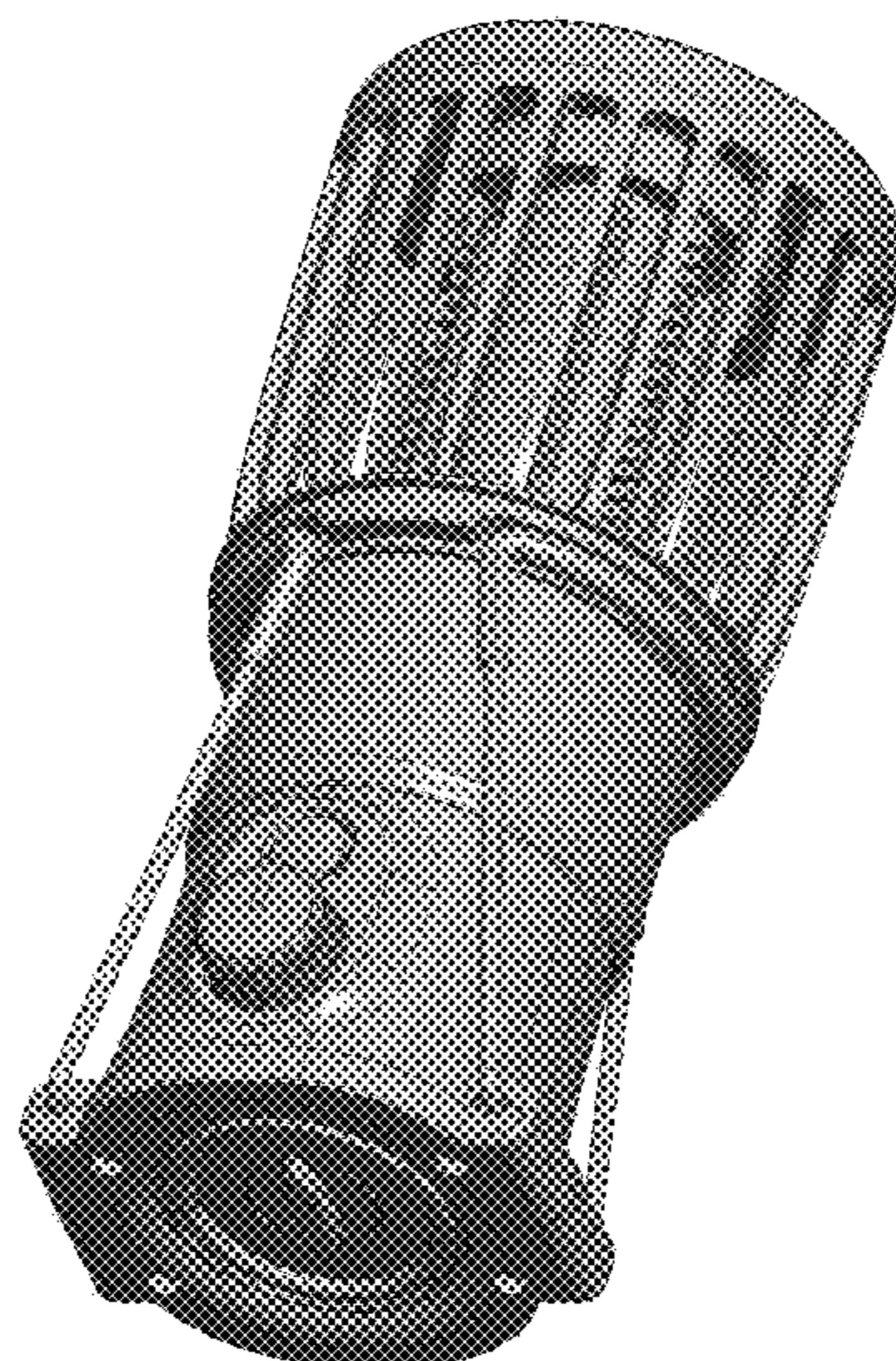
(57) **CLAIM**

The ornamental design for a mosquito killer camping lamp, as shown and described.

DESCRIPTION

FIG. 1 is a perspective view of a mosquito killer camping lamp showing my new design;
FIG. 2 is a front view thereof;
FIG. 3 is a rear view thereof;
FIG. 4 is a left side view thereof;
FIG. 5 is a right side view thereof;
FIG. 6 is a top plan view thereof; and,
FIG. 7 is a bottom plan view thereof.

1 Claim, 7 Drawing Sheets



(56)

References Cited

U.S. PATENT DOCUMENTS

2018/0206472 A1* 7/2018 Maxik A01M 1/106
2018/0343846 A1* 12/2018 Horne A01M 1/04
2020/0000079 A1* 1/2020 Liu A01M 1/04

* cited by examiner

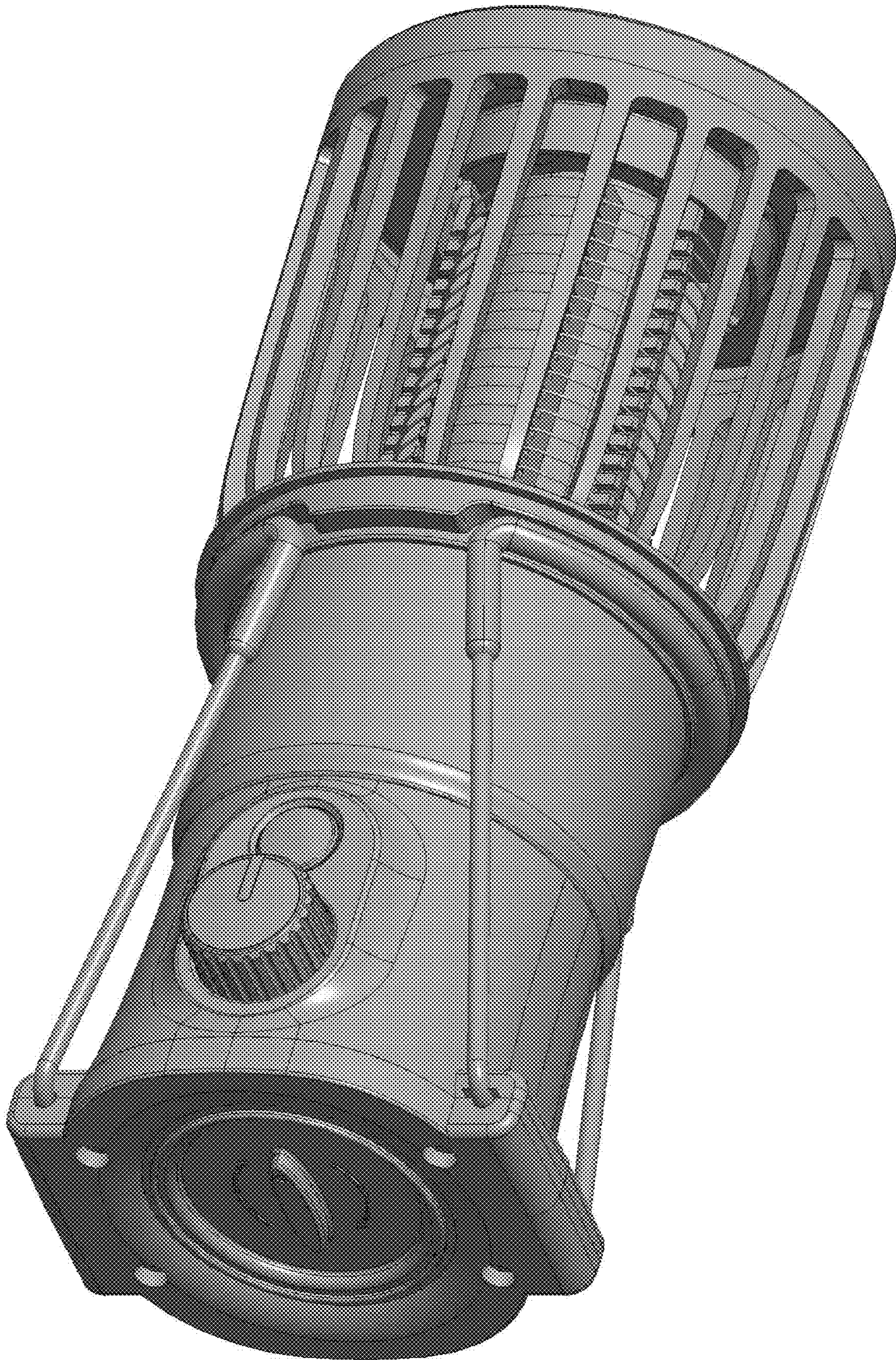


FIG. 1

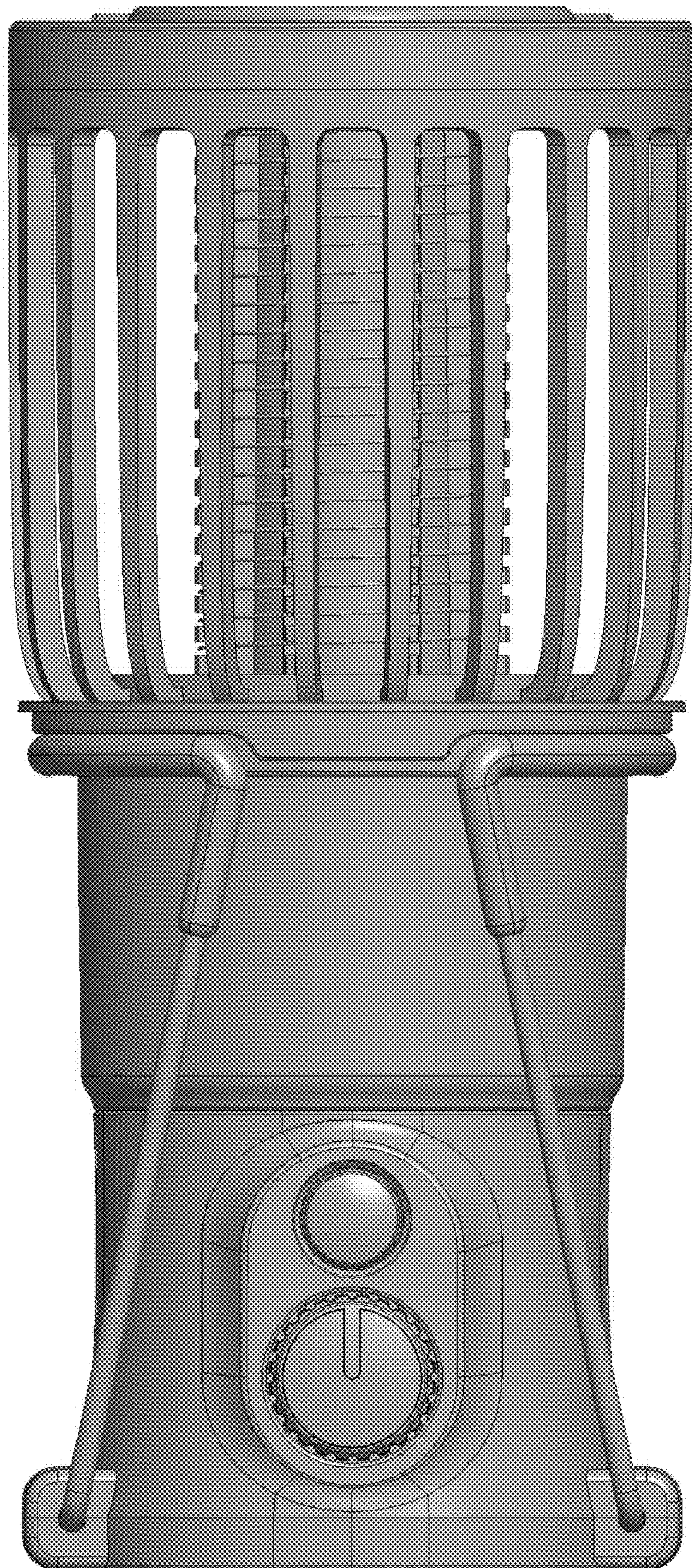


FIG. 2

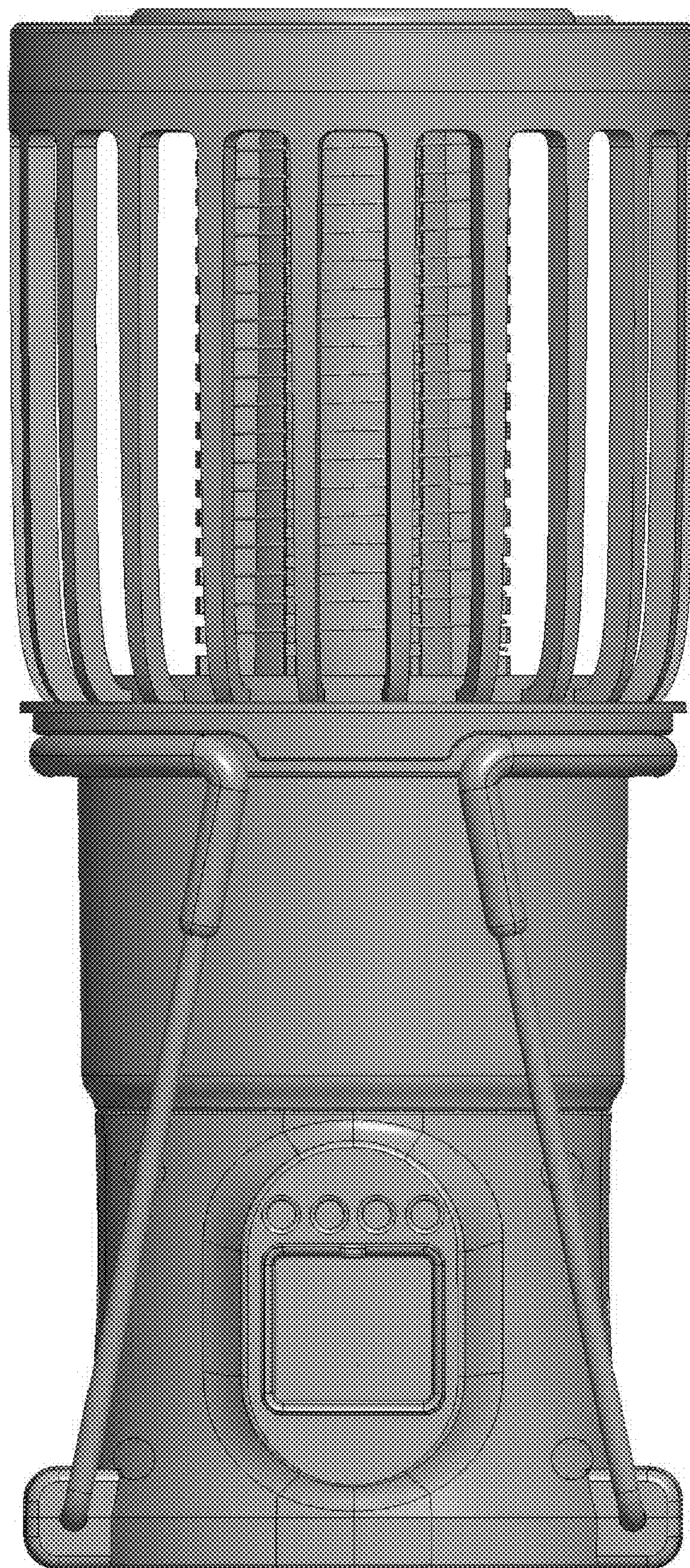


FIG. 3

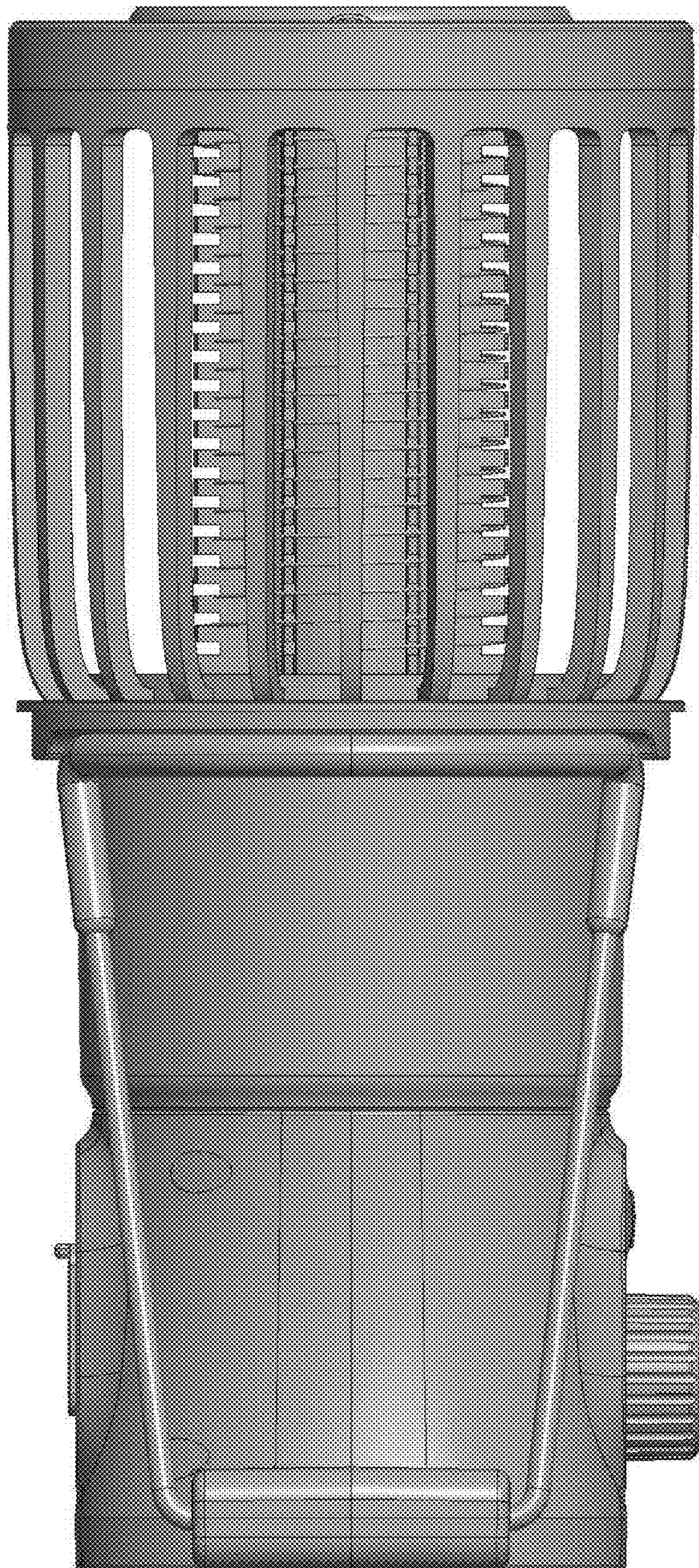


FIG. 4

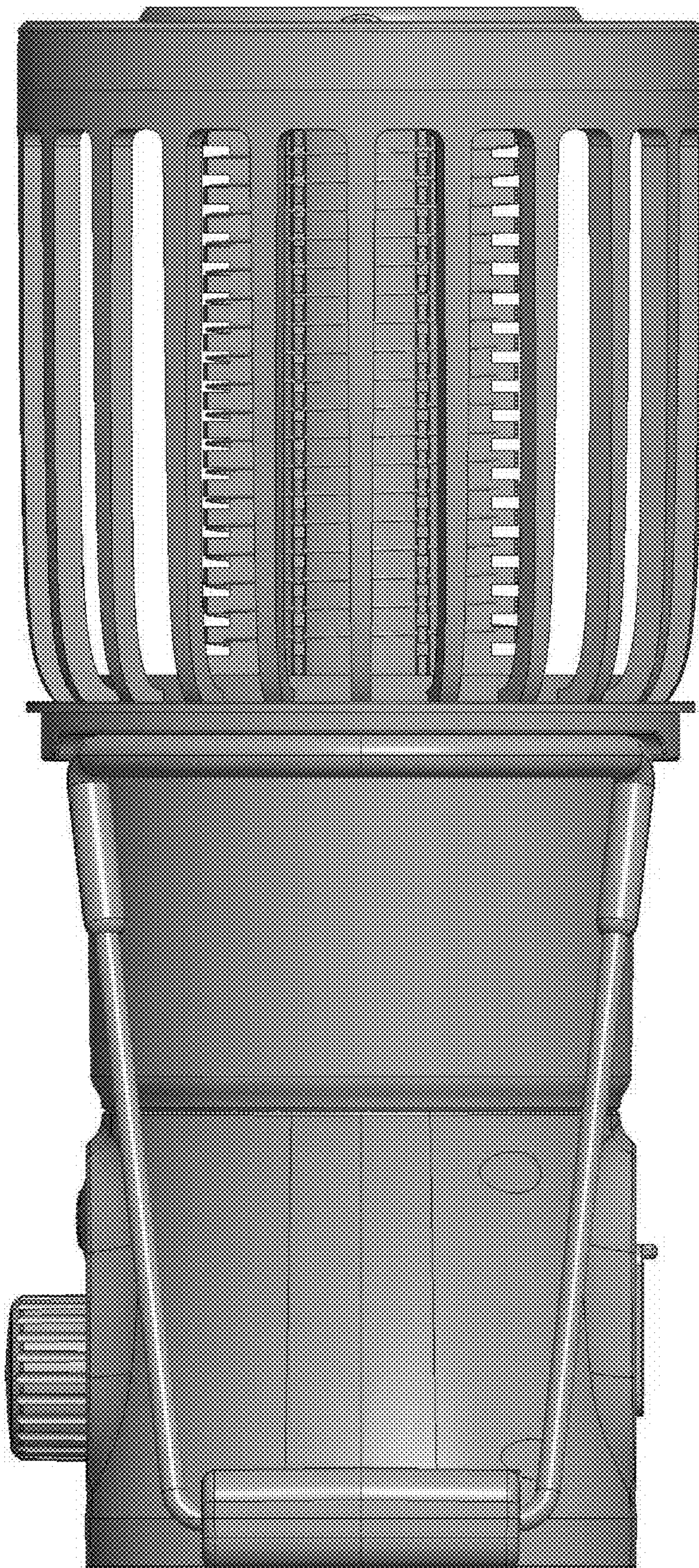


FIG.5

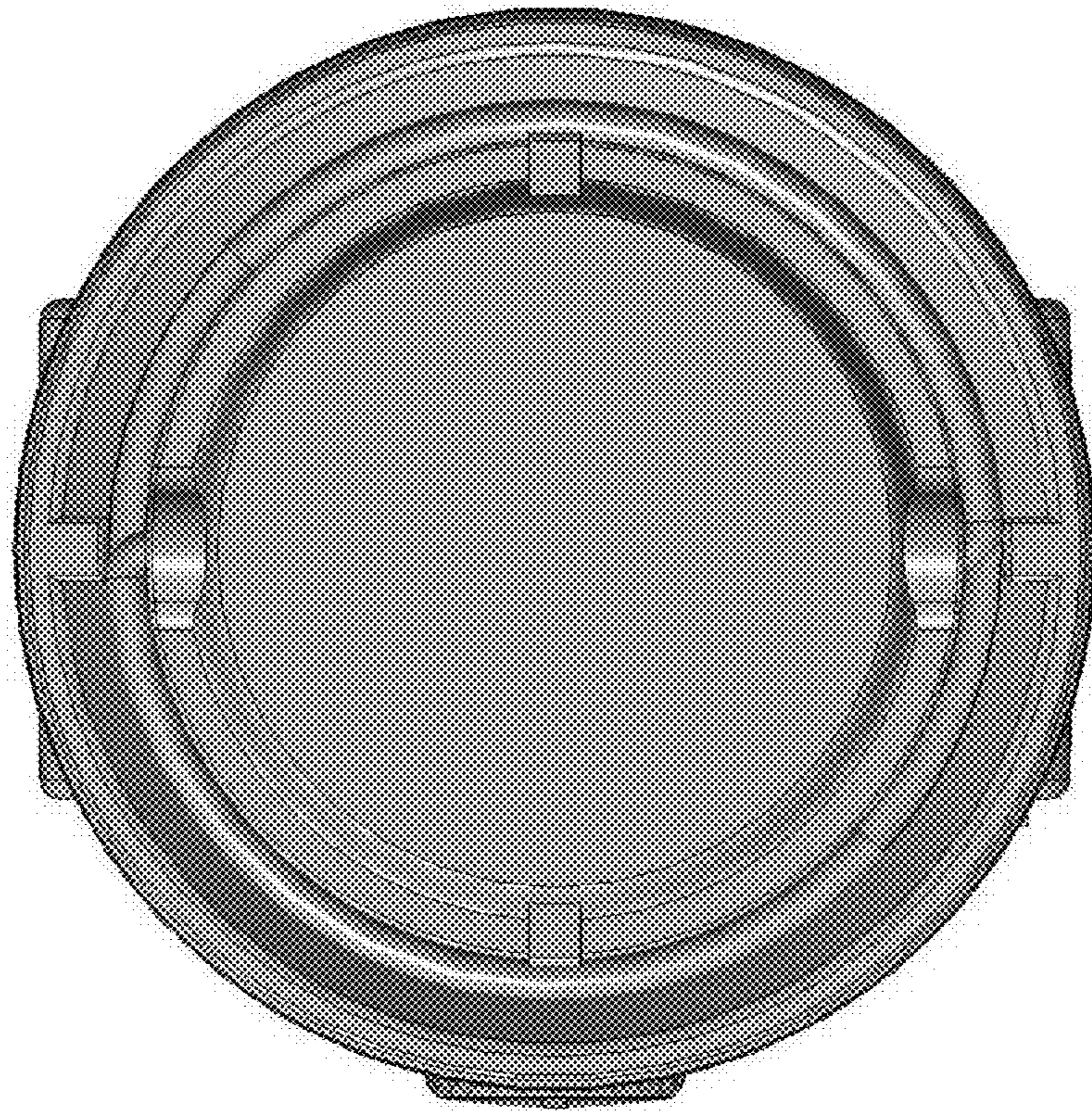


FIG. 6

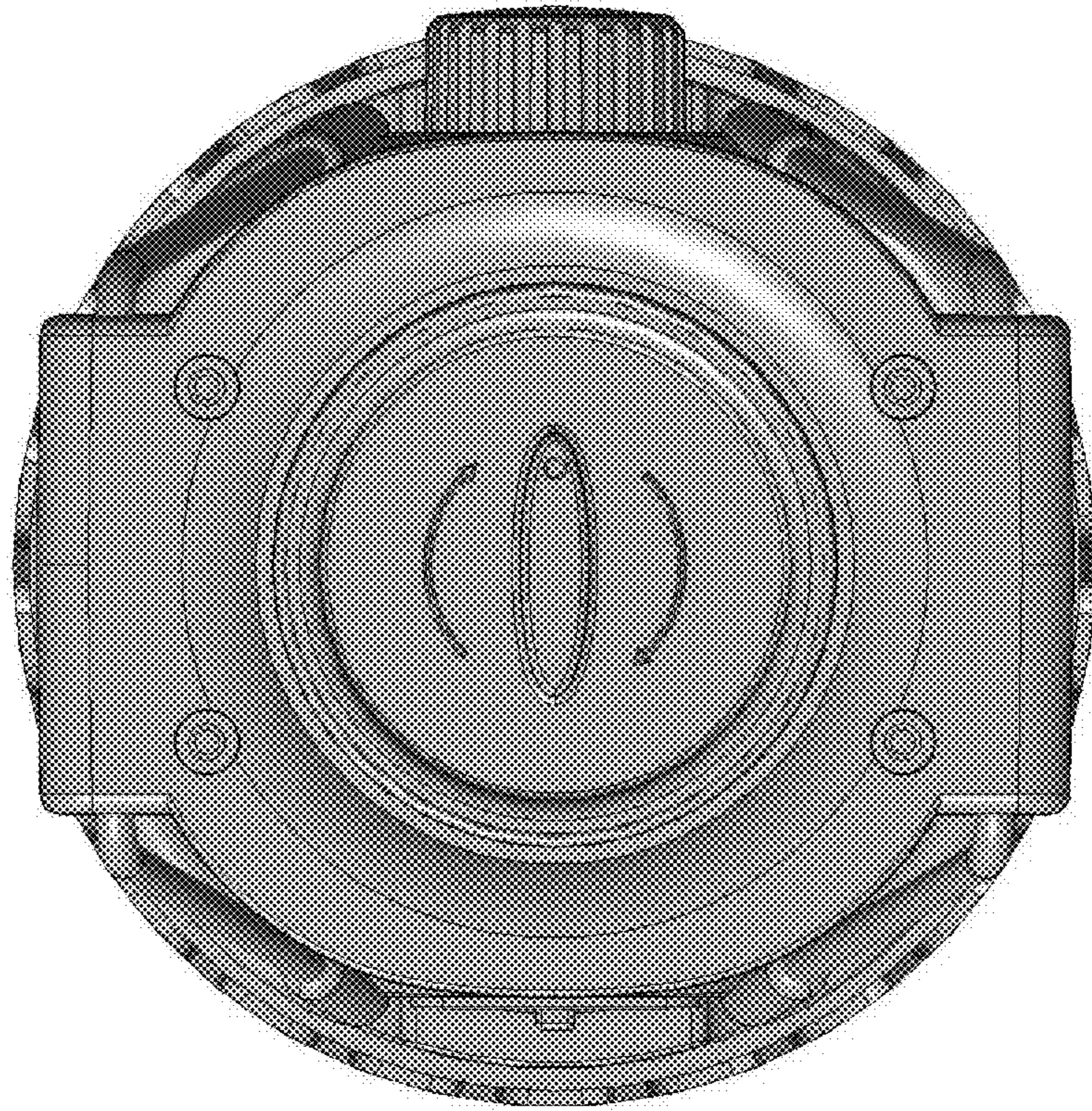


FIG. 7