



US00D919036S

(12) **United States Design Patent**
Tong

(10) **Patent No.:** **US D919,036 S**

(45) **Date of Patent:** **** May 11, 2021**

(54) **SIGHT**

(71) Applicant: **Zhongge Technology Limited,**
Shenzhen (CN)

(72) Inventor: **Changfang Tong,** Shangrao (CN)

(**) Term: **15 Years**

(21) Appl. No.: **29/751,481**

(22) Filed: **Sep. 22, 2020**

(51) **LOC (13) Cl.** **22-01**

(52) **U.S. Cl.**
USPC **D22/109**

(58) **Field of Classification Search**
USPC D22/109; D21/573
CPC . F41G 11/003; F41G 1/00; F41G 1/16; F41G
1/345

See application file for complete search history.

(56) **References Cited**

U.S. PATENT DOCUMENTS

D521,591 S	5/2006	Warren	
D534,986 S	1/2007	Warren	
D631,934 S *	2/2011	Daniel D22/109
D651,681 S	1/2012	Vestling et al.	
D873,947 S *	1/2020	Shelton D22/109

D883,423 S * 5/2020 Shelton D22/109

* cited by examiner

Primary Examiner — Michael A. Pratt

(57) **CLAIM**

The ornamental design for a sight, as shown and described.

DESCRIPTION

FIG. 1 is a first perspective view of a sight showing my new design;

FIG. 2 is a second perspective view thereof;

FIG. 3 is a front view thereof;

FIG. 4 is a back view thereof;

FIG. 5 is a left side view thereof;

FIG. 6 is a right side view thereof;

FIG. 7 is a top view thereof;

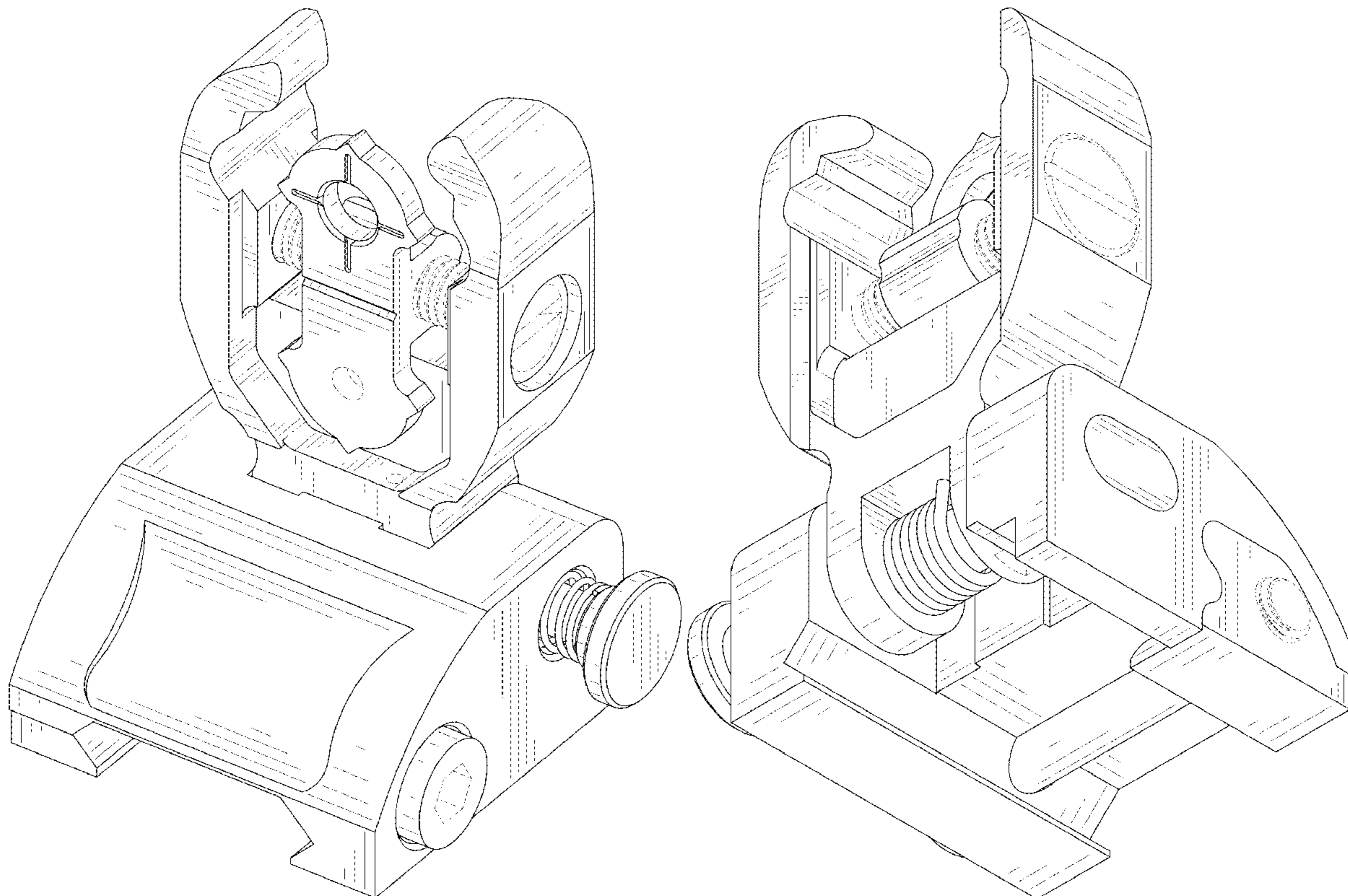
FIG. 8 is a bottom view thereof;

FIG. 9 is a perspective view of another state of the sight thereof; and,

FIG. 10 is a perspective view of another state of the sight thereof.

The broken lines shown in the drawings depict portions of the sight in which the design is embodied that form no part of the claimed design.

1 Claim, 10 Drawing Sheets



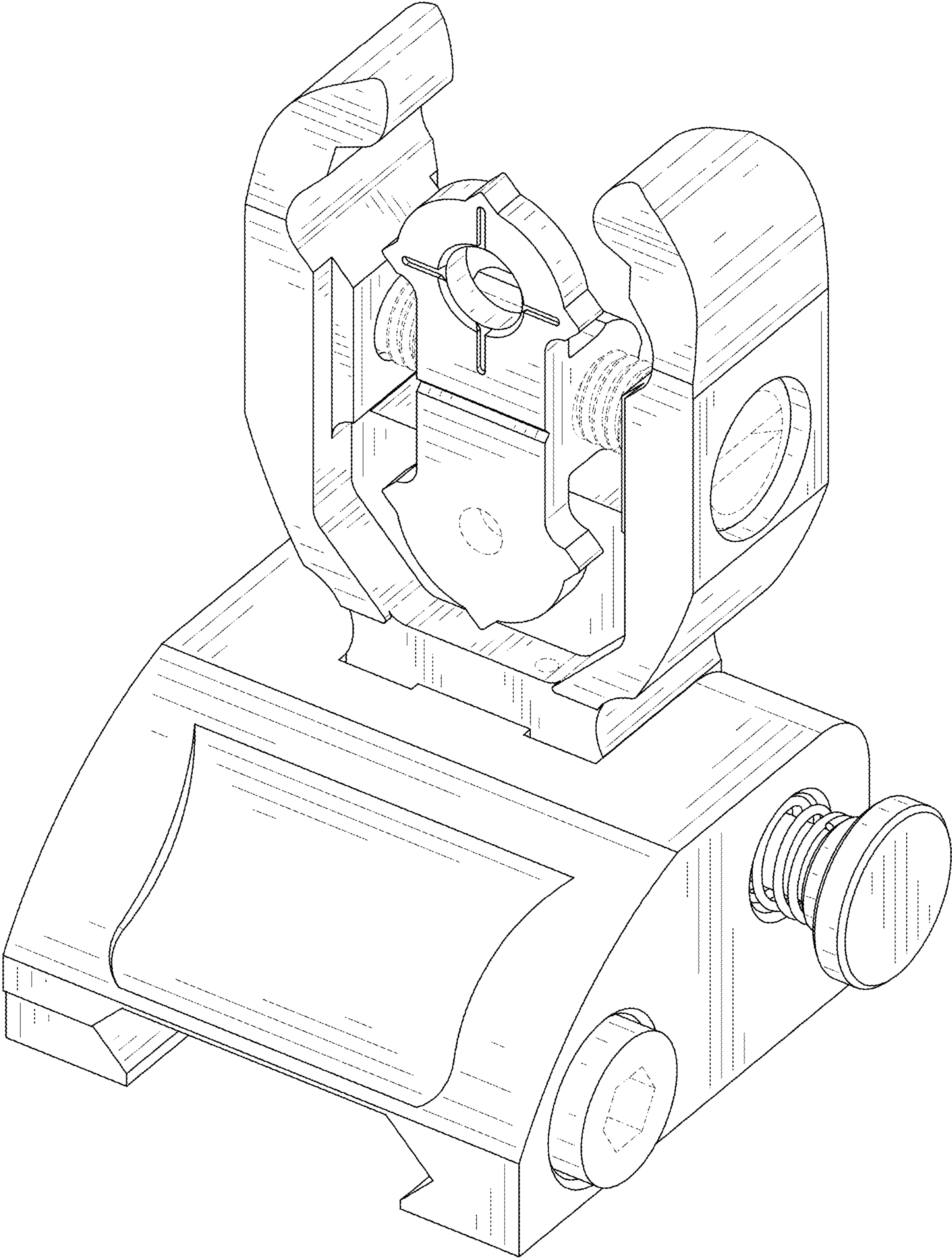


FIG. 1

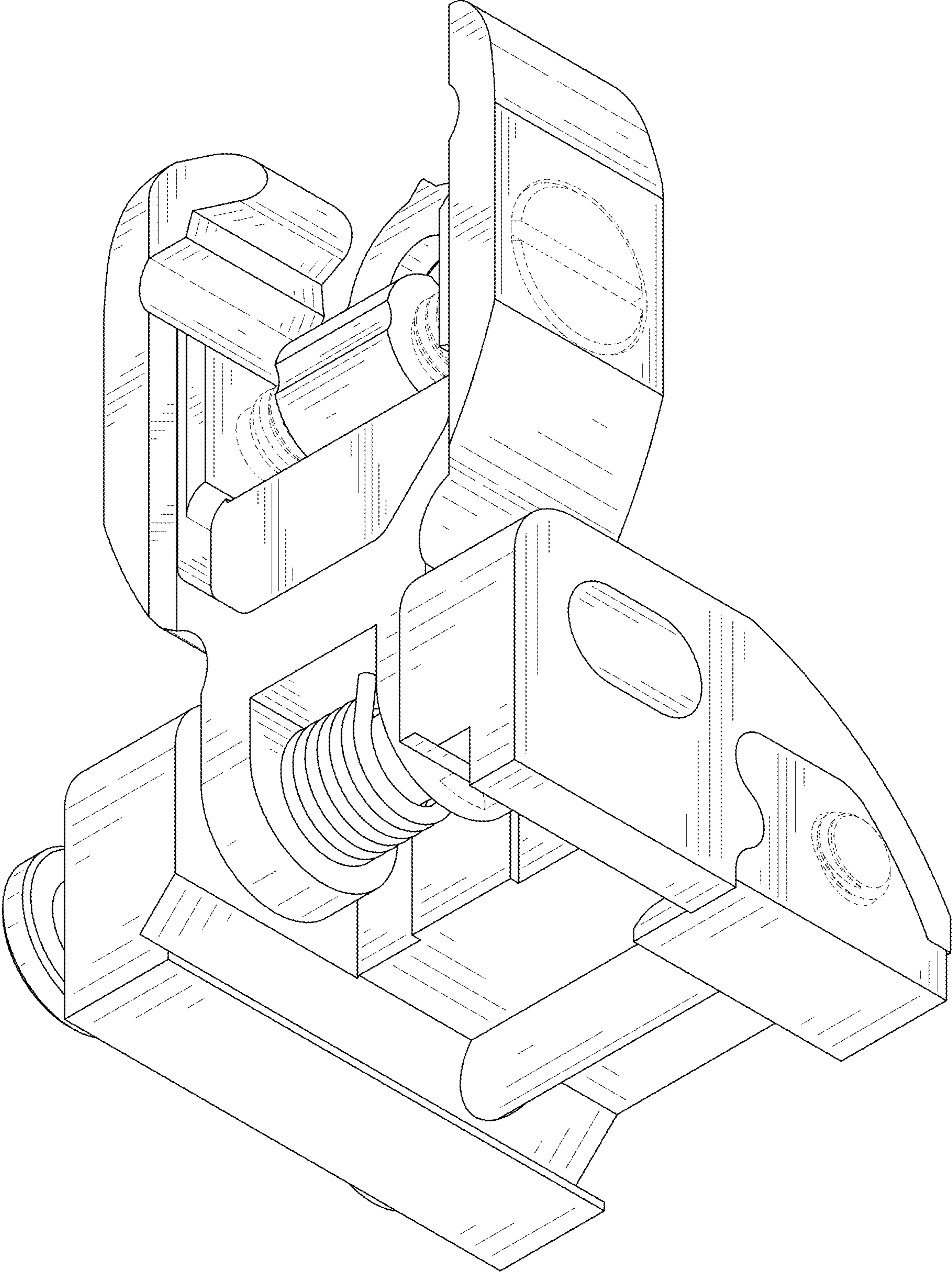


FIG. 2

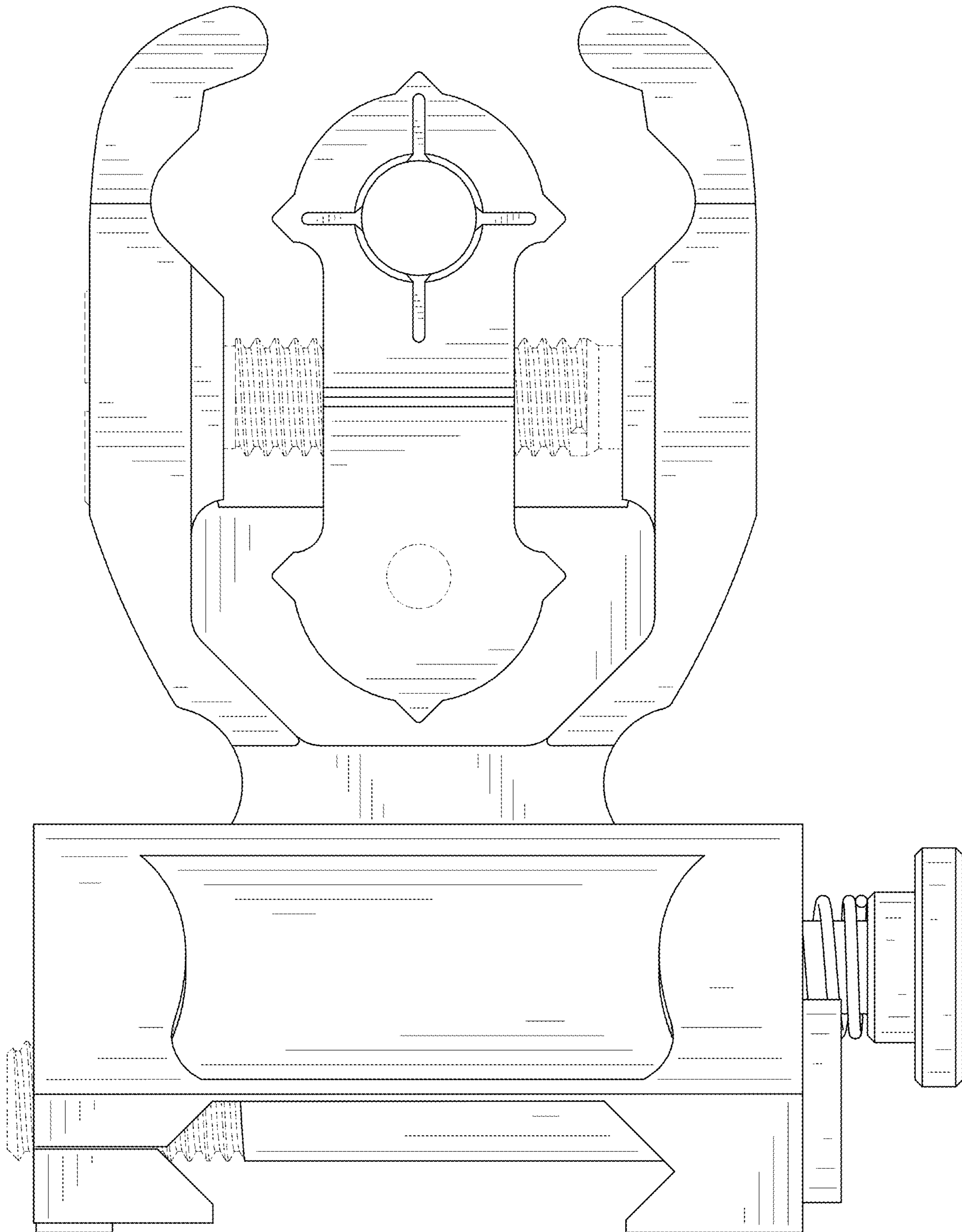


FIG. 3

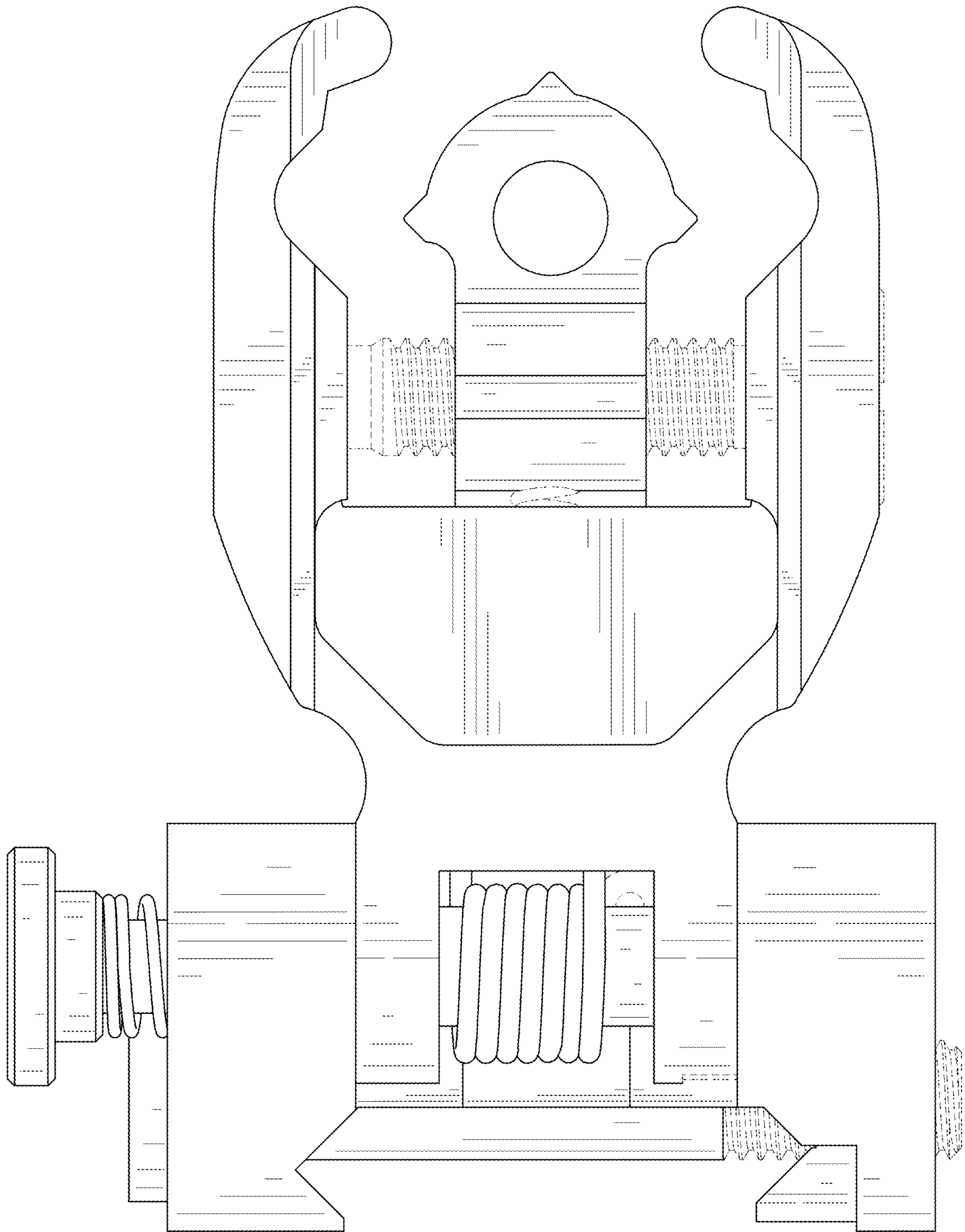


FIG. 4

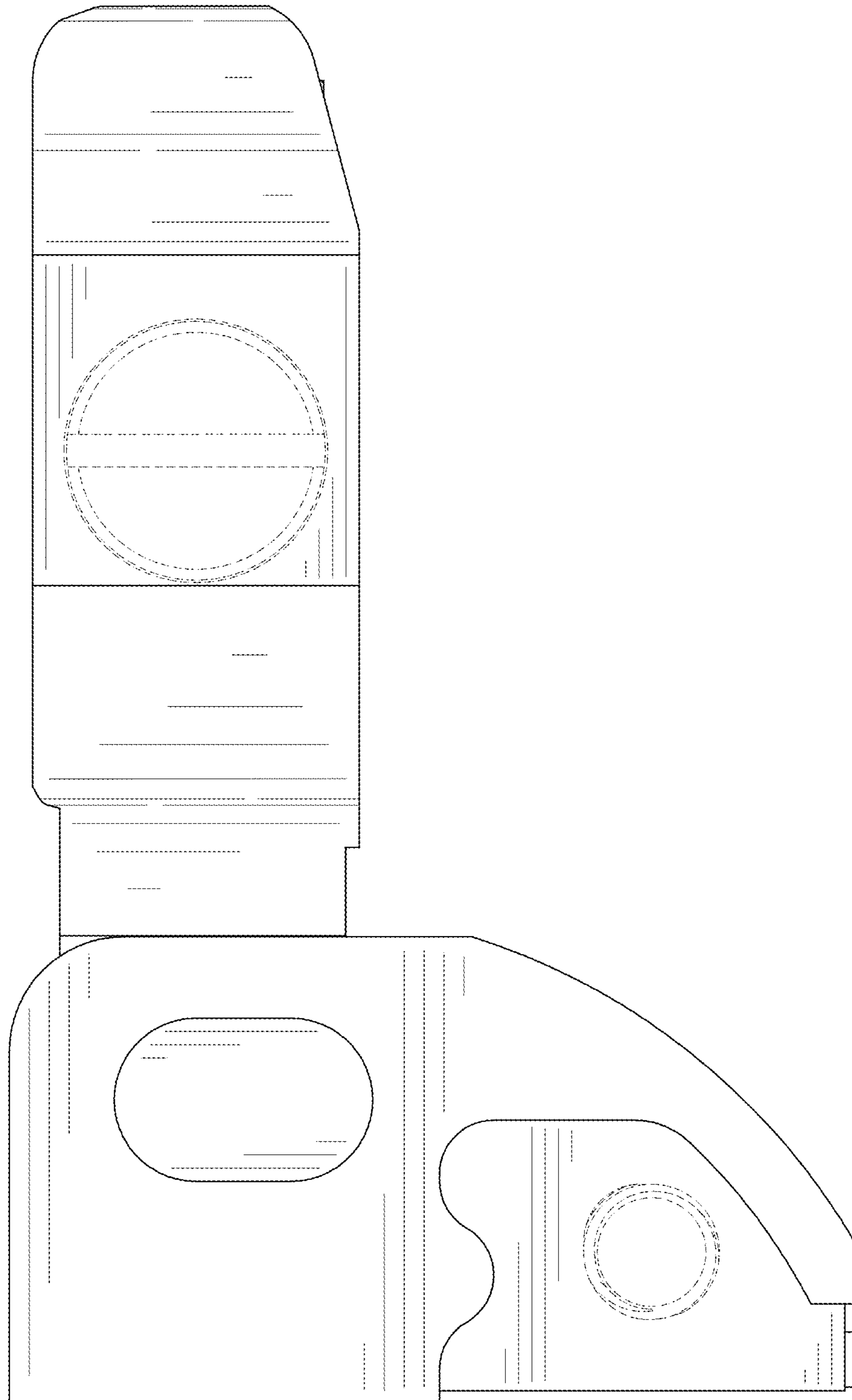


FIG. 5

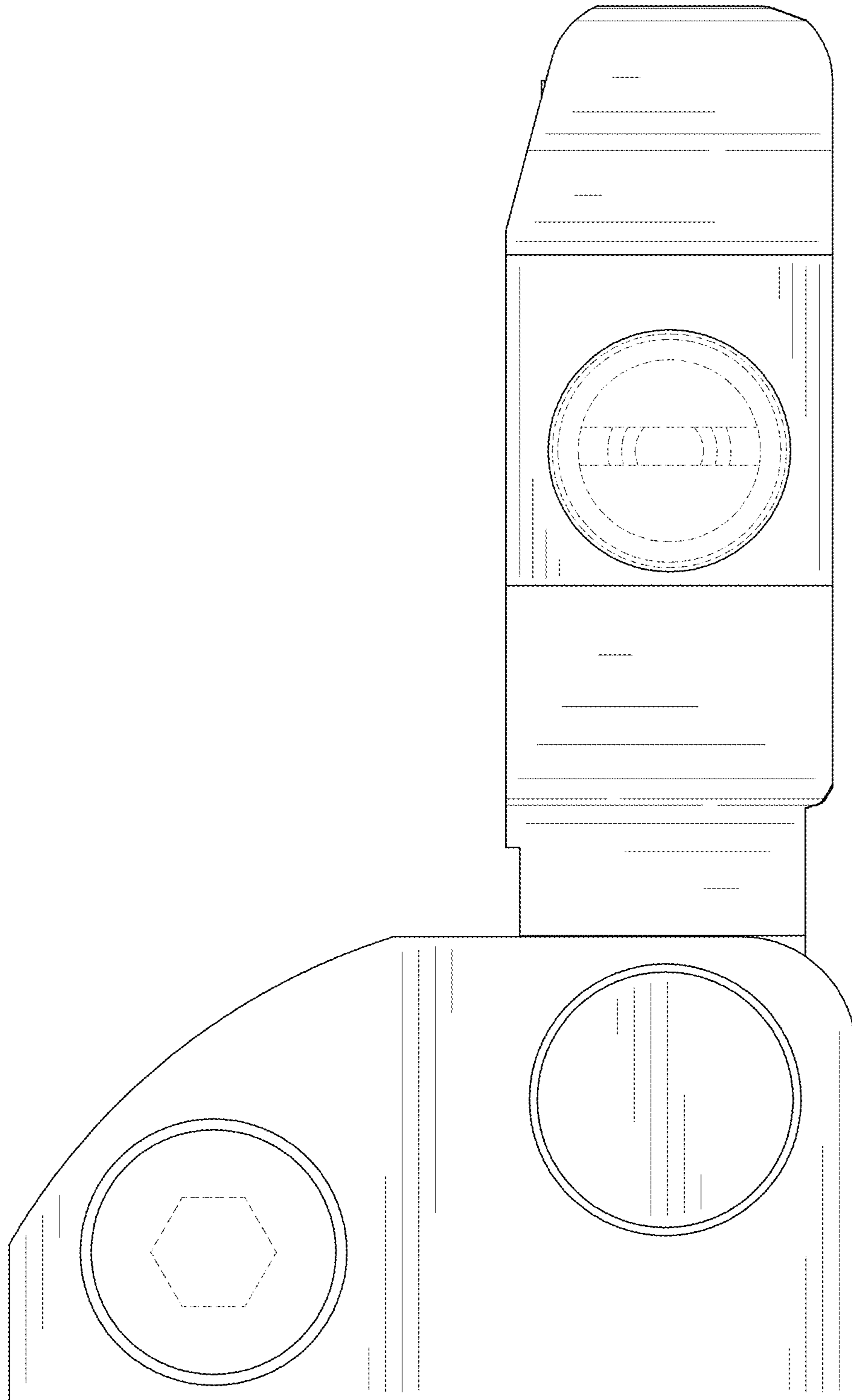


FIG. 6

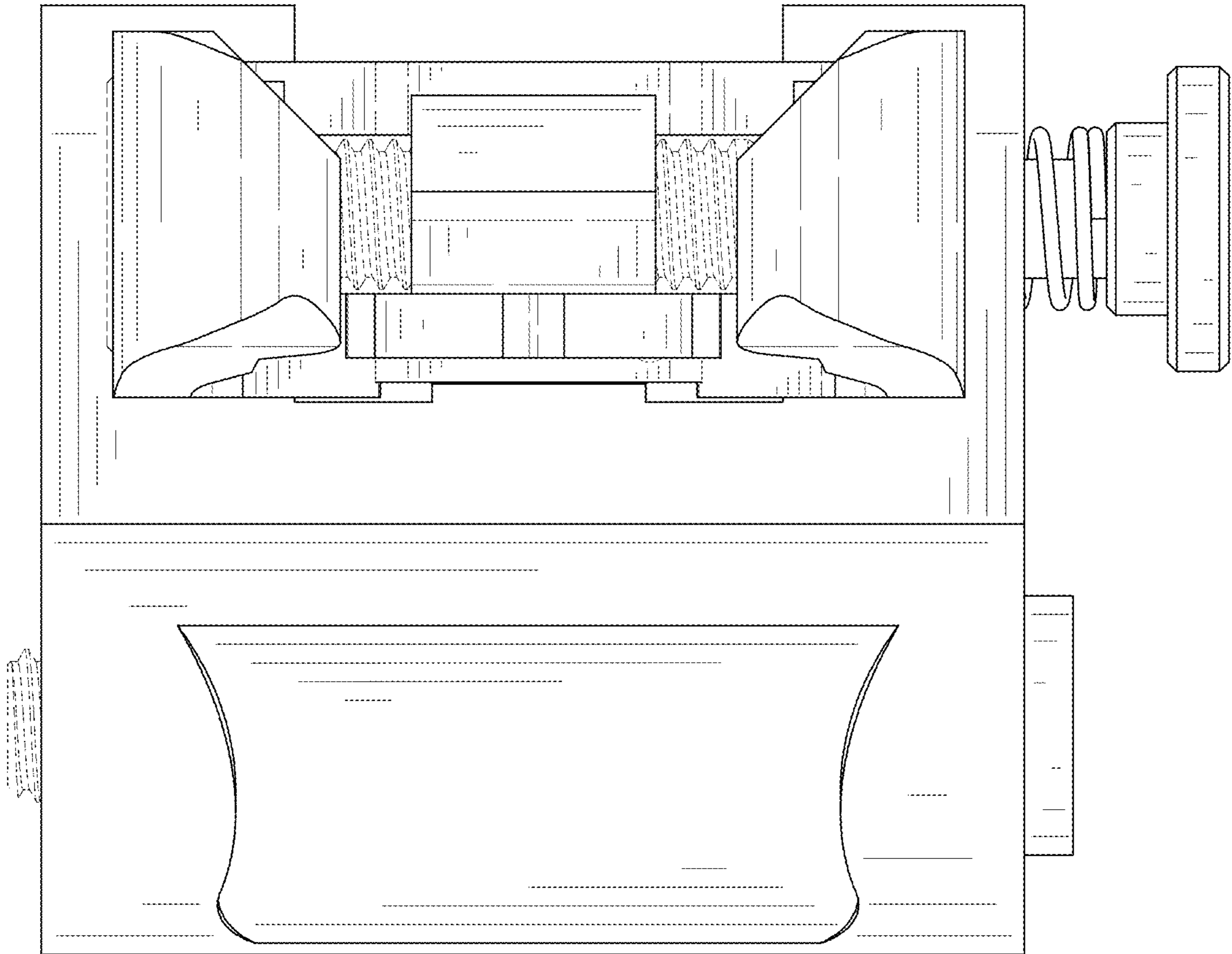


FIG. 7

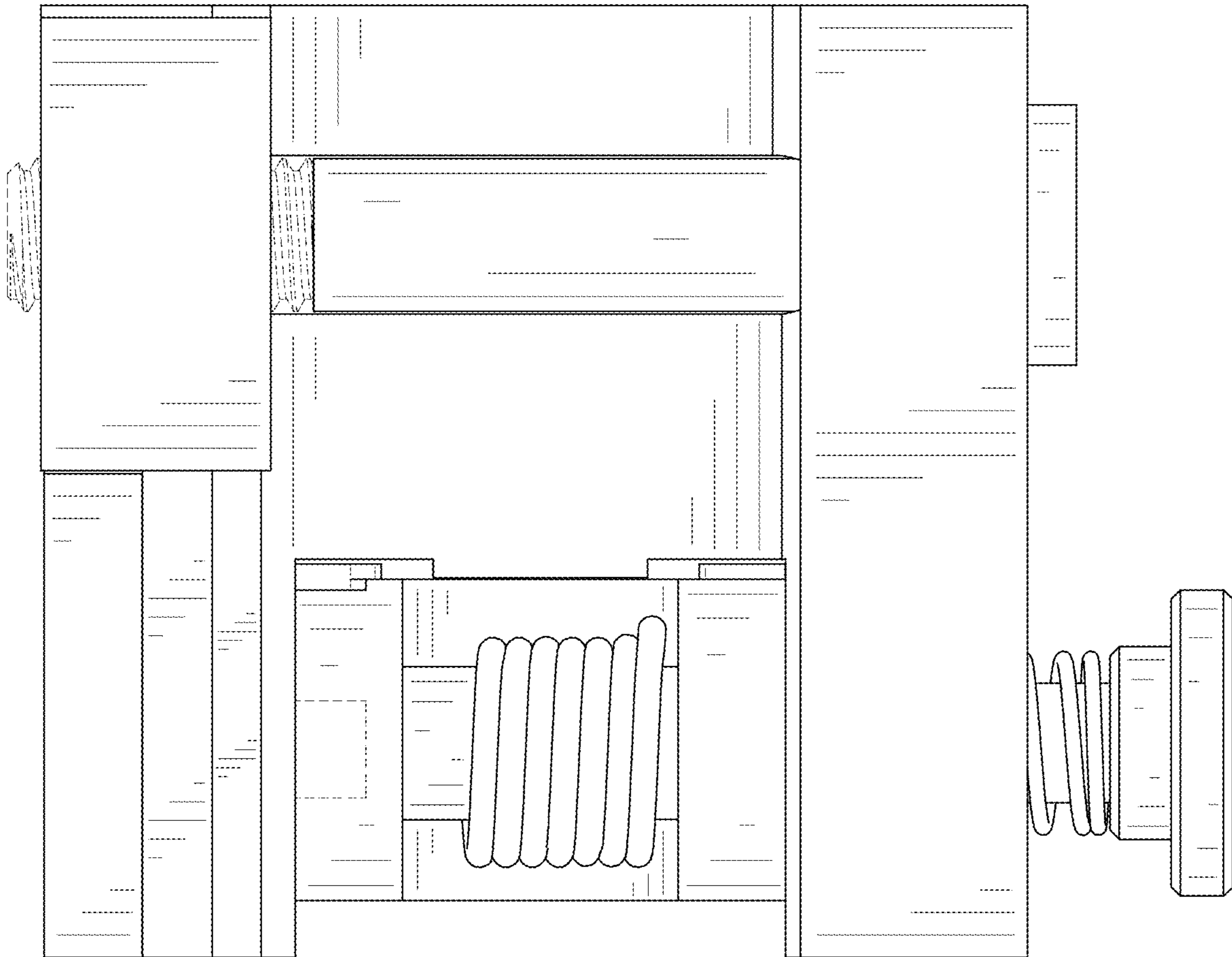


FIG. 8

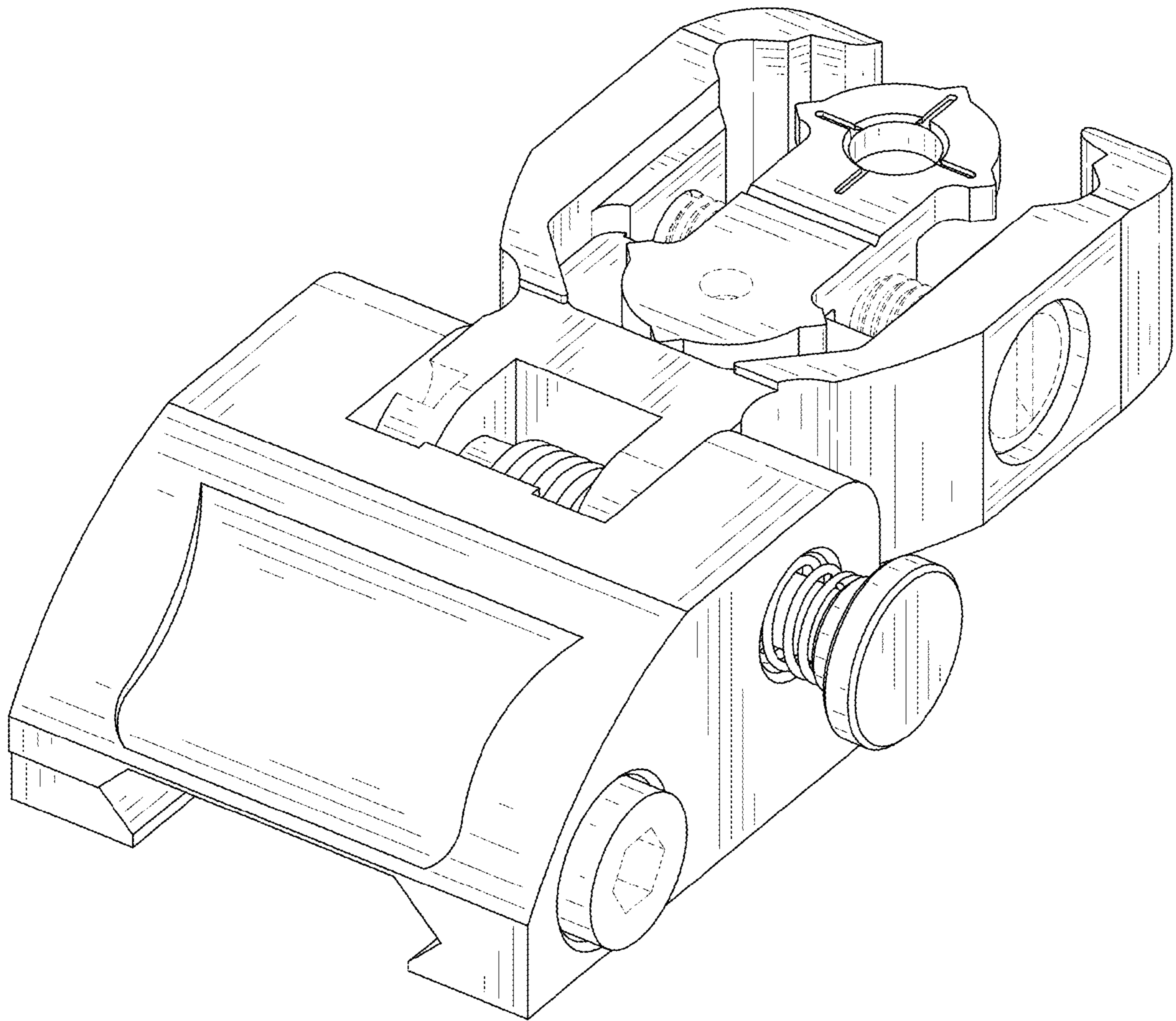


FIG. 9

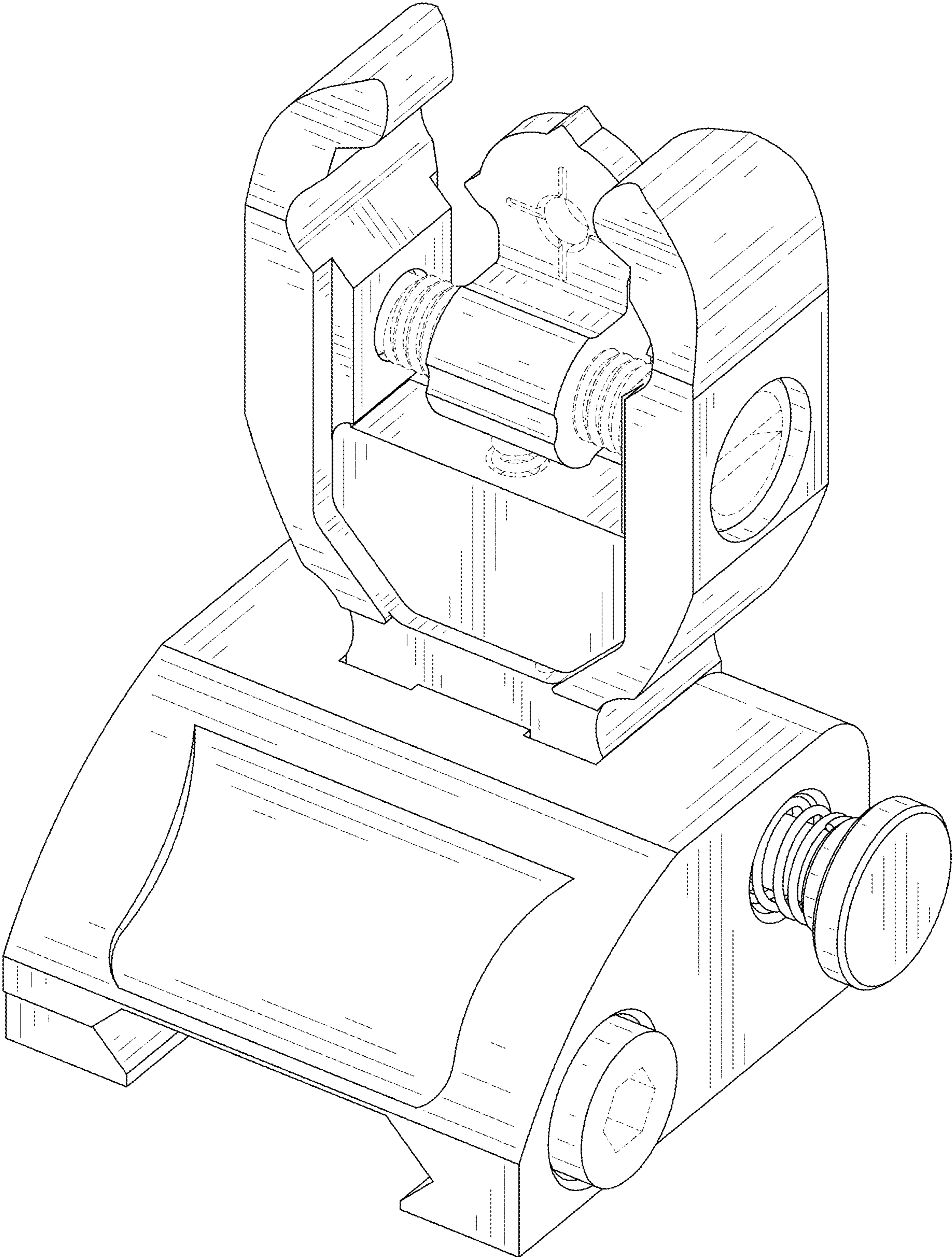


FIG. 10