



US00D919035S

(12) **United States Design Patent**
Chen

(10) **Patent No.:** **US D919,035 S**

(45) **Date of Patent:** **** May 11, 2021**

(54) **MAGAZINE LOADER**

(71) Applicant: **Sheng Chen**, Ningbo (CN)

(72) Inventor: **Sheng Chen**, Ningbo (CN)

(**) Term: **15 Years**

(21) Appl. No.: **29/757,164**

(22) Filed: **Nov. 4, 2020**

(51) **LOC (13) Cl.** **22-01**

(52) **U.S. Cl.**
USPC **D22/108**

(58) **Field of Classification Search**
USPC D22/108
CPC F41A 9/83; F41A 9/82
See application file for complete search history.

(56) **References Cited**

U.S. PATENT DOCUMENTS

- 7,503,138 B2 * 3/2009 Tal F41A 9/83
42/50
- D700,266 S * 2/2014 Tal D22/108
- D728,066 S * 4/2015 Tal D22/199
- D770,588 S * 11/2016 Cauley, Jr. D22/108
- D790,030 S * 6/2017 Ulbrich D22/108
- D799,632 S * 10/2017 Ulbrich D22/108

- D815,235 S * 4/2018 Grego D22/108
- D818,554 S * 5/2018 Hefer D22/108
- D836,178 S 12/2018 Hefer et al.
- D861,822 S * 10/2019 Hellyar D22/108
- D872,217 S * 1/2020 Tal D22/108

* cited by examiner

Primary Examiner — Michael A. Pratt

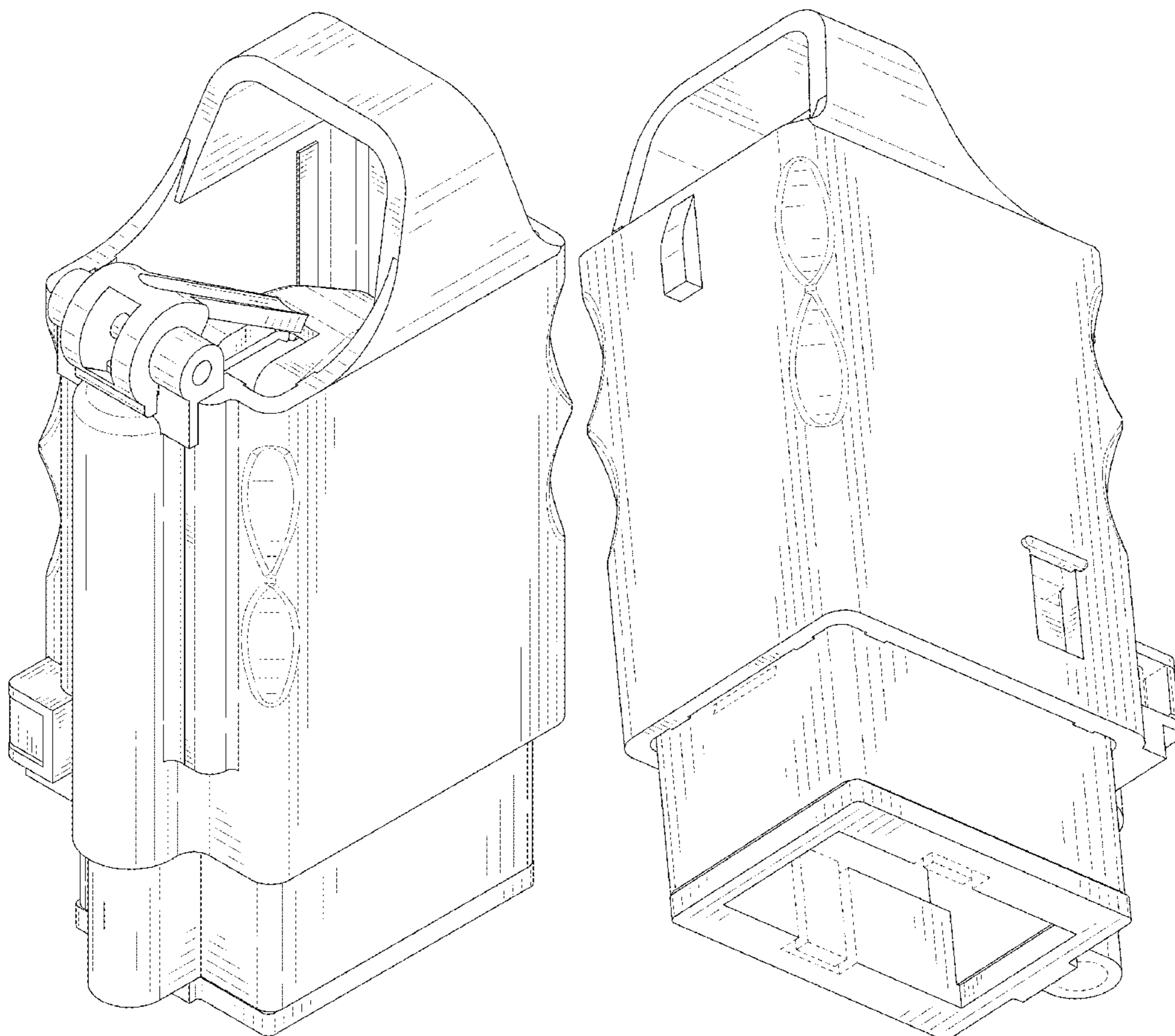
(57) **CLAIM**

The ornamental design for a magazine loader, as shown and described.

DESCRIPTION

FIG. 1 is a perspective view of a magazine loader showing my new design;
 FIG. 2 is another perspective view thereof;
 FIG. 3 is a front elevational view thereof;
 FIG. 4 is a rear elevational view thereof;
 FIG. 5 is a left side elevational view thereof;
 FIG. 6 is a right side elevational view thereof;
 FIG. 7 is a top plan view thereof;
 FIG. 8 is a bottom plan view thereof; and,
 FIG. 9 is a perspective view of the magazine loader where the magazine loader is in a configuration of use.
 The broken lines in the drawings depict portions of the magazine loader that form no part of the claimed design.

1 Claim, 9 Drawing Sheets



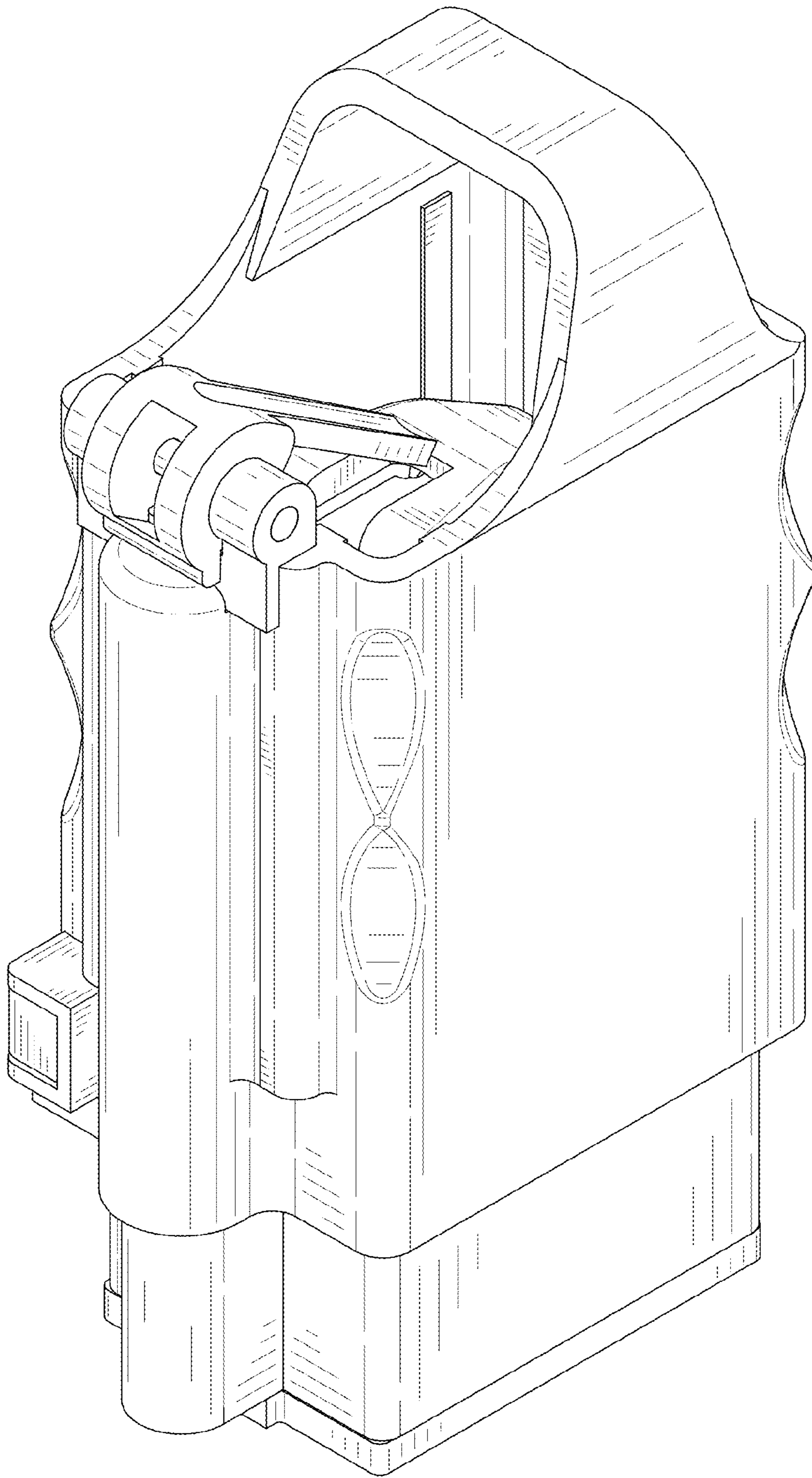


FIG. 1

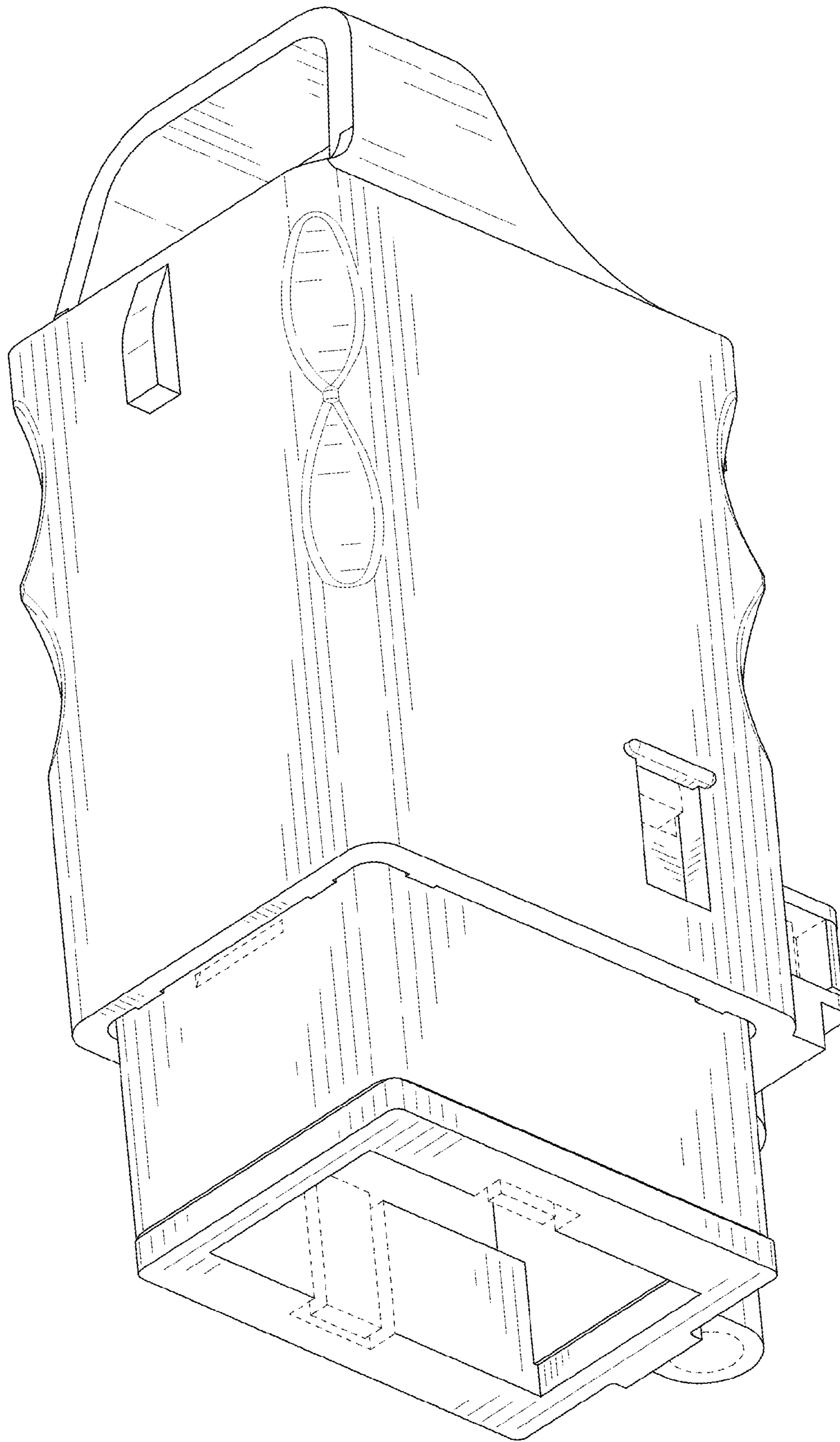


FIG. 2

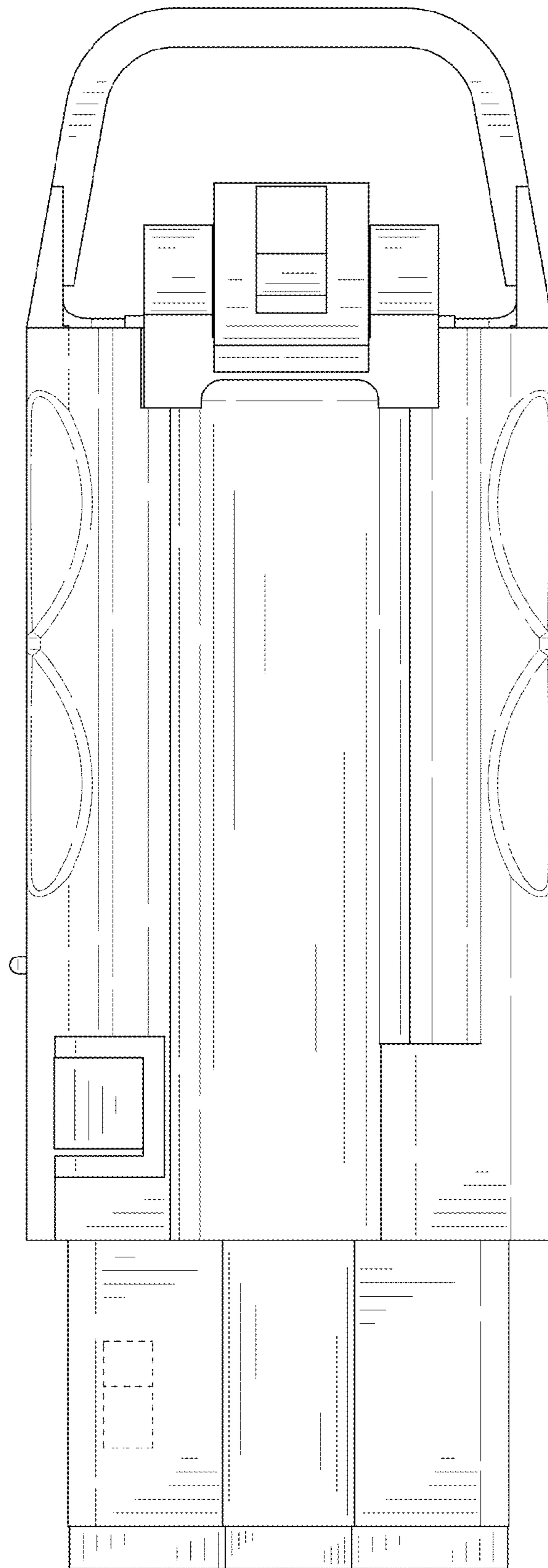


FIG. 3

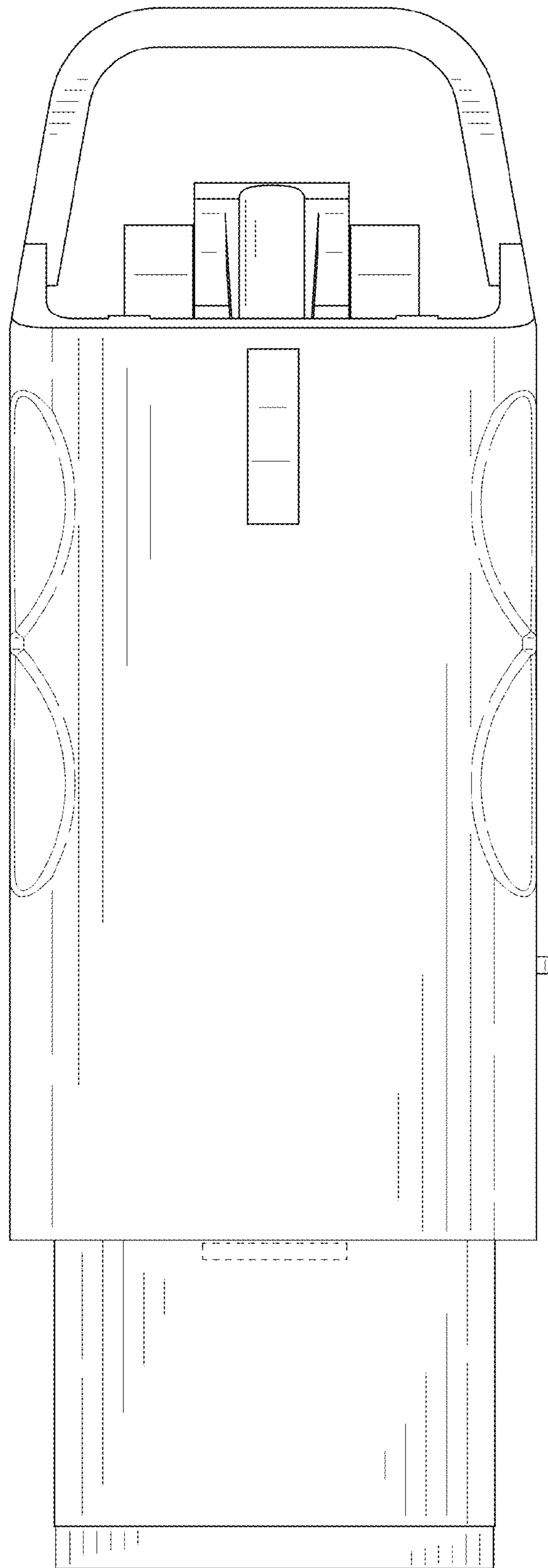


FIG. 4

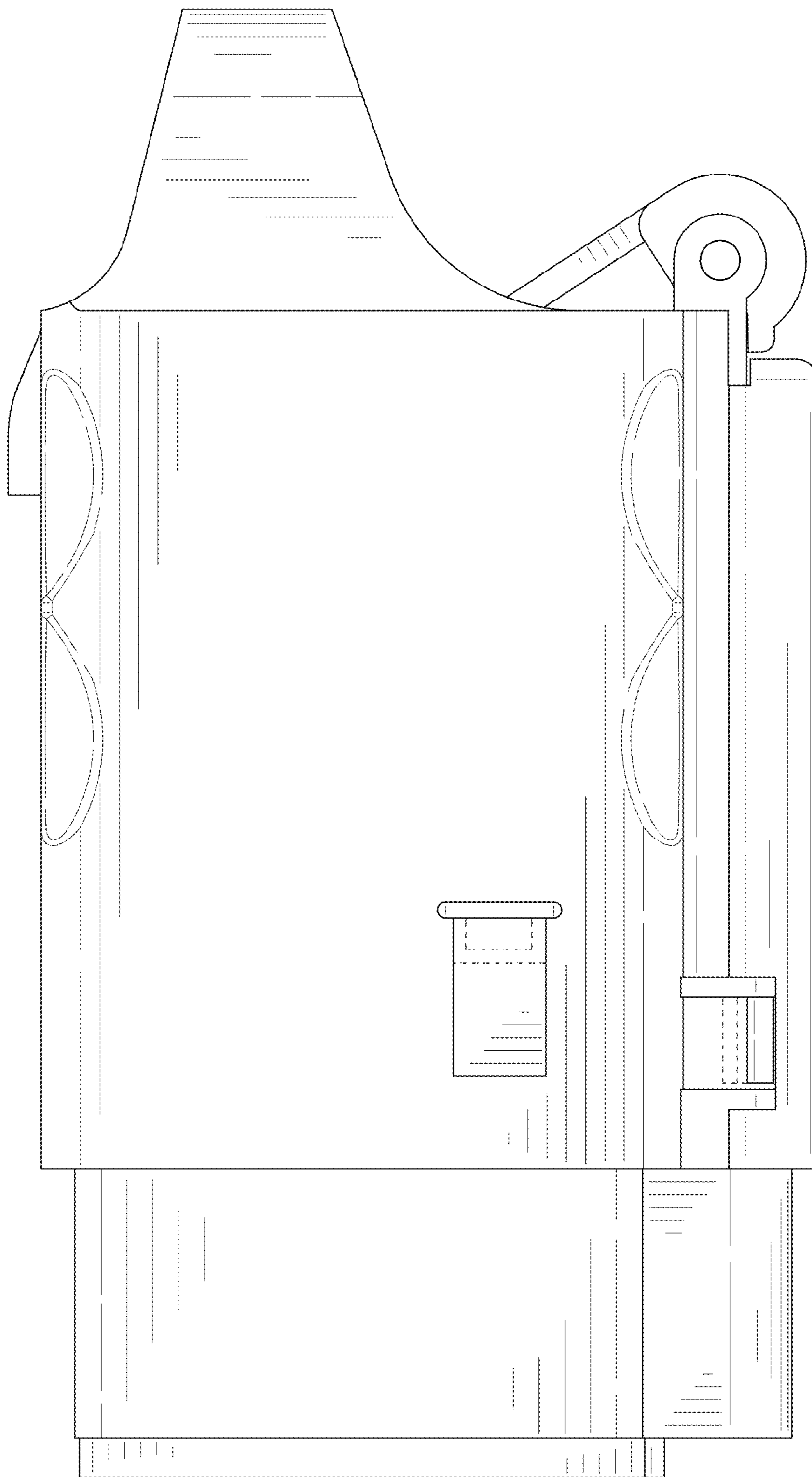


FIG. 5

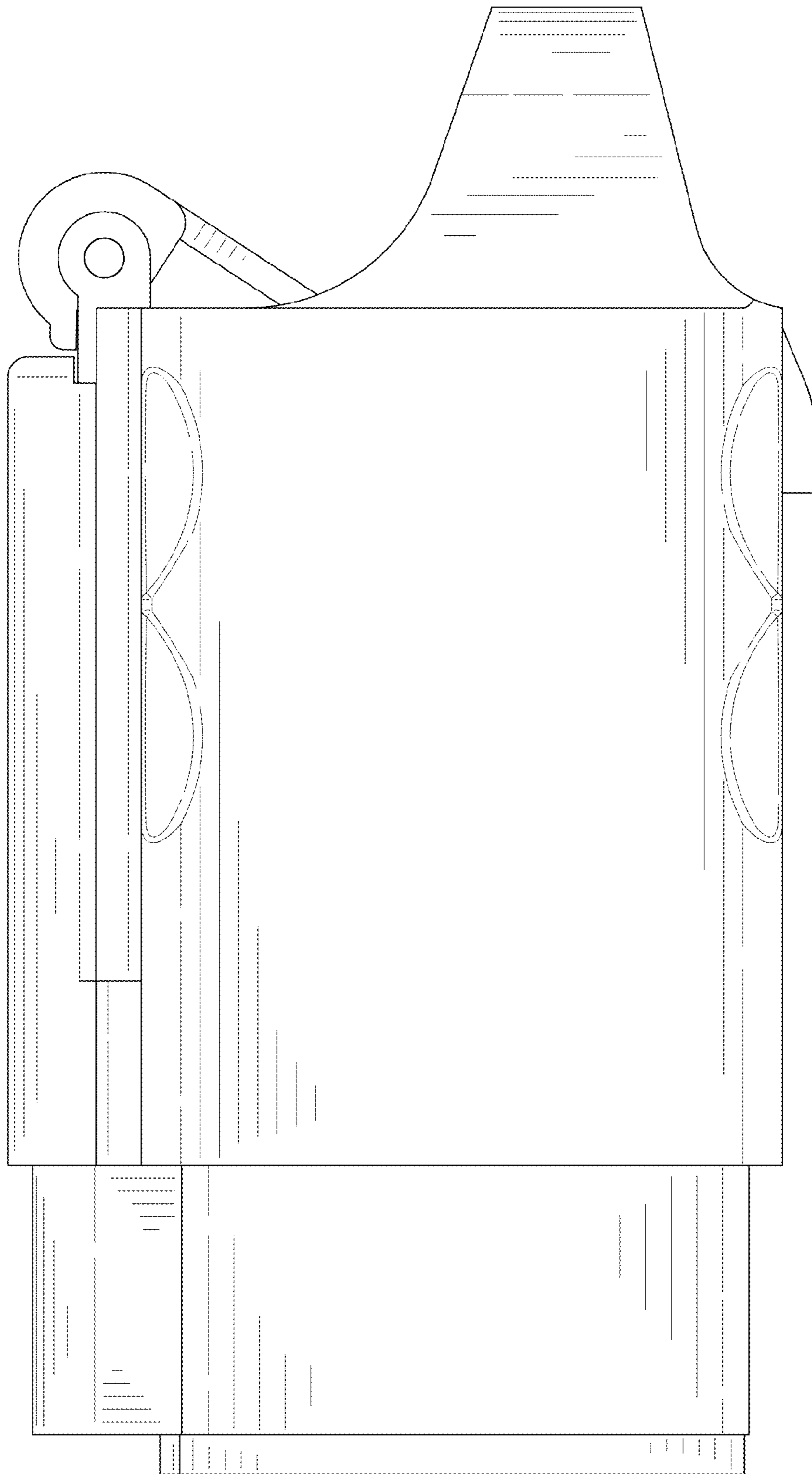


FIG. 6

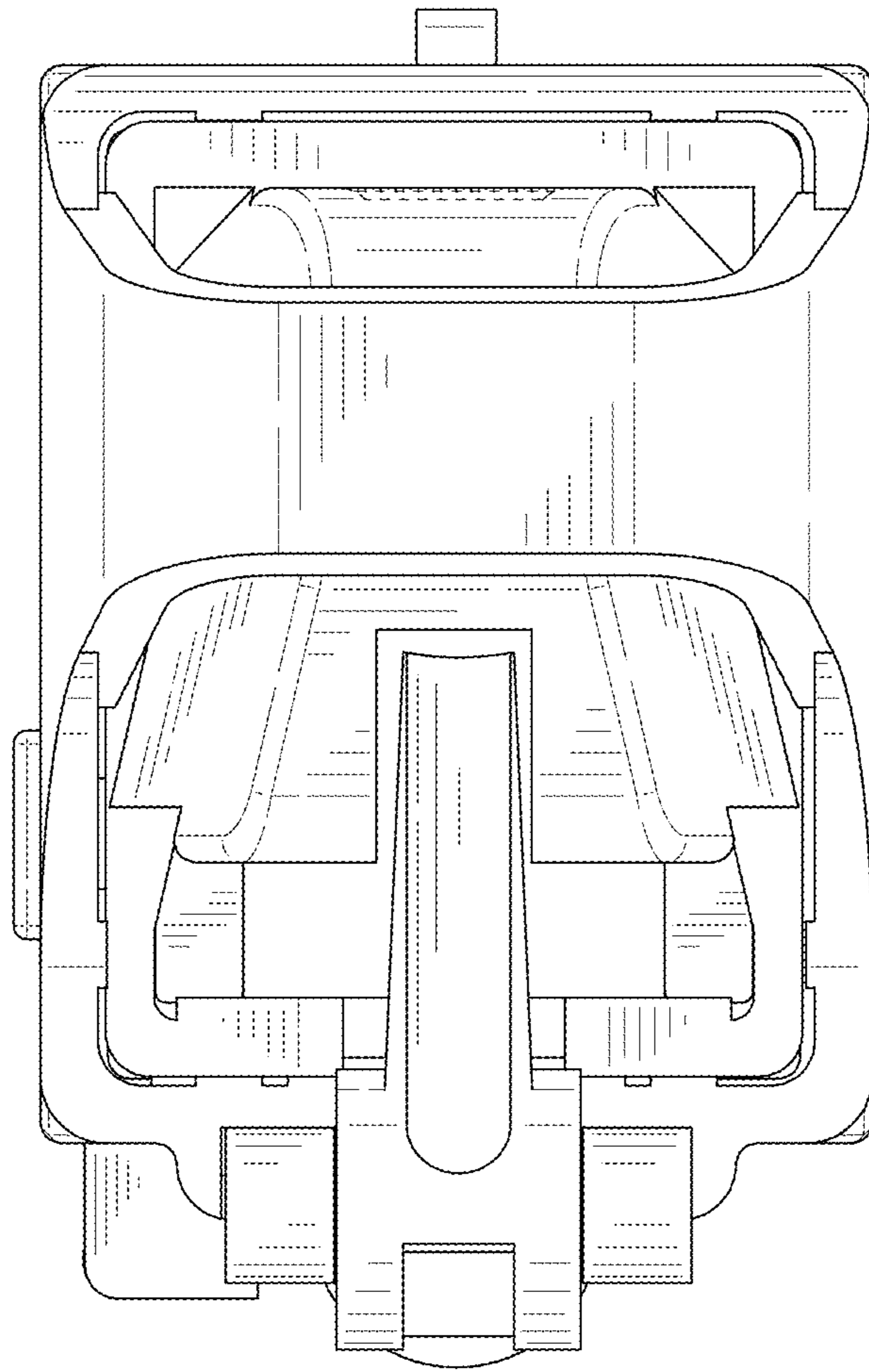


FIG. 7

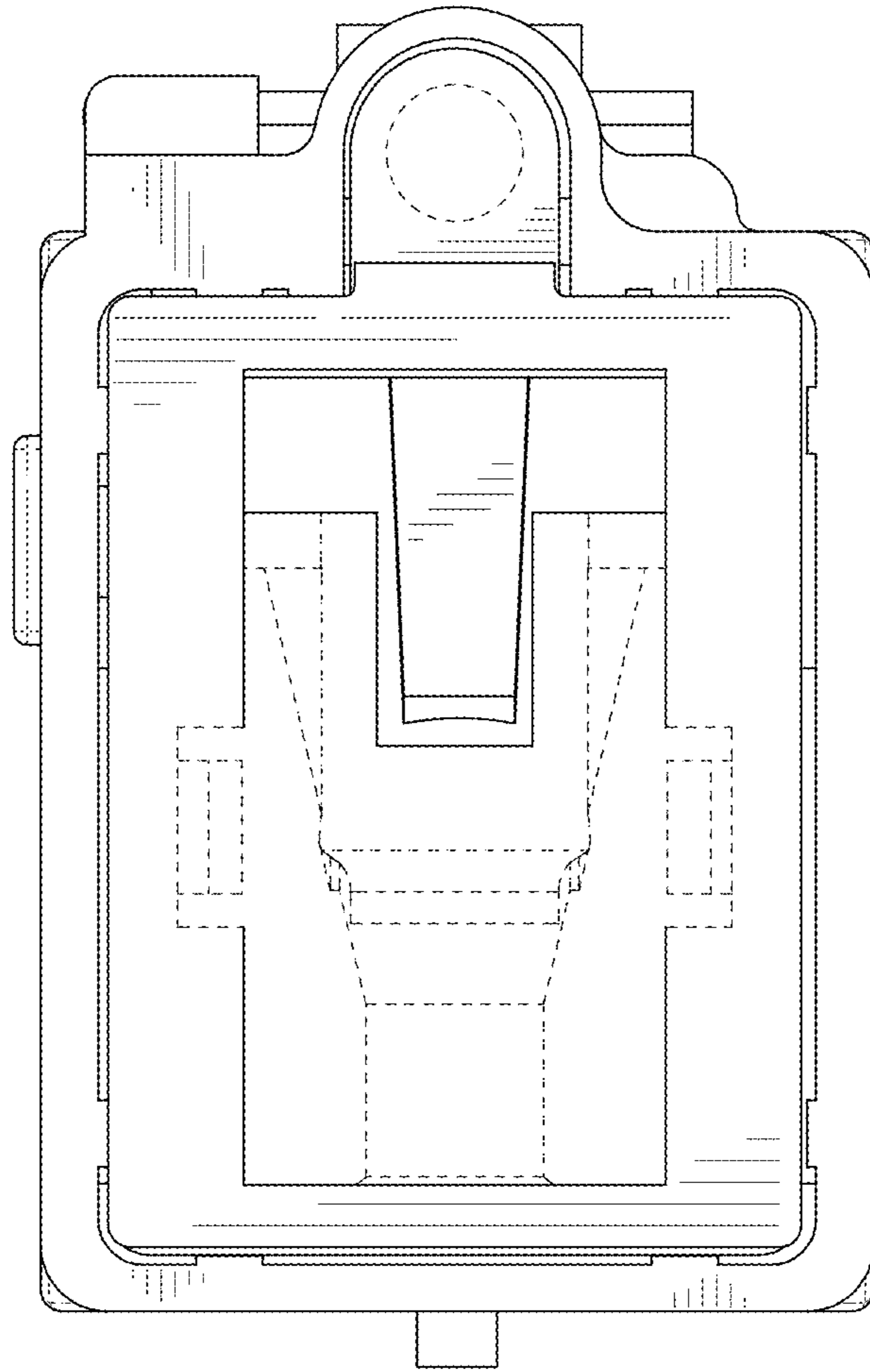


FIG. 8

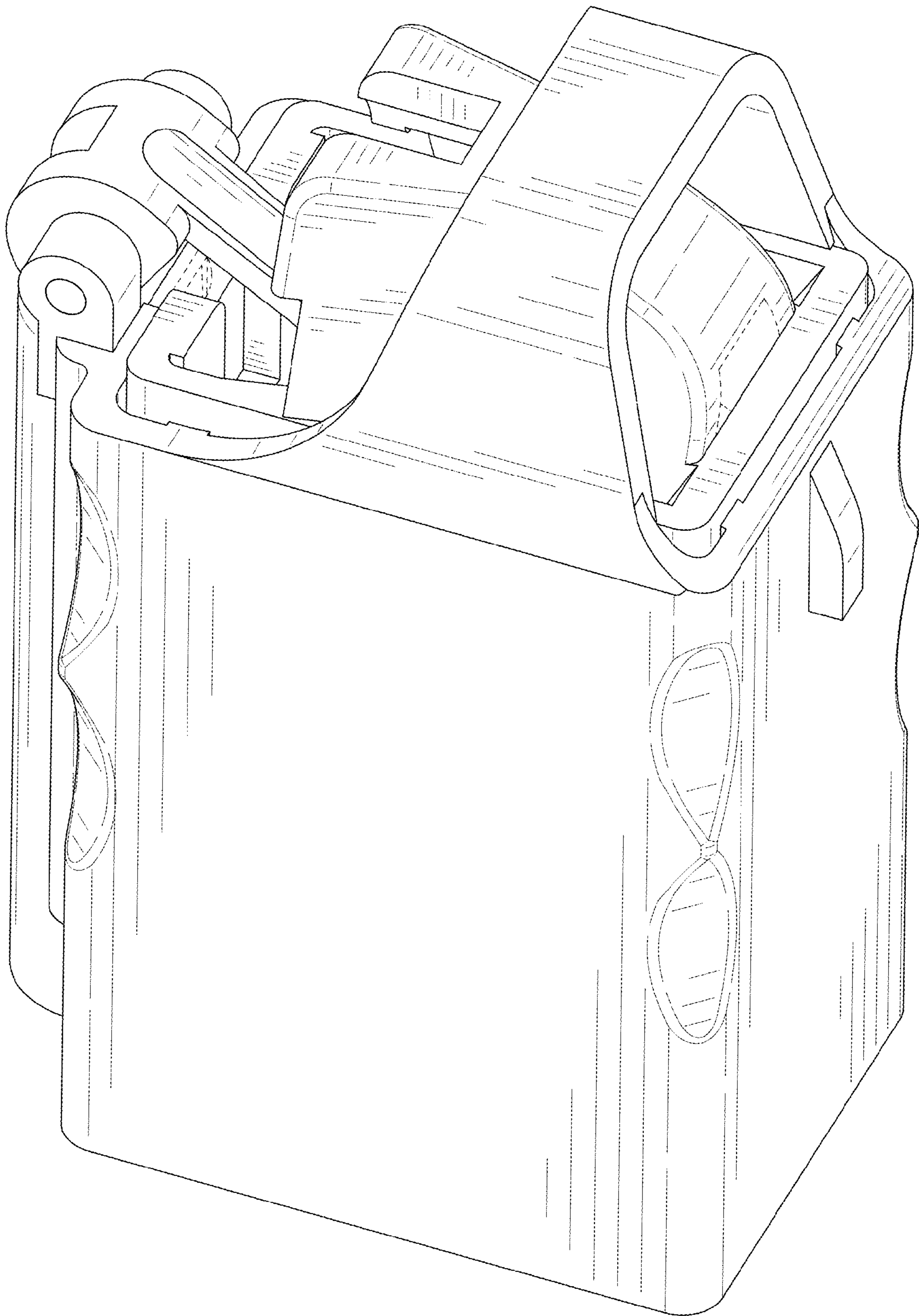


FIG. 9