



US00D919034S

(12) **United States Design Patent**
Kincel et al.

(10) **Patent No.:** **US D919,034 S**

(45) **Date of Patent:** **** May 11, 2021**

(54) **FIREARM HANDGUARD**

FOREIGN PATENT DOCUMENTS

(71) Applicant: **BRAVO COMPANY MFG, INC.**,
Hartland, WI (US)

EP 1832835 A1 9/2007
WO 2013010515 A1 1/2013

(72) Inventors: **Eric Stephen Kincel**, Coeur d'Alene,
ID (US); **Jeffrey James O'Brien**,
Coeur d'Alene, ID (US)

OTHER PUBLICATIONS

Magpul, "The M-LOK System," brochure (2014) 10 pages, www.
magpul.com/foundations.

(73) Assignee: **BRAVO COMPANY MFG, INC.**,
Hartland, WI (US)

(Continued)

(**) Term: **15 Years**

Primary Examiner — T Chase Nelson
Assistant Examiner — Jonathan J. Han

(21) Appl. No.: **29/725,027**

(74) *Attorney, Agent, or Firm* — Michael Best &
Friedrich LLP

(22) Filed: **Feb. 21, 2020**

(57) **CLAIM**

We claim the ornamental design for a firearm handguard, as
shown and described.

Related U.S. Application Data

DESCRIPTION

(63) Continuation of application No. 29/679,095, filed on
Feb. 1, 2019, now Pat. No. Des. 879,904, which is a
(Continued)

FIG. 1 is a perspective view of a first embodiment of a
firearm handguard;

(51) **LOC (13) Cl.** **22-01**

FIG. 2 is a first end view of the first embodiment;

(52) **U.S. Cl.**

FIG. 3 is a first side view of the first embodiment;

USPC **D22/108**

FIG. 4 is second end view of the first embodiment;

(58) **Field of Classification Search**

USPC D22/103, 108; D21/572-575; D14/418;
42/71.01, 75.01, 75.02, 90, 94, 134, 136,
42/139, 125, 72, 111; 89/40.06, 41.19,
89/37.04, 33.04, 191.01, 200-204;
124/66, 67, 72, 74

FIG. 5 is a top view of the first embodiment;

FIG. 6 is a second side view of the first embodiment;

FIG. 7 is a bottom view of the first embodiment;

FIG. 8 is a perspective view of a second embodiment of a
firearm handguard;

FIG. 9 is a first end view of the second embodiment;

FIG. 10 is a first side view of the second embodiment;

FIG. 11 is second end view of the second embodiment;

FIG. 12 is a top view of the second embodiment;

FIG. 13 is a second side view of the second embodiment;
and,

FIG. 14 is a bottom view of the second embodiment.

The portions of the firearm handguard shown in broken lines
form no part of the claimed design.

(Continued)

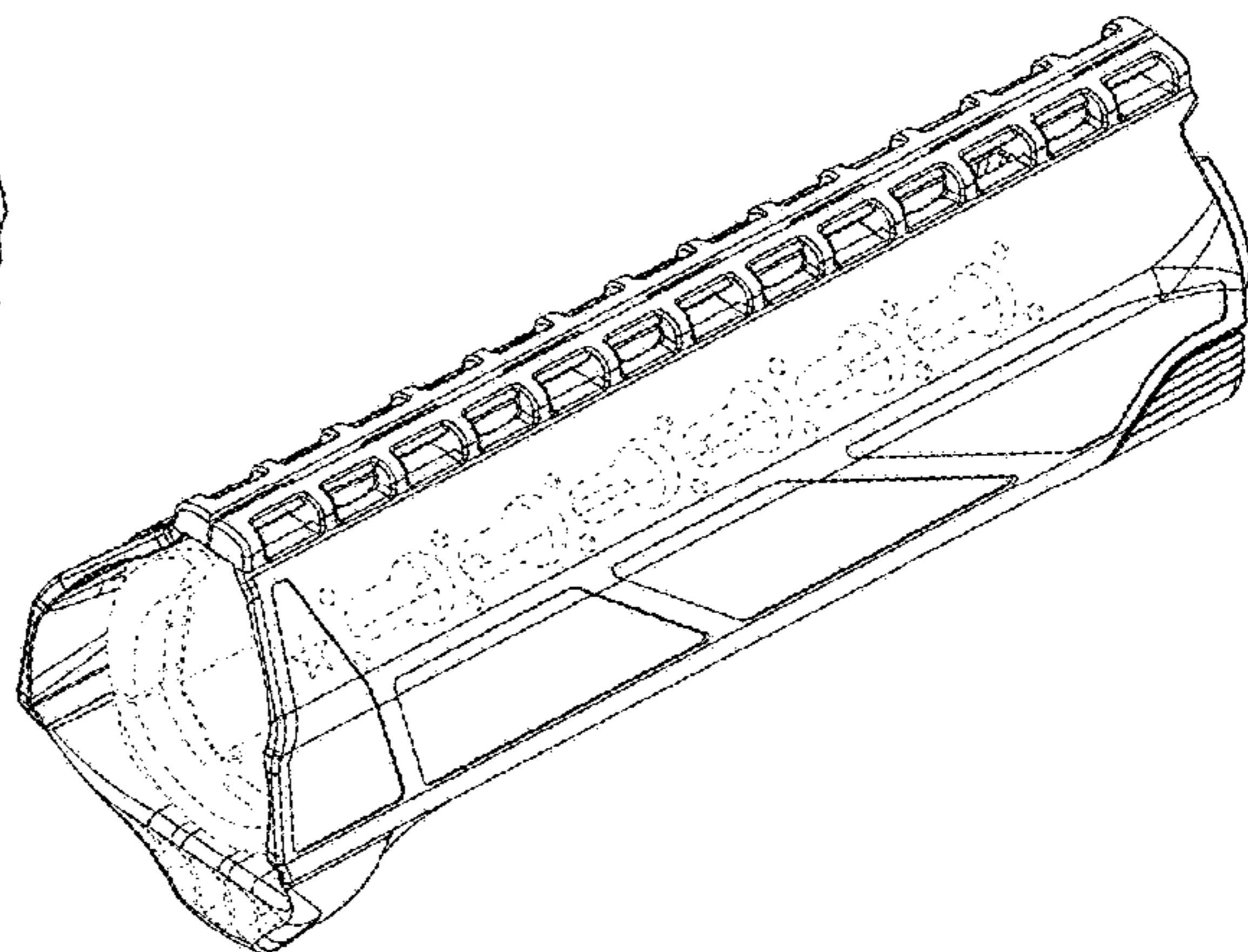
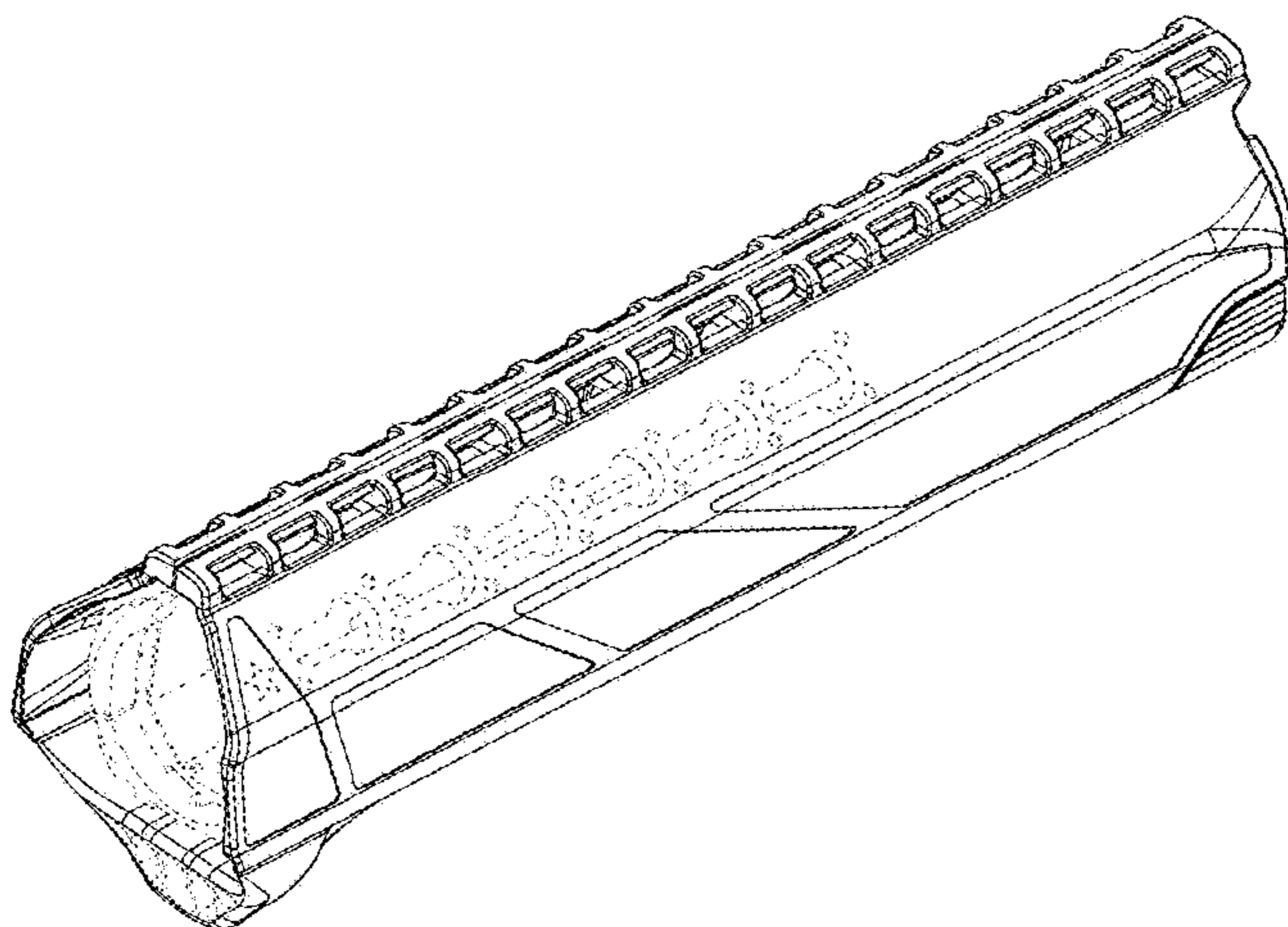
(56) **References Cited**

U.S. PATENT DOCUMENTS

2,078,010 A 4/1937 Meepos
2,102,964 A 12/1937 Mosseberg

(Continued)

1 Claim, 14 Drawing Sheets



Related U.S. Application Data

continuation of application No. 29/581,693, filed on Oct. 20, 2016, now Pat. No. Des. 844,091.

(58) Field of Classification Search

CPC F41C 23/00; F41C 27/00; F41C 27/06; F41C 23/10; F41C 23/14; F41C 23/16; F41C 23/18

See application file for complete search history.

(56) References Cited

U.S. PATENT DOCUMENTS

2,685,754 A 8/1954 Crittendon et al.
 3,066,375 A 12/1962 Knowles et al.
 3,177,587 A 4/1965 Hart
 3,512,653 A 5/1970 Erismann
 3,559,940 A 2/1971 Kruzell
 3,798,818 A 3/1974 Casull
 3,844,627 A 10/1974 Gutner
 3,861,070 A 1/1975 Wild et al.
 4,167,884 A 9/1979 Santanna
 4,663,875 A 5/1987 Tatro
 4,905,396 A 3/1990 Bechtel
 4,959,908 A 10/1990 Weyrauch
 5,078,215 A 1/1992 Nau
 5,412,895 A 5/1995 Krieger
 5,590,484 A 1/1997 Mooney et al.
 5,603,594 A 2/1997 Lincoln
 5,632,108 A 5/1997 Ruger et al.
 6,499,245 B1 12/2002 Swan
 6,609,321 B2 8/2003 Faifer
 6,671,990 B1 1/2004 Booth
 6,836,990 B2 1/2005 Shiloni
 6,874,269 B2 4/2005 Chen et al.
 RE39,465 E 1/2007 Swan
 7,216,451 B1 5/2007 Troy
 7,325,352 B2 2/2008 Matthews et al.
 7,430,829 B2 10/2008 Murello
 7,458,179 B2 12/2008 Swan
 7,464,495 B2 12/2008 Cahill
 D613,811 S 4/2010 Swan
 7,712,242 B2 5/2010 Matthews et al.
 7,716,865 B2 5/2010 Daniel et al.
 7,770,317 B1 8/2010 Tankersley
 7,793,452 B1 9/2010 Samson et al.
 D636,453 S 4/2011 Fitzpatrick et al.
 D641,450 S 7/2011 Ding
 7,971,384 B2 7/2011 Lippard
 8,006,430 B2 8/2011 Wang
 8,051,595 B2 11/2011 Hochstrate et al.
 8,141,285 B2 3/2012 Brown
 8,141,289 B2 3/2012 Gomez et al.
 8,201,353 B1 6/2012 Swan
 8,245,428 B2 8/2012 Griffin
 8,251,051 B2 8/2012 Maggiore
 8,276,303 B2 10/2012 Kapusta et al.
 8,312,668 B2 11/2012 Kincel
 8,438,770 B2 5/2013 Troy
 8,448,367 B2 5/2013 Samson et al.
 8,453,364 B2 6/2013 Kuczynko
 8,490,316 B2 7/2013 Kincel et al.
 8,539,708 B2 9/2013 Kenney et al.
 8,578,647 B2 11/2013 Storch et al.
 8,607,490 B1 12/2013 Zinsner
 D703,286 S 4/2014 Chen et al.
 8,739,448 B2 6/2014 Kimmel et al.
 8,752,320 B2 6/2014 Masters
 D709,582 S 7/2014 Geissele
 8,782,943 B2 7/2014 Jarboe
 D710,964 S 8/2014 Chvala
 8,819,980 B2 9/2014 Geissele
 D717,907 S 11/2014 Montes
 D717,908 S 11/2014 Montes
 D720,421 S 12/2014 Chen
 8,904,691 B1 12/2014 Kincel

D721,407 S 1/2015 Chu
 8,925,236 B1 1/2015 Mayberry et al.
 D722,356 S 2/2015 Keller et al.
 D725,723 S 3/2015 Eddie
 D728,723 S * 5/2015 Peterson D22/108
 D736,886 S * 8/2015 Cheng D22/108
 D737,397 S * 8/2015 Cheng D22/108
 9,103,625 B2 8/2015 Masters
 9,140,506 B2 9/2015 Gomez
 9,157,697 B2 10/2015 Leclair
 D744,054 S 11/2015 Peterson et al.
 D746,399 S 12/2015 Folkestad, II et al.
 D746,936 S 1/2016 Huang
 D747,426 S 1/2016 Cheng et al.
 D747,428 S * 1/2016 Chen D22/108
 9,239,209 B2 1/2016 Mayberry et al.
 9,239,210 B2 1/2016 Mayberry et al.
 D749,181 S 2/2016 Hu
 D751,663 S * 3/2016 Ding D22/108
 D752,171 S * 3/2016 Chen D22/108
 9,297,599 B2 3/2016 Underwood et al.
 9,303,949 B1 4/2016 Oglesby
 9,322,609 B2 4/2016 Davies
 D755,338 S 5/2016 Slank
 D757,201 S 5/2016 Meier
 D757,204 S 5/2016 Chow et al.
 D757,878 S 5/2016 Barroot et al.
 9,377,274 B2 6/2016 Kincel
 9,383,163 B2 7/2016 Kincel et al.
 9,389,043 B1 7/2016 Zhang
 D764,620 S 8/2016 Packard et al.
 9,423,194 B2 8/2016 Fritz et al.
 9,429,388 B2 8/2016 Mayberry et al.
 D768,800 S 10/2016 Willits
 9,459,078 B1 10/2016 Kincel
 9,464,865 B2 10/2016 Shea et al.
 9,470,472 B2 10/2016 Kincel et al.
 9,476,672 B2 10/2016 Wells et al.
 D770,590 S * 11/2016 Sui D22/108
 D771,216 S 11/2016 Dubois
 D774,616 S * 12/2016 Barrett D22/108
 9,513,083 B1 12/2016 Oglesby
 9,523,554 B2 12/2016 Mayberry et al.
 9,528,793 B1 12/2016 Oglesby
 D779,013 S 2/2017 Cheng et al.
 D779,014 S 2/2017 Cheng et al.
 9,581,412 B2 2/2017 Cheng et al.
 9,599,439 B1 3/2017 Sylvester
 D783,760 S 4/2017 Pavlick
 D783,761 S 4/2017 Pavlick
 9,625,233 B2 * 4/2017 Daniel F41C 23/16
 D785,743 S 5/2017 Pavlick
 9,696,112 B2 7/2017 Gottzmann et al.
 9,709,358 B2 7/2017 Kincel
 D795,986 S 8/2017 Frederickson et al.
 9,766,035 B2 9/2017 Storch
 9,772,161 B1 9/2017 Cheng
 9,791,239 B1 10/2017 Kincel et al.
 9,921,029 B2 3/2018 Roberts et al.
 D815,710 S 4/2018 Packard et al.
 D818,073 S * 5/2018 Dubois D22/108
 9,964,380 B1 5/2018 Oglesby
 9,995,557 B2 6/2018 Geissele
 D827,082 S 8/2018 Dubois
 D828,480 S * 9/2018 Hiler, Jr. D22/108
 D828,898 S 9/2018 McKillips
 D834,113 S * 11/2018 Chu D21/574
 10,126,094 B2 11/2018 Kincel et al.
 10,126,095 B1 11/2018 Reid
 10,145,648 B1 12/2018 Holder et al.
 D844,091 S 3/2019 Kincel et al.
 10,240,901 B1 3/2019 Cheng
 10,260,838 B1 * 4/2019 Kincel F41G 11/003
 10,274,283 B1 4/2019 Oglesby
 10,295,304 B1 5/2019 Kincel et al.
 D851,200 S * 6/2019 Ding D22/108
 10,309,747 B2 6/2019 Samson et al.
 10,345,075 B1 7/2019 Oglesby
 10,401,122 B2 9/2019 Williams

(56)

References Cited

U.S. PATENT DOCUMENTS

D865,111 S 10/2019 Storch
 10,473,432 B2 11/2019 Jen
 D872,218 S * 1/2020 Kincel D22/108
 D879,904 S * 3/2020 Kincel D22/108
 10,619,971 B2 4/2020 Hubbell et al.
 D888,184 S 6/2020 Bietsch et al.
 D891,563 S * 7/2020 Hu D22/108
 D903,806 S * 12/2020 Storch D22/108
 D904,545 S * 12/2020 Chin D22/108
 10,883,794 B2 1/2021 Jen et al.
 2001/0045046 A1 11/2001 Otteman
 2003/0230022 A1 12/2003 Battaglia
 2004/0009034 A1 1/2004 Miller
 2004/0049964 A1 3/2004 Vais
 2005/0268512 A1 12/2005 Battaglia
 2006/0065112 A1 3/2006 Kuczynko et al.
 2006/0191183 A1 8/2006 Griffin
 2007/0017139 A1 1/2007 Larue
 2008/0092422 A1 4/2008 Daniel
 2008/0301994 A1 12/2008 Langevin et al.
 2009/0000175 A1 1/2009 Potterfield et al.
 2009/0100734 A1 4/2009 Swan et al.
 2009/0178325 A1 7/2009 Veilleux
 2010/0095575 A1 4/2010 Swan
 2010/0122485 A1 5/2010 Kincel
 2010/0242332 A1 9/2010 Teetzel et al.
 2010/0319231 A1 12/2010 Stone et al.
 2011/0032694 A1 2/2011 Swan et al.
 2011/0126443 A1 6/2011 Sirois
 2011/0192066 A1 8/2011 Kimmel et al.
 2011/0247254 A1 10/2011 Barnes
 2012/0042557 A1 2/2012 Gomez et al.
 2012/0097807 A1 4/2012 Rees
 2012/0124880 A1 5/2012 Leclair
 2012/0016743 A1 7/2012 Masters
 2012/0167434 A1 7/2012 Masters
 2012/0180359 A1 7/2012 Fitzpatrick et al.
 2012/0186123 A1 7/2012 Troy et al.
 2012/0311908 A1 12/2012 Kenney et al.
 2012/0324775 A1 12/2012 Troy et al.
 2013/0031820 A1 2/2013 Deros
 2013/0036646 A1 2/2013 Rubac et al.
 2013/0104441 A1 5/2013 Kincel
 2013/0133238 A1 5/2013 Quetschke
 2013/0180151 A1 7/2013 Moore
 2013/0276341 A1 10/2013 Wells et al.
 2013/0318848 A1 12/2013 Kincel
 2013/0318852 A1 * 12/2013 Teetzel F41G 11/003
 42/90
 2014/0000142 A1 1/2014 Patel
 2014/0026459 A1 1/2014 Yan et al.
 2014/0041273 A1 2/2014 Masters
 2014/0075817 A1 3/2014 Gomez
 2014/0082990 A1 3/2014 Lee
 2014/0115938 A1 5/2014 Jarboe
 2014/0115939 A1 5/2014 Troy et al.
 2014/0115940 A1 5/2014 Bonelli et al.

2014/0130390 A1 5/2014 Geissele
 2014/0204566 A1 7/2014 Kay
 2014/0373419 A1 12/2014 Leclair
 2015/0000171 A1 1/2015 Roberts
 2015/0198408 A1 7/2015 Kincel et al.
 2015/0219422 A1 8/2015 Kincel
 2015/0267993 A1 9/2015 Cheng et al.
 2015/0285583 A1 10/2015 Mayberry et al.
 2015/0285584 A1 10/2015 Mayberry et al.
 2015/0285585 A1 10/2015 Hewes et al.
 2015/0316347 A1 11/2015 Shea et al.
 2015/0369555 A1 12/2015 Daniel et al.
 2015/0369558 A1 12/2015 Gottzmann
 2016/0010946 A1 1/2016 Gibbons et al.
 2016/0025120 A1 1/2016 Swan et al.
 2016/0054096 A1 2/2016 Dzwil
 2016/0091277 A1 3/2016 Mayberry et al.
 2016/0169617 A1 6/2016 Daley, Jr.
 2016/0187100 A1 6/2016 Mayberry et al.
 2016/0195350 A1 7/2016 Packard et al.
 2016/0349011 A1 12/2016 Jen
 2017/0016695 A1 1/2017 Willits
 2017/0067718 A1 3/2017 Mayberry et al.
 2017/0097207 A1 4/2017 Hines
 2017/0205183 A1 7/2017 Ding et al.
 2017/0261276 A1 9/2017 Morris
 2017/0307328 A1 10/2017 Shelton et al.
 2018/0023919 A1 1/2018 Kincel et al.
 2019/0226799 A1 7/2019 Hubbell et al.

OTHER PUBLICATIONS

Magpul, "The M-LOK System," brochure (2014) p. 1-10 Rev. 1.2, www.magpul.com/foundations.
<http://b5systems.com/keymod-hand-guard-mid-length/>, Dec. 20, 2016, 2 pages.
<http://www.recoilweb.com/b5-systems-color-wheels-39707.html>, Dec. 20, 2016, 4 pages.
http://www.evike.com/images/large/HG_MP_PTSMOE2.jpg, Dec. 20, 2016, 1 page.
<http://www.evike.com/products/30805/>, Dec. 20, 2016, 3 pages.
 BCMGUNFIGHTER PKMR Mid Length-Black, BravoCompanyUSA.com, [online], [site visited Oct. 17, 2017]. <URL: <https://www.bravocompanyusa.com/BCM-PKMR-POLYMER-KEYMOD-RAIL-p/bcm-pkrmr-mid-blk.htm>> (Year: 2017).
 BCMGUNFIGHTER PKMR Carbine Length-Black, BravoCompanyUSA.com, [online], [site visited Oct. 17, 2017]. <URL: <https://www.bravocompanyusa.com/BCM-PKMR-POLYMER-KEYMOD-RAIL-Carbine-p/bcm-pkrmr-car-blk.htm>> (Year 2017).
 RECOILtv Mail Call: Some Fall 2016 New BCM Products (full episode), YouTube.com, RECOILweb, Published on Sep 26, 2016, [online], [site visited Oct. 17, 2017]. <URL: https://www.youtube.com/watch?v=_FKkwuh4kCg> (Year 2016).
 Magpul Moe M-LOK AR-15/M4 Mid-Length Hand Guard, Academy.com, [online], [site visited Oct. 17, 2017]. <URL: <http://www.academy.com/shop/pdp/magpul-moe-m-lok-ar-15m4-mid-length-hand-guard>> (Year: 2017).

* cited by examiner

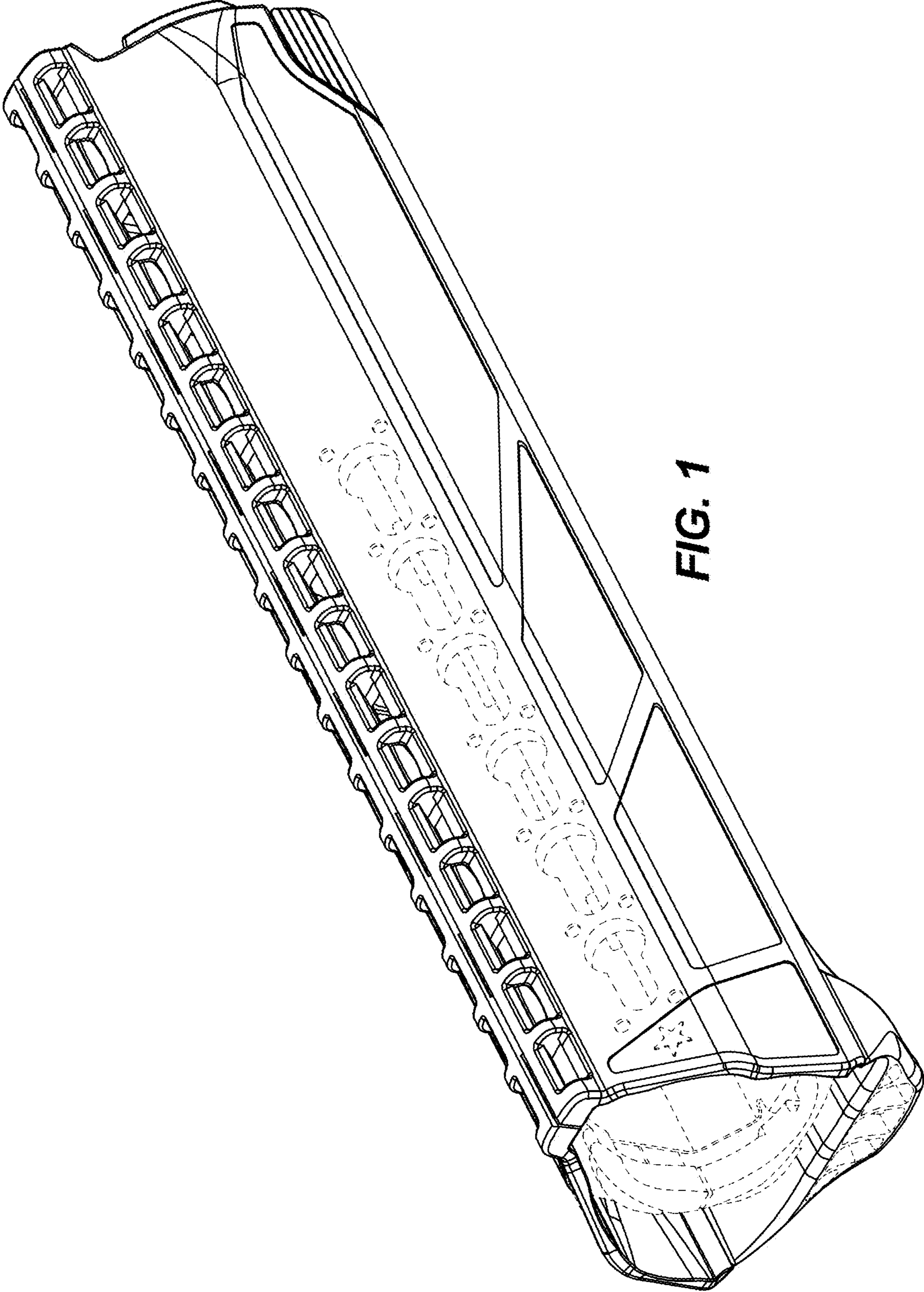


FIG. 1

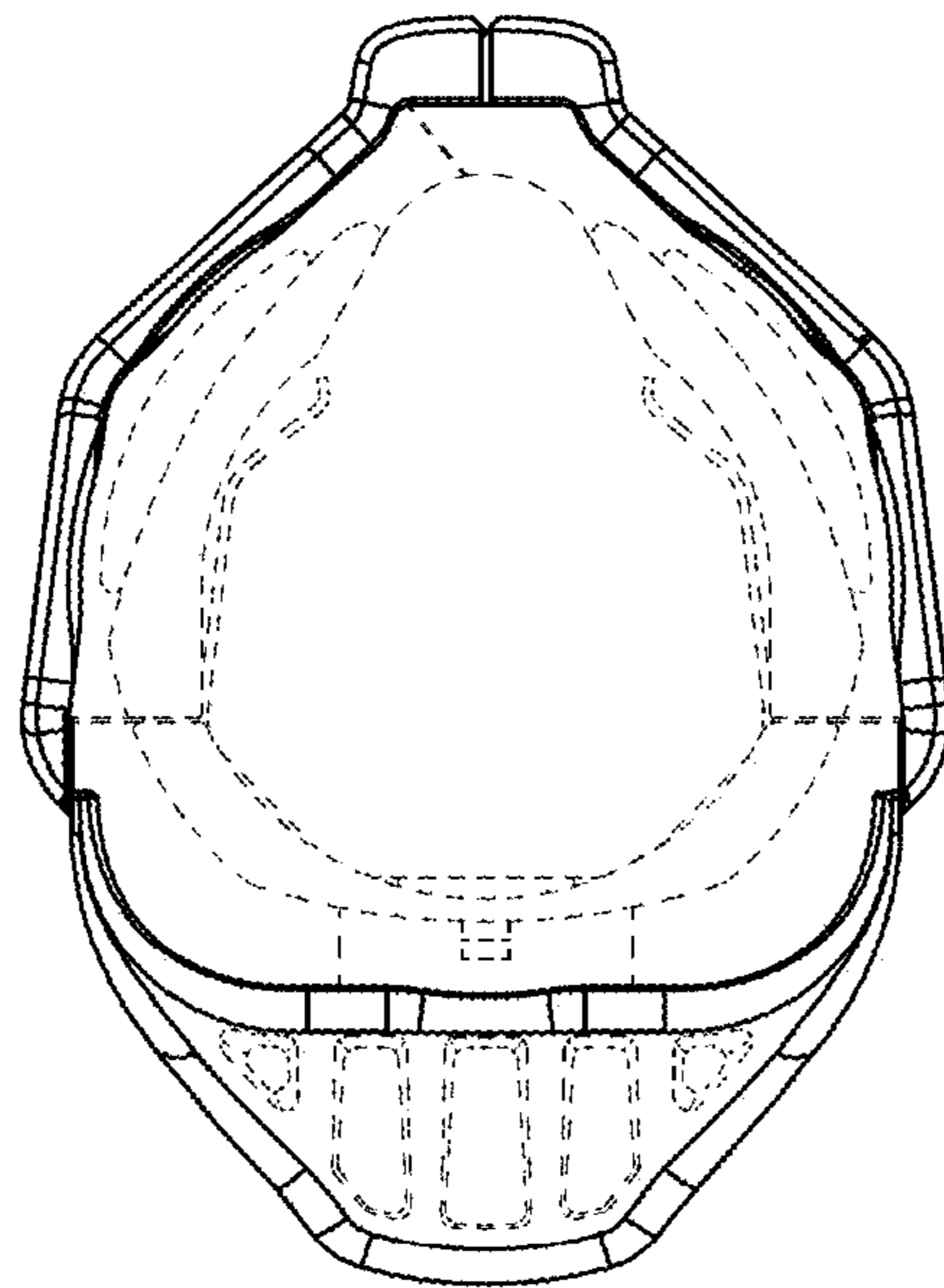


FIG. 2

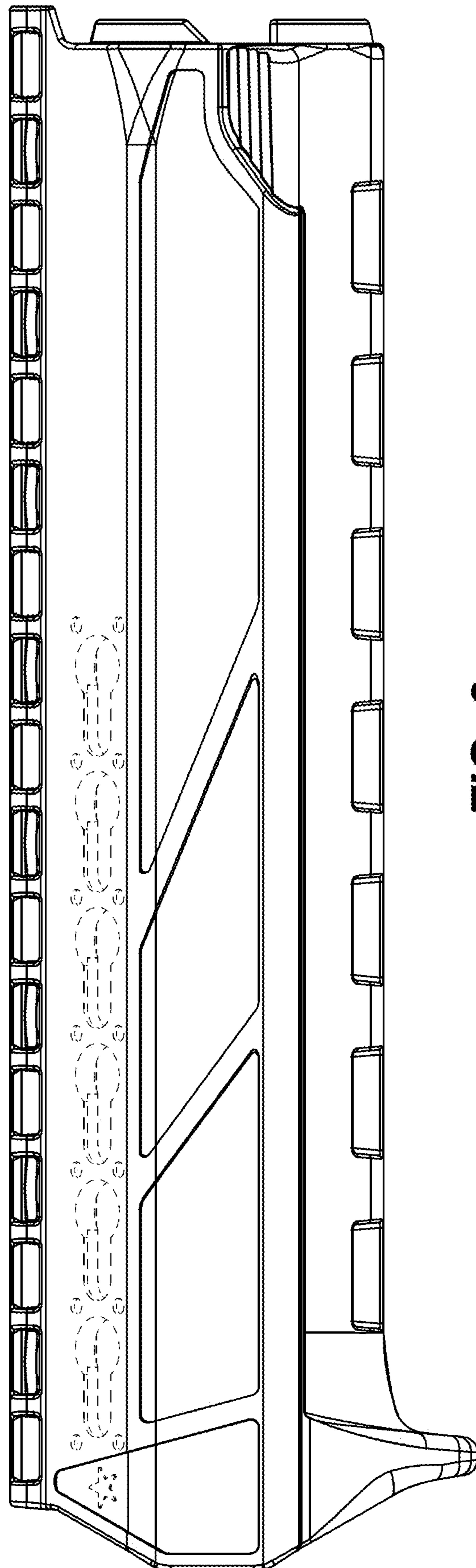


FIG. 3

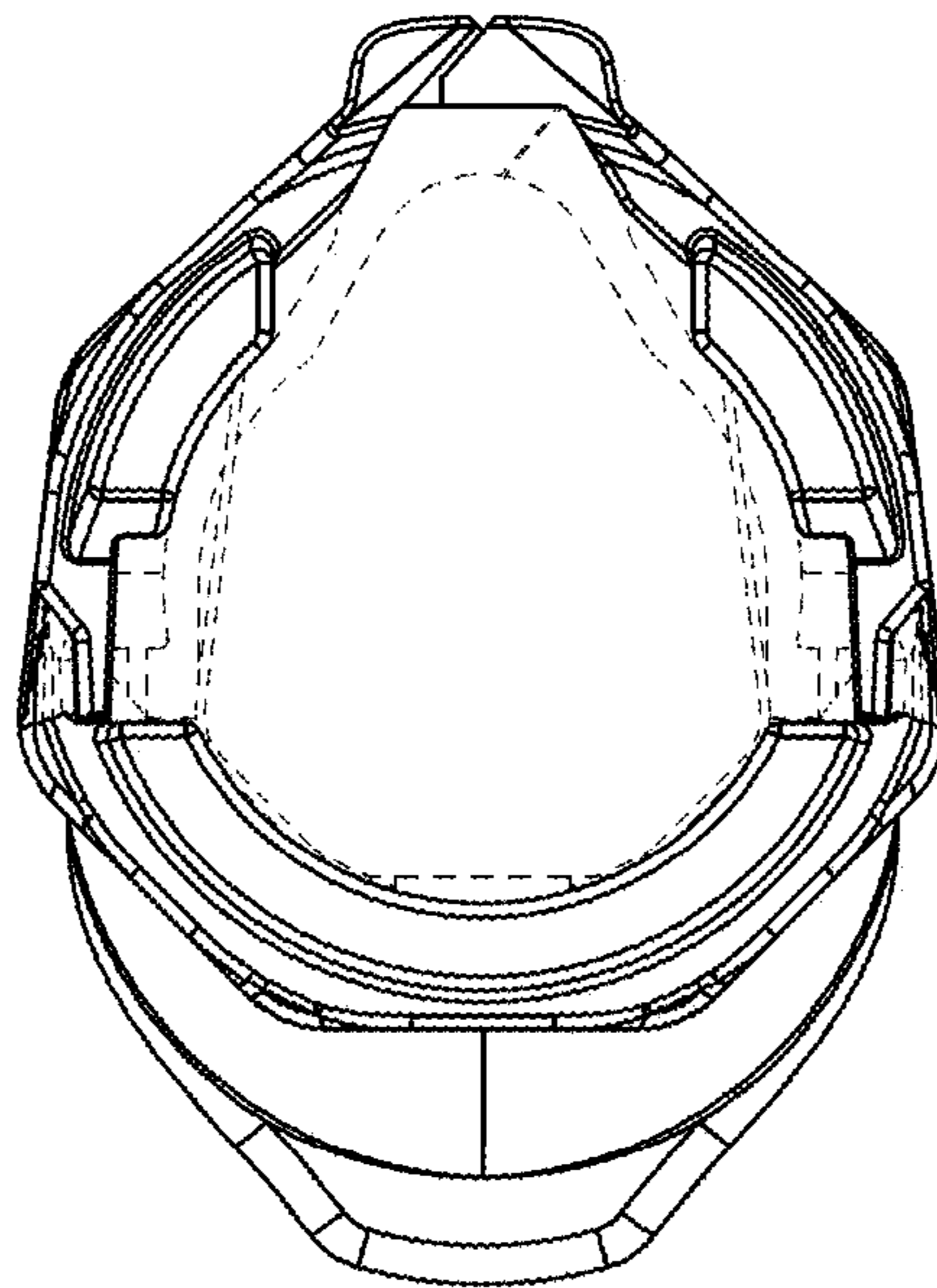


FIG. 4

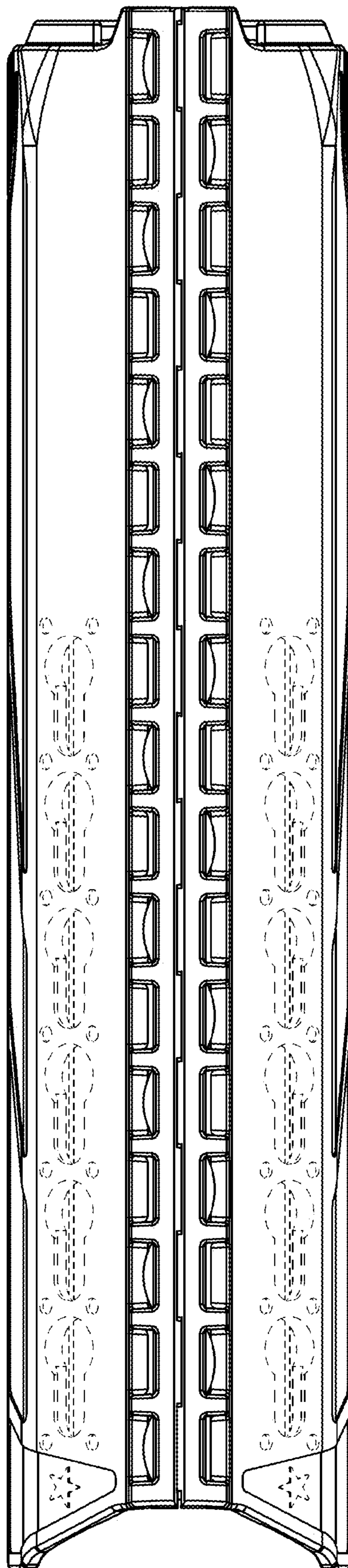


FIG. 5

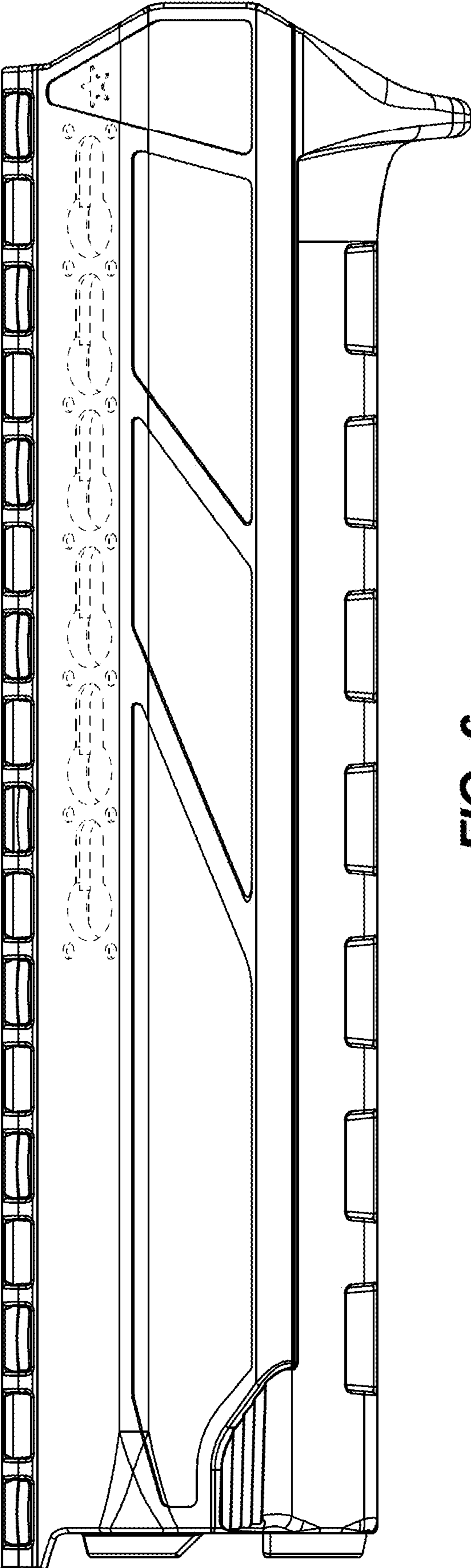


FIG. 6

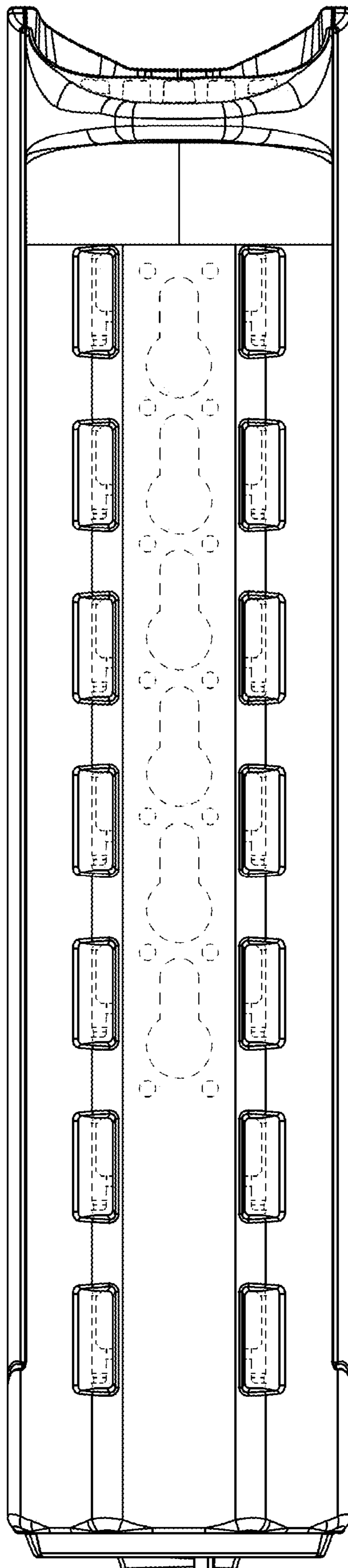


FIG. 7

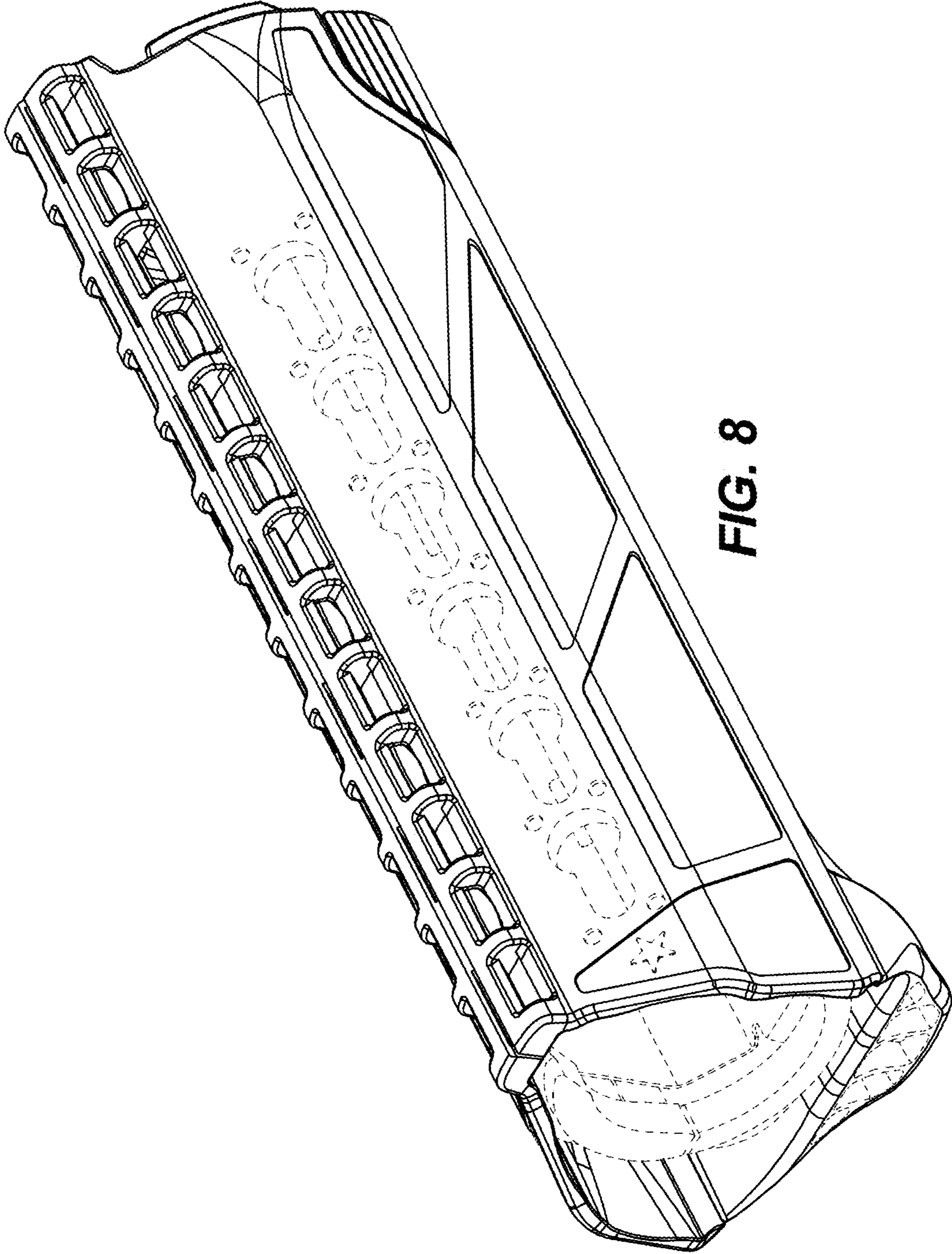


FIG. 8

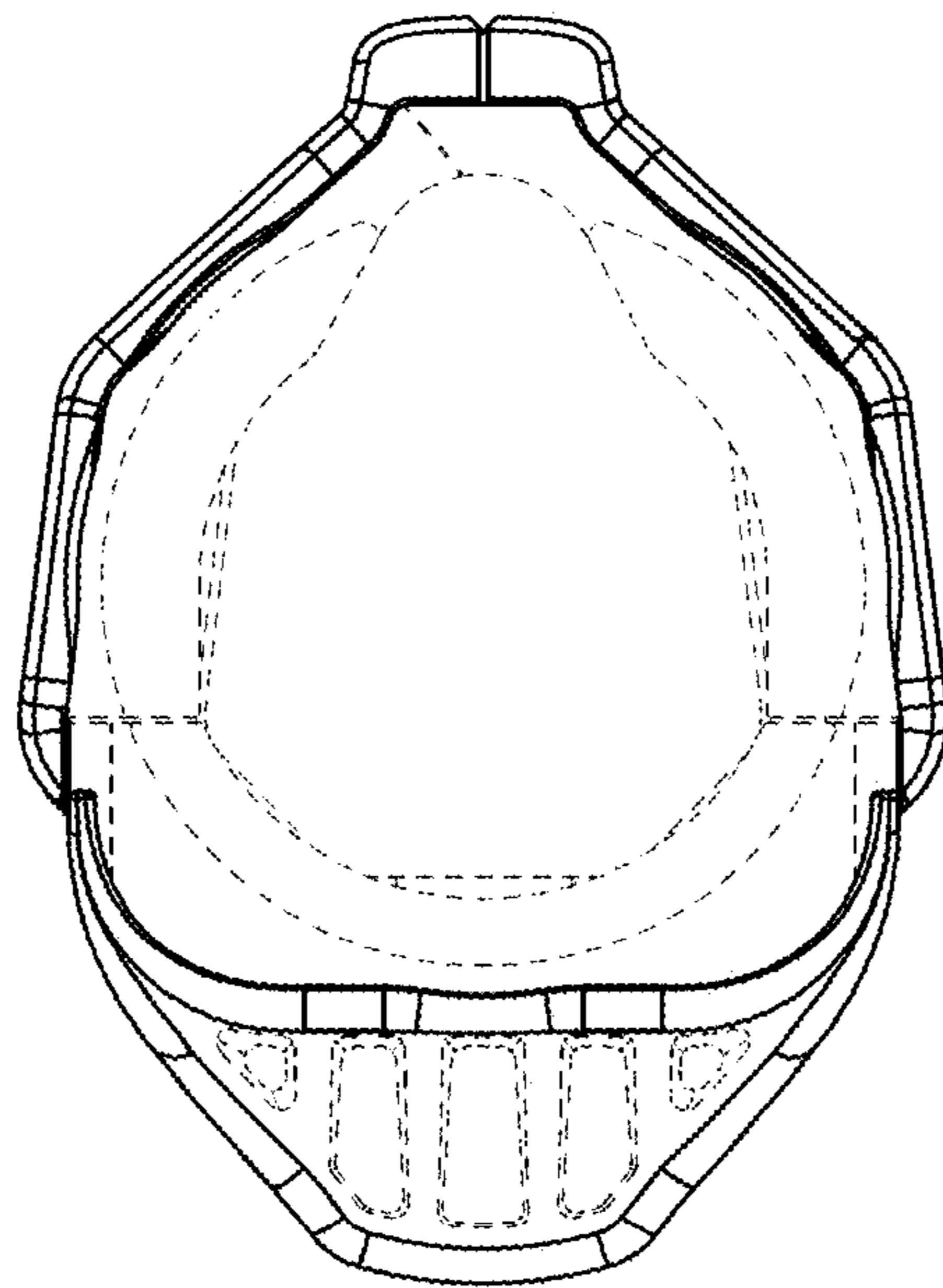


FIG. 9

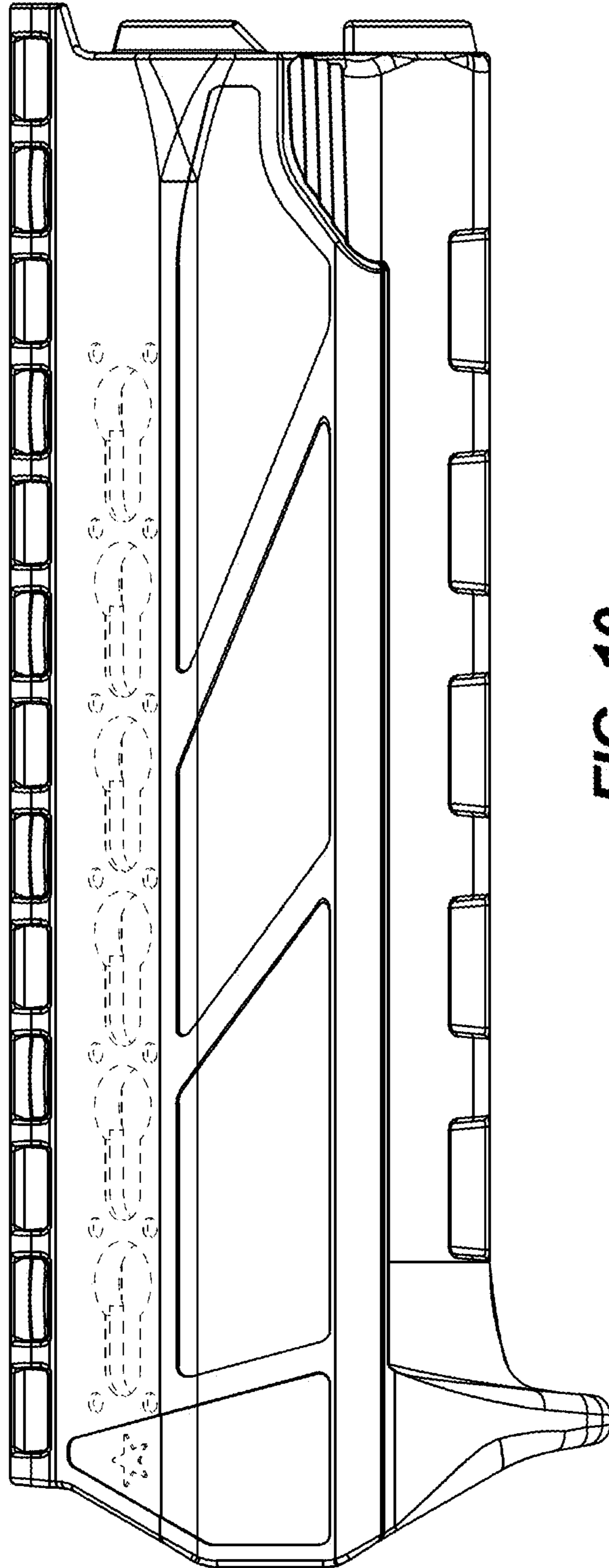


FIG. 10

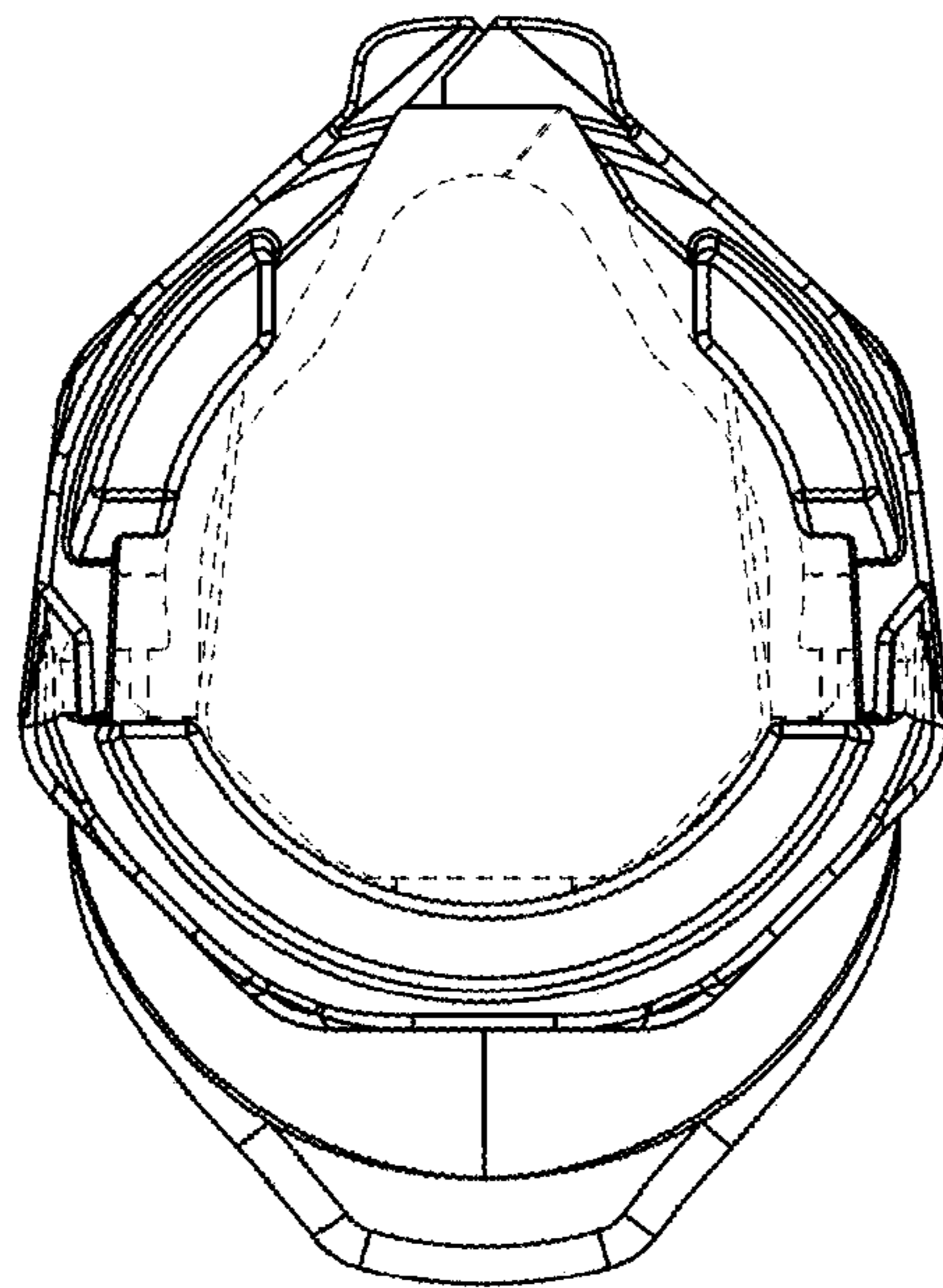


FIG. 11

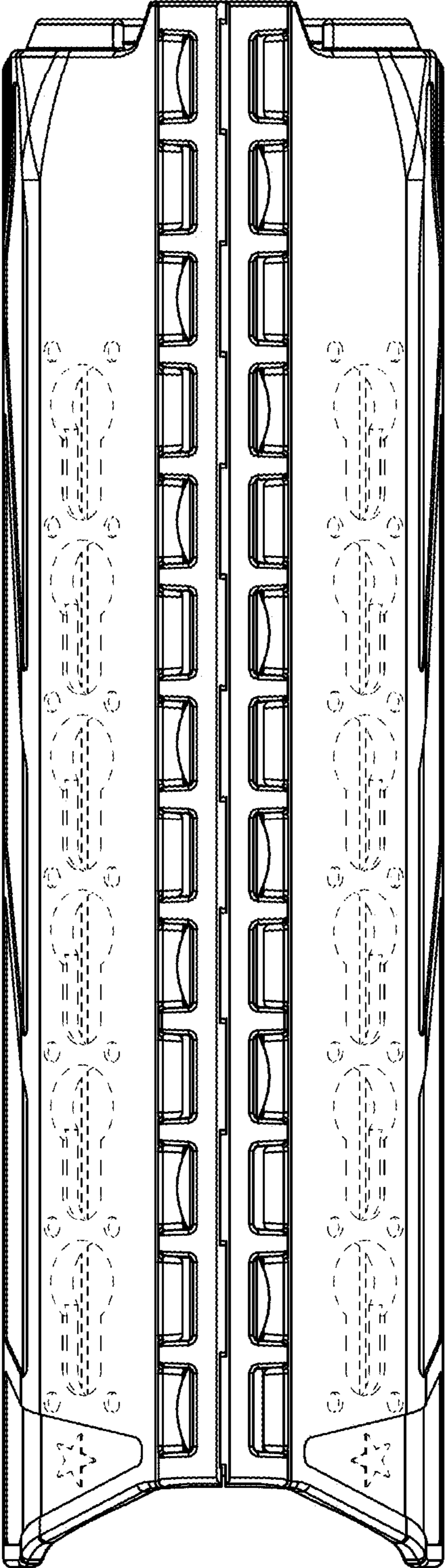


FIG. 12

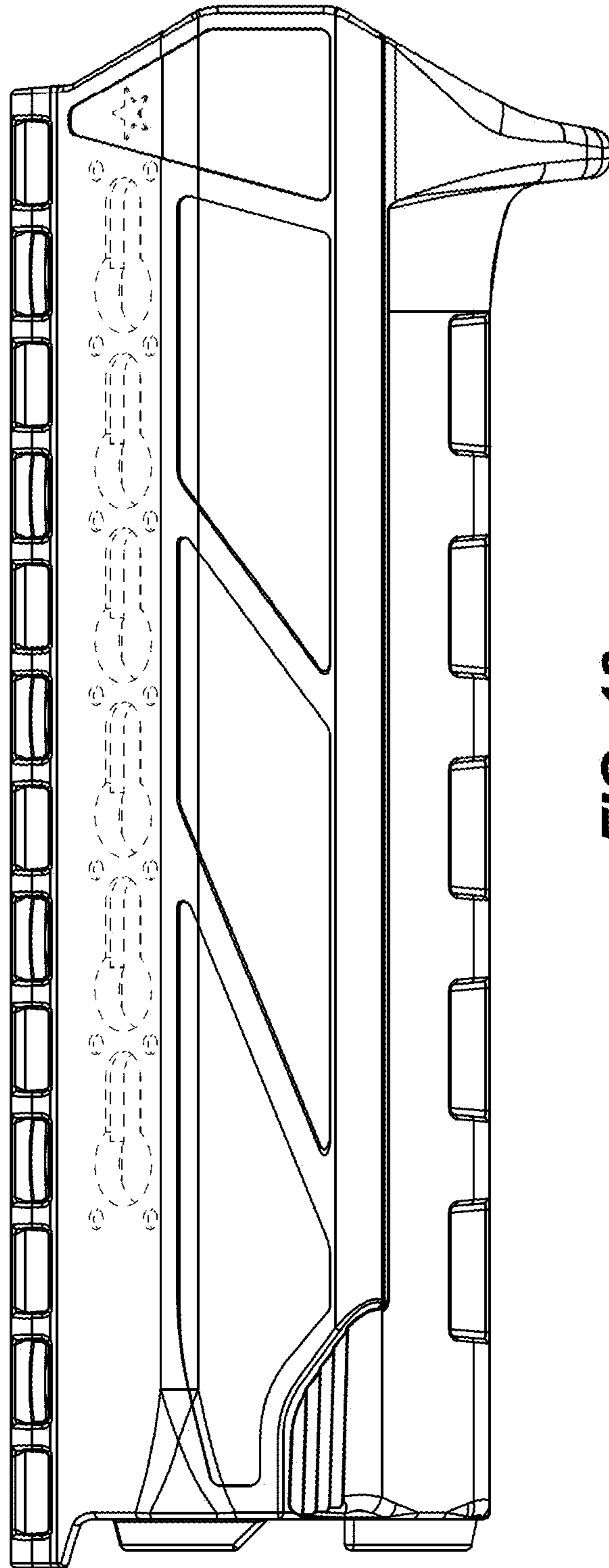


FIG. 13

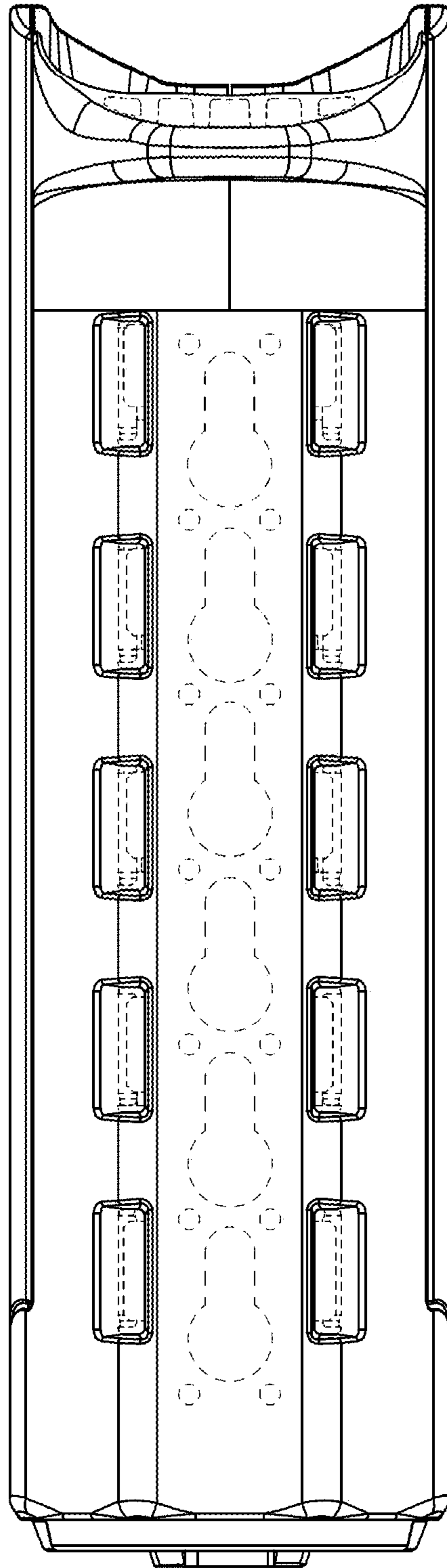


FIG. 14