



US00D919032S

(12) **United States Design Patent** (10) **Patent No.:** **US D919,032 S**  
**Blackwood et al.** (45) **Date of Patent:** **\*\* May 11, 2021**

- (54) **SWING SEAT** 2,358,098 A 9/1944 Pippin
- (71) Applicant: **PlayCore Wisconsin, Inc.,** 2,524,967 A 10/1950 Ellis  
Chattanooga, TN (US) 3,011,825 A \* 12/1961 Hannas ..... A63G 9/00  
297/245
- (72) Inventors: **Kim Corvin Blackwood,** Boaz, AL 3,825,299 A \* 7/1974 Gaucher ..... A47C 3/0255  
(US); **Thomas Robert Norquist,** Fort 297/157.1  
Payne, AL (US); **Brian K. Henry,** Fort  
Payne, AL (US) 3,918,709 A 11/1975 Bishop  
4,256,300 A 3/1981 Boucher  
4,417,725 A \* 11/1983 Van Horn ..... A63G 9/00  
428/542.2

(Continued)

- (73) Assignee: **PLAYCORE WISCONSIN, INC.,**  
Chattanooga, TN (US)

FOREIGN PATENT DOCUMENTS

- (\*\*) Term: **15 Years** EP 2067510 6/2009

- (21) Appl. No.: **29/703,071**

OTHER PUBLICATIONS

- (22) Filed: **Aug. 23, 2019**

Lee Ji-Sun swing picture from Pinterest, printed on May 8, 2013.

**Related U.S. Application Data**

*Primary Examiner* — Mitchell I. Siegel

- (62) Division of application No. 29/634,440, filed on Jan. 22, 2018, now Pat. No. Des. 863,486.

(74) *Attorney, Agent, or Firm* — McAndrews, Held & Malloy, Ltd.

- (51) **LOC (13) Cl.** ..... **21-02**

(57) **CLAIM**

- (52) **U.S. Cl.**  
USPC ..... **D21/823**

The ornamental design for a swing seat, as shown and described.

- (58) **Field of Classification Search**  
USPC ..... D21/811, 814, 822–825  
CPC ..... A63G 9/00–9/22  
See application file for complete search history.

**DESCRIPTION**

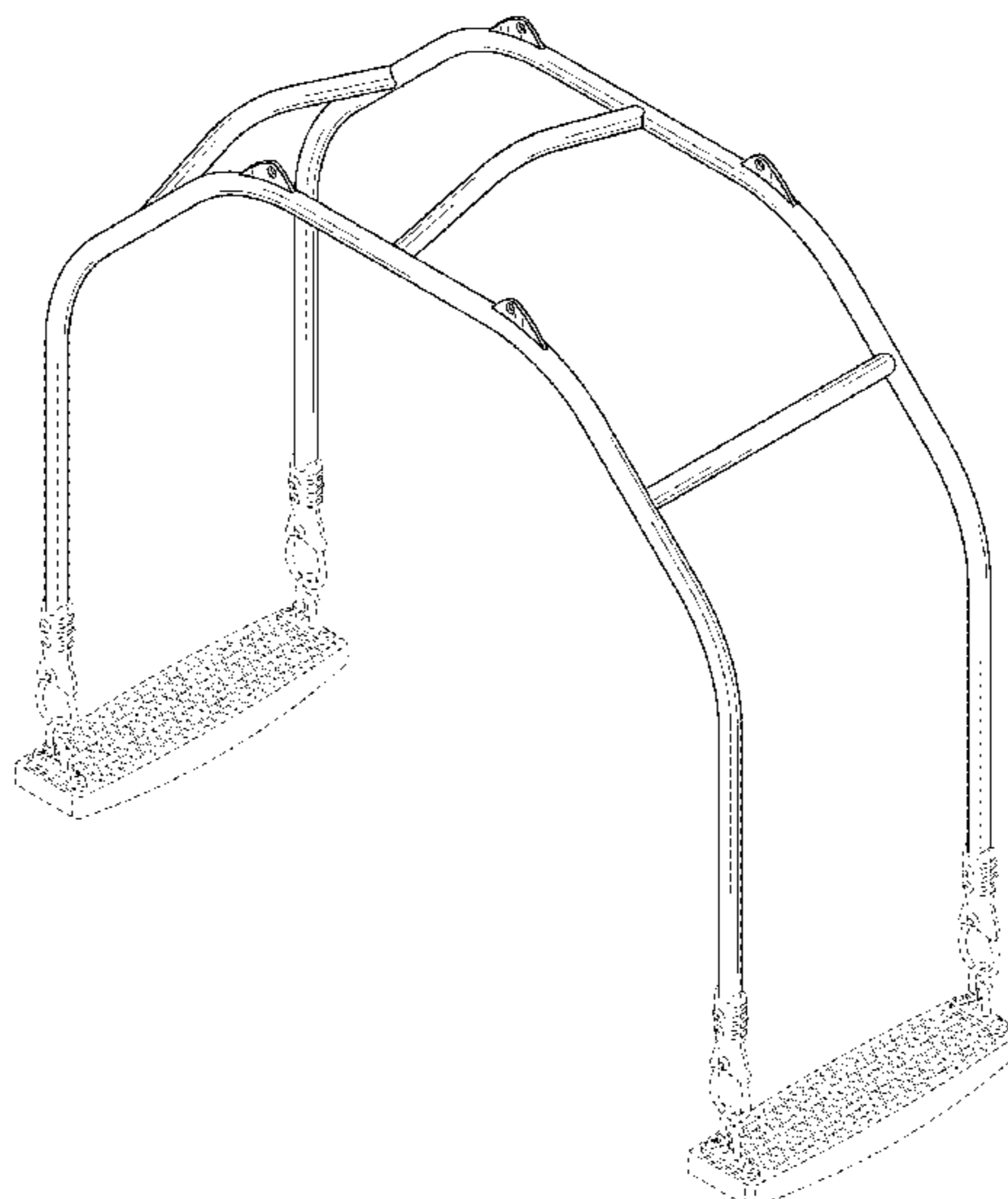
- (56) **References Cited**

U.S. PATENT DOCUMENTS

- 317,028 A \* 5/1885 Shields ..... B64D 11/06  
297/245
- 383,533 A 5/1888 Bettes
- 383,553 A \* 5/1888 Bettes ..... A47D 13/10  
472/123
- 623,254 A \* 4/1899 McGlamery ..... A47D 11/005  
297/7
- 868,640 A \* 10/1907 Buch ..... A47C 3/0255  
297/278
- 1,886,904 A 11/1932 Rice

FIG. 1 is top, front, right side perspective view of a first embodiment of a swing seat showing our new design; FIG. 2 is a left side elevational view thereof; FIG. 3 is a right side elevational view thereof; FIG. 4 is a front elevational view thereof; FIG. 5 is a rear elevational view thereof; FIG. 6 is a top plan view thereof; FIG. 7 is a bottom plan view thereof; and, FIG. 8 is a top, front, right side perspective view thereof, including additional unclaimed environmental features. The broken lines shown on the drawing figures form no part of the claimed design.

**1 Claim, 6 Drawing Sheets**



(56)

References Cited

U.S. PATENT DOCUMENTS

4,570,928 A \* 2/1986 Smith ..... A63G 9/20  
 472/120  
 D289,541 S \* 4/1987 Forester ..... D21/829  
 4,699,423 A 10/1987 Fitzig et al.  
 D315,775 S \* 3/1991 Jones ..... D21/823  
 D340,275 S \* 10/1993 Haun ..... D21/823  
 D341,948 S \* 12/1993 Nolan ..... D6/337  
 5,344,212 A 9/1994 Muller et al.  
 D355,013 S \* 1/1995 Schechner ..... D21/823  
 5,875,779 A 3/1999 Fuhrman et al.  
 D428,638 S \* 7/2000 Tucker ..... D21/830  
 6,482,096 B1 \* 11/2002 Rieber ..... A63G 9/00  
 472/118  
 6,994,631 B1 \* 2/2006 Habing ..... A47C 3/0255  
 297/245  
 D529,981 S \* 10/2006 Tseng ..... D21/823  
 7,300,355 B1 \* 11/2007 Hense ..... A63G 9/04  
 472/118  
 D591,004 S 4/2009 Rickman  
 7,578,746 B1 8/2009 Johnson  
 D724,167 S \* 3/2015 Barker ..... D21/823  
 9,061,213 B2 \* 6/2015 Hsu ..... A63G 9/00  
 9,084,940 B2 \* 7/2015 Norquist ..... A47D 13/00  
 D769,393 S \* 10/2016 Chen ..... D21/823  
 9,468,296 B1 \* 10/2016 Chen ..... A63G 9/00  
 9,511,296 B2 \* 12/2016 Bertschy ..... A63G 9/00  
 D778,381 S \* 2/2017 Bertschy ..... D21/823  
 D810,853 S \* 2/2018 Bertschy ..... D21/823  
 D863,486 S \* 10/2019 Blackwood ..... D21/823  
 2005/0107173 A1 5/2005 Pelletier  
 2009/0131184 A1 5/2009 Pizmony  
 2015/0057092 A1 \* 2/2015 Norquist ..... A47D 13/00  
 472/125

\* cited by examiner

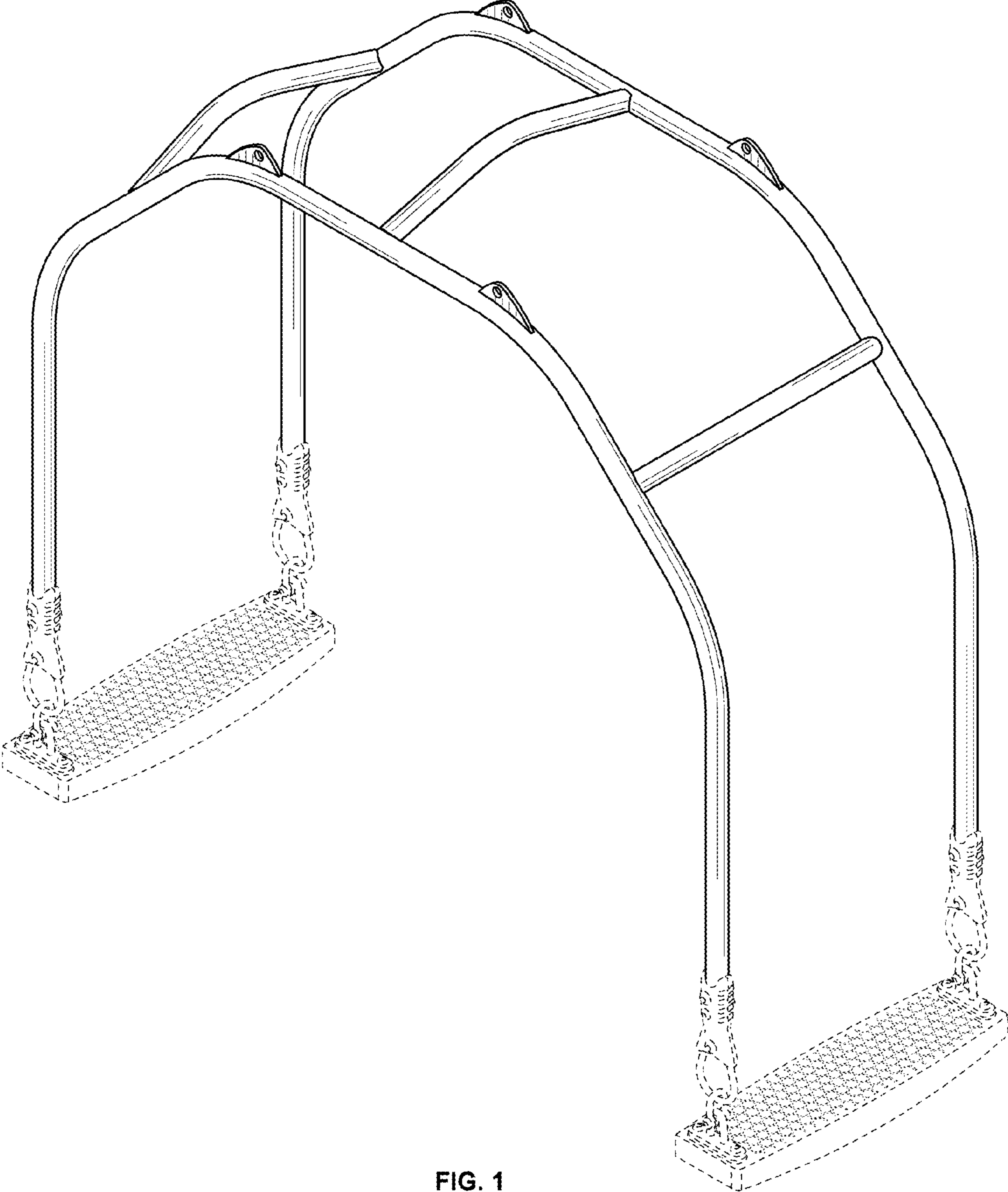


FIG. 1

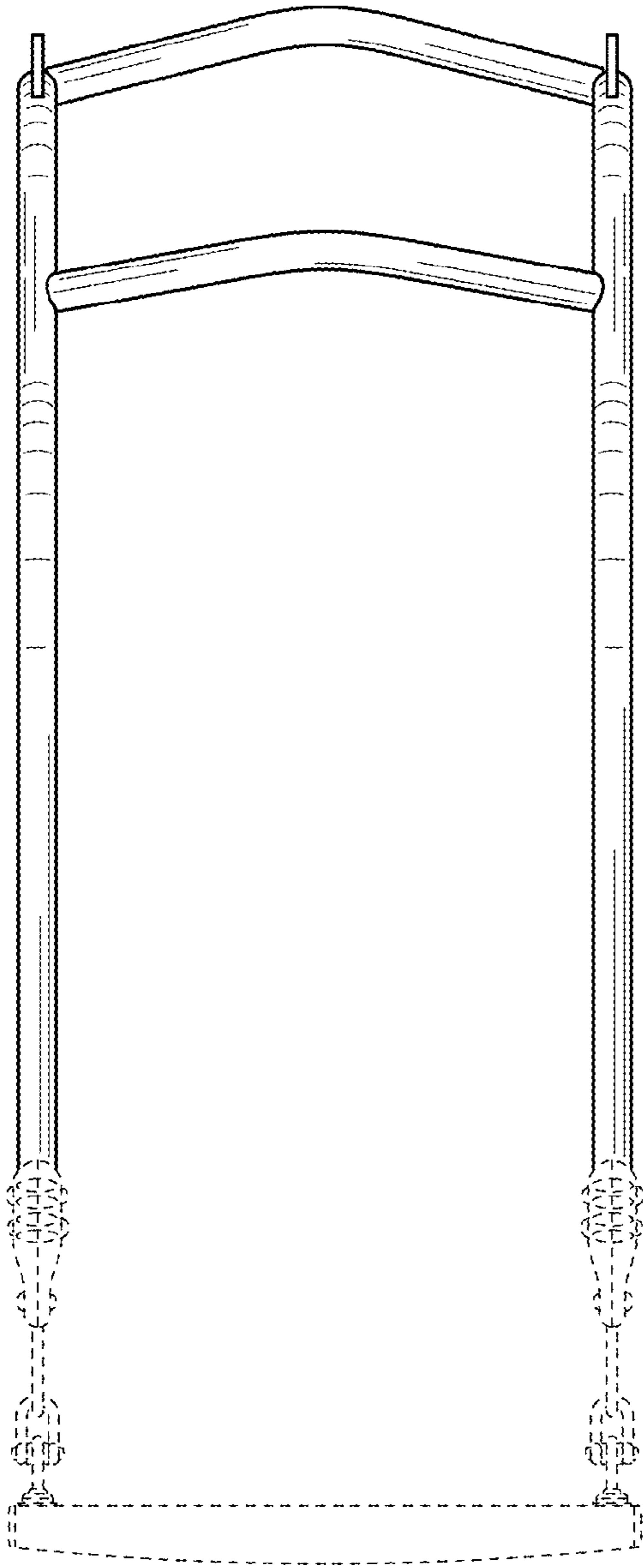


FIG. 2

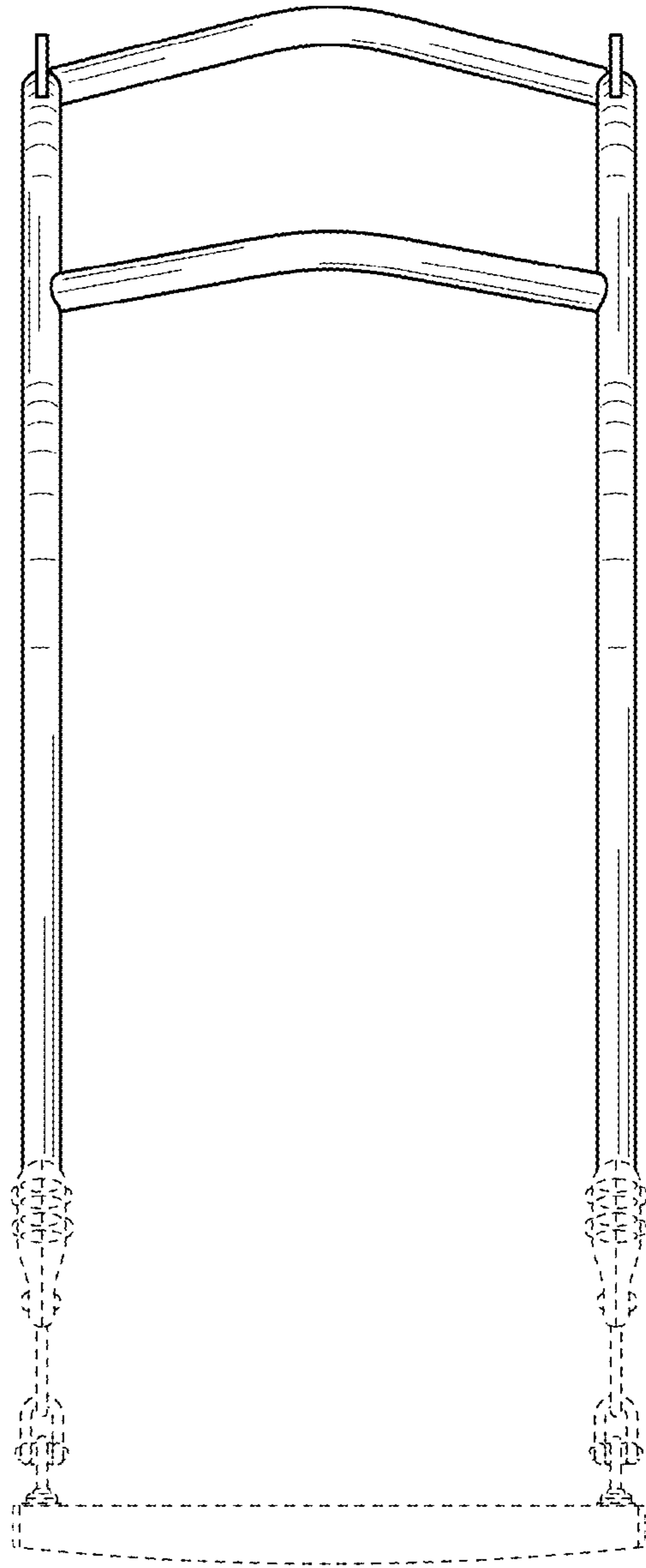


FIG. 3

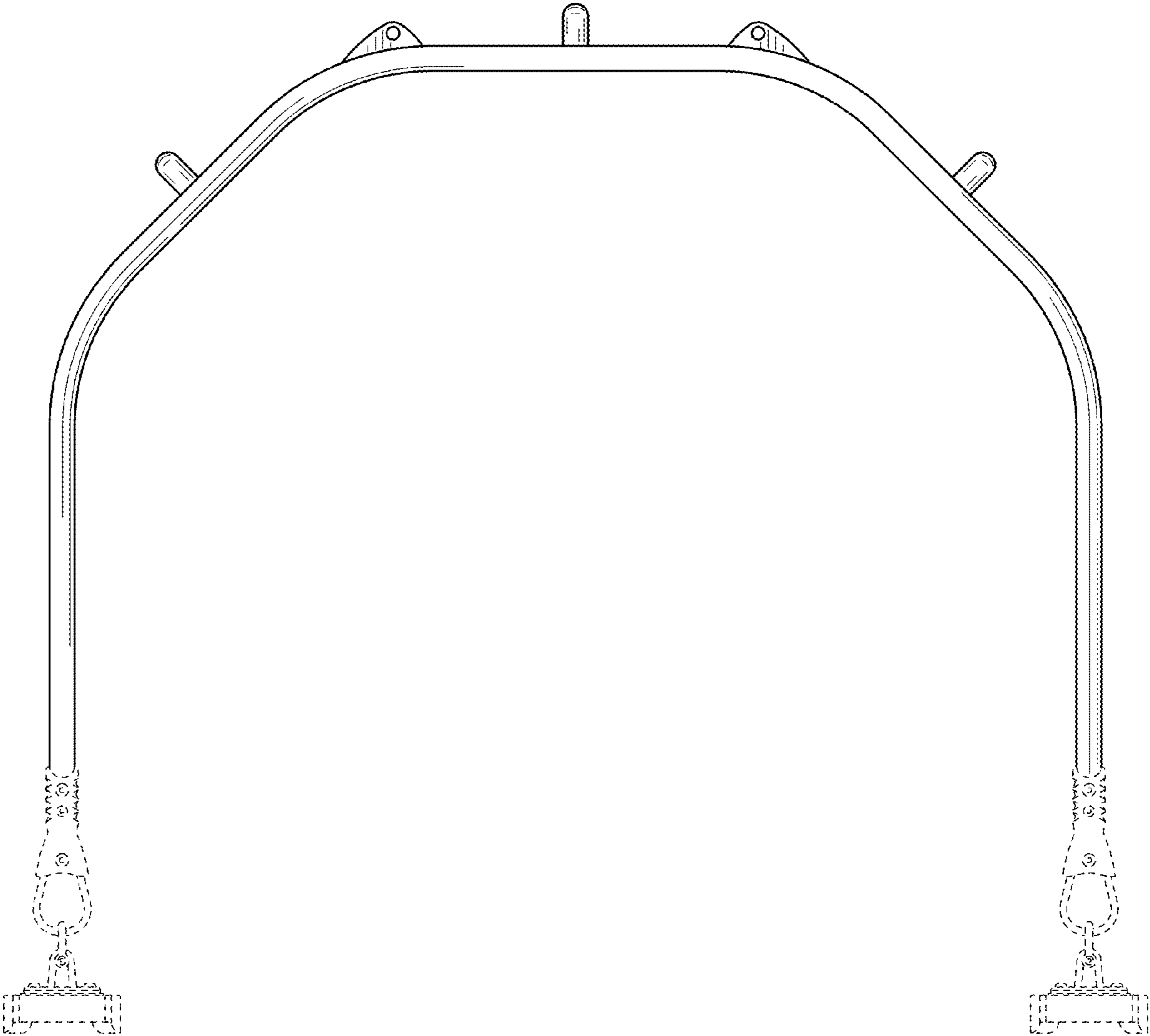


FIG. 4

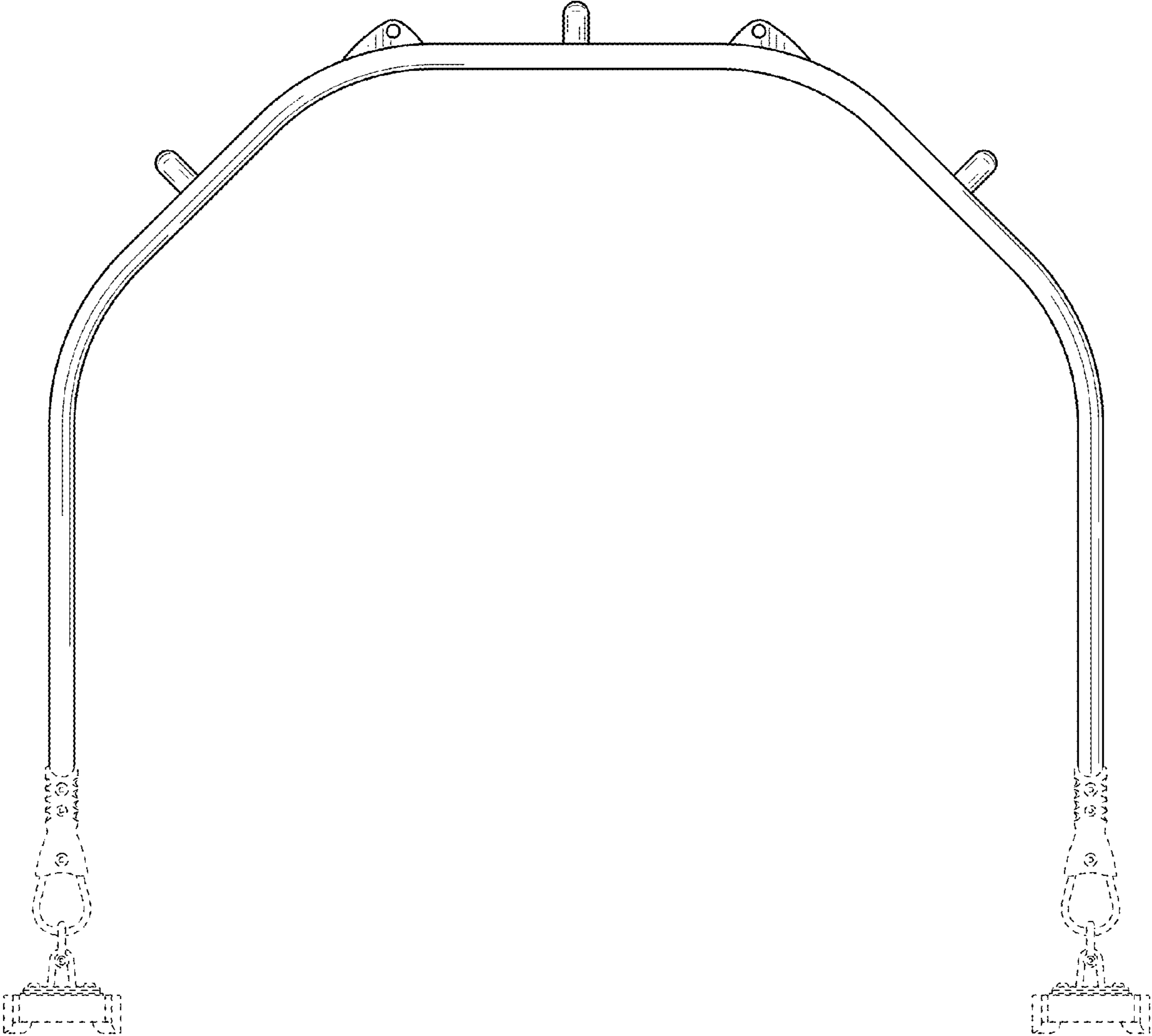


FIG. 5

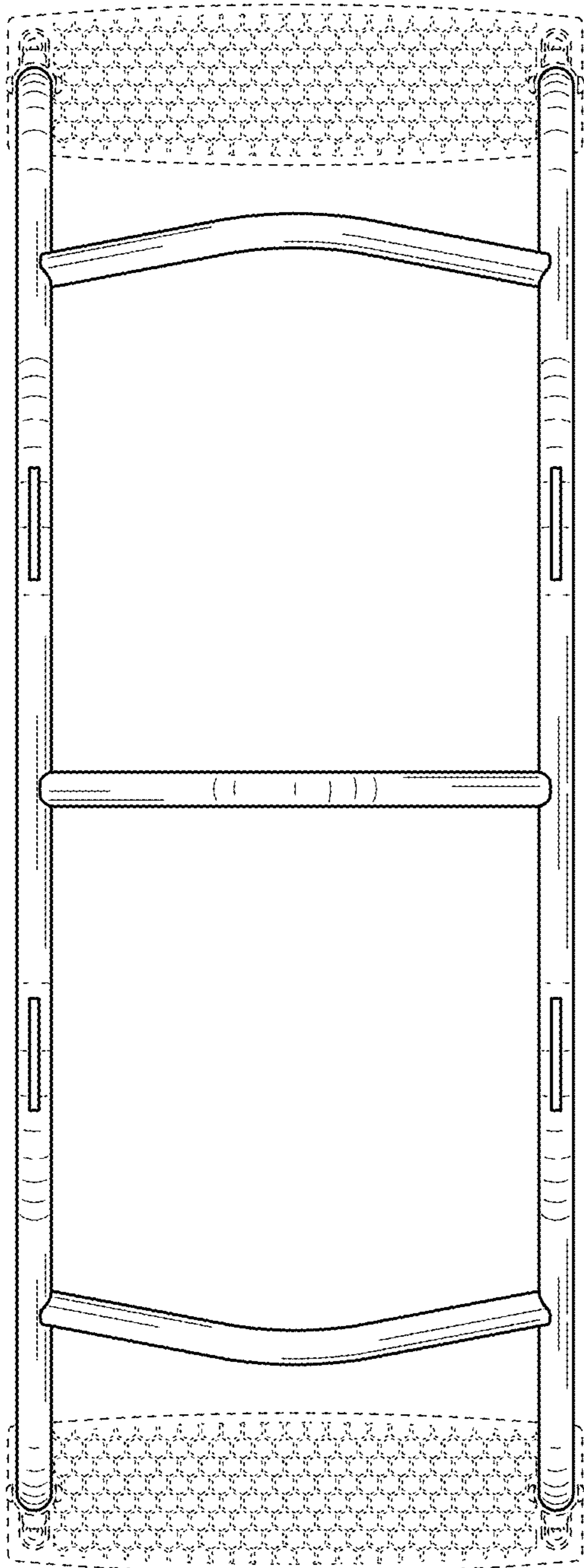


FIG. 6

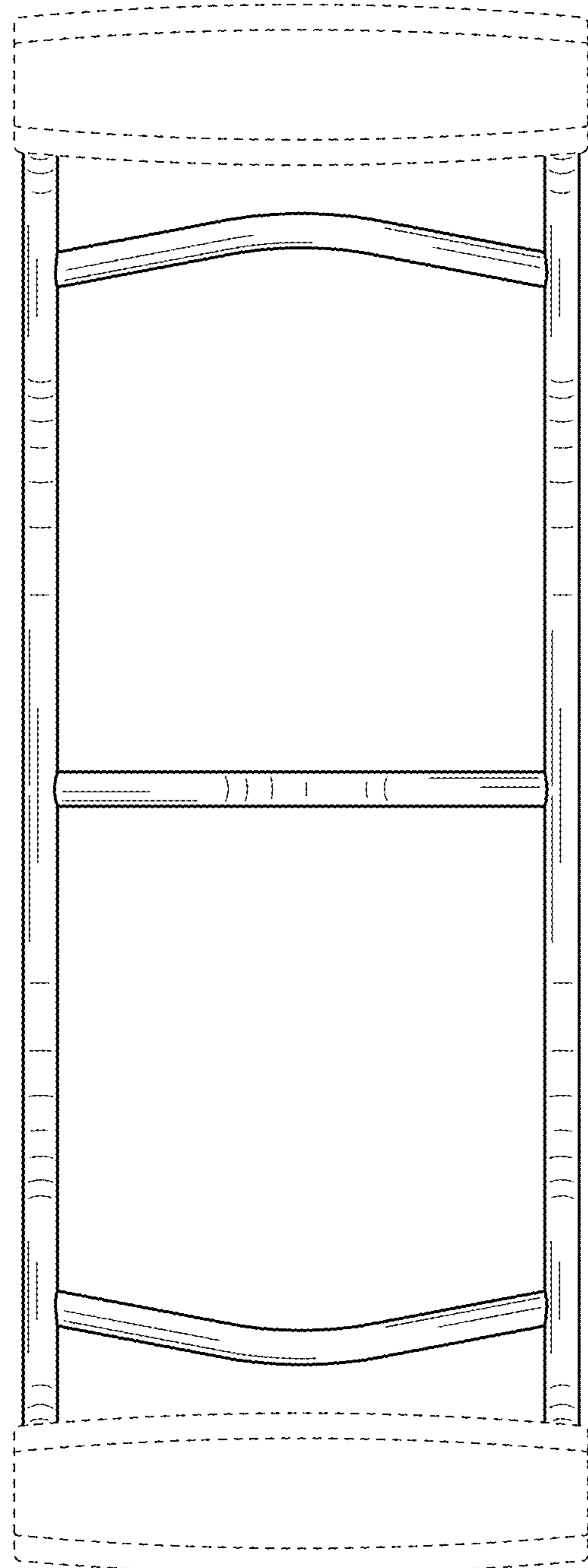


FIG. 7

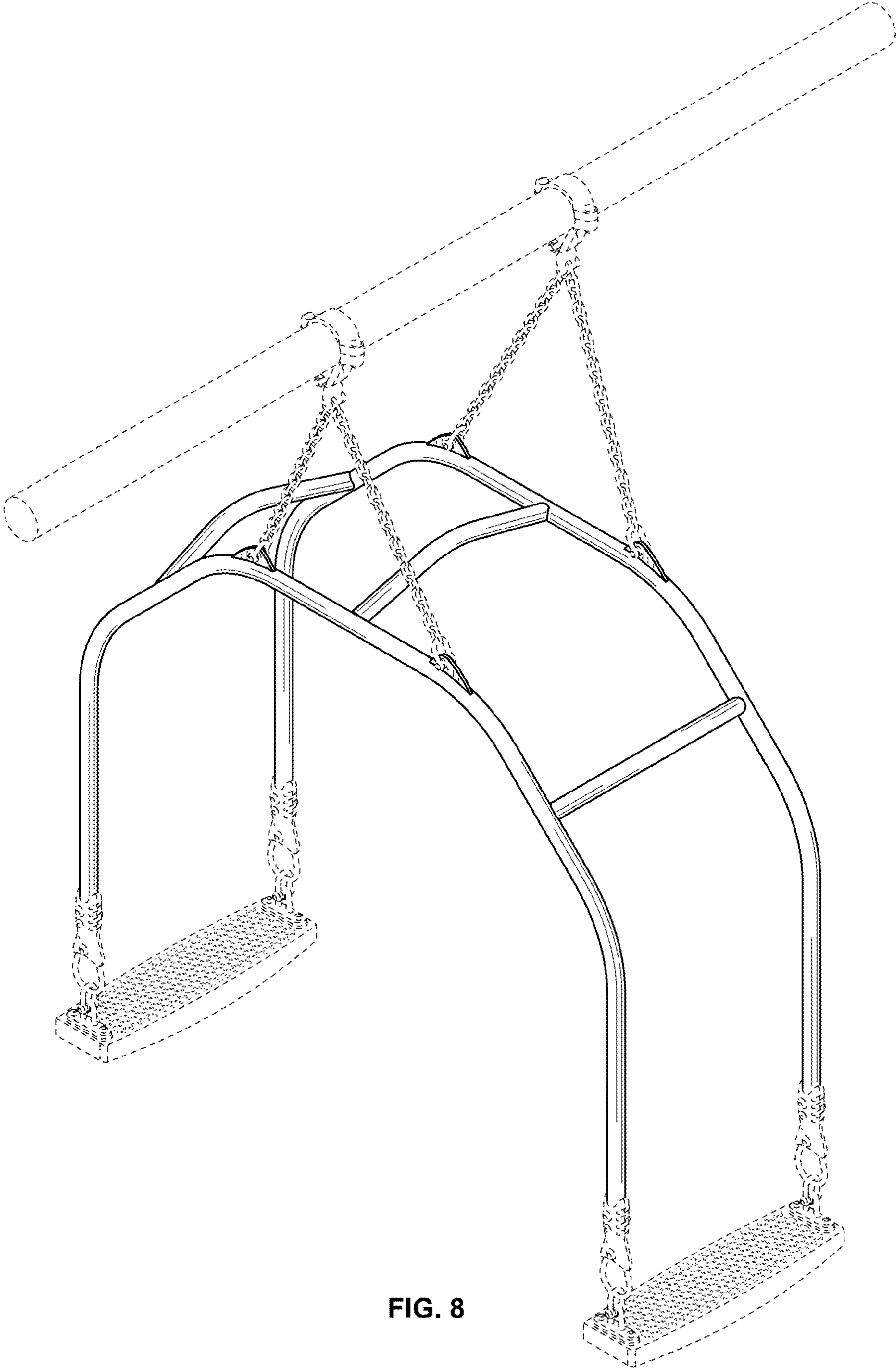


FIG. 8