



US00D919031S

(12) **United States Design Patent** (10) **Patent No.:** **US D919,031 S**
Peterson (45) **Date of Patent:** **** May 11, 2021**

(54) **INFLATABLE TOWABLE VEHICLE**

(71) Applicant: **SDS Asia Limited, BVI #1748971,**
Hong Kong (CN)

(72) Inventor: **Leroy L. Peterson,** Omaha, NE (US)

(73) Assignee: **SDS ASIA LIMITED, BVI # 1748971,**
Central Hong Kong (CN)

(**) Term: **15 Years**

(21) Appl. No.: **29/702,422**

(22) Filed: **Aug. 19, 2019**

(51) **LOC (13) Cl.** **21-02**

(52) **U.S. Cl.**
USPC **D21/803**

(58) **Field of Classification Search**
USPC D21/769, 770, 771, 801, 803, 804, 808,
D21/809, 810; 441/35, 40, 41, 65, 66,
441/67, 72, 73, 74, 80, 87, 88, 129, 130,
441/131, 132, 136

CPC A63B 31/00
See application file for complete search history.

(56) **References Cited**

U.S. PATENT DOCUMENTS

D481,002 S * 10/2003 Sherman D12/317
6,814,639 B1 * 11/2004 Peterson F16K 15/205
441/41
D514,935 S * 2/2006 Sturk D9/449
D564,869 S * 3/2008 Peterson D8/382
D769,391 S * 10/2016 Wachter D21/803
D891,554 S * 7/2020 Rademacher D21/803

OTHER PUBLICATIONS

“WOW World of Watersports Cyclone Spinner” available Oct. 28,
2019, [online], [site visited Sep. 21, 2020]. Retrieved from Internet,

URL:<https://www.amazon.com/WOW-Watersports-Cyclone-Spinner-20-1070/dp/B07ZPJZ35G> (Year: 2019).*

* cited by examiner

Primary Examiner — Michael C Stout
Assistant Examiner — Katrina A Gonzalez

(74) *Attorney, Agent, or Firm* — Suiter Swantz pc llo

(57) **CLAIM**

The ornamental design for an inflatable towable vehicle, as shown and described.

DESCRIPTION

This application is related to U.S. patent application Ser. No. 29/702,416 filed on Aug. 19, 2019, titled Spinner System, which is herein incorporated by reference in its entirety.

FIG. 1 is a bottom perspective view showing our new design;

FIG. 2 is a bottom plan view thereof;

FIG. 3 is a top plan view thereof;

FIG. 4 is a rear elevation view thereof;

FIG. 5 is a front elevation view thereof;

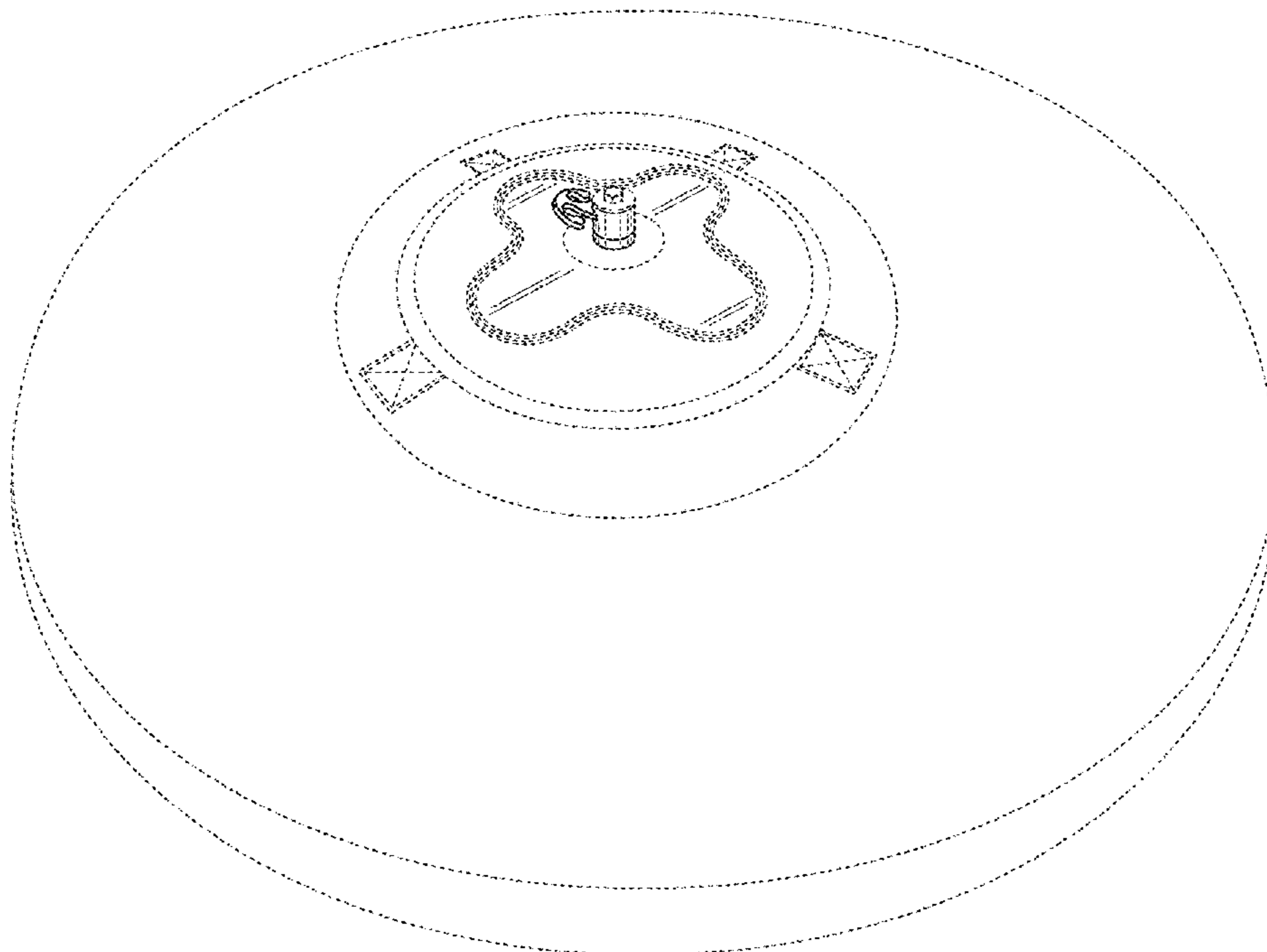
FIG. 6 is a right elevation view thereof; and,

FIG. 7 is a left elevation view thereof.

The broken lines illustrate portions of the inflatable towable vehicle that form no part of the claimed design.

The inflatable towable vehicle is shown with a symbolic break in its length, as illustrated with the dash-dot broken lines in FIGS. 4 through 7. The appearance of any portion of the article between the dash-dot broken lines forms no part of the claimed design.

1 Claim, 7 Drawing Sheets



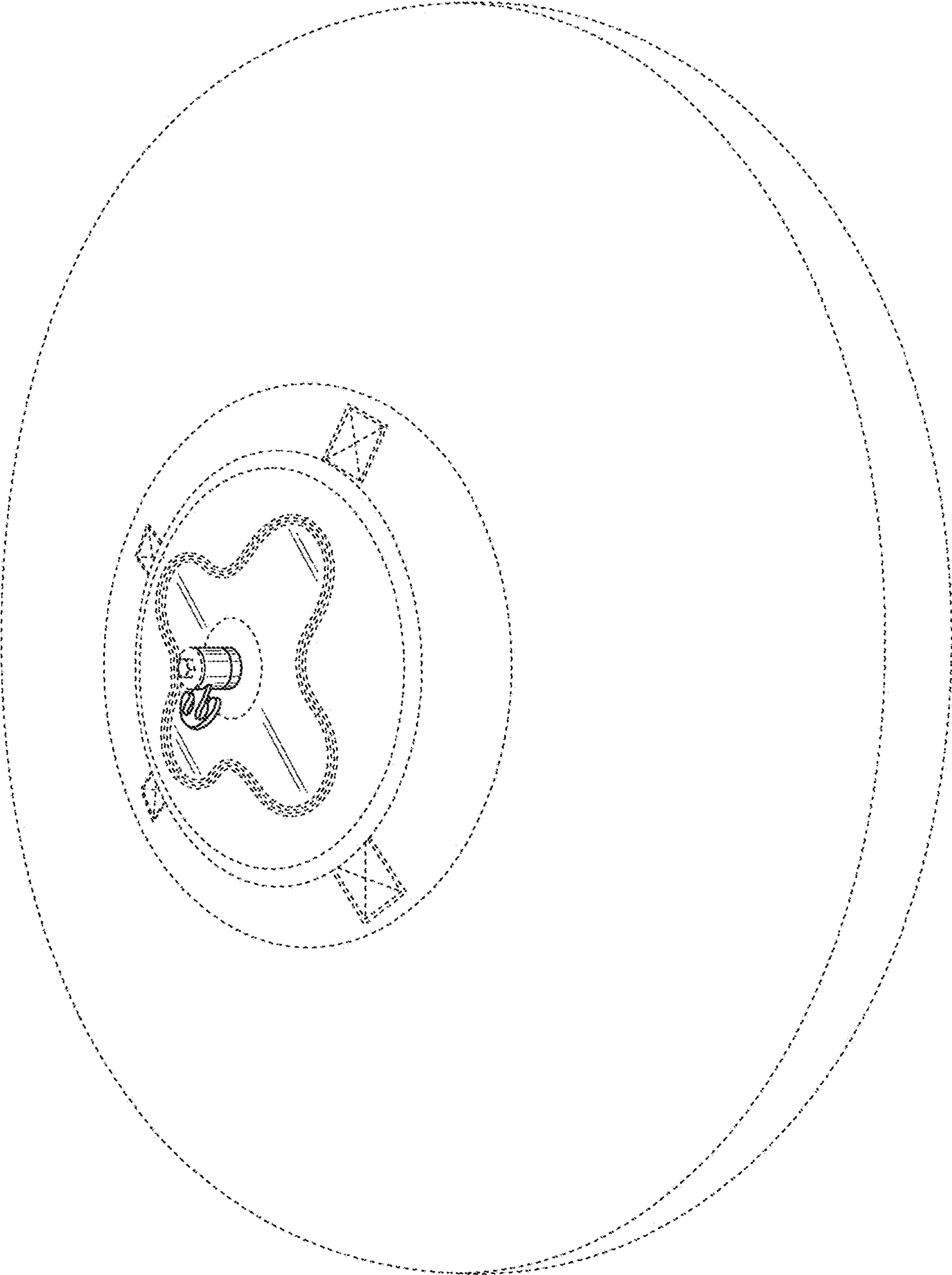


FIG. 1

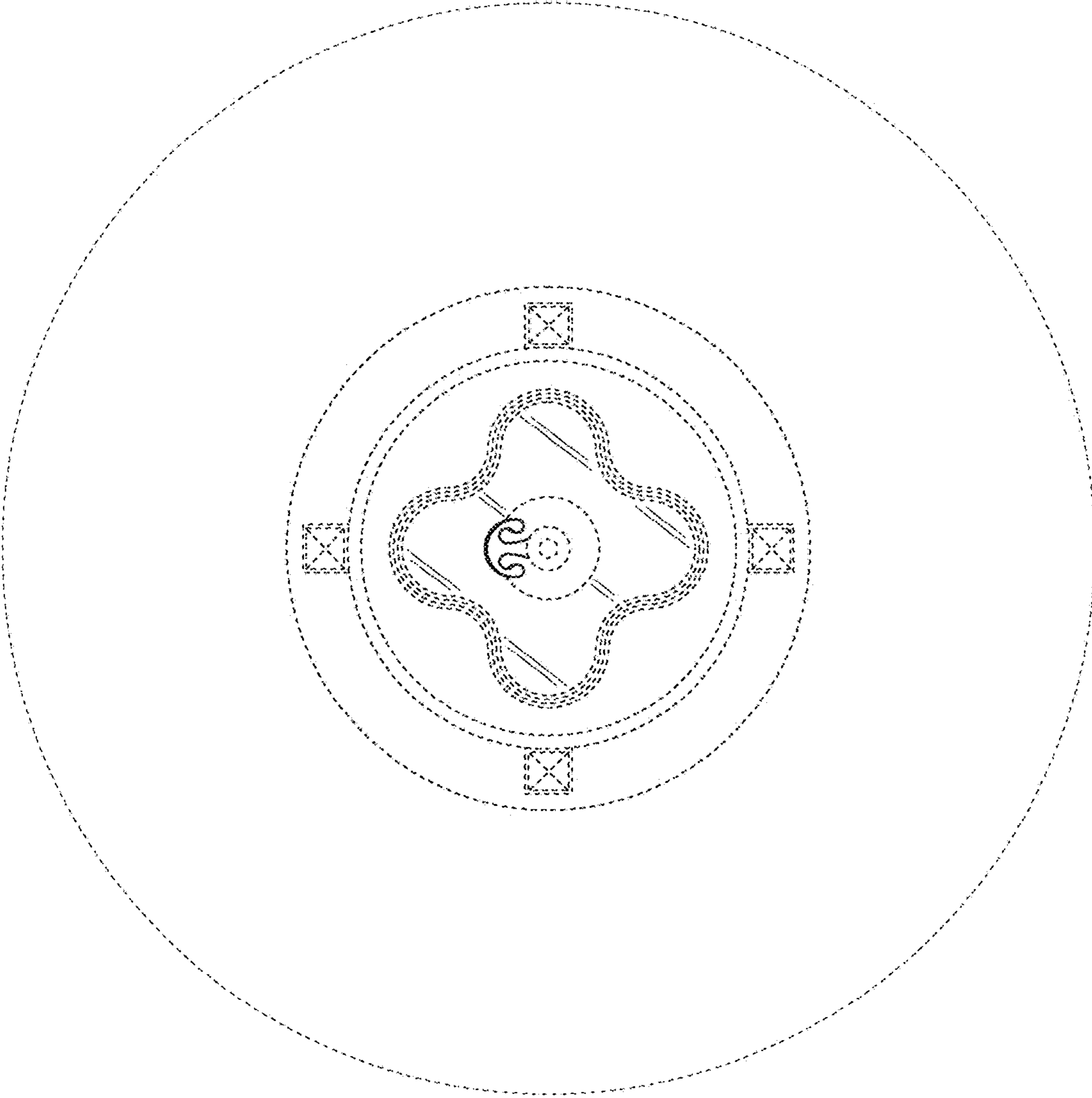


FIG.2

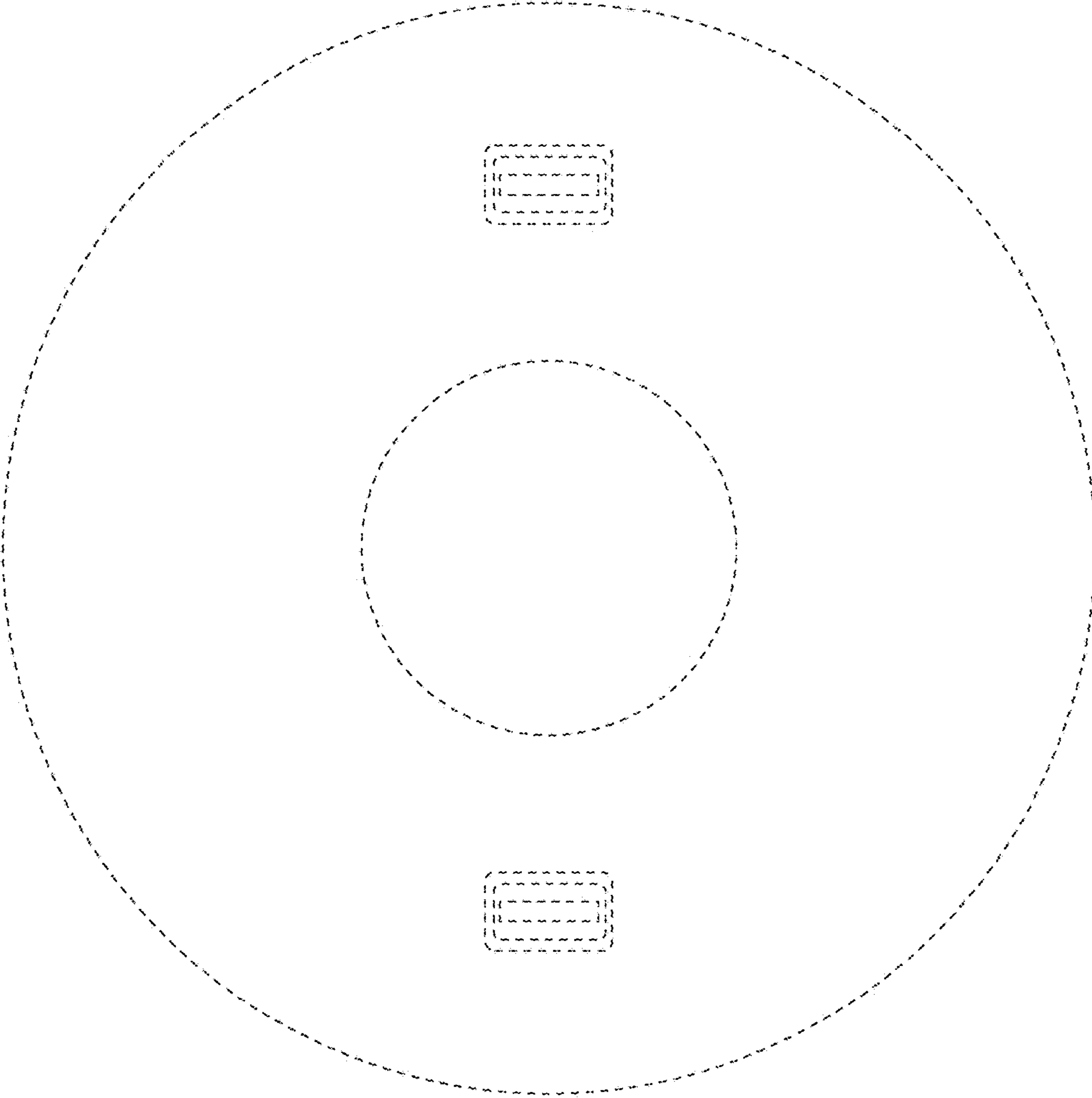


FIG. 3

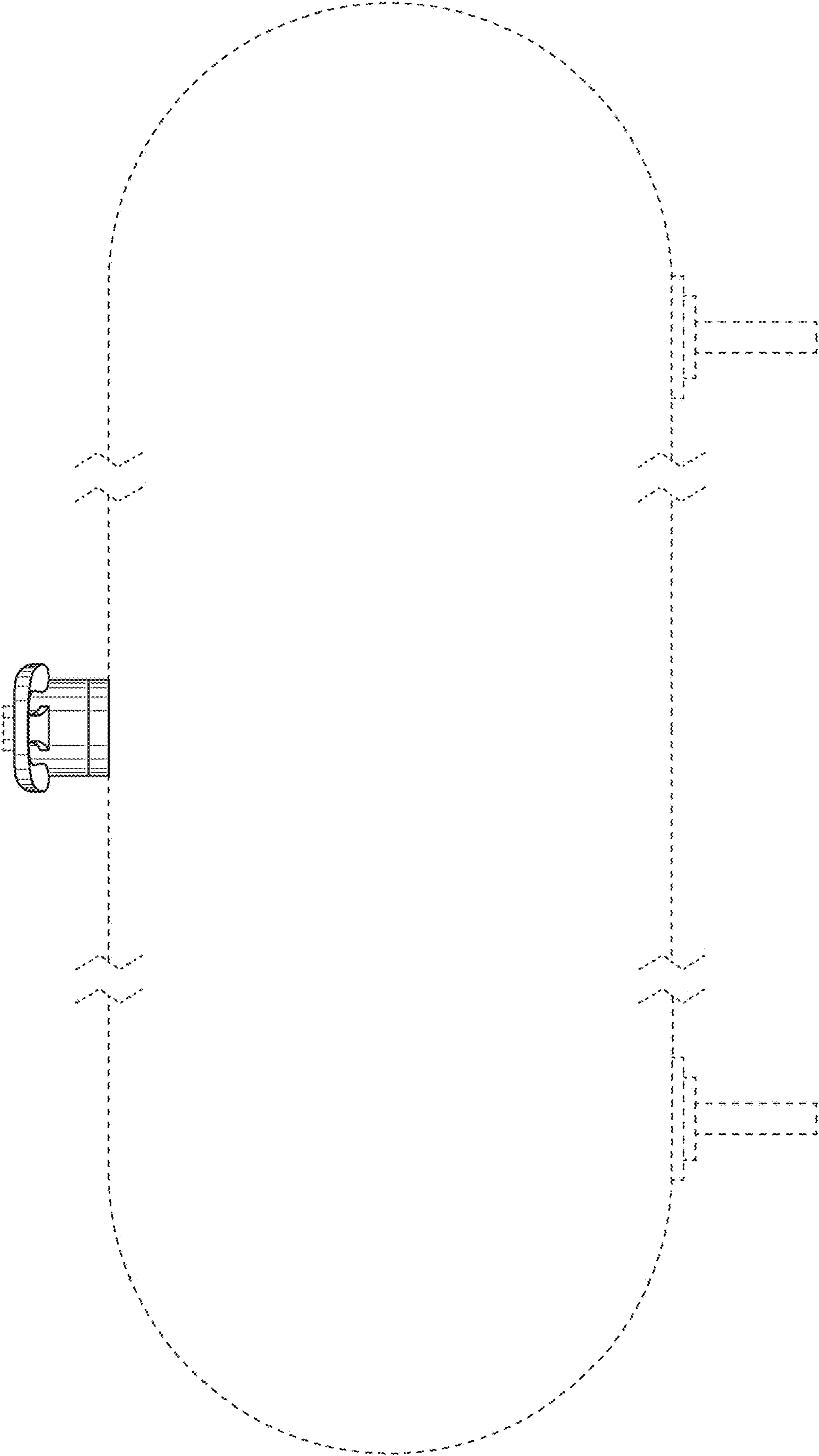


FIG.4

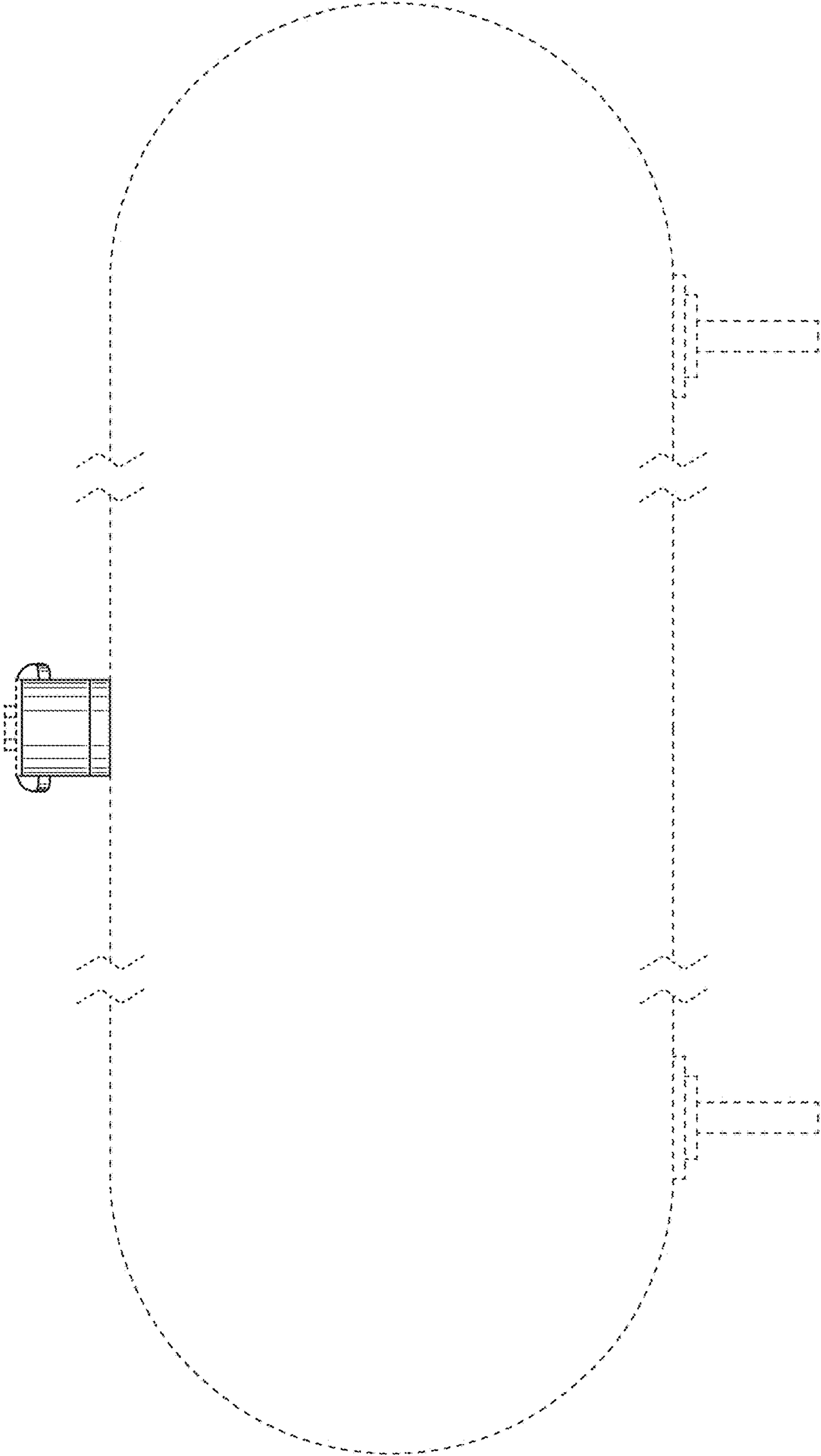


FIG. 5

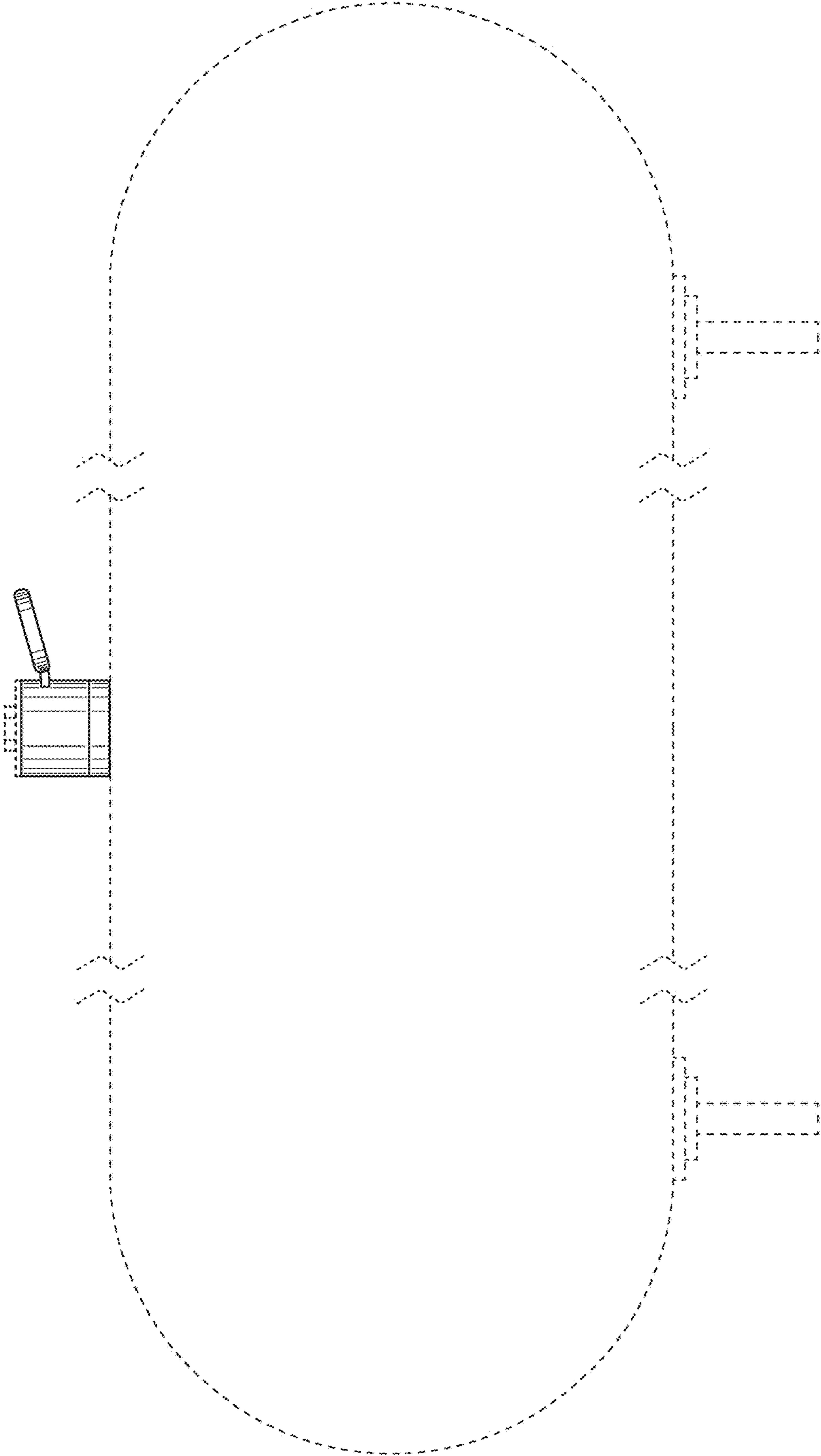


FIG.6

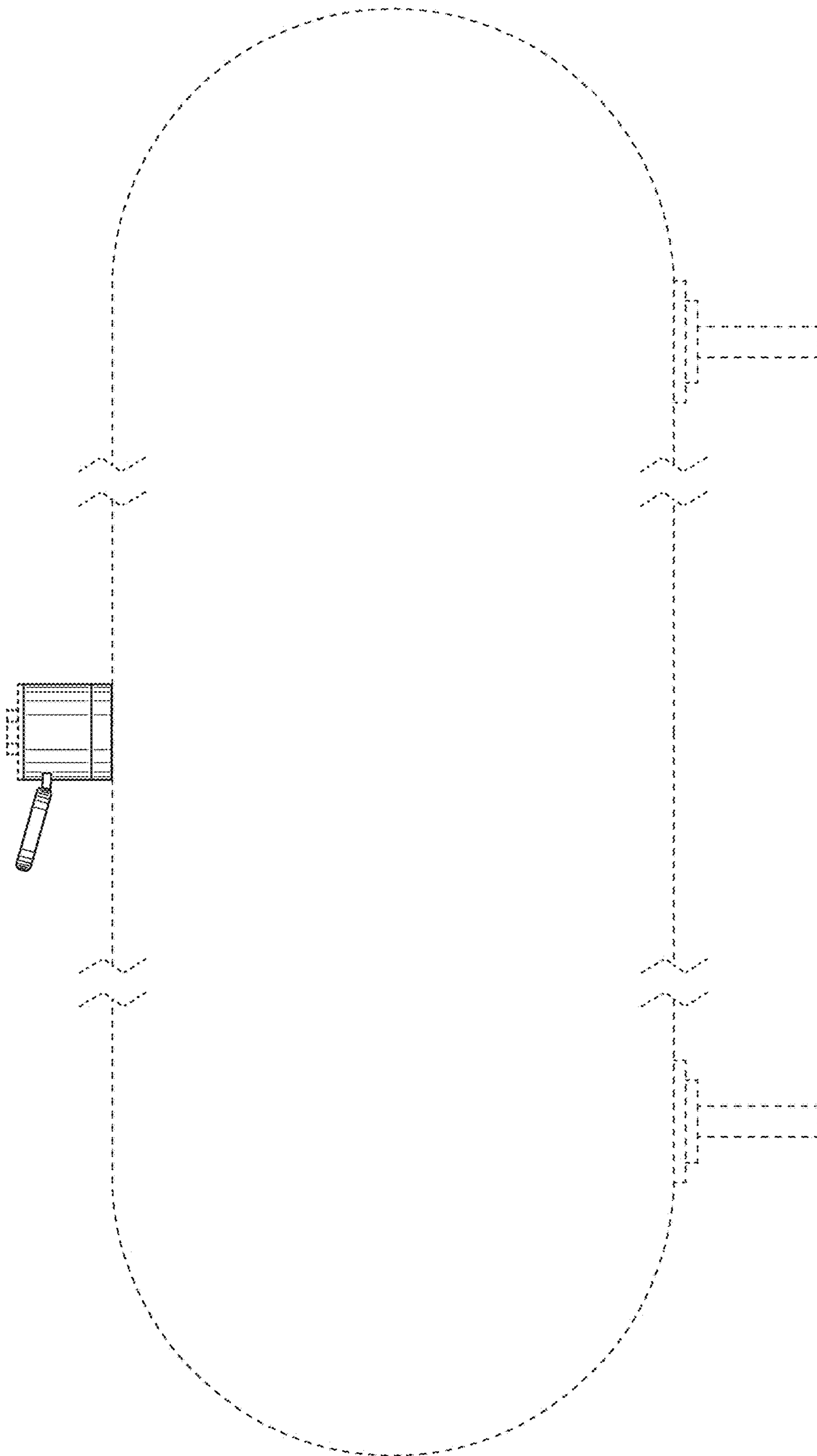


FIG. 7