



US00D919027S

(12) **United States Design Patent** (10) **Patent No.:** **US D919,027 S**
Ye (45) **Date of Patent:** **** May 11, 2021**

(54) **TRAMPOLINE**

(71) Applicant: **Shenzhen Anita Electronic Commerce Co., Ltd.**, Guangdong (CN)

(72) Inventor: **Cuini Ye**, Guangdong (CN)

(73) Assignee: **Shenzhen Anita Electronic Commerce Co., Ltd.**, Guangdong (CN)

(**) Term: **15 Years**

(21) Appl. No.: **29/749,194**

(22) Filed: **Sep. 3, 2020**

(51) **LOC (13) Cl.** **21-02**

(52) **U.S. Cl.**
 USPC **D21/797**

(58) **Field of Classification Search**
 USPC D6/331; D30/112; D25/3; D21/798,
 D21/797; 482/35, 29, 28, 27
 CPC A63B 5/11; A63B 21/023; A63B 71/022;
 A63B 2210/50; A63B 2208/12; A63B
 2071/009

See application file for complete search history.

(56) **References Cited**

U.S. PATENT DOCUMENTS

6,053,845	A *	4/2000	Publicover	A63B 71/023 482/35
6,607,468	B1 *	8/2003	Nichols, Jr.	A63B 5/11 482/27
7,758,471	B2 *	7/2010	Nelson	A63B 5/11 482/27
7,794,360	B2 *	9/2010	Publicover	A63B 71/022 482/27
D777,865	S	1/2017	de Boer		
D843,537	S	3/2019	Chen		
10,758,763	B1 *	9/2020	Chen	A63G 31/00
D910,136	S *	2/2021	Ye	D21/797
2002/0137598	A1 *	9/2002	Publicover	A63B 5/11 482/27

2004/0121883	A1 *	6/2004	Publicover	A63B 5/11 482/29
2006/0270525	A1 *	11/2006	Colling	A63B 5/11 482/27
2008/0314427	A1 *	12/2008	Lai	A63H 33/008 135/96
2013/0109539	A1 *	5/2013	Chen	A63H 27/10 482/27
2017/0173437	A1 *	6/2017	Chen	A63B 5/11
2017/0319938	A1 *	11/2017	Chen	A63B 71/022
2017/0340939	A1 *	11/2017	Chen	A63H 37/00
2018/0036569	A1 *	2/2018	Chen	A63B 71/022
2018/0036570	A1 *	2/2018	Chen	A63B 71/022

* cited by examiner

Primary Examiner — Ryan Harvey
 (74) *Attorney, Agent, or Firm* — ScienBiziP, P.C.

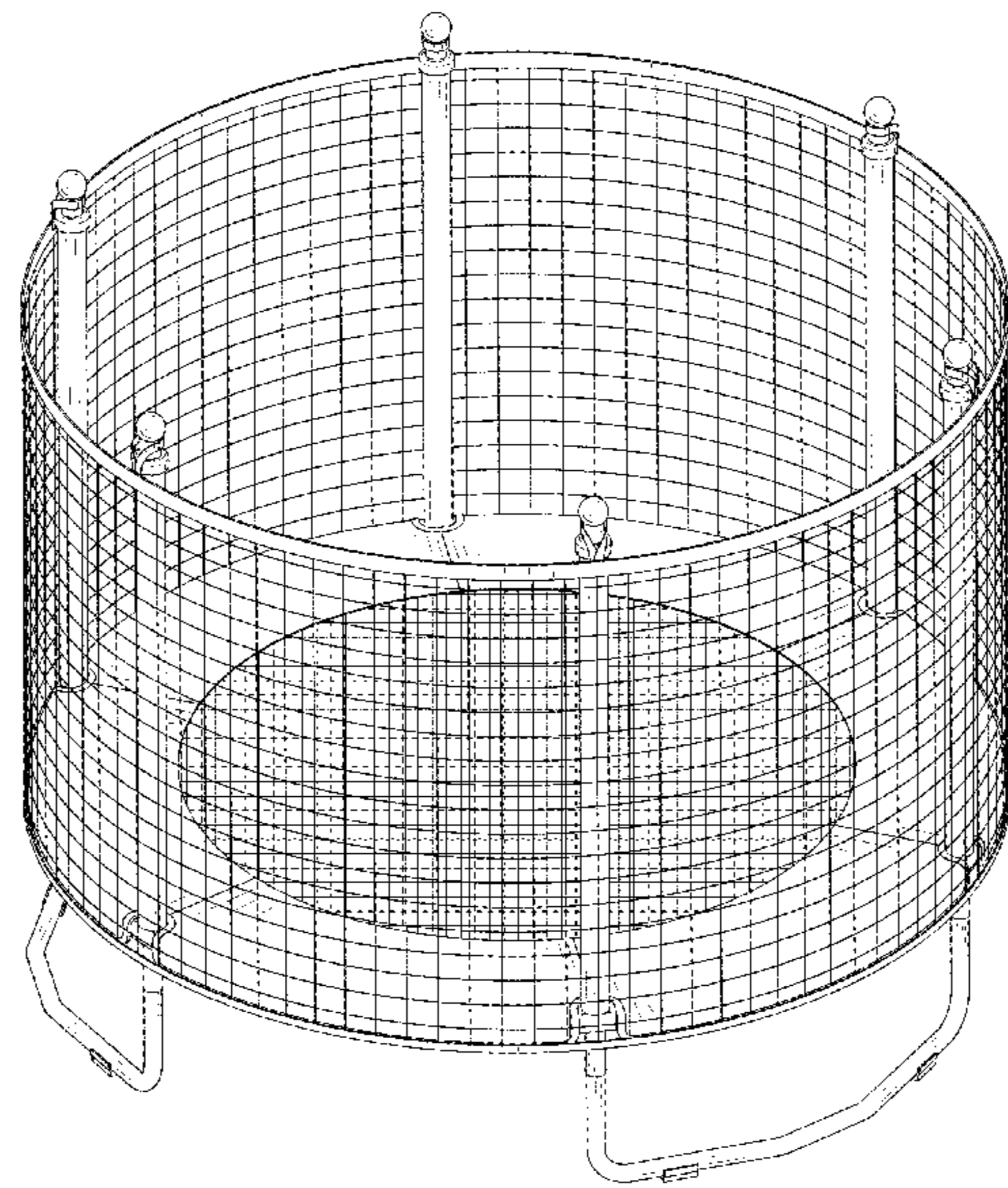
(57) **CLAIM**

The ornamental design for a trampoline, as shown and described.

DESCRIPTION

FIG. 1 is a top perspective view of a trampoline, showing my design.
 FIG. 2 is a bottom perspective view thereof.
 FIG. 3 is a front elevation view thereof.
 FIG. 4 is a rear elevation view thereof.
 FIG. 5 is a left side elevation view thereof.
 FIG. 6 is a right side elevation view thereof.
 FIG. 7 is a top plan view thereof.
 FIG. 8 is a bottom plan view thereof.
 FIG. 9 is an enlarged view of an area labeled 9 in FIG. 2; and,
 FIG. 10 is an enlarged view of an area labeled 10 in FIG. 8.
 The broken lines in the drawings depict environmental structure and boundaries and form no part of the claimed design.

1 Claim, 10 Drawing Sheets



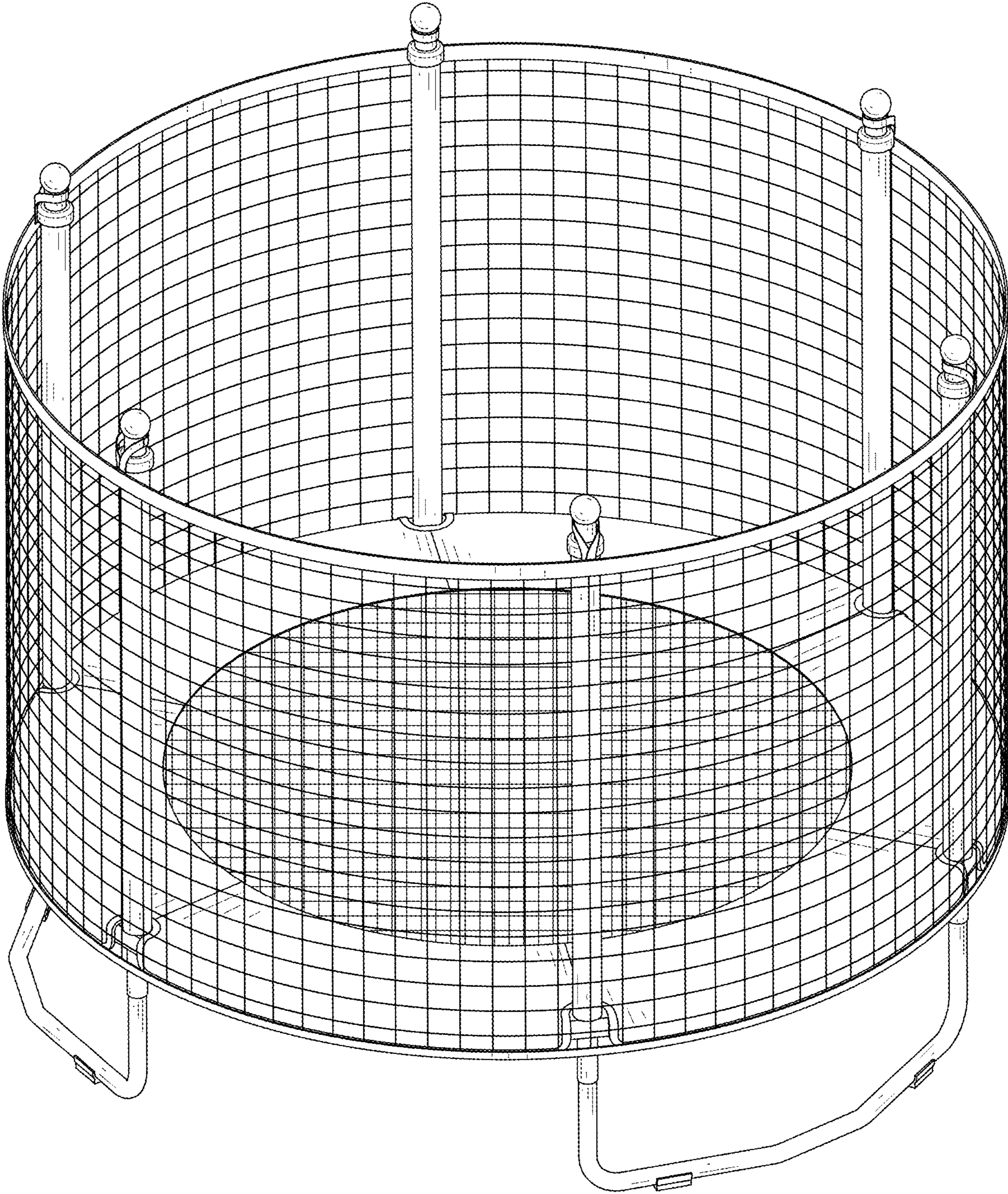


FIG. 1

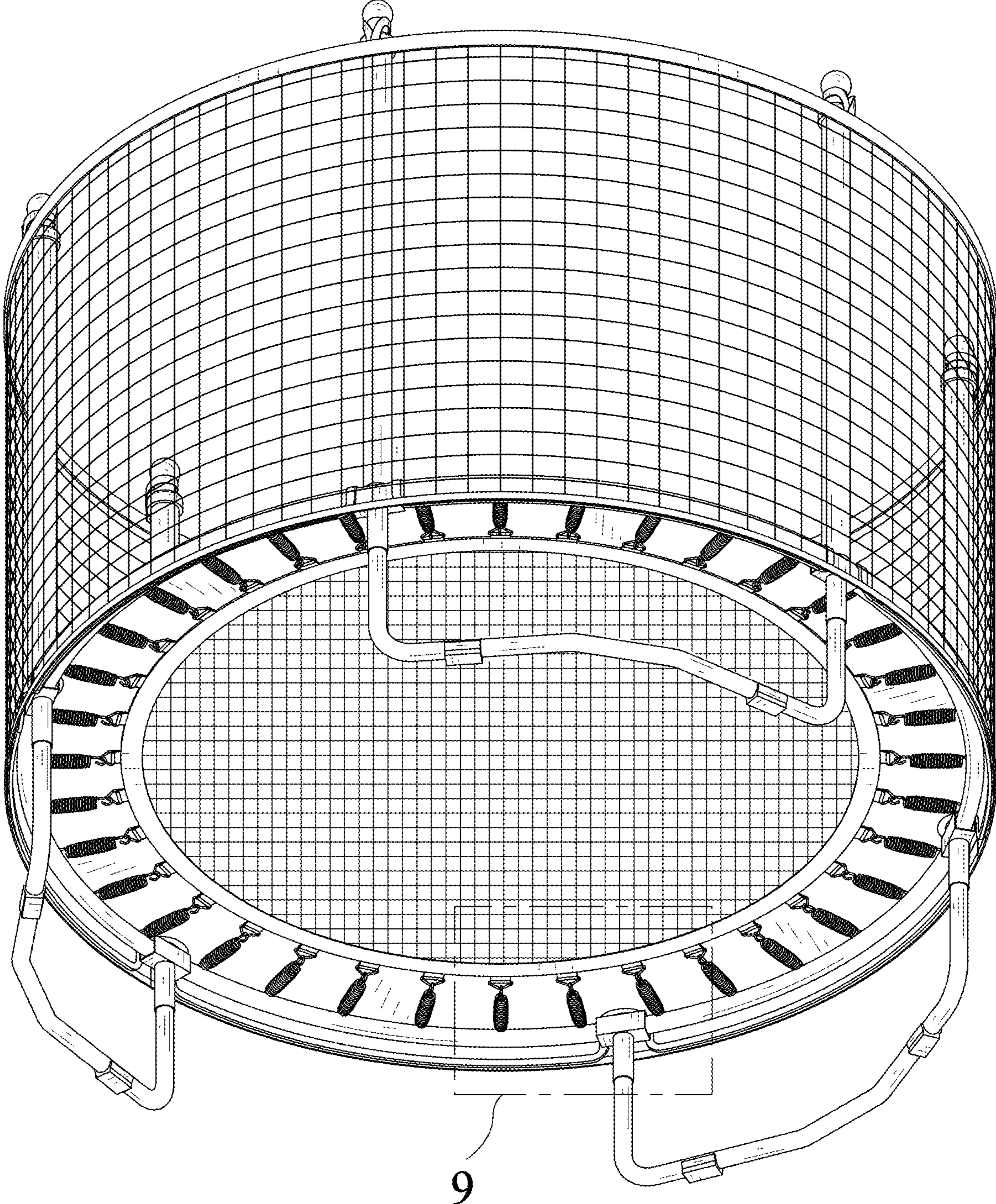


FIG. 2

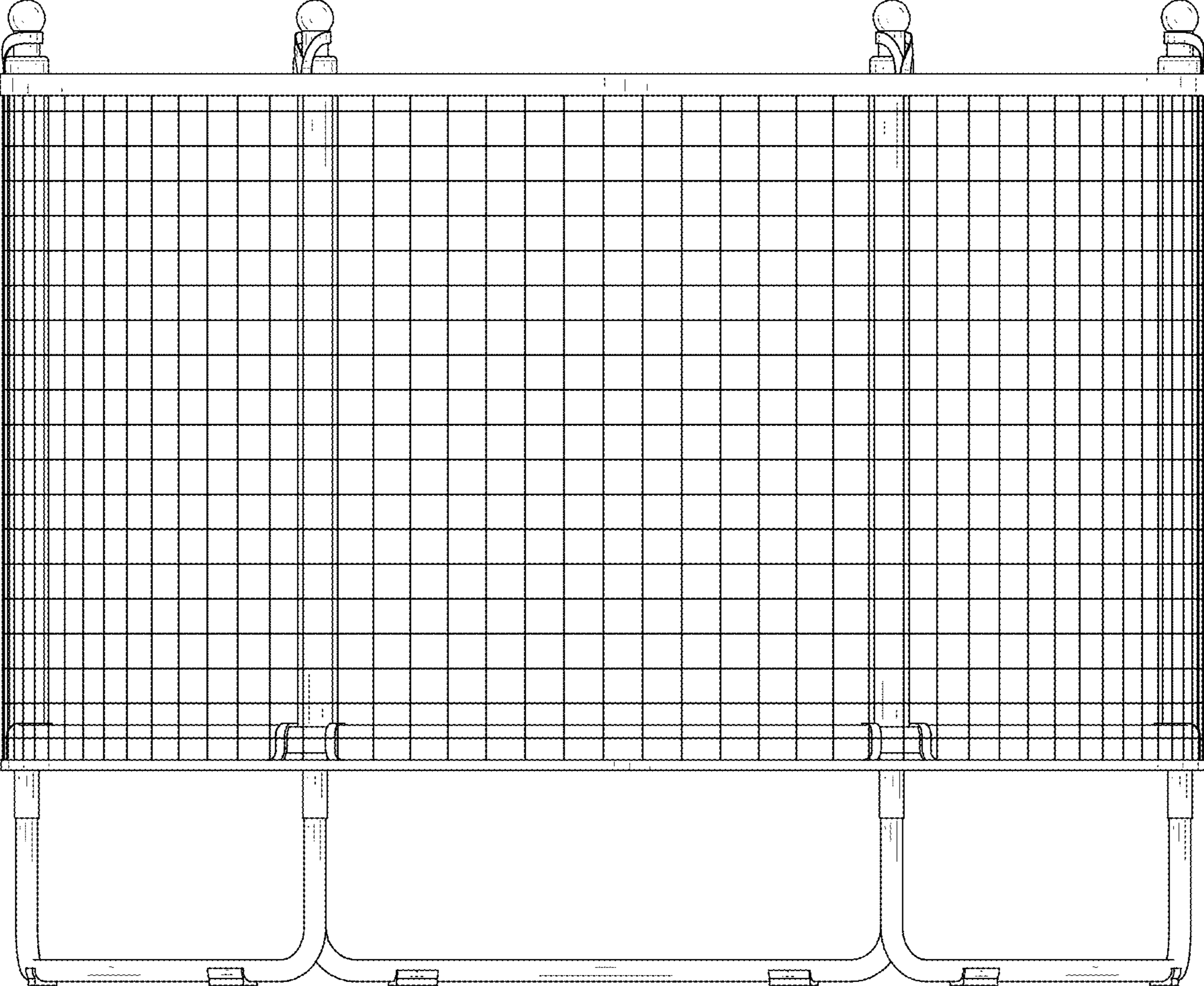


FIG. 3

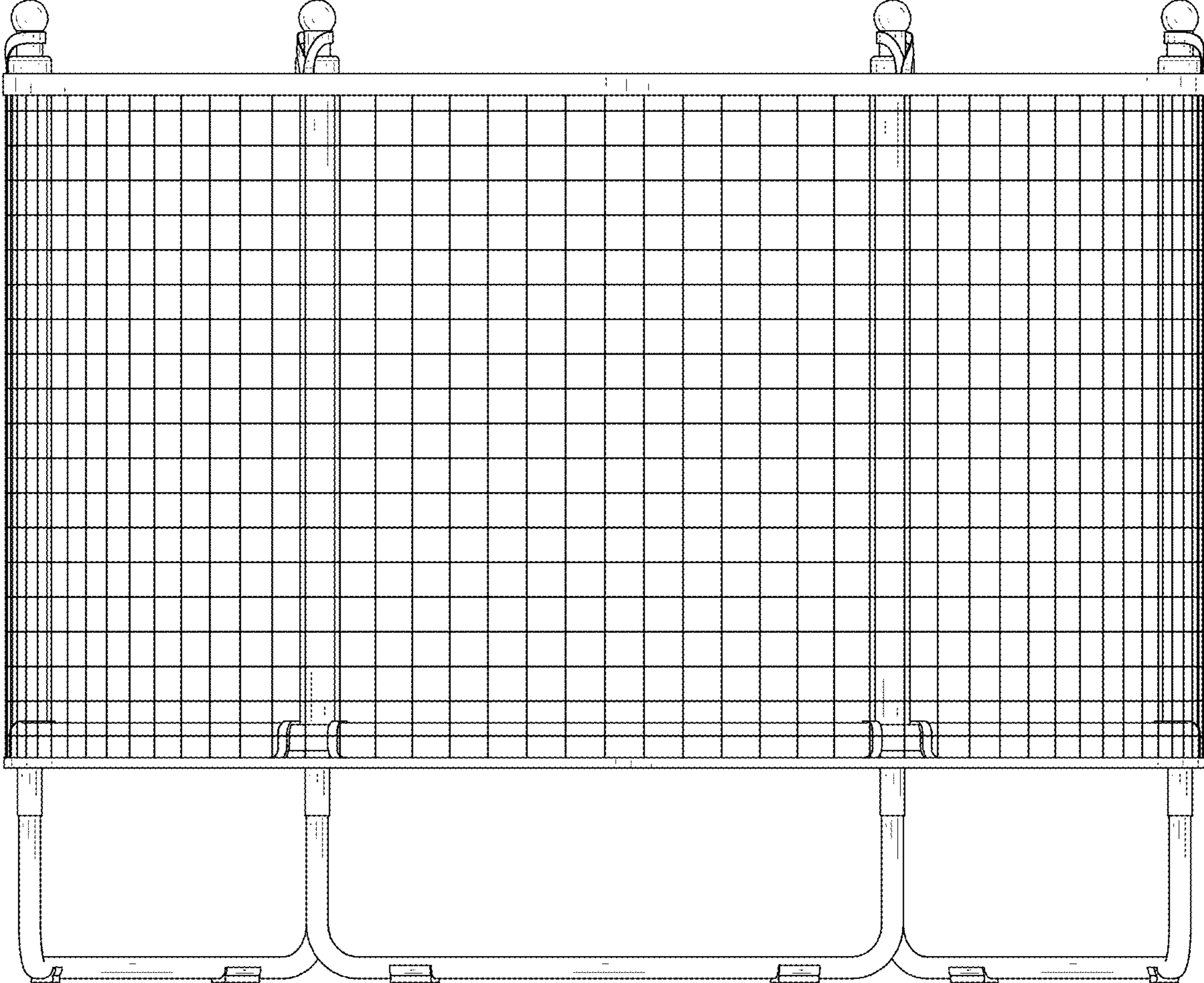


FIG. 4

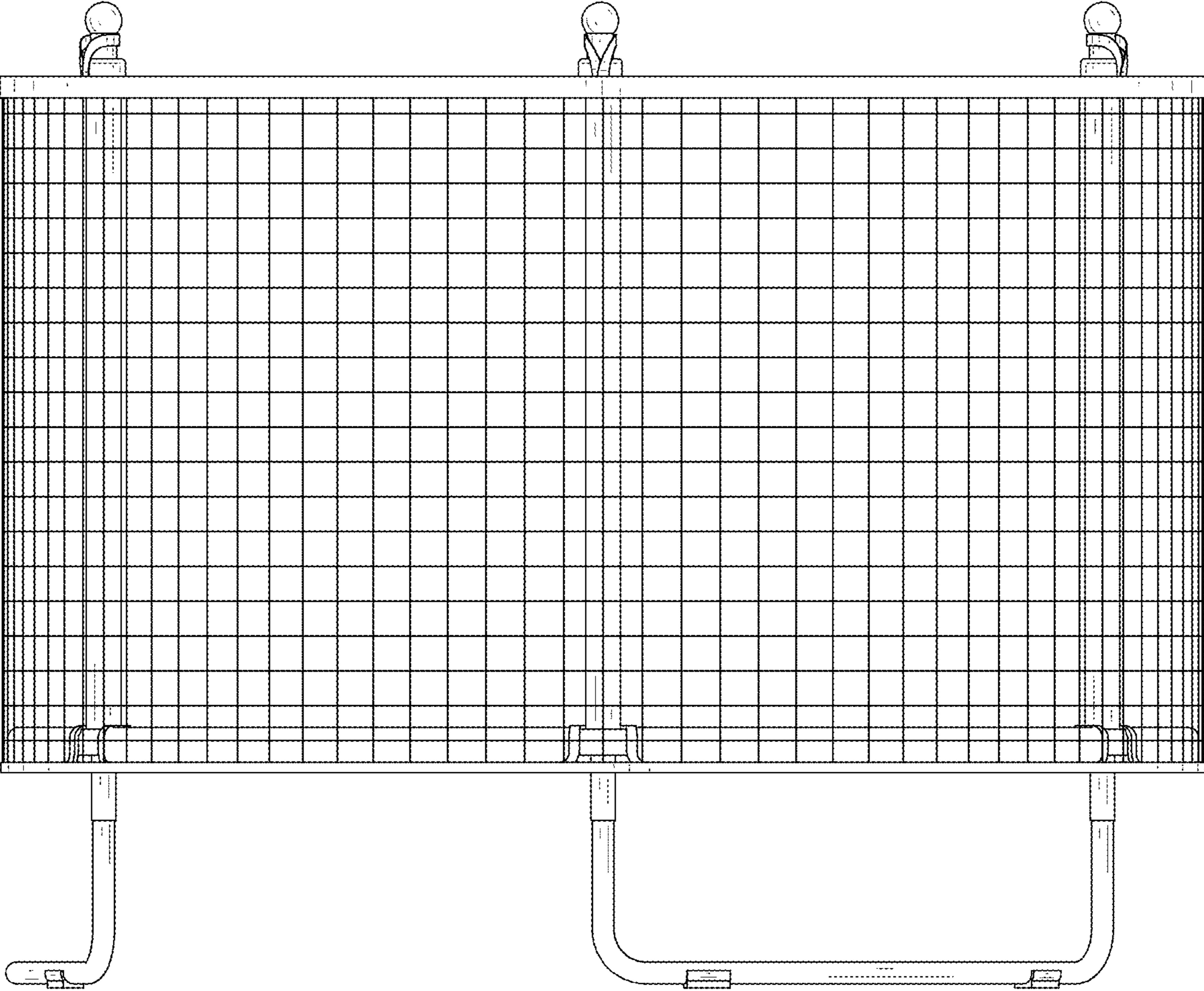


FIG. 5

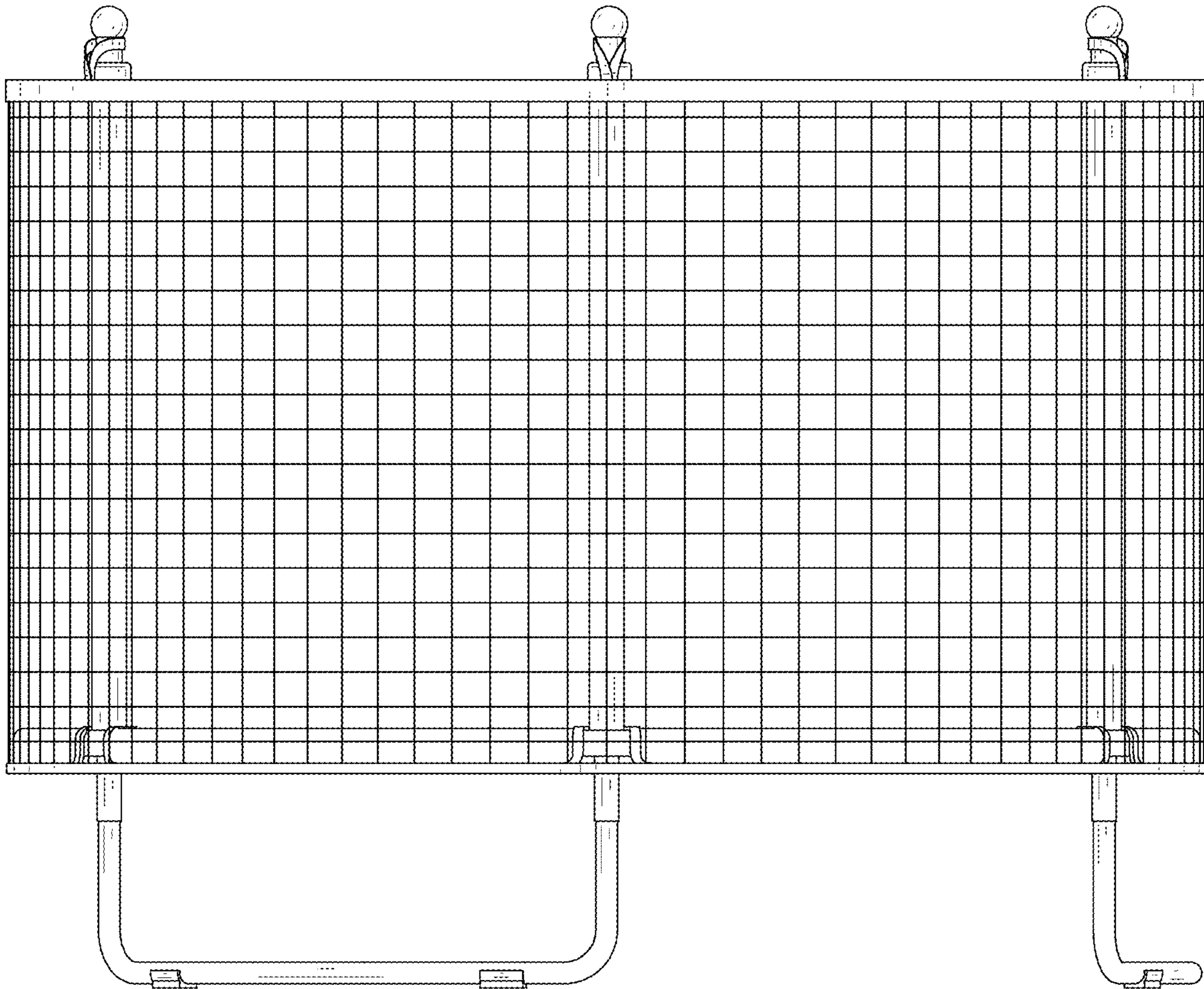


FIG. 6

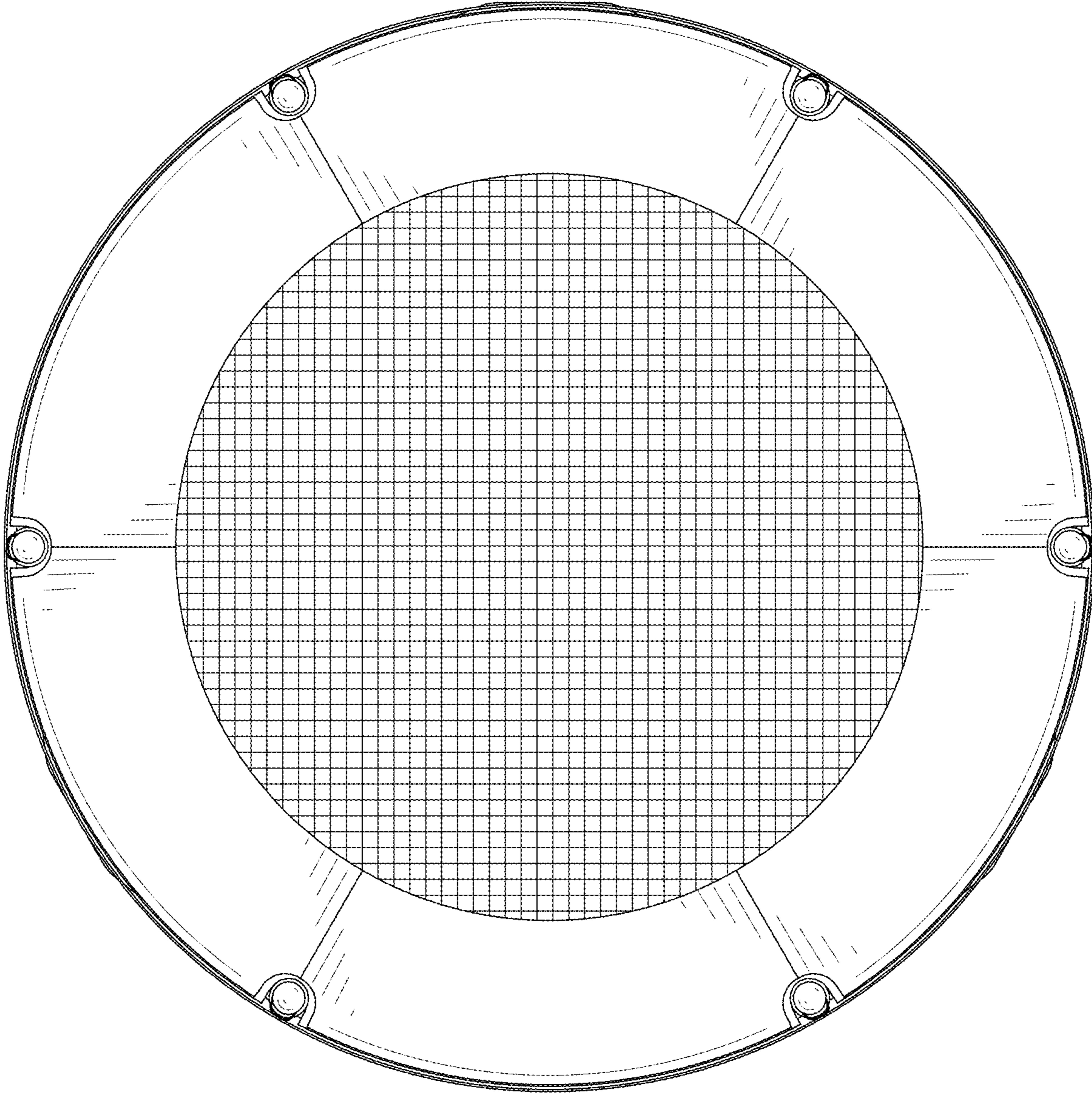


FIG. 7

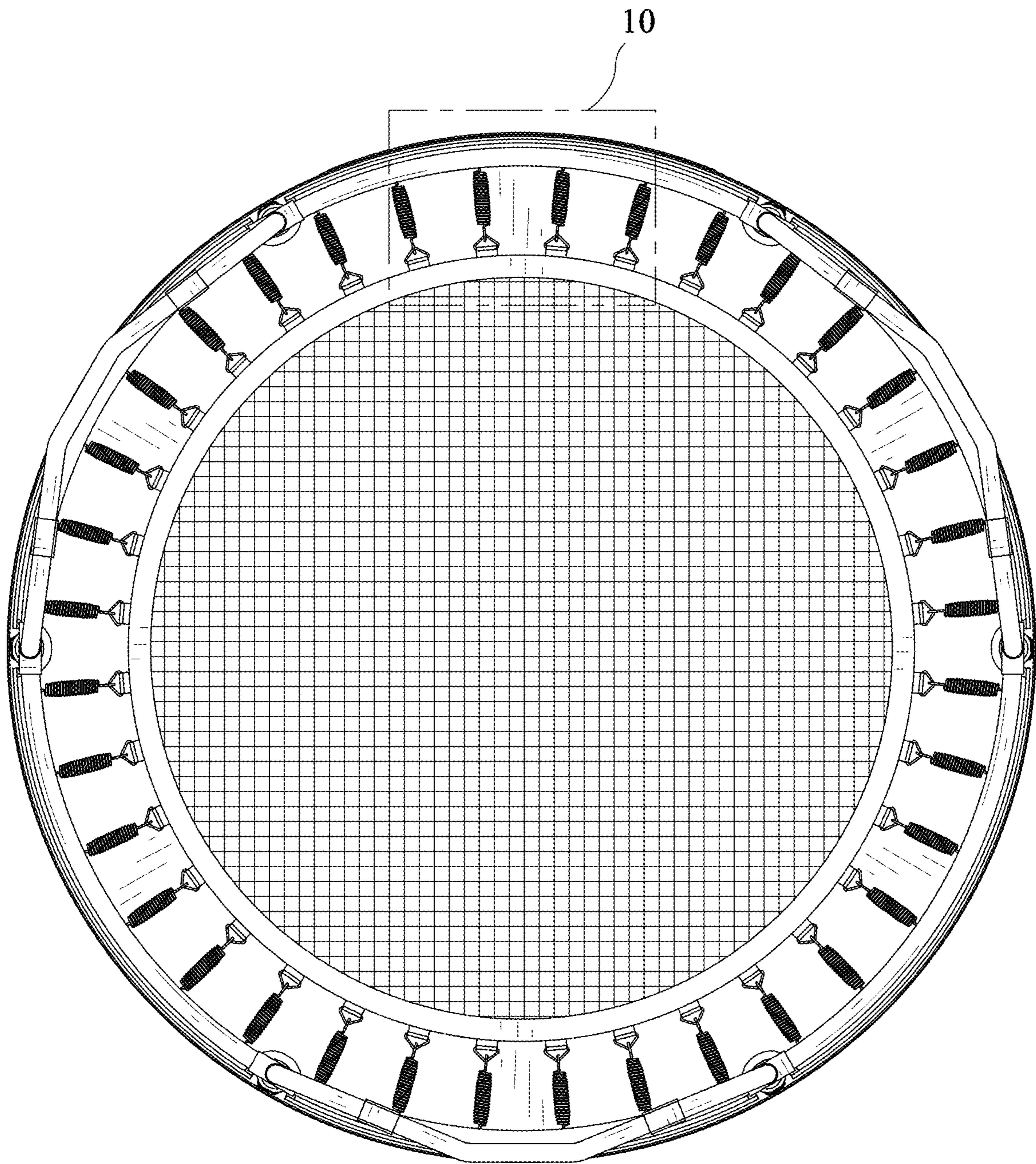


FIG. 8

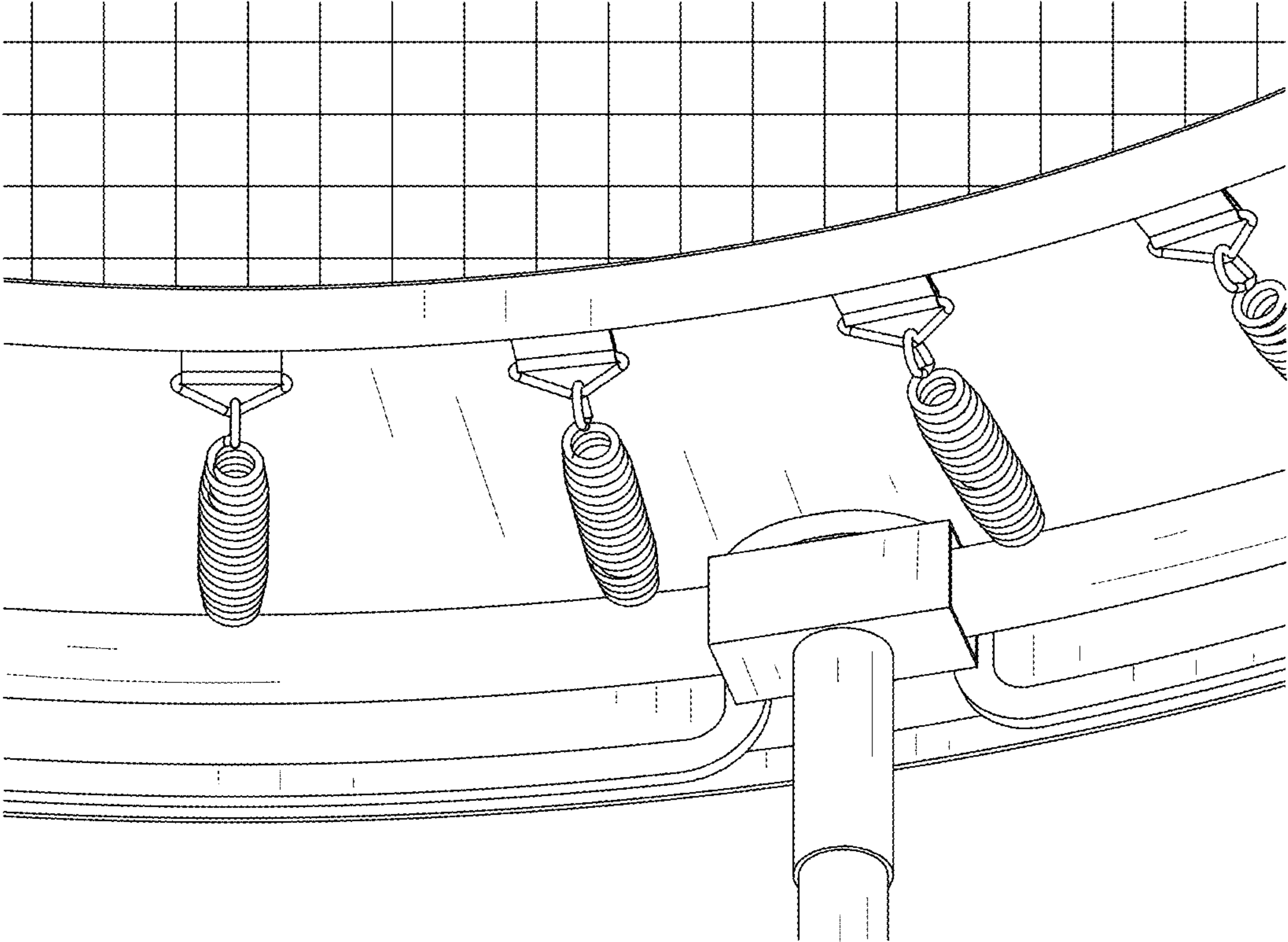


FIG. 9

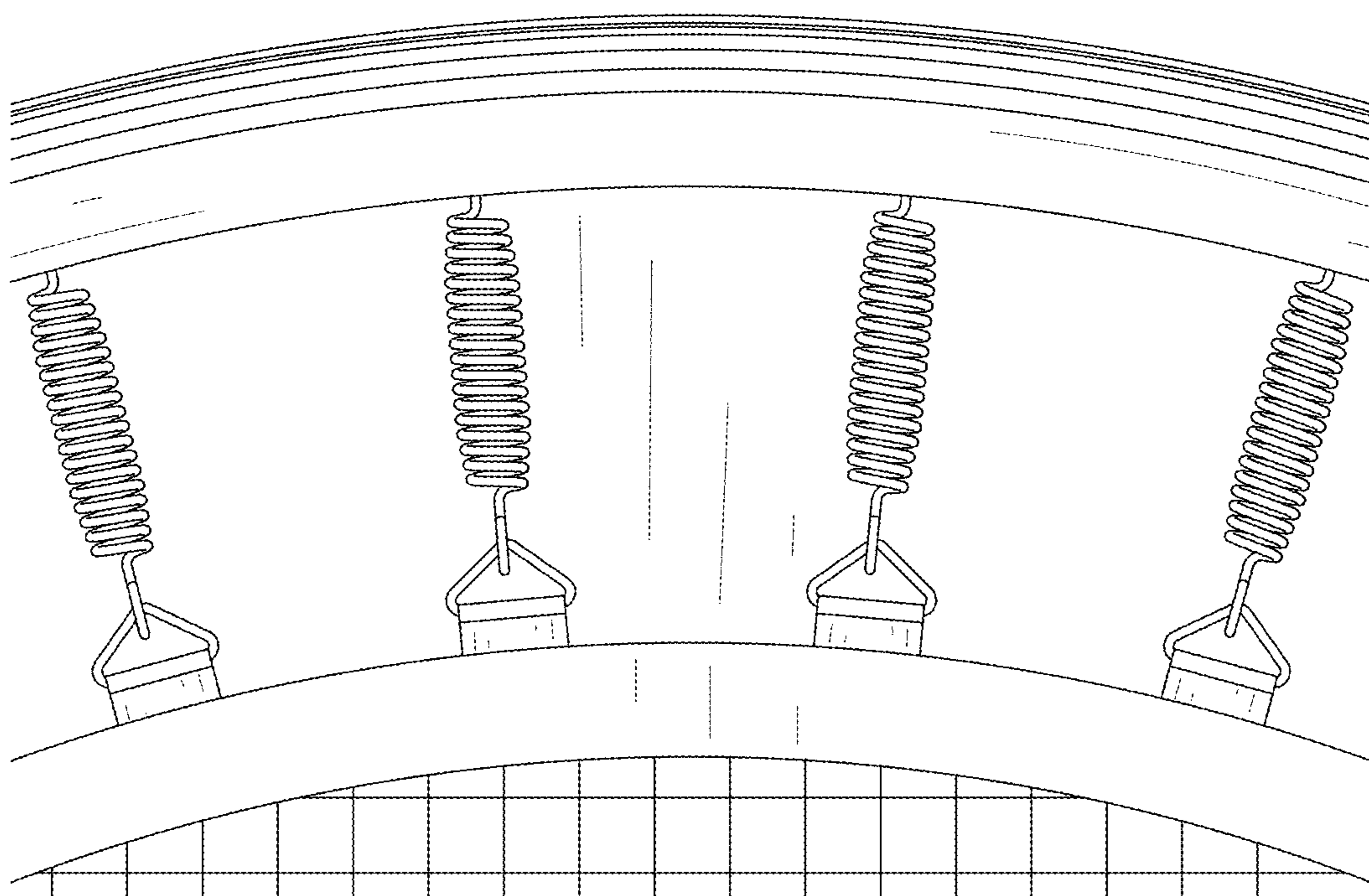


FIG. 10