



US00D919026S

(12) **United States Design Patent** (10) **Patent No.:** **US D919,026 S**
Kumar et al. (45) **Date of Patent:** **** May 11, 2021**

(54) **SKATEBOARD CHASSIS SYSTEM WITH BATTERY FOR A THREE-WHEELER ELECTRIC VEHICLE**

D844,070 S * 3/2019 Christensen D21/562
10,576,359 B2 * 3/2020 Chiu A63C 17/12
D887,310 S * 6/2020 McGinley D12/117
2004/0200651 A1 * 10/2004 West A63C 17/013
180/181
2011/0079976 A1 * 4/2011 Seip A63C 17/0046
280/87.042

(71) Applicants: **Saurav Kumar**, New Delhi (IN); **Atul Verma**, New Delhi (IN); **Kundan Kumar**, Jharkhand (IN); **Aditya Baburajan**, Maharashtra (IN)

(Continued)

(72) Inventors: **Saurav Kumar**, New Delhi (IN); **Atul Verma**, New Delhi (IN); **Kundan Kumar**, Jharkhand (IN); **Aditya Baburajan**, Maharashtra (IN)

FOREIGN PATENT DOCUMENTS

CA 2717163 10/2010
CN 102958789 B 2/2010

(Continued)

(**) Term: **15 Years**

OTHER PUBLICATIONS

(21) Appl. No.: **29/734,940**

U.S. Appl. No. 14/131,405, filed Jun. 29, 2012, David Andrew Gale.

(22) Filed: **May 16, 2020**

(Continued)

(51) **LOC (13) Cl.** **21-02**

Primary Examiner — Cynthia M. Chin

(52) **U.S. Cl.**
USPC **D21/771**

(57) **CLAIM**

(58) **Field of Classification Search**
USPC D21/419, 421, 423, 426, 562, 760, 765,
D21/766, 769, 771, 776; D12/110–112,
D12/114, 117, 159; D15/33
CPC A63C 17/01; A63C 17/011; A63C 17/012;
A63C 17/014; A63C 17/015; A63C
17/02; A63C 17/26; A63C 5/003; B60Q
1/326; B62K 3/001

The ornamental design for a skateboard chassis system with battery for a three-wheeler electric vehicle, as shown and described.

DESCRIPTION

See application file for complete search history.

FIG. 1 is a perspective elevation view of a skateboard chassis system with battery for a three-wheeler electric vehicle showing our new design;
FIG. 2 is a front view thereof;
FIG. 3 is a back view thereof;
FIG. 4 is top view thereof;
FIG. 5 is bottom view thereof;
FIG. 6 is a right-side view thereof; and,
FIG. 7 is a left-side view thereof.

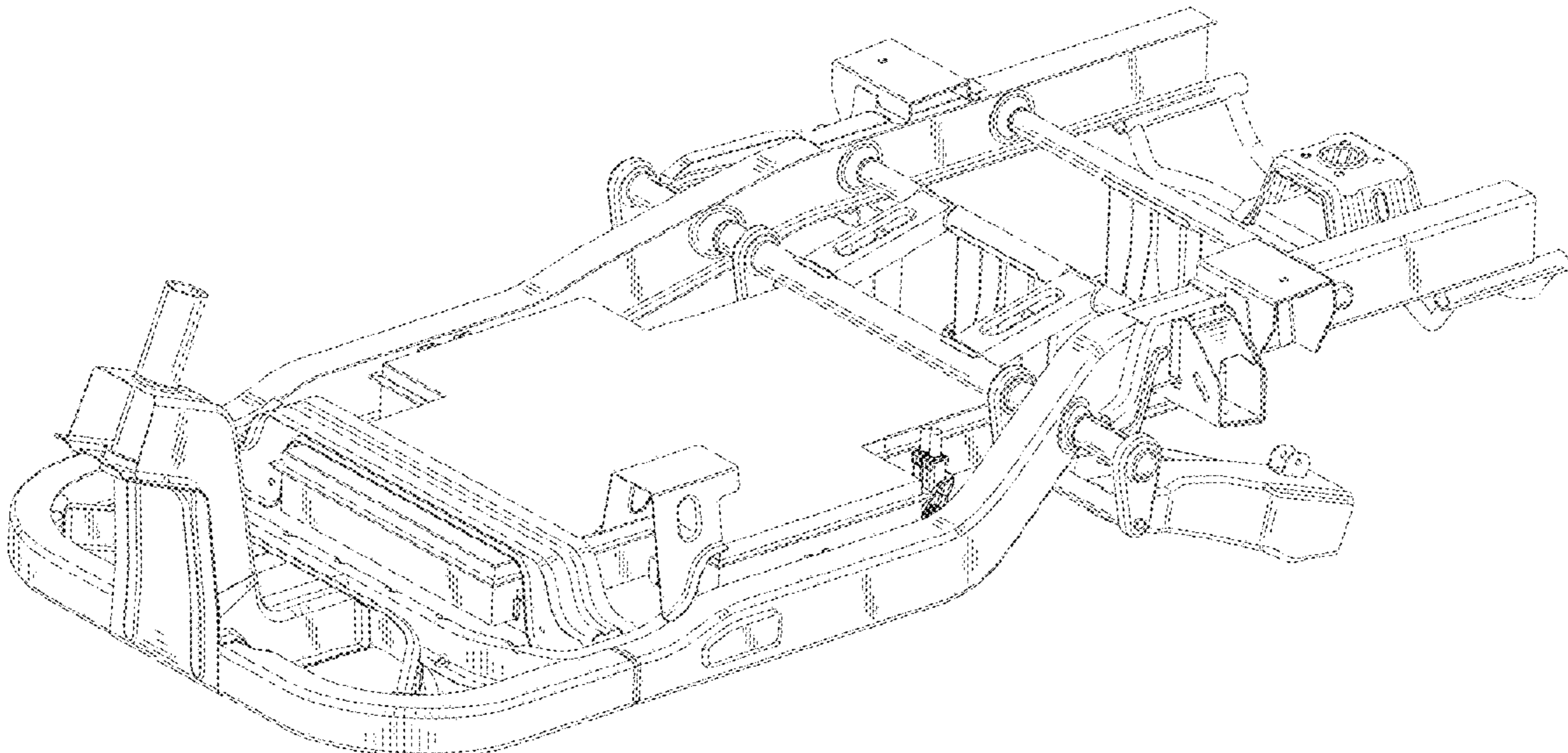
The broken lines are for the purpose of illustrating portions of the article that form no part of the claimed design.

(56) **References Cited**

U.S. PATENT DOCUMENTS

D281,165 S * 10/1985 Braathen D15/10
D281,166 S * 10/1985 Braathen D15/10
D332,978 S * 2/1993 Tsuchiya D21/562
D332,979 S * 2/1993 Tsuchiya D21/562
5,950,754 A * 9/1999 Ondrish, Jr. A63C 17/01
180/180
D731,930 S * 6/2015 Forrellad D12/110

1 Claim, 7 Drawing Sheets



(56)

References Cited

U.S. PATENT DOCUMENTS

2016/0114242 A1* 4/2016 Riley A63C 17/12
180/233
2016/0206949 A1* 7/2016 Murphy A63C 17/12
2019/0209913 A1* 7/2019 Koch A63C 17/0013

FOREIGN PATENT DOCUMENTS

JP 2010243977 A 10/2010
JP 2010252860 A 11/2010

OTHER PUBLICATIONS

U.S. Appl. No. 13/841,948, filed Mar. 15, 2013, David Calley.
U.S. Appl. No. 12/377,846, filed Aug. 19, 2005, Roy Venton-
Walters.
U.S. Appl. No. 12/052,210, filed Apr. 17, 2007, Joseph Wilcox.
U.S. Appl. No. 14/639,475, filed Mar. 21, 2011, James A. J. et al.
U.S. Appl. No. 12/574,615, filed Oct. 6, 2009, Jared Siegwath Seip.
U.S. Appl. No. 09/053,189, filed Dec. 5, 1995, Kenneth Roy Forrest.
U.S. Appl. No. 10/693,675, filed Oct. 24, 2003, Nick Stefano.

* cited by examiner

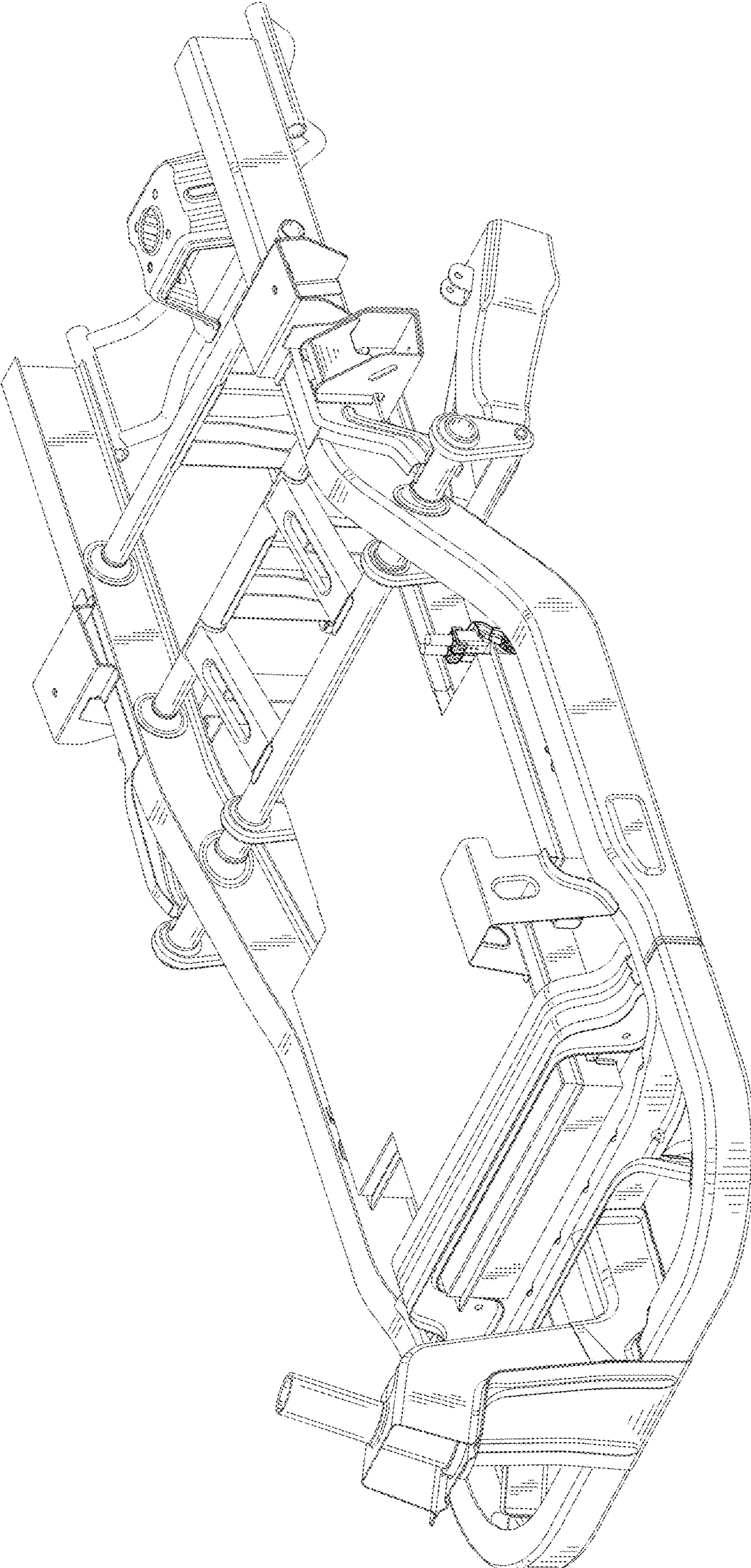


FIG. 1

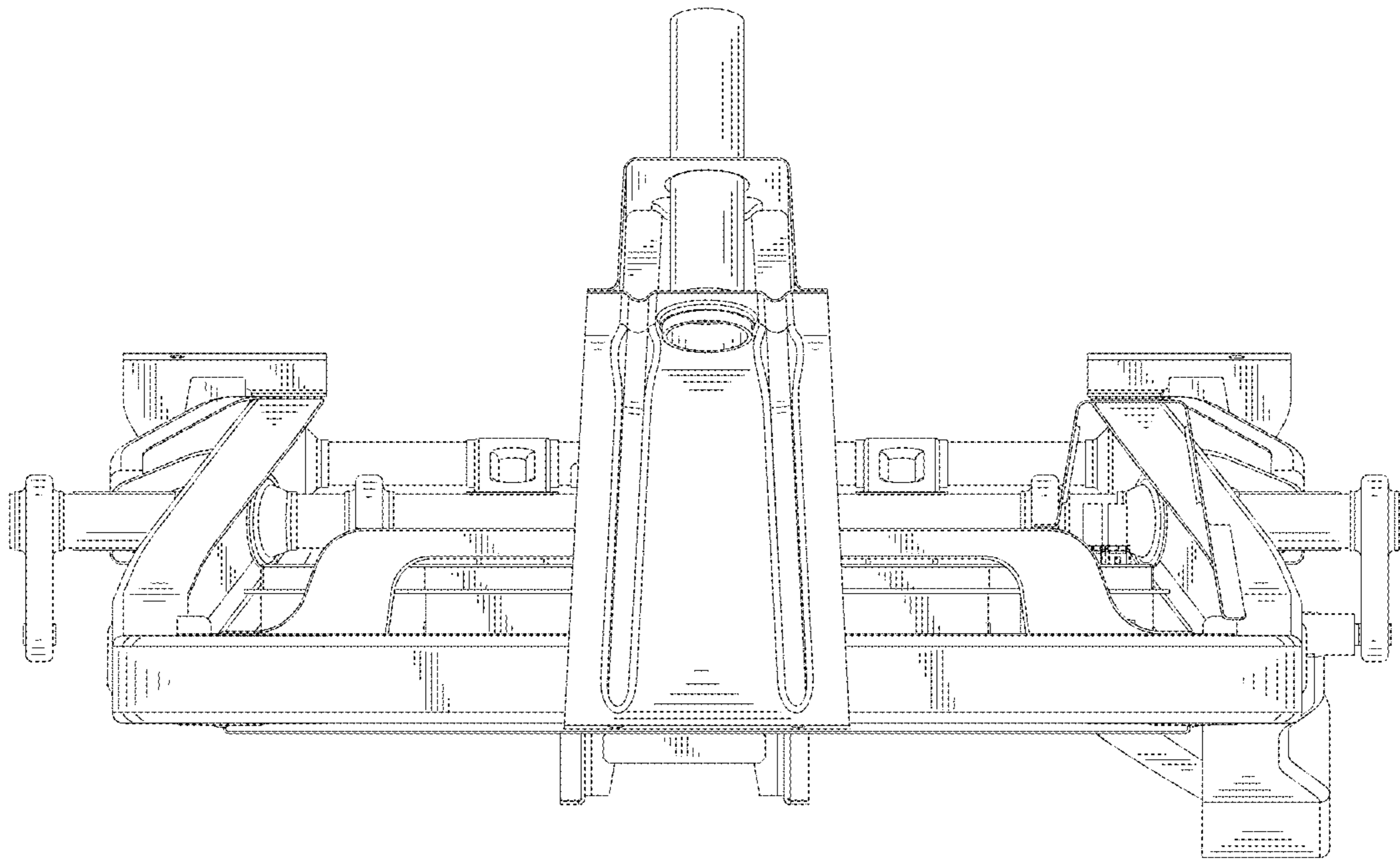


FIG. 2

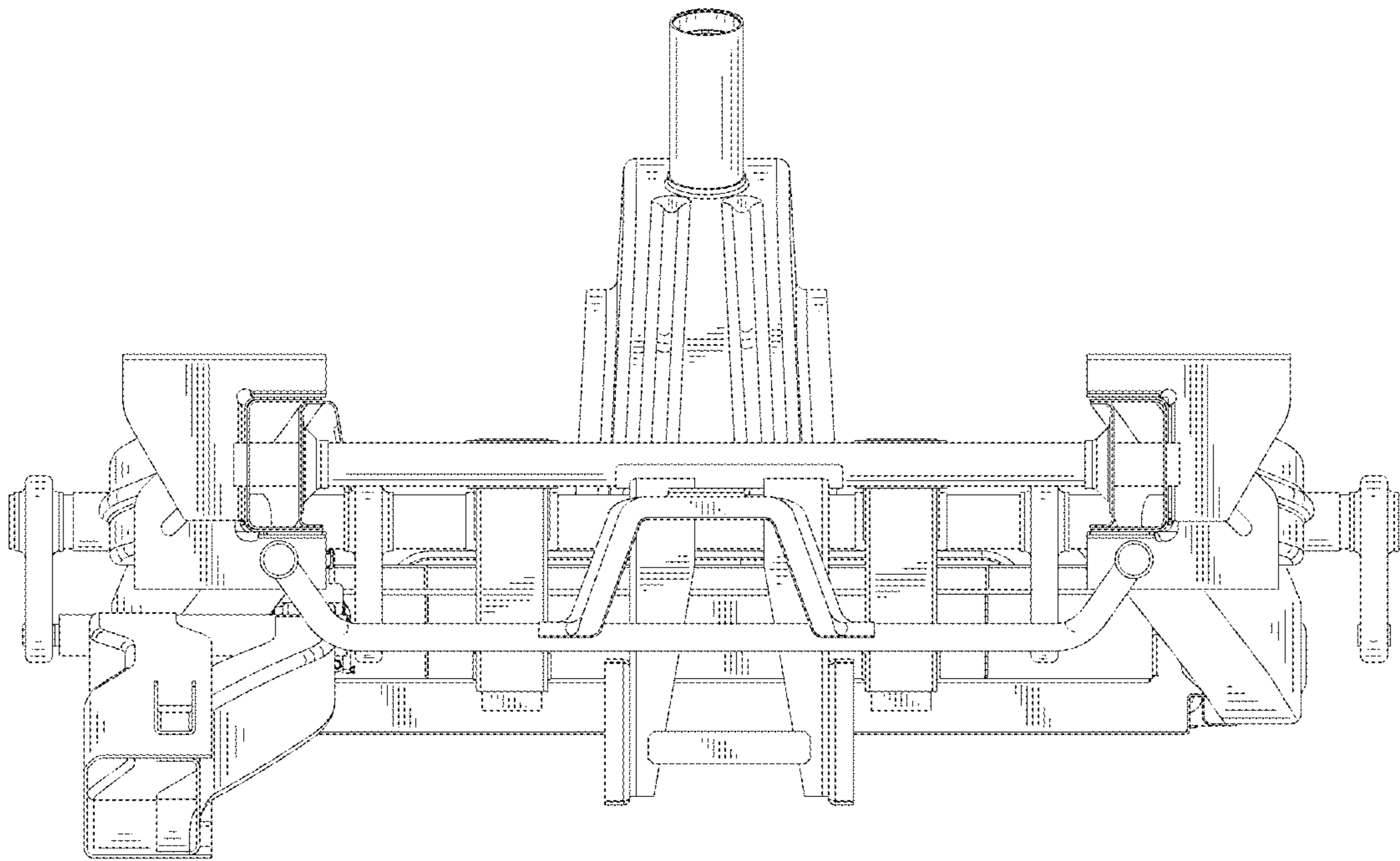


FIG. 3

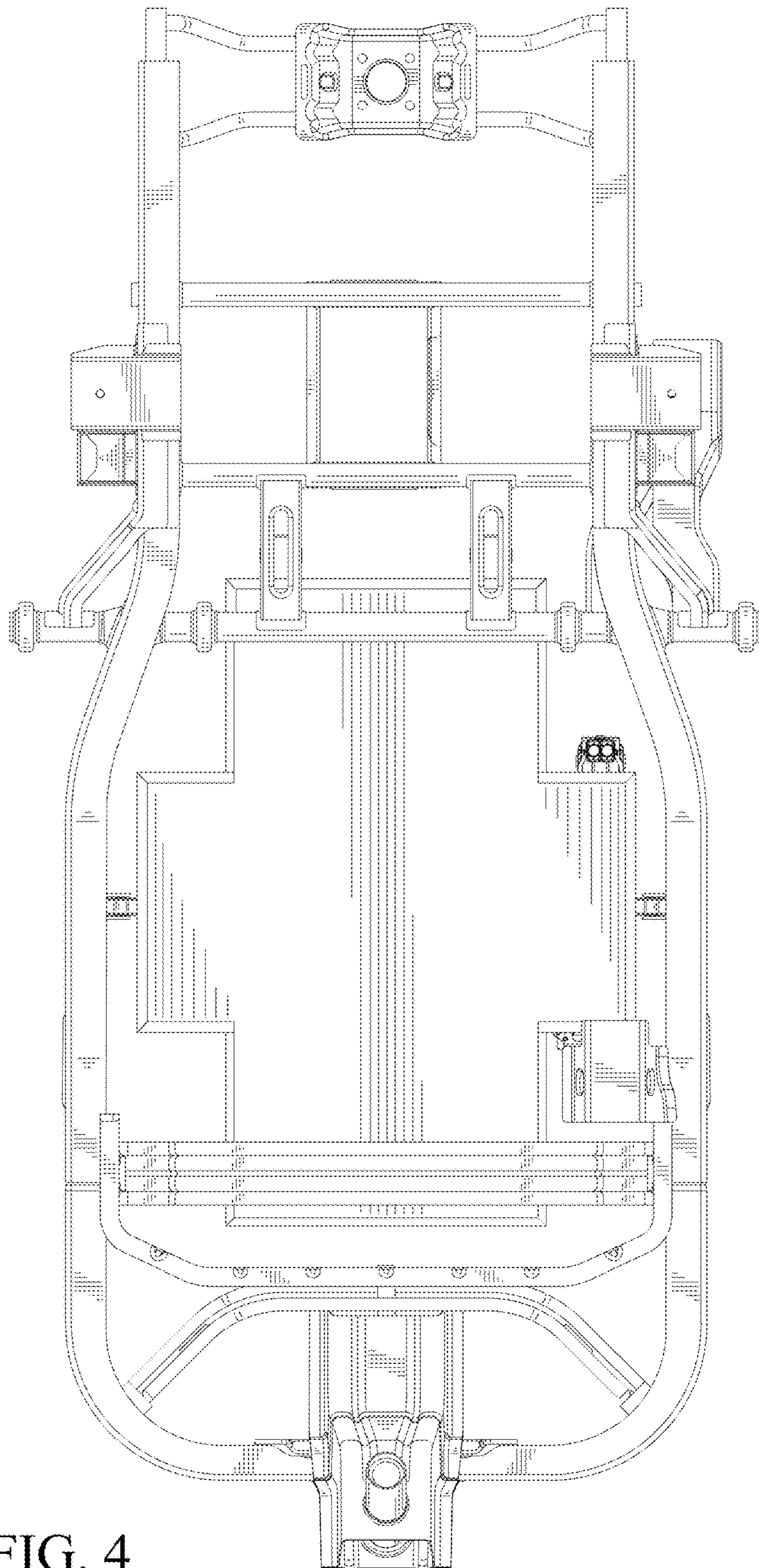


FIG. 4

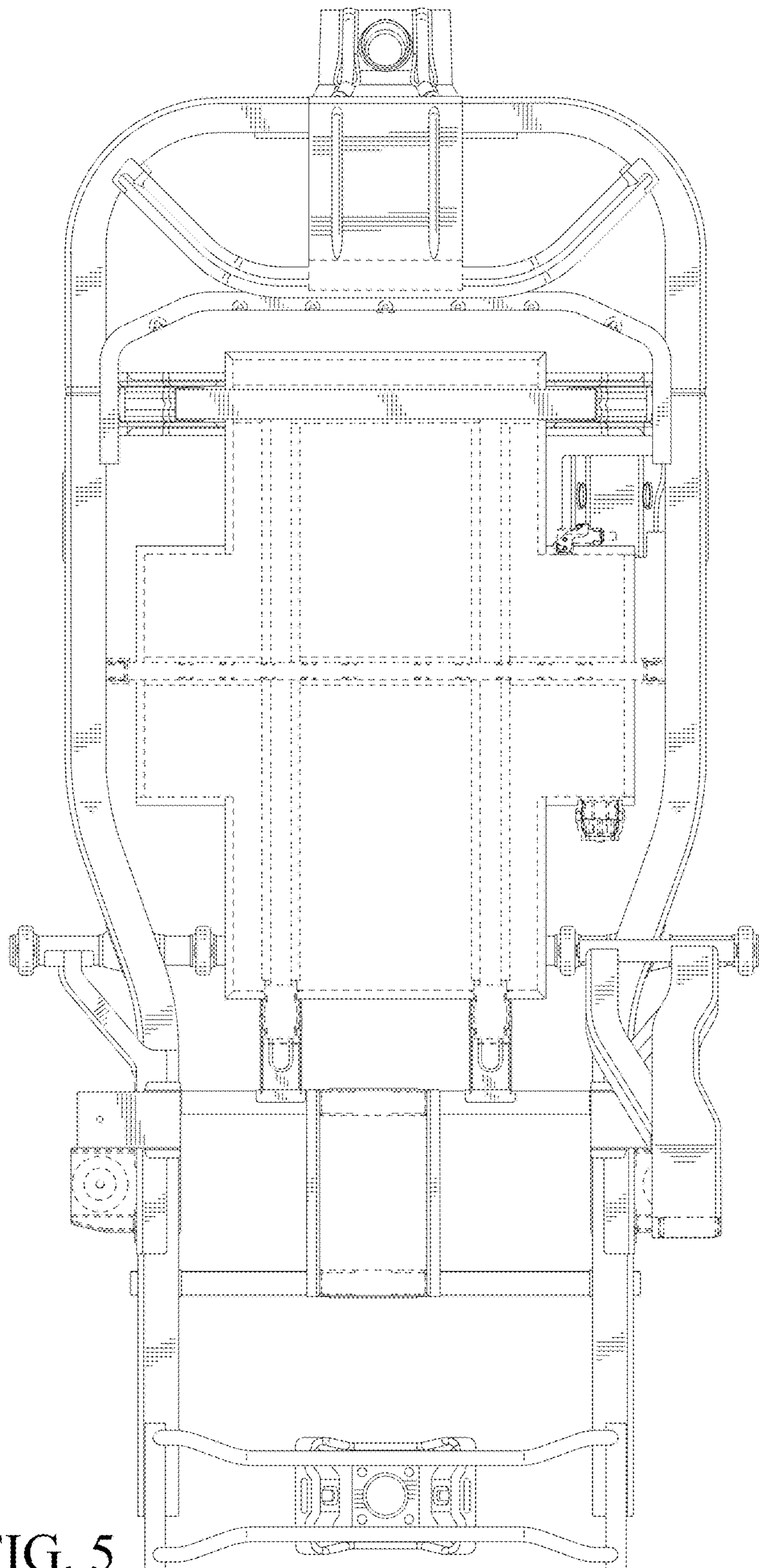


FIG. 5

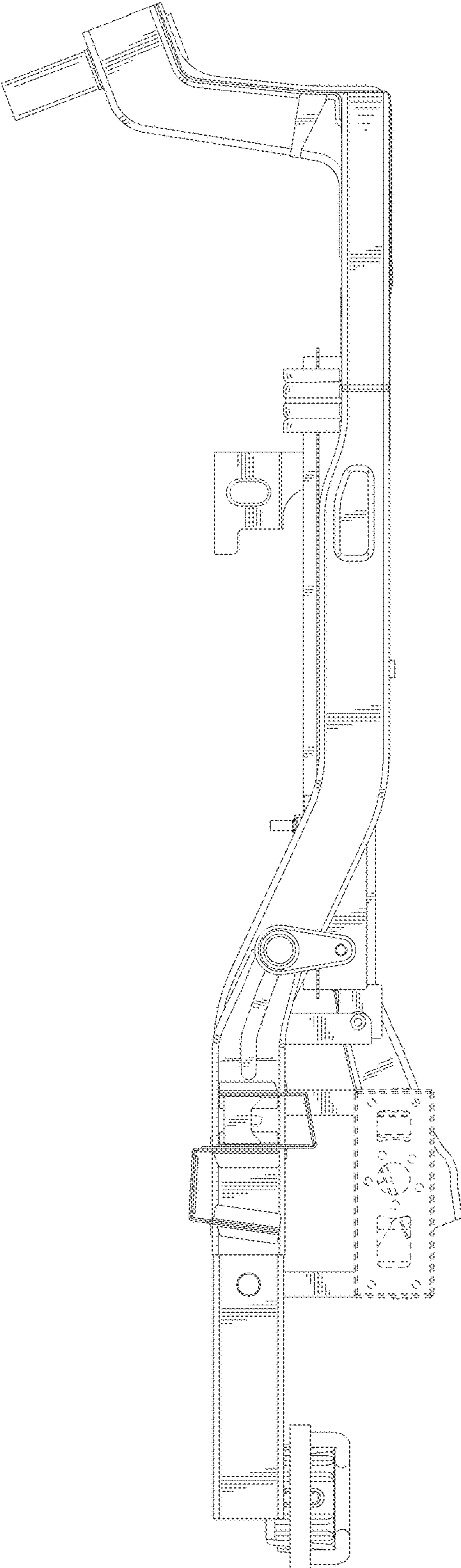


FIG. 6

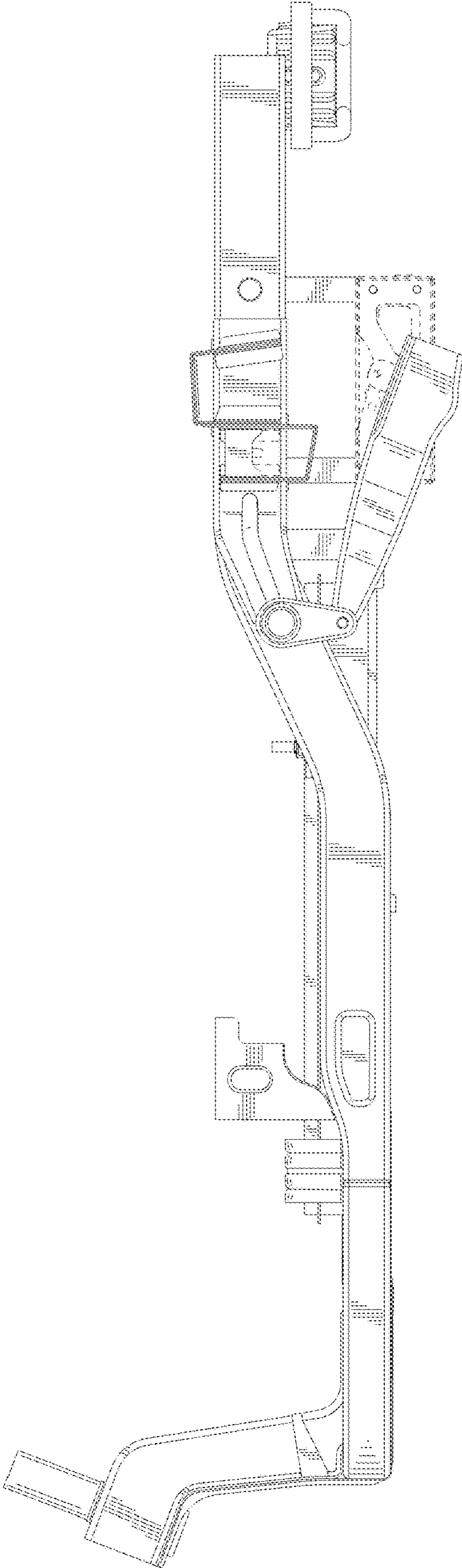


FIG. 7