



US00D919025S

(12) **United States Design Patent**
Maritato

(10) **Patent No.:** **US D919,025 S**

(45) **Date of Patent:** **** May 11, 2021**

- (54) **WATER SKI BOARD**
- (71) Applicant: **Gennaro Joseph Maritato**, Fountain Inn, SC (US)
- (72) Inventor: **Gennaro Joseph Maritato**, Fountain Inn, SC (US)
- (73) Assignee: **Gennaro Maritato**, Vero Beach, FL (US)
- (**) Term: **15 Years**
- (21) Appl. No.: **29/620,235**
- (22) Filed: **Nov. 28, 2016**
- (51) **LOC (13) Cl.** **21-02**
- (52) **U.S. Cl.**
USPC **D21/769**
- (58) **Field of Classification Search**
USPC D21/760, 762, 766, 767, 768, 769;
D12/312, 316, 317
CPC A63C 5/16; A63C 5/00
See application file for complete search history.

- 2,919,452 A * 1/1960 Kluge B63B 35/812
441/70
- 2,938,220 A * 5/1960 Puckett B63B 35/815
441/73
- 2,950,923 A * 8/1960 Forney B63B 35/81
280/28.11
- 2,959,795 A * 11/1960 Fong B63B 35/81
441/73
- 3,015,830 A * 1/1962 Clark B63B 35/83
441/76
- 3,025,539 A * 3/1962 Kincaid B63B 35/85
441/71
- 3,027,575 A * 4/1962 Fortin B63B 35/81
441/68
- 3,031,697 A * 5/1962 Klein B63B 35/81
441/70
- 3,052,899 A * 9/1962 Antoine B63B 35/85
441/71
- 3,066,327 A * 12/1962 Durfey B63B 35/81
441/79
- 3,066,328 A * 12/1962 Jones B63B 35/85
441/73
- 3,080,585 A * 3/1963 Marble B63B 35/81
441/68
- 3,084,356 A * 4/1963 Wheat B63B 34/56
441/77

(Continued)

Primary Examiner — Khawaja Anwar
Assistant Examiner — Mojtaba Tehrani

(56) **References Cited**

U.S. PATENT DOCUMENTS

- 1,286,217 A * 12/1918 Brandes B62B 17/065
280/14.27
- 2,153,939 A * 4/1939 Hill B63B 35/83
441/77
- 2,242,156 A * 5/1941 Wallace A63C 5/12
280/601
- 2,382,149 A * 8/1945 Hartman B63B 35/812
441/70
- 2,382,150 A * 8/1945 Hartman B63B 35/81
441/68
- 2,841,805 A * 7/1958 Brooks B63B 35/81
441/73
- 2,866,210 A * 12/1958 Romig B63B 35/812
441/70

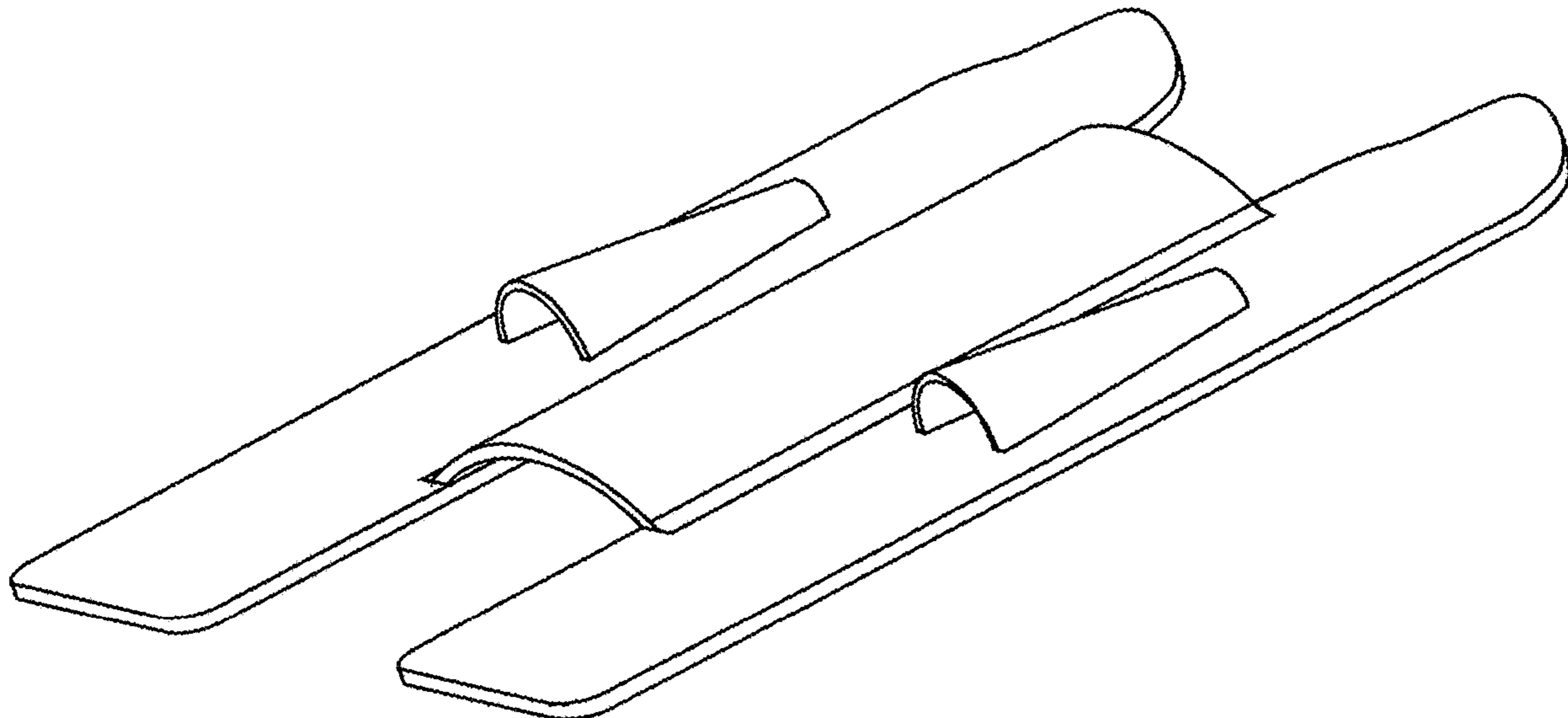
(57) **CLAIM**

I claim the ornamental design for a water ski board, as shown and described.

DESCRIPTION

FIG. 1 is a top isometric view of a water ski board, showing my new design;
FIG. 2 is a top view thereof; and,
FIG. 3 is a side view thereof.

1 Claim, 3 Drawing Sheets



(56)

References Cited

U.S. PATENT DOCUMENTS

3,087,173 A * 4/1963 Meyer B63B 35/81
441/79
3,103,672 A * 9/1963 Lockwood B63B 35/812
441/70
3,145,399 A * 8/1964 Jackson B63B 35/81
441/72
3,212,113 A * 10/1965 Barrett B63B 35/85
441/70
3,280,411 A * 10/1966 Brock B63B 35/812
441/70
3,422,786 A * 1/1969 Brandhorst B63B 35/815
114/253
3,541,623 A * 11/1970 Duda B63B 34/56
441/76
3,751,056 A * 8/1973 Wightman A63C 5/16
280/818
D234,866 S * 4/1975 Cox, III D21/767
3,877,409 A * 4/1975 Krogseng B63B 35/83
441/76
4,069,786 A * 1/1978 La Botz B63B 35/815
114/253
D255,820 S * 7/1980 Borden 280/14.21
4,453,742 A * 6/1984 Zepkowski A63C 5/16
280/22.1
4,460,344 A * 7/1984 Notermann B63B 35/85
434/253
4,568,296 A * 2/1986 Newell B63B 35/812
280/636
4,758,192 A * 7/1988 Marks B63B 35/812
441/70

D304,361 S * 10/1989 Colclasure D21/767
4,981,455 A * 1/1991 Tubens A63B 69/187
280/818
D399,550 S * 10/1998 Wyatt D21/766
5,911,611 A * 6/1999 Saad A63B 69/187
434/253
6,290,249 B1 * 9/2001 Wolf A63C 5/03
280/14.21
D473,908 S * 4/2003 Eckert D21/766
6,764,363 B2 * 7/2004 Rosen B63B 34/56
441/77
D561,860 S * 2/2008 Carlson D21/760
D617,407 S * 6/2010 Ruiz D21/769
9,376,178 B2 * 6/2016 Suckewer B63B 32/70
9,517,819 B2 * 12/2016 Souter B63B 34/56
D790,016 S * 6/2017 DeLeon D21/773
9,902,473 B2 * 2/2018 Souter B63B 34/50
D838,328 S * 1/2019 Lockwood D21/769
D874,594 S * 2/2020 Howard D21/769
D875,865 S * 2/2020 Steiner D21/769
10,926,849 B1 * 2/2021 Orth B63B 34/56
2008/0100035 A1 * 5/2008 Schultz B63B 34/56
280/615
2009/0130932 A1 * 5/2009 Yesil B63B 35/73
441/76
2011/0092116 A1 * 4/2011 Ruiz B63B 35/73
441/73
2013/0102211 A1 * 4/2013 Ruiz B63B 35/79
441/74
2018/0194443 A1 * 7/2018 Carril B63B 32/70
2019/0076725 A1 * 3/2019 Wheeler A63C 5/16

* cited by examiner

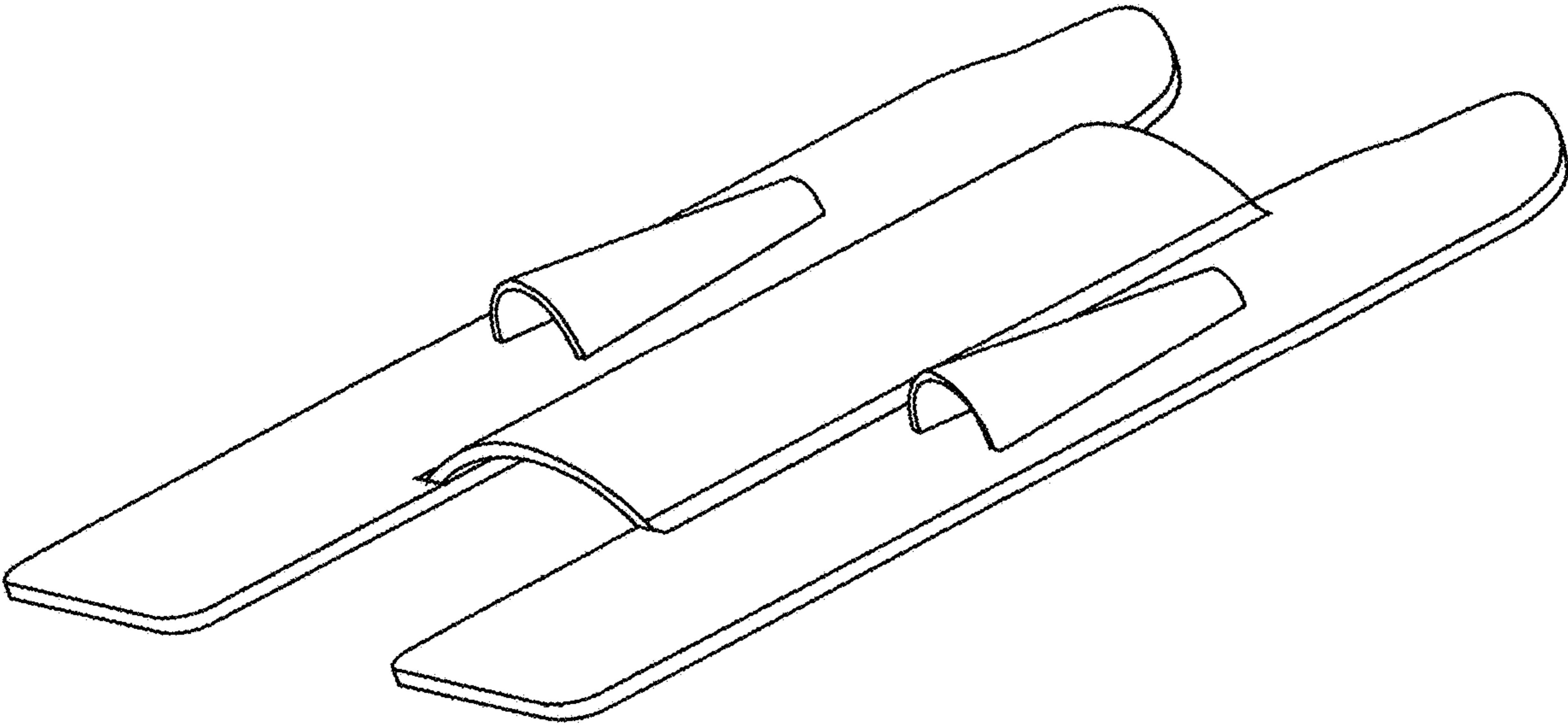


Fig. 1

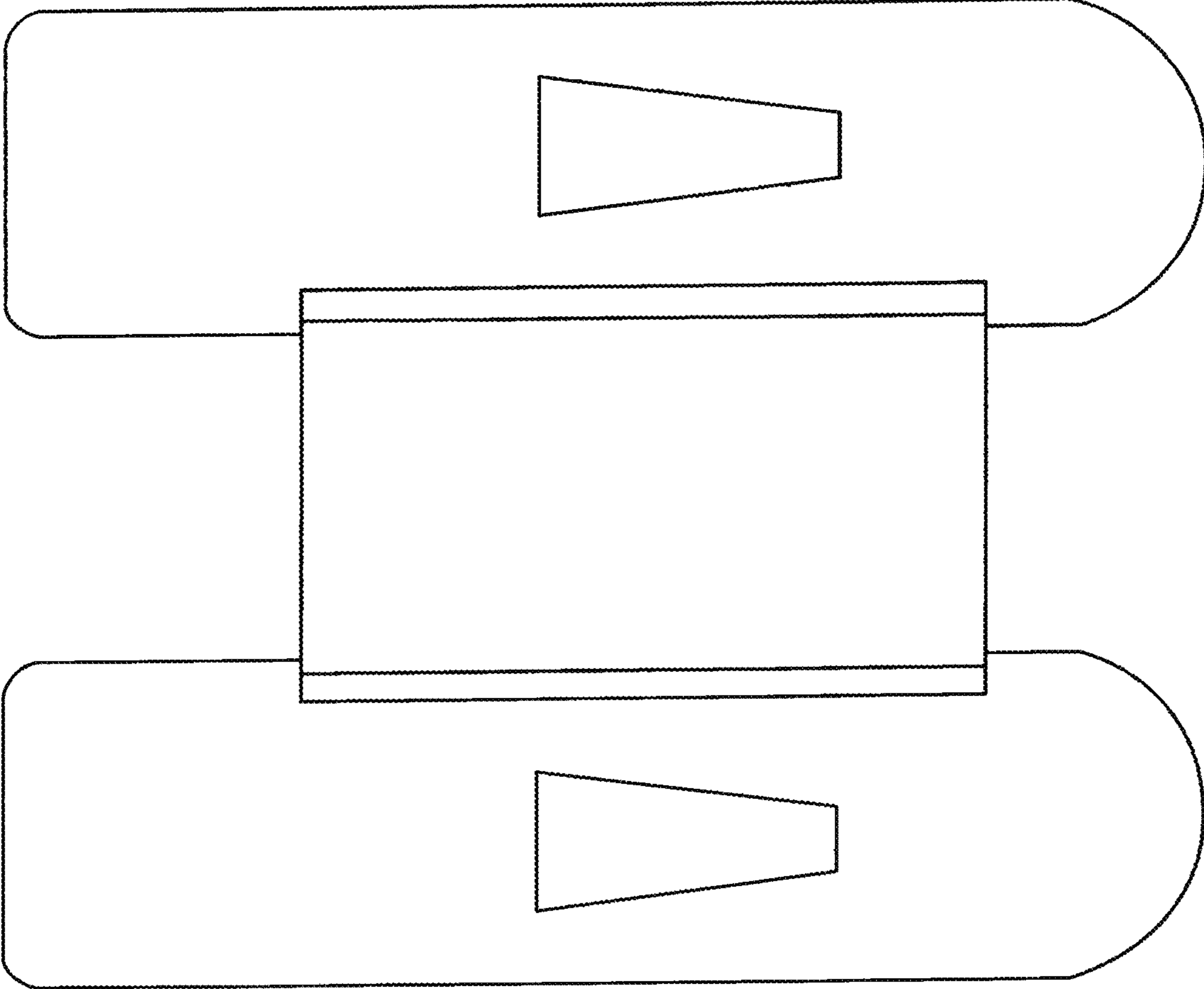


Fig. 2

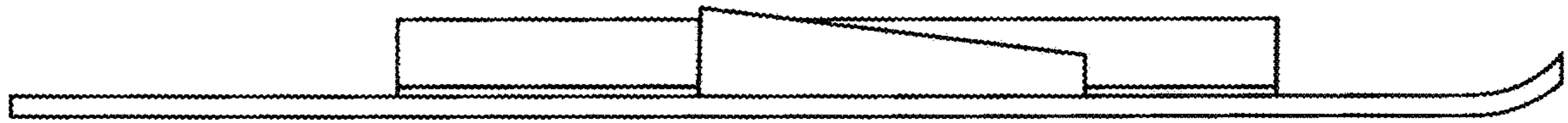


Fig. 3