



US00D919022S

(12) **United States Design Patent** (10) **Patent No.:** **US D919,022 S**
Yang (45) **Date of Patent:** **** May 11, 2021**

(54) **FITNESS EQUIPMENT**
(71) Applicant: **Hong Yang**, Ningbo (CN)
(72) Inventor: **Hong Yang**, Ningbo (CN)
(**) Term: **15 Years**
(21) Appl. No.: **29/744,205**
(22) Filed: **Jul. 28, 2020**
(51) **LOC (13) Cl.** **21-02**
(52) **U.S. Cl.**
USPC **D21/694**; D21/673
(58) **Field of Classification Search**
USPC D21/679, 673, 675, 677, 684, 691, 694,
D21/662; 482/44, 50, 107, 46, 55, 102,
482/106; D8/354, 367
CPC . A63B 23/14; A63B 21/0628; A63B 21/4035;
A63B 21/072; A63B 21/0728
See application file for complete search history.

8,834,330 B1 * 9/2014 Morales A63B 23/16
482/107
8,944,964 B1 * 2/2015 Saffaie A63B 21/4043
482/44
D746,925 S 1/2016 Firth et al.
D772,040 S * 11/2016 Grant D8/354
D823,953 S 7/2018 Kuka
10,188,899 B1 * 1/2019 Acuna, Jr. A63B 23/0405
D842,947 S 3/2019 Kuka
10,384,096 B1 * 8/2019 Aery A63B 23/1209
D874,586 S * 2/2020 Bartolotta D21/694
D884,097 S * 5/2020 Ameri D21/694
10,646,748 B1 * 5/2020 Bernotas A63B 23/14
(Continued)

(56) **References Cited**
U.S. PATENT DOCUMENTS
3,666,267 A * 5/1972 McKinney A63B 21/015
482/46
3,861,675 A * 1/1975 Hopper A63B 69/12
482/55
5,029,849 A * 7/1991 Nurkowski A63B 21/072
482/106
5,060,933 A * 10/1991 Cedro A63B 23/14
482/44
D416,959 S * 11/1999 Tumminia D21/662
6,022,299 A * 2/2000 Stewart A63B 21/154
482/102
D433,468 S * 11/2000 Rojas D21/680
6,152,858 A * 11/2000 Kolb A63B 23/14
482/100
7,074,131 B1 * 7/2006 Renaud A63B 69/3623
473/219
7,141,002 B2 * 11/2006 Connelly A63B 21/072
482/50
D658,976 S * 5/2012 Morrow, Jr. D8/367

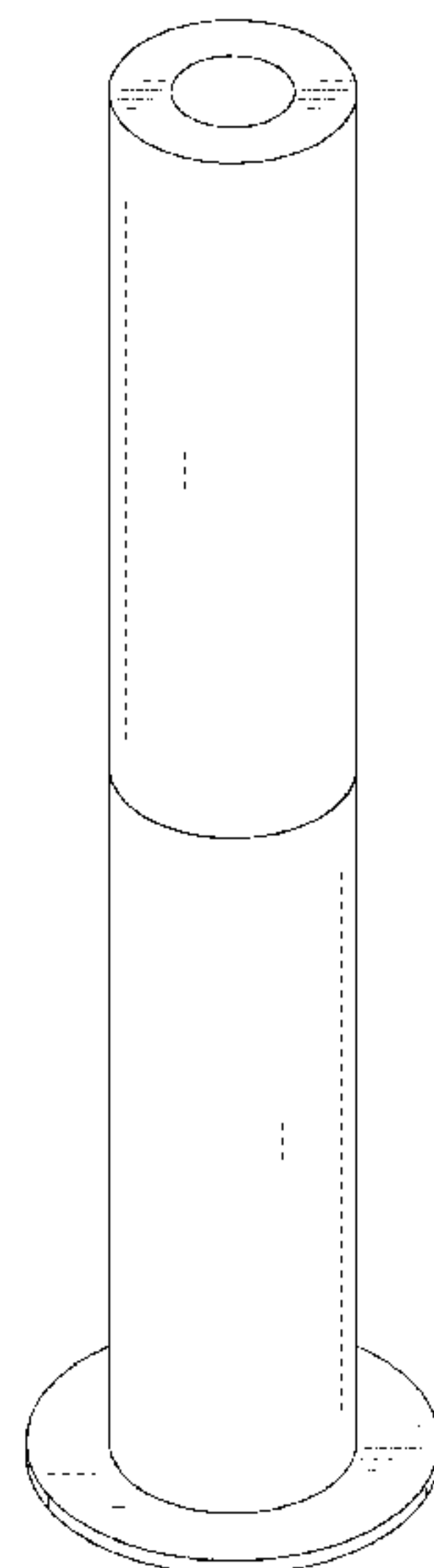
OTHER PUBLICATIONS
SYL by SYL Fitness Store dated May 11, 2019. Found online [Feb. 4, 2021] https://www.amazon.com/SYL-Fitness-Loading-Olympic-Attachment/dp/B07RFLHNYT/ref=cm_cr_arp_d_product_top?ie=UTF8.
(Continued)

Primary Examiner — Ryan Harvey

(57) **CLAIM**
The ornamental design for a fitness equipment, as shown and described.

DESCRIPTION
FIG. 1 is a perspective view of a fitness equipment showing my new design;
FIG. 2 is a front view thereof;
FIG. 3 is a back view thereof;
FIG. 4 is a left side view thereof;
FIG. 5 is a right side view thereof;
FIG. 6 is a top view thereof;
FIG. 7 is a bottom view thereof; and,
FIG. 8 is a perspective view of another state of the fitness equipment thereof.

1 Claim, 8 Drawing Sheets



(56)

References Cited

U.S. PATENT DOCUMENTS

D893,642 S * 8/2020 Henniger D21/694
2006/0281608 A1 * 12/2006 Tumminello A63B 21/0728
482/93
2013/0288861 A1 * 10/2013 Cole A63B 23/1263
482/102
2020/0114195 A1 * 4/2020 Henniger A63B 21/08
2020/0365991 A1 * 11/2020 Hong H01Q 7/08

OTHER PUBLICATIONS

YaNovate by YaNovate dated Sep. 20, 2020. Found online [Feb. 4, 2021] https://www.amazon.com/YaNovate-Adjustable-Pulldowns-Exercise-Equipment/dp/B08LQ78T2G/ref=cm_cr_arp_d_product_top?ie=UTF8.*

Genie by GripGenie dated Nov. 19, 2019. Found online [Feb. 4, 2021] <https://gripgenie.com/products/loadingpin>.*

Rogue Power Pin by Rogue dated no date given. Found online [Feb. 4, 2021] https://www.roguefitness.com/rogue-power-pin?gclid=EAla1QobChMluYH4-r_

O7glVFNyCh3F9QcaEAQYAiABEgKwZvD_BwE.*

Rogue Ring by Rogue dated no date given. Found online [Feb. 4, 2021] https://www.roguefitness.com/rogue-ring-power-pin?prod_id=30461&gclid=EAla1QobChMluYH4-r_

O7glVFNyCh3F9QcaEAQYASABEgLW7_D_BwE.*

Fitness Loading by J Bryant Fitness dated Sep. 25, 2020. Found online [Feb. 4, 2021] tinyurl.com/1nm57wi2.*

* cited by examiner

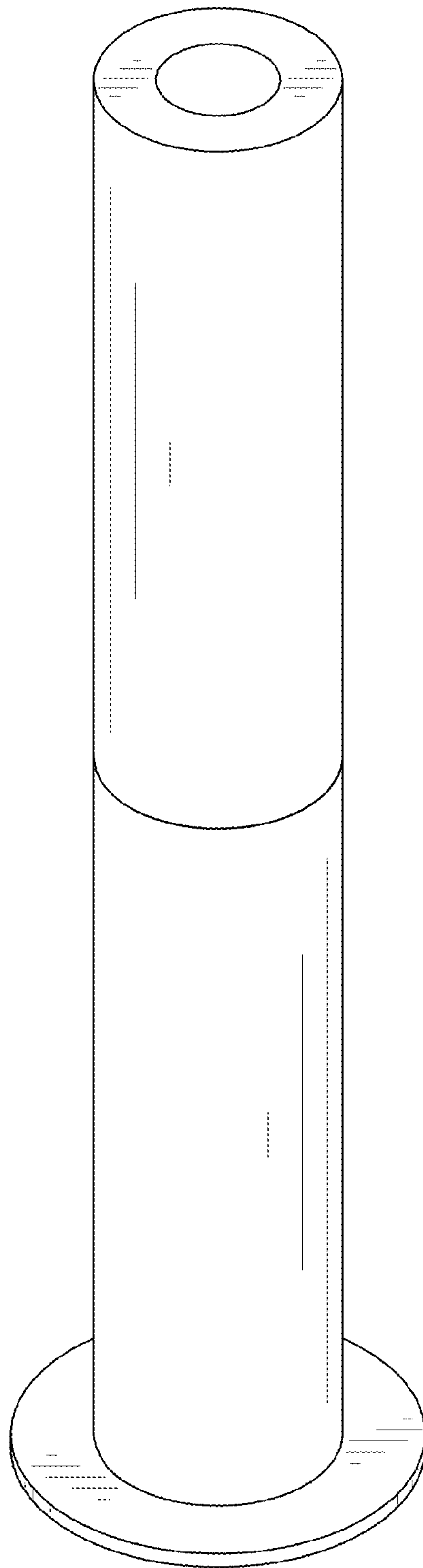


FIG. 1

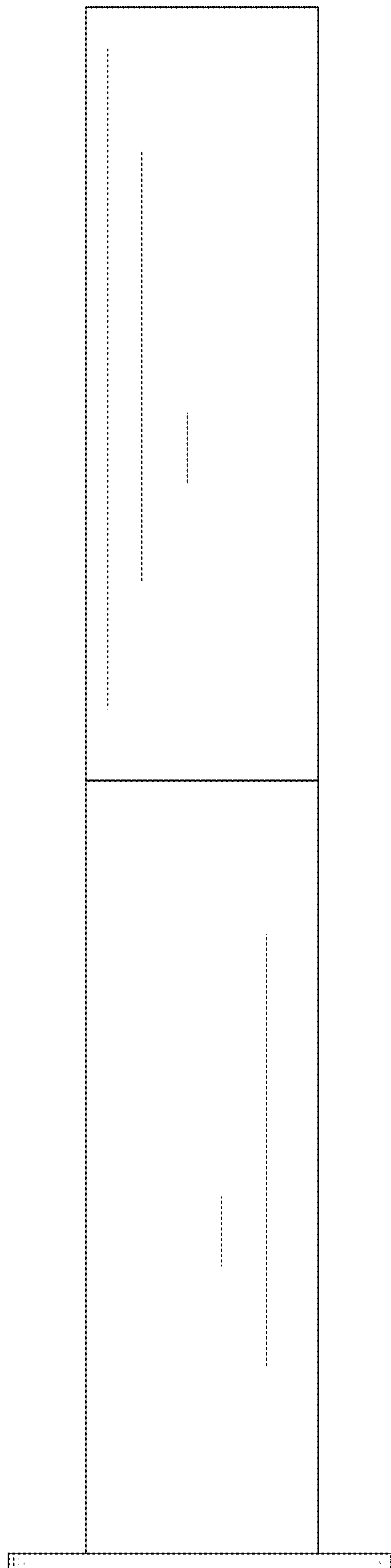


FIG. 2

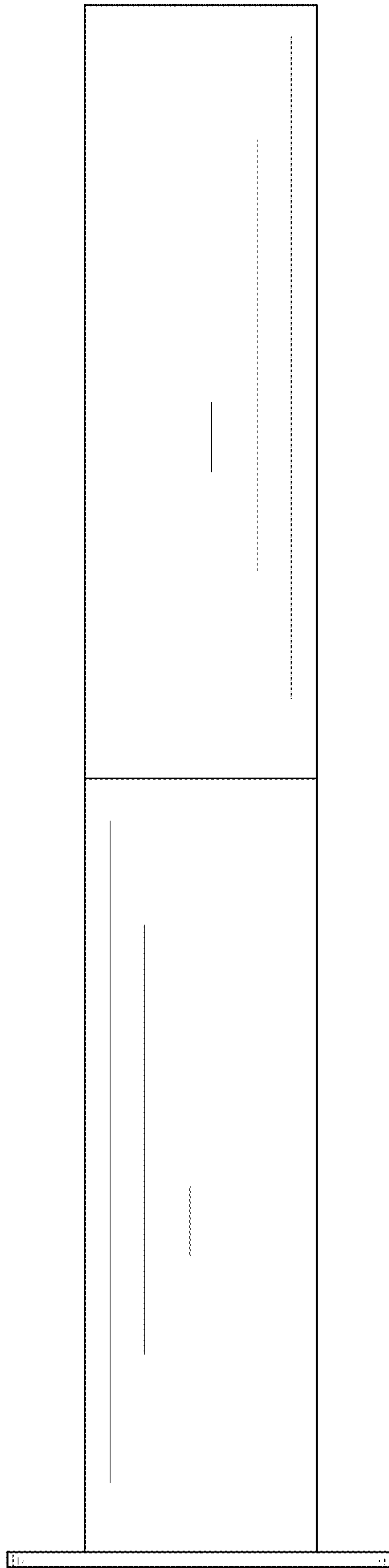


FIG. 3

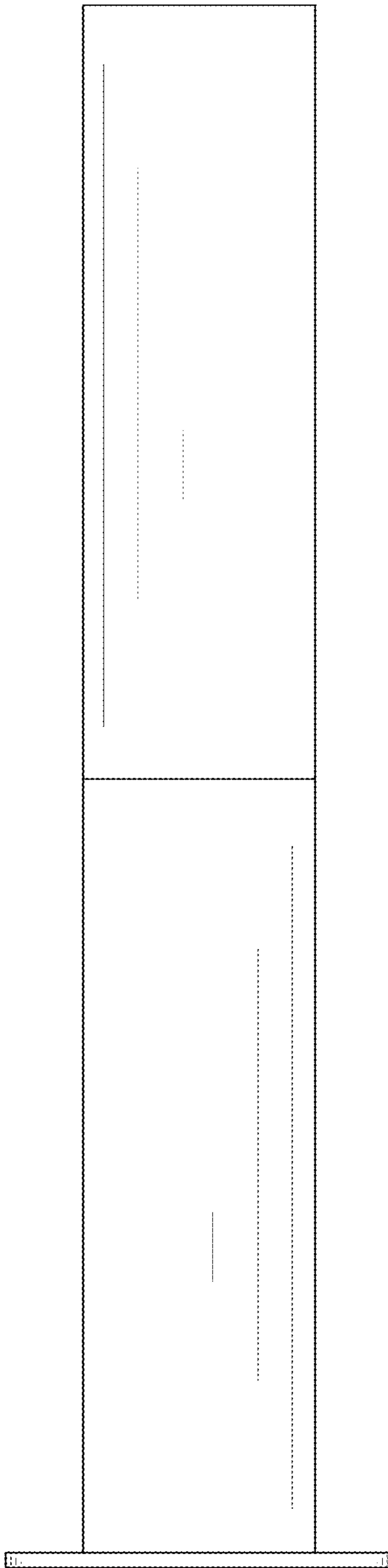


FIG. 4

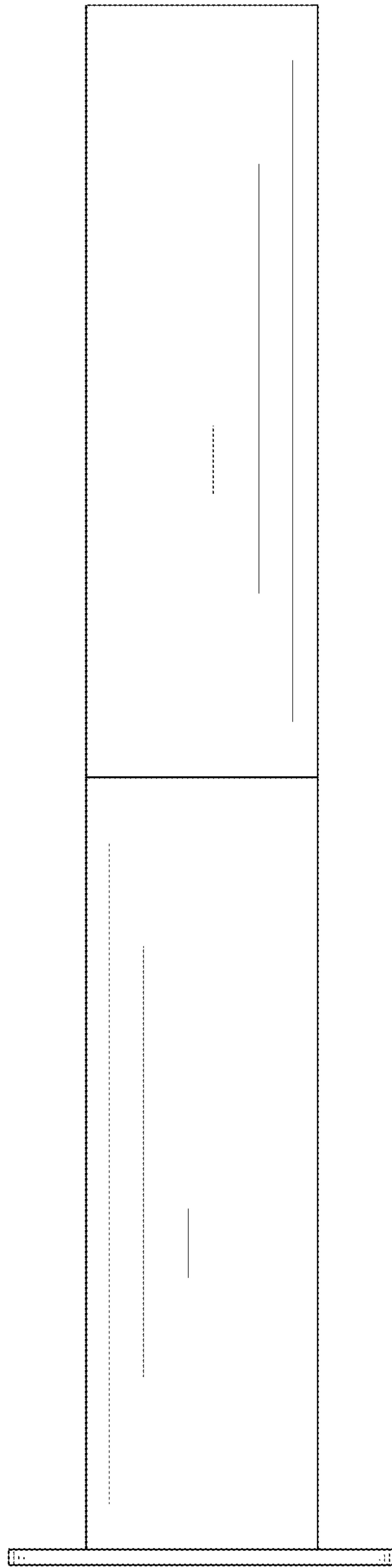


FIG. 5

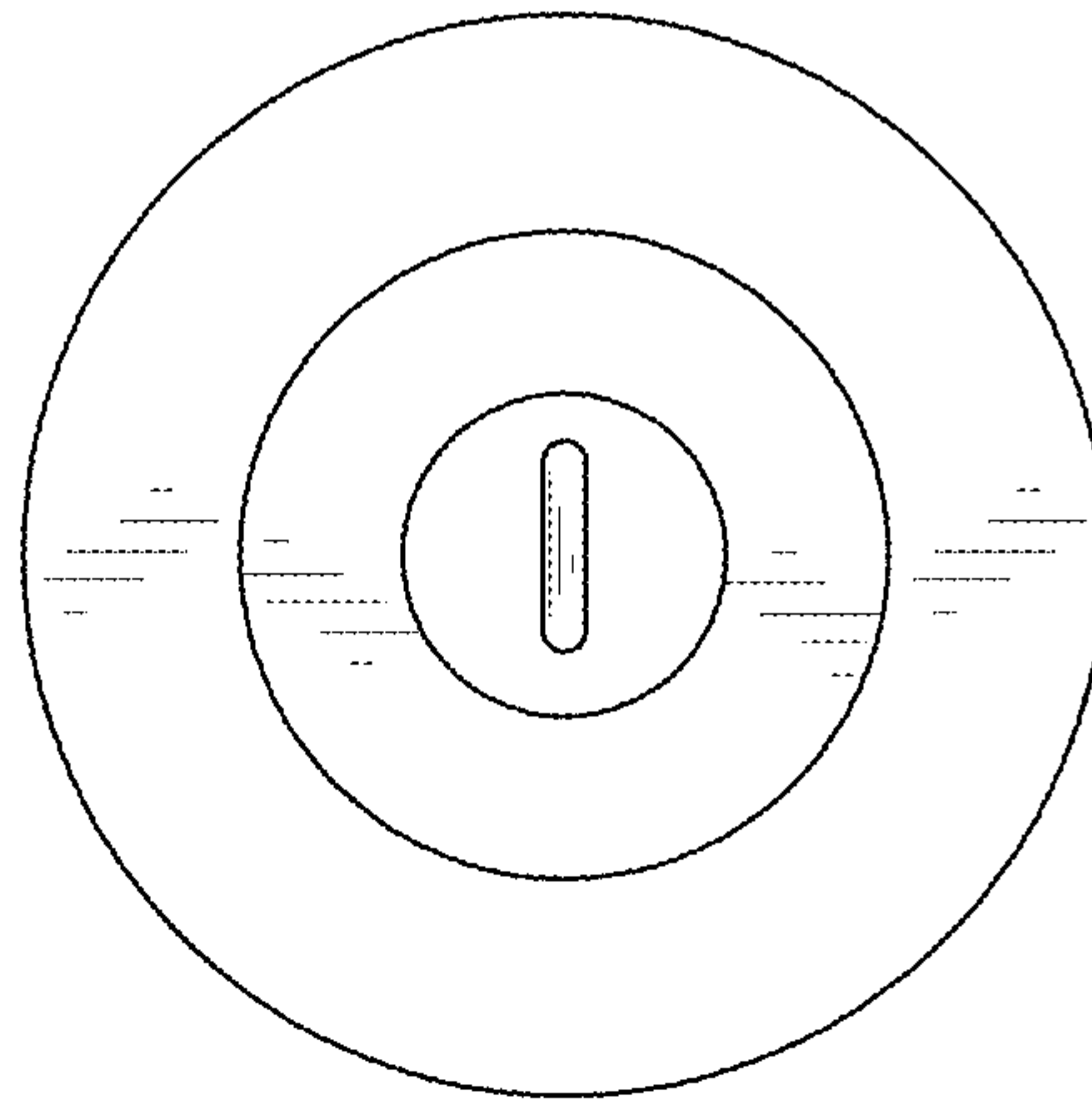


FIG. 6

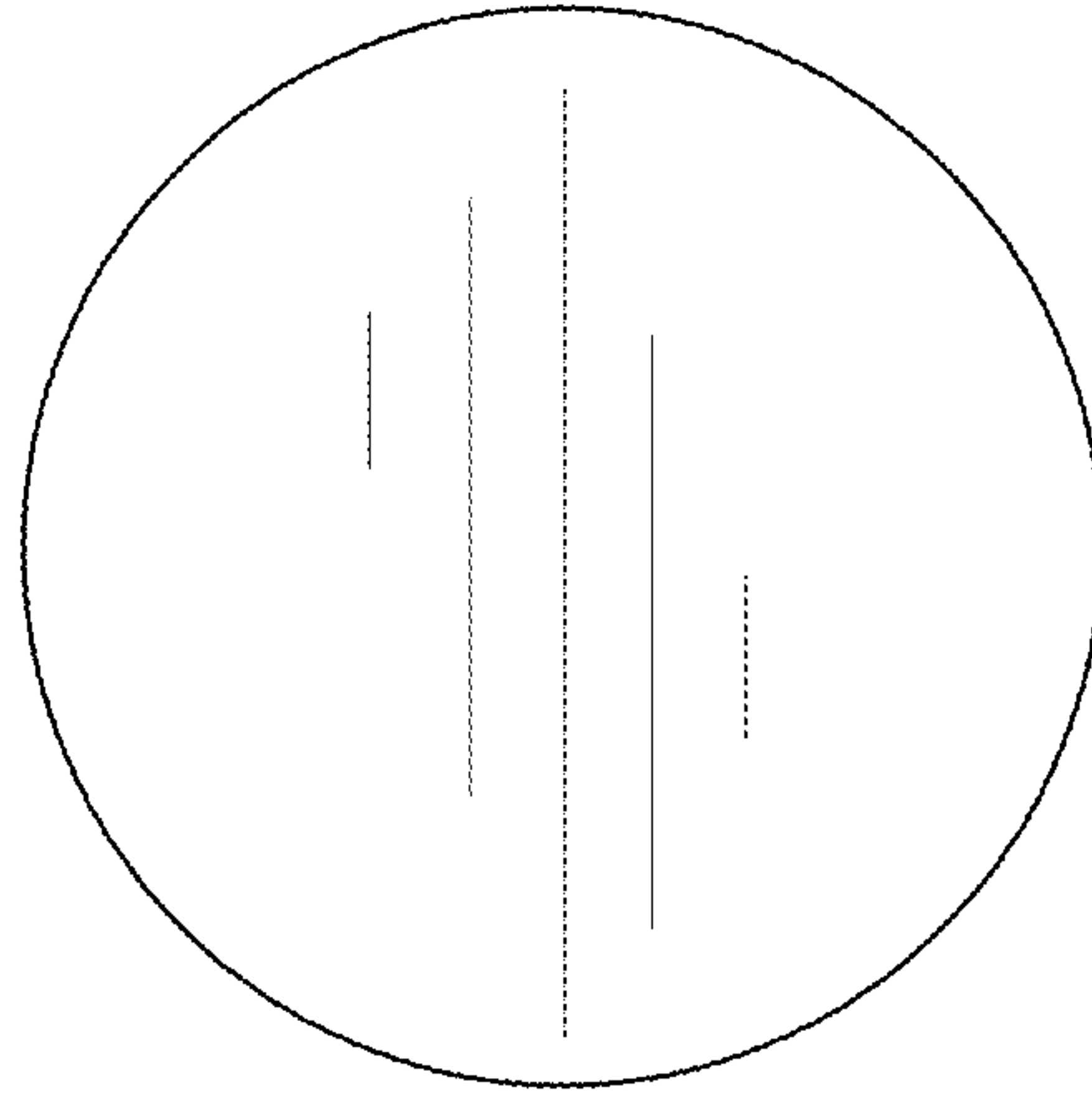


FIG. 7

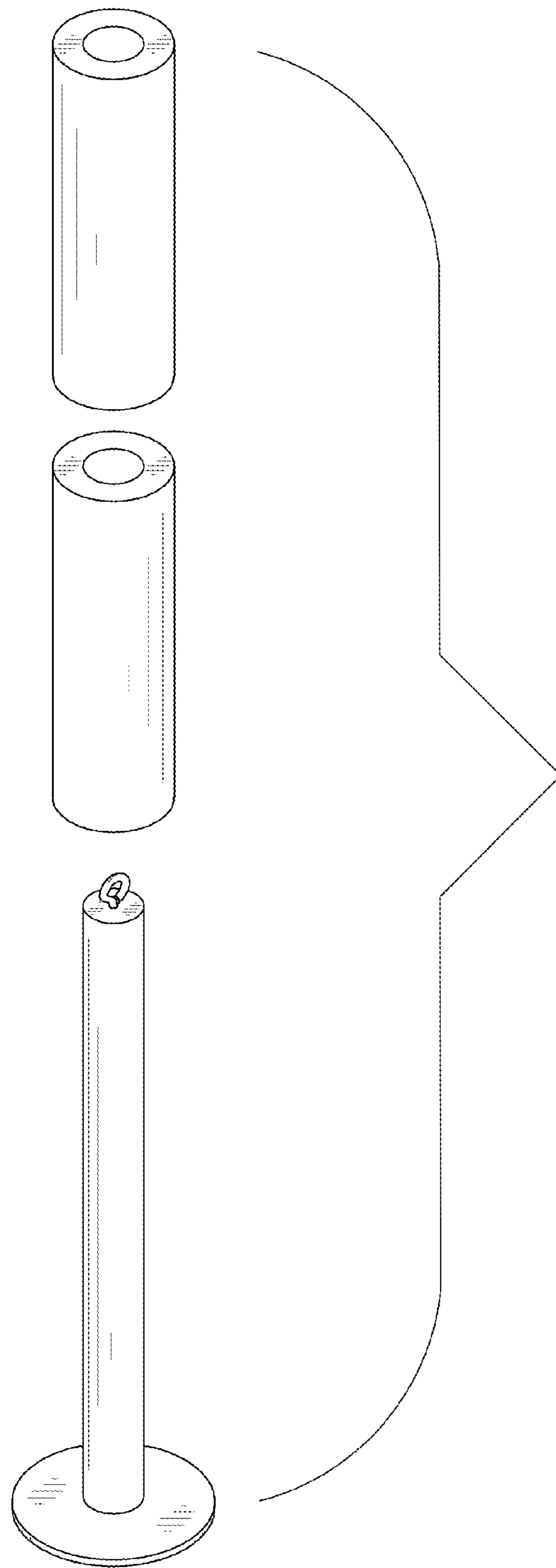


FIG. 8