



US00D919021S

(12) **United States Design Patent**
Ho

(10) **Patent No.:** **US D919,021 S**

(45) **Date of Patent:** **** May 11, 2021**

(54) **SIX-IN-ONE ABDOMINAL EXERCISE DEVICE**

(71) Applicant: **TOPWAY HIGHTECH ELECTRONICS (XIAMEN) CO., LTD, Fujian (CN)**

(72) Inventor: **Wei-Teh Ho, Taipei (TW)**

(73) Assignee: **TOPWAY HIGHTECH ELECTRONICS (XIAMEN) CO., LTD, Fujian (CN)**

(**) Term: **15 Years**

(21) Appl. No.: **29/664,165**

(22) Filed: **Sep. 21, 2018**

(51) **LOC (13) Cl.** **21-02**

(52) **U.S. Cl.**
USPC **D21/687**

(58) **Field of Classification Search**
USPC .. 482/94, 95, 96, 97, 98, 99, 101, 102, 133, 482/142; D21/662, 665, 671, 673, 675, D21/676, 686, 687, 690, 694
CPC A63B 21/4029; A63B 2023/006; A63B 21/16; A63B 23/02

See application file for complete search history.

(56) **References Cited**

U.S. PATENT DOCUMENTS

D355,458 S *	2/1995	Chen	D21/673
D367,901 S *	3/1996	Real	D21/676
D408,478 S *	4/1999	Kuo	D21/673
D452,719 S *	1/2002	Lin	D21/668
6,398,699 B1 *	6/2002	Yang	A63B 22/14
				482/142
D474,818 S *	5/2003	Yu	D21/662
D490,868 S *	6/2004	Tornabene	D21/688
D496,701 S *	9/2004	Chung	D21/662
6,918,861 B2 *	7/2005	Liao	A63B 22/14
				482/146

D526,032 S *	8/2006	Wu	D21/673
7,115,078 B1 *	10/2006	Kalamber	A63B 21/015
				482/133
7,125,366 B1 *	10/2006	Yeh	A63B 21/055
				482/140
D568,951 S *	5/2008	Tornabene	D21/673
7,662,077 B1 *	2/2010	Liu	A63B 23/02
				482/142
7,833,143 B1 *	11/2010	Tsai	A63B 21/0552
				482/140
D663,366 S *	7/2012	Ho	D21/689
8,556,780 B2 *	10/2013	Chen	A63B 21/023
				482/140
D728,709 S *	5/2015	Ho	D21/687
D730,457 S *	5/2015	Ho	D21/687
D732,119 S *	6/2015	Ho	D21/687
D741,421 S *	10/2015	Ho	D21/687

(Continued)

Primary Examiner — Cynthia Ramirez

Assistant Examiner — Michael A Maharajh

(74) *Attorney, Agent, or Firm* — Womble Bond Dickinson (US) LLP

(57) **CLAIM**

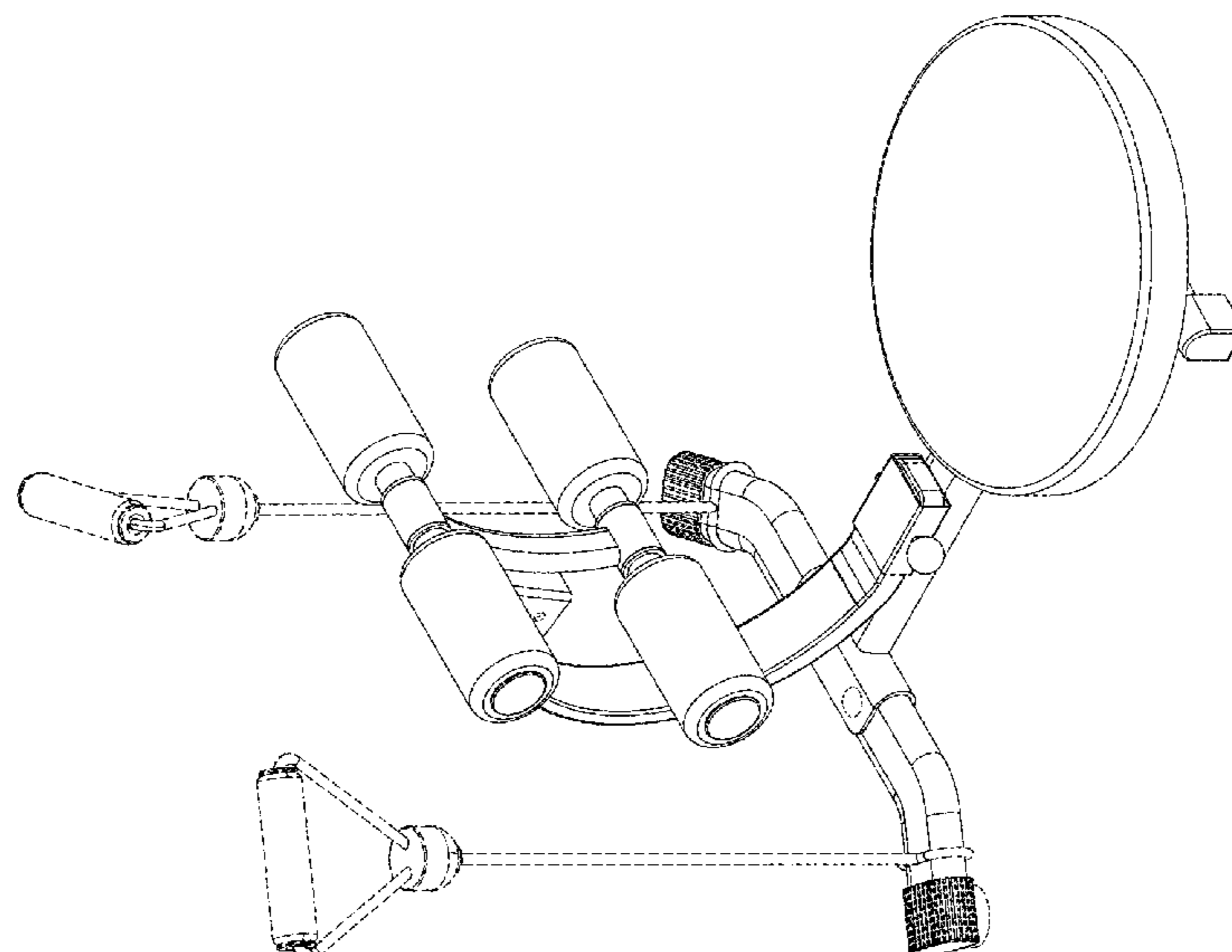
The ornamental design for a six-in-one abdominal exercise device, as shown and described.

DESCRIPTION

FIG. 1 is a perspective view of the six-in-one abdominal exercise device showing my new design; FIG. 2 is a bottom view thereof; FIG. 3 is a front view thereof; FIG. 4 is a left view thereof; FIG. 5 is a rear view thereof; FIG. 6 is a right view thereof; and, FIG. 7 is a top view thereof.

The broken lines in the drawings are for the purpose of illustrating portions of the six-in-one abdominal exercise device, which form no part of the claimed design.

1 Claim, 7 Drawing Sheets



(56)

References Cited

U.S. PATENT DOCUMENTS

D743,494	S *	11/2015	Ho	D21/687
D779,588	S *	2/2017	Chuang	D21/687
D791,888	S *	7/2017	Huang	D21/687
D842,398	S *	3/2019	Zhu	D21/673
D843,519	S *	3/2019	Lalaoua	D21/690
D852,906	S *	7/2019	Zhu	D21/676
D856,442	S *	8/2019	Haquet	D21/662
2005/0181916	A1 *	8/2005	Frost	A63B 21/0004 482/140
2006/0217249	A1 *	9/2006	Webber	A63B 23/02 482/142
2007/0099778	A1 *	5/2007	Ko	A63B 23/0211 482/146
2007/0281840	A1 *	12/2007	Tsai	A63B 23/0211 482/140
2011/0086746	A1 *	4/2011	Verheem	A63B 21/0552 482/133
2012/0238419	A1 *	9/2012	Ho	A63B 22/0087 482/131
2014/0087931	A1 *	3/2014	Ho	A63B 21/00181 482/142
2014/0274617	A1 *	9/2014	Ho	A63B 21/159 482/140
2014/0274618	A1 *	9/2014	Ho	A63B 21/159 482/140
2015/0375036	A1 *	12/2015	Ho	A63B 23/0222 482/140
2015/0375037	A1 *	12/2015	Ho	A63B 21/00185 482/140
2016/0199687	A1 *	7/2016	Ho	A63B 23/0205 482/66
2016/0263420	A1 *	9/2016	DuMee	A63B 21/0552
2017/0239518	A1 *	8/2017	Porteros De Luz	A63B 21/159

* cited by examiner

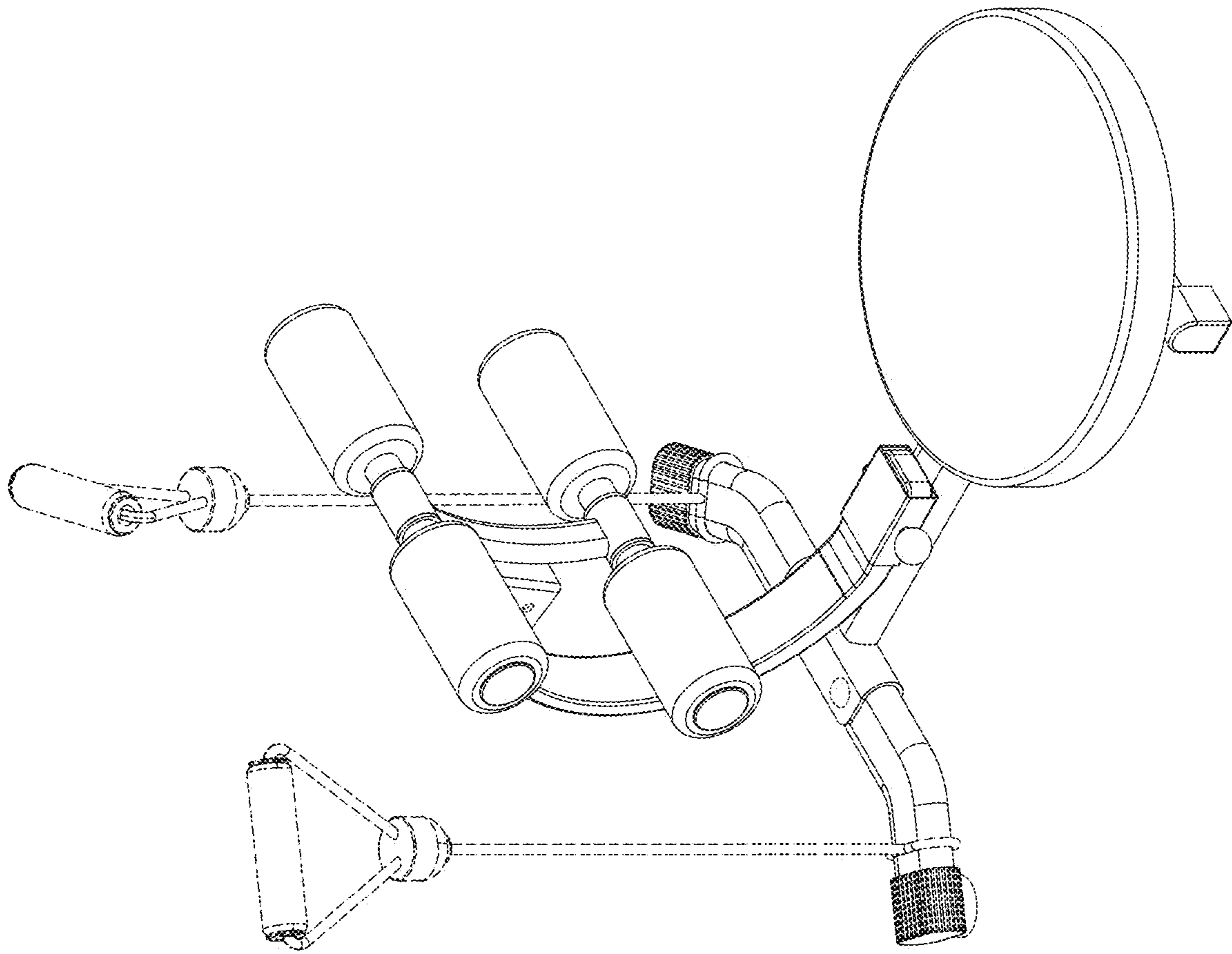


FIG. 1

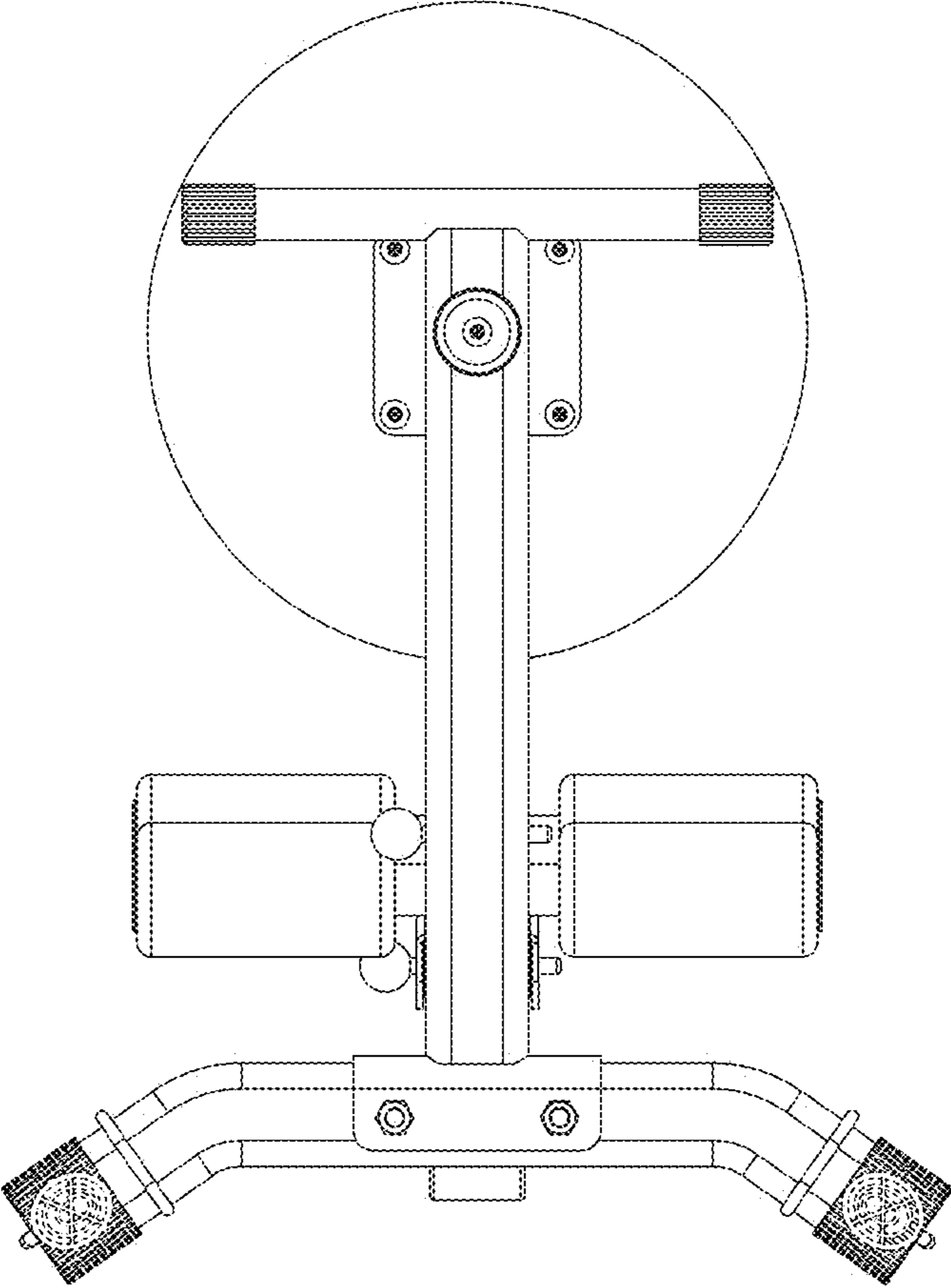


FIG. 2

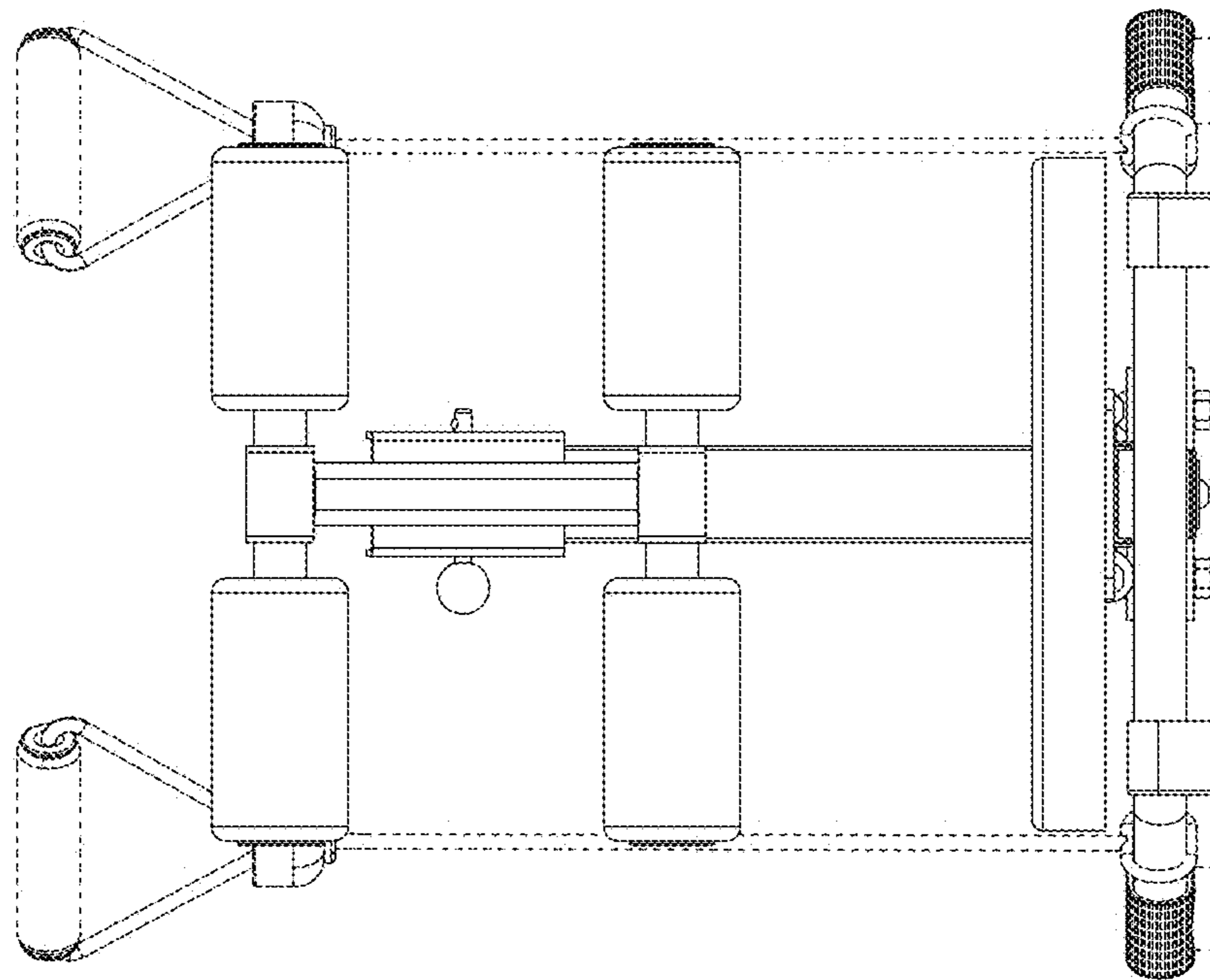


FIG. 3

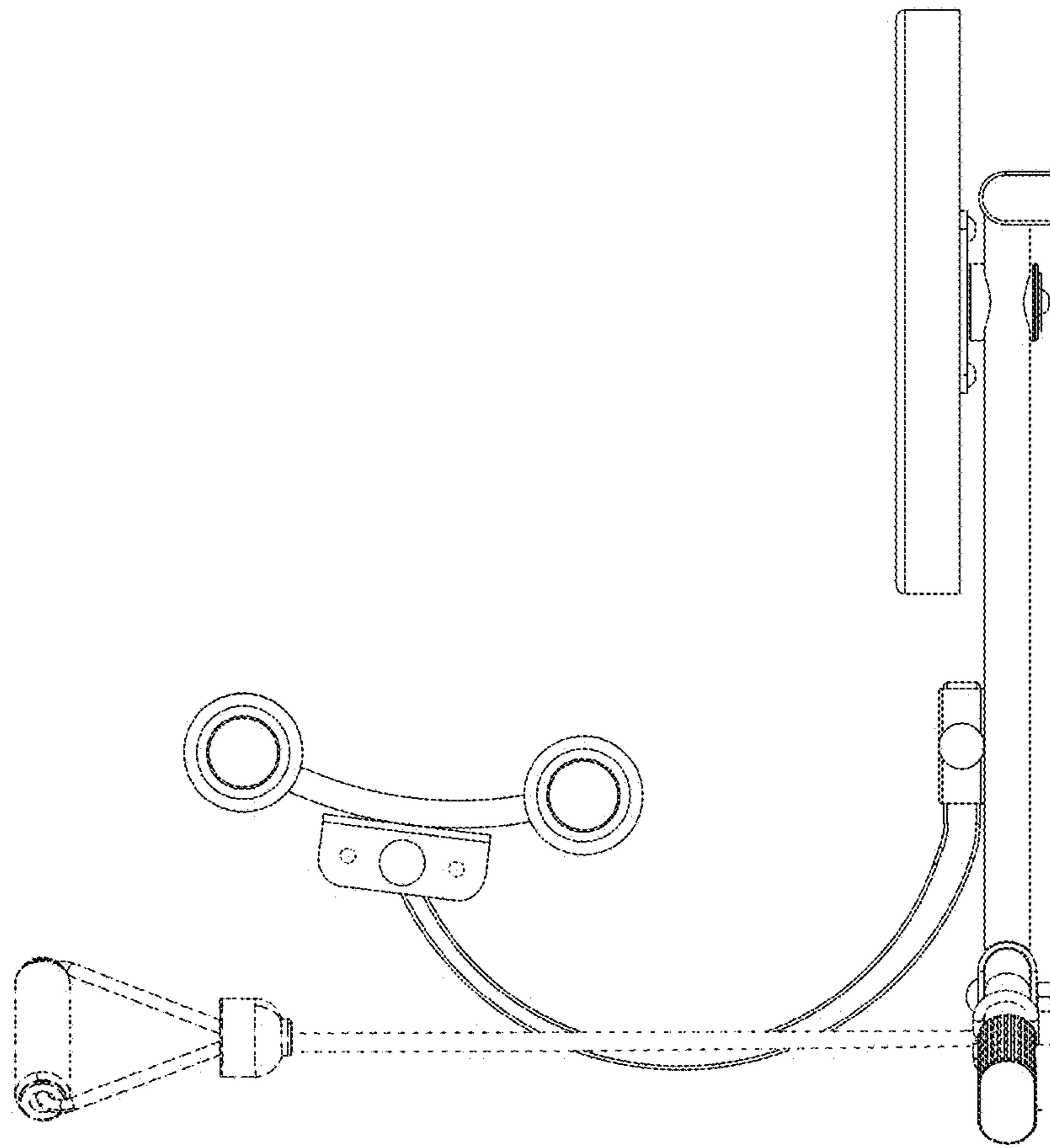


FIG. 4

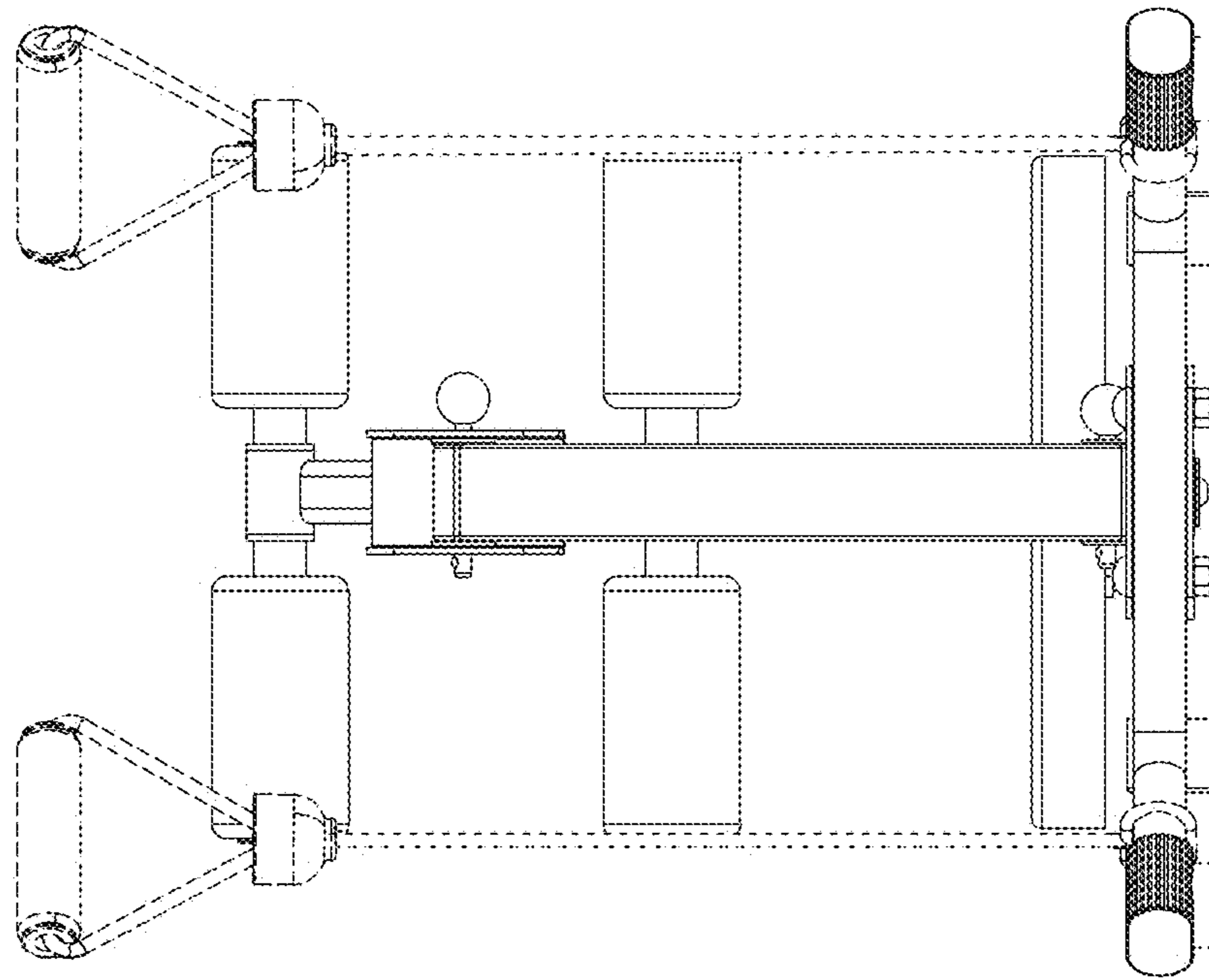


FIG. 5

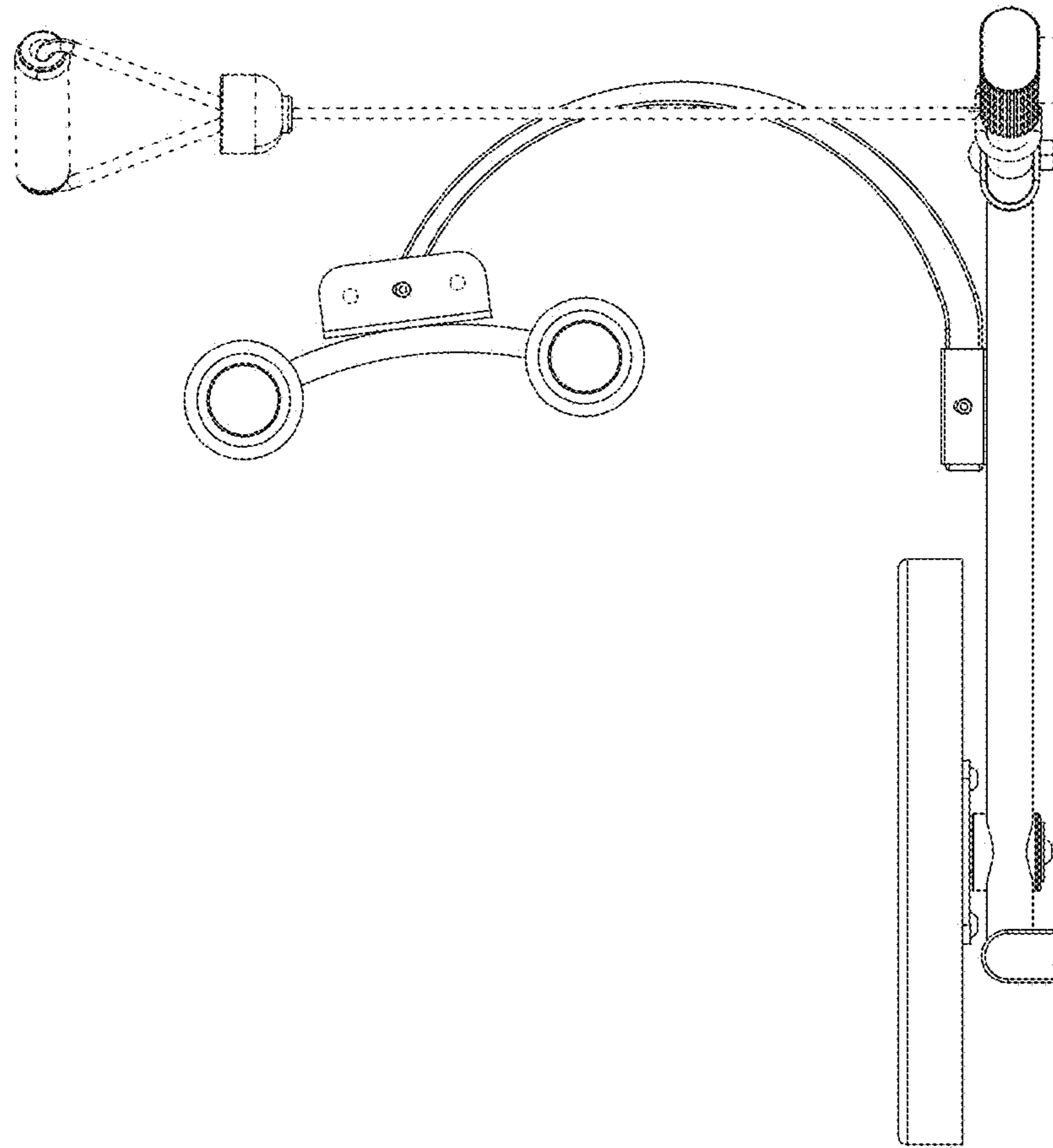


FIG. 6

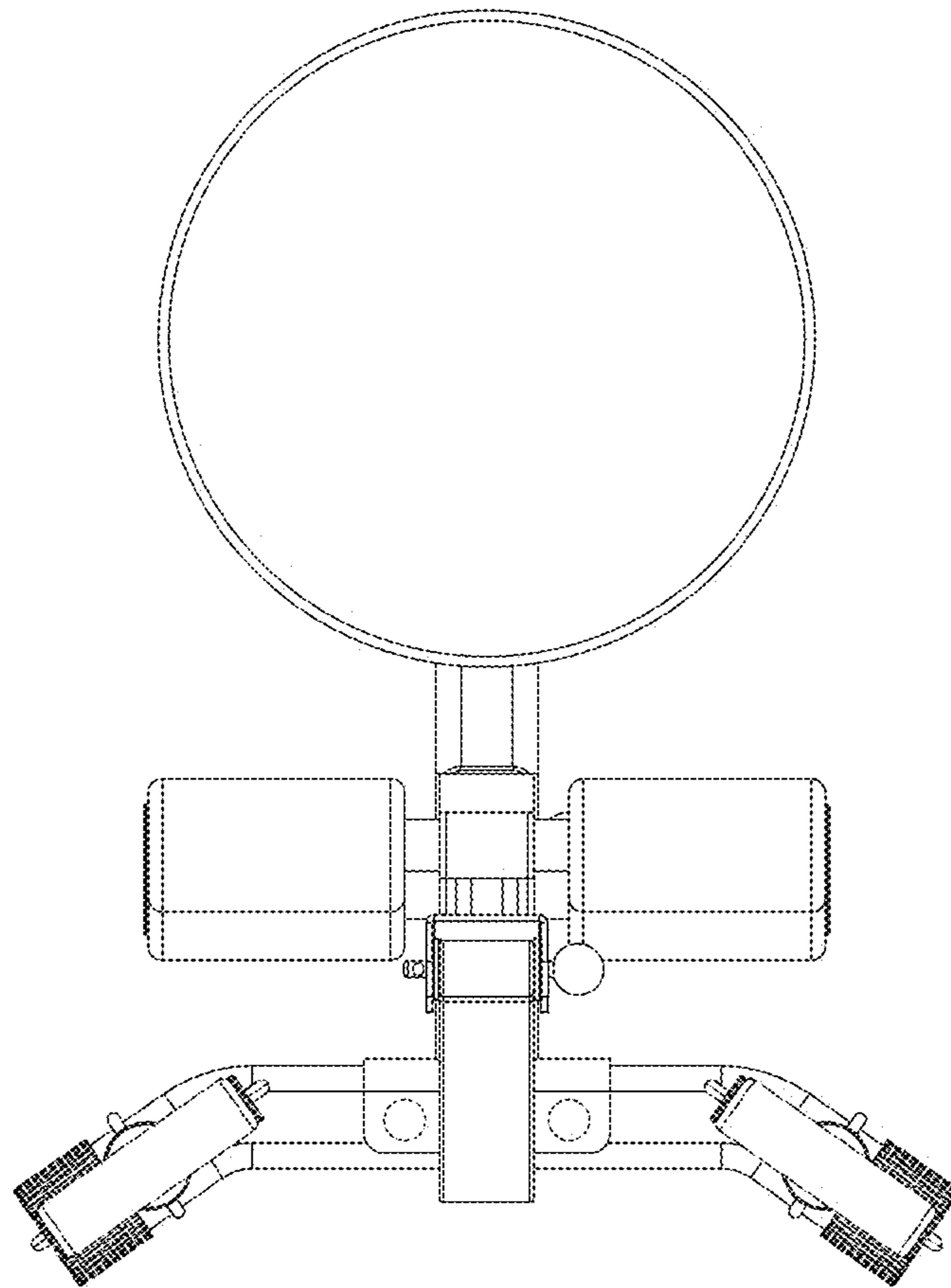


FIG. 7