



US00D919020S

(12) **United States Design Patent**
Jones

(10) **Patent No.:** **US D919,020 S**

(45) **Date of Patent:** **** *May 11, 2021**

(54) **WEIGHT PLATE**

(71) Applicant: **Coulter Ventures, LLC**, Columbus, OH (US)

(72) Inventor: **Dylan Jones**, Santa Barbara, CA (US)

(73) Assignee: **Coulter Ventures, LLC.**, Columbus, OH (US)

(*) Notice: This patent is subject to a terminal disclaimer.

(**) Term: **15 Years**

(21) Appl. No.: **29/672,565**

(22) Filed: **Dec. 6, 2018**

(51) **LOC (13) Cl.** **20-02**

(52) **U.S. Cl.**

USPC **D21/681**; D21/680

(58) **Field of Classification Search**

USPC D12/175, 202, 204, 207, 604; D21/662, D21/680-682, 684; D25/113-118, 138, D25/151

CPC A63B 21/0608; A63B 21/0728; A63B 21/075; A63B 21/06

See application file for complete search history.

(56) **References Cited**

U.S. PATENT DOCUMENTS

D279,495 S	7/1985	Barbeau
5,137,502 A	8/1992	Anastasi
D346,433 S	4/1994	Cooper
D354,322 S	1/1995	Vodhanel, Jr.
D355,007 S	1/1995	Rojas et al.
D394,685 S	5/1998	Eckmann
D405,484 S	2/1999	Rojas et al.
D406,183 S	2/1999	Zovich
D409,266 S	5/1999	Rojas et al.
D409,695 S	5/1999	Rojas et al.
6,014,078 A	1/2000	Rojas et al.
D421,076 S	2/2000	Lincir

D424,140 S	5/2000	Lincir	
D424,639 S	5/2000	Rojas et al.	
D428,947 S *	8/2000	Harms	D21/680
D433,468 S	11/2000	Rojas et al.	
D433,469 S	11/2000	Rojas et al.	
D433,720 S	11/2000	Rojas et al.	
D433,721 S	11/2000	Rojas et al.	

(Continued)

FOREIGN PATENT DOCUMENTS

CN	2512467 Y	9/2002
ES	1038081 U	5/1998

OTHER PUBLICATIONS

BodyRip Premium Pro (2 x 10kg) Olympic Tri-Grip Rubber Plates: Published Mar. 24, 2014 [online], site visited Dec. 1, 2019. Available from Internet URL: https://www.amazon.co.uk/dp/B00J7S8ZGC/ref=cm_sw_r_tw_dp_U_x_Xof5DbXRFZ5AC (Year: 2014).*

(Continued)

Primary Examiner — Michael C Stout

Assistant Examiner — Melvin L Davis

(74) *Attorney, Agent, or Firm* — Banner & Witcoff, Ltd.

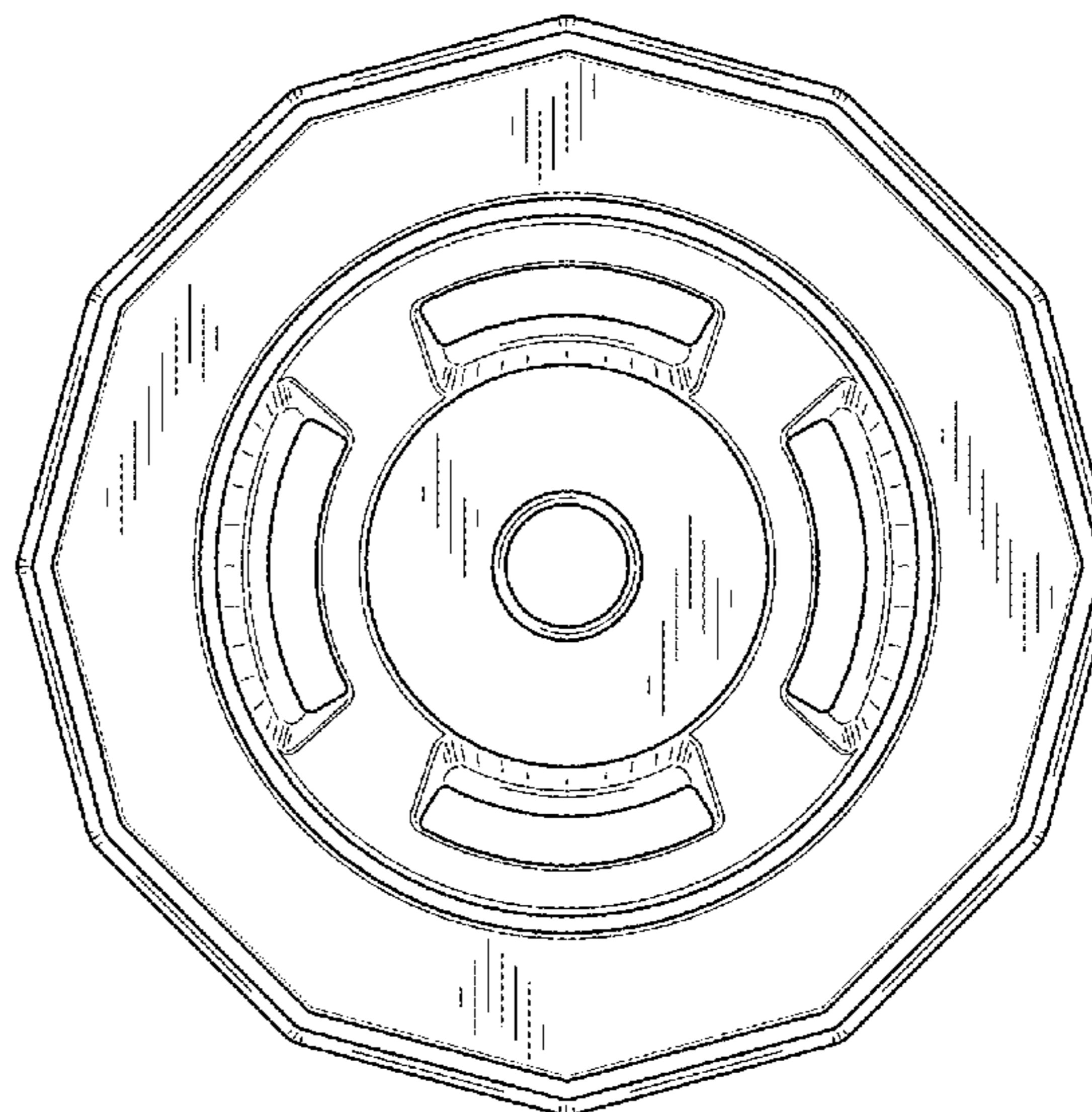
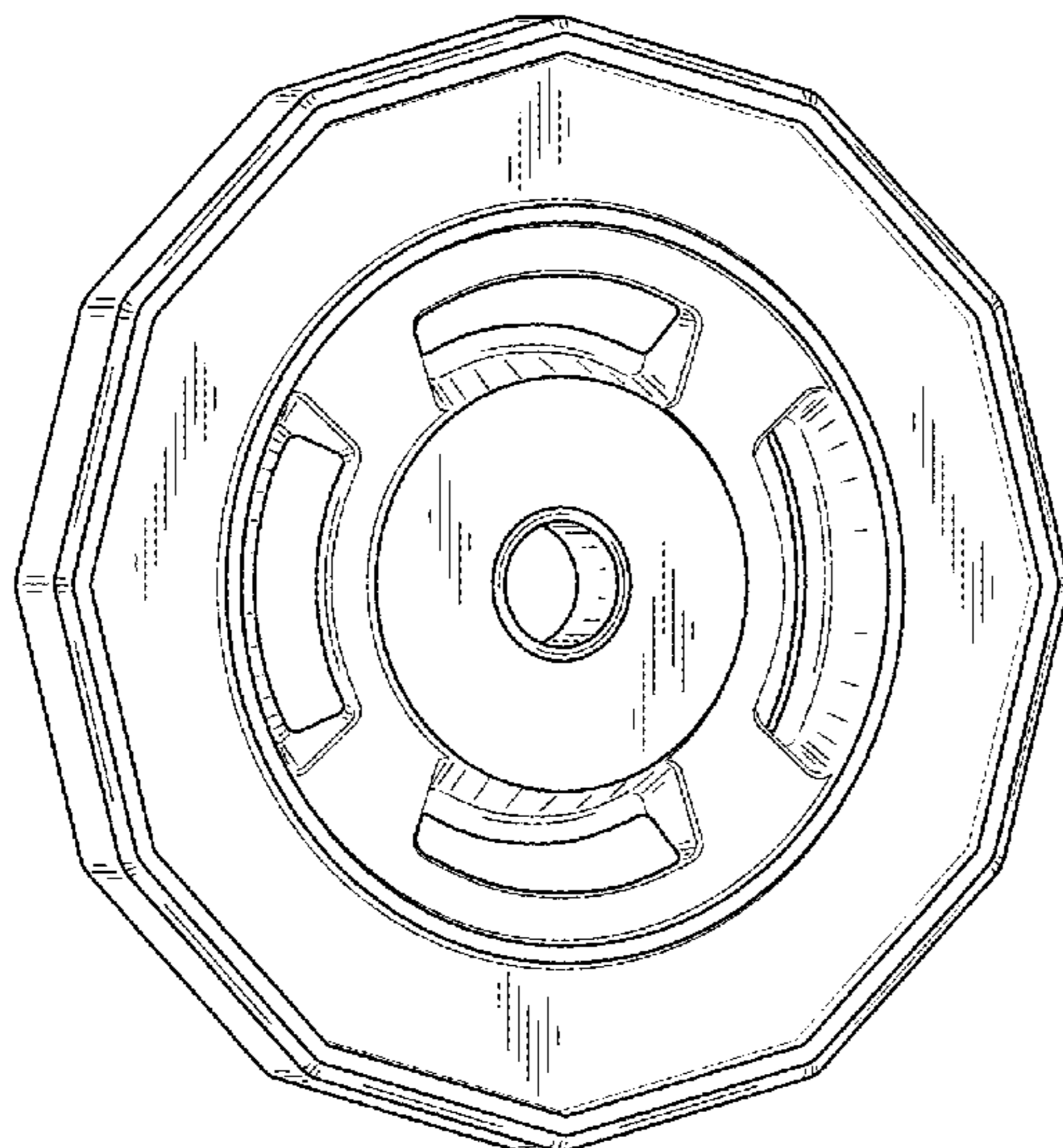
(57) **CLAIM**

The ornamental design for a weight plate, as shown and described.

DESCRIPTION

FIG. 1 is a front perspective view of a weight plate showing my new design;
FIG. 2 is a rear perspective view thereof;
FIG. 3 is a front view thereof;
FIG. 4 is a rear view thereof;
FIG. 5 is a right side view thereof;
FIG. 6 is a left side view thereof;
FIG. 7 is a top view thereof; and,
FIG. 8 is a bottom view thereof.

1 Claim, 3 Drawing Sheets



(56)

References Cited

U.S. PATENT DOCUMENTS

D434,090 S 11/2000 Wallace et al.
 D437,015 S 1/2001 Rojas et al.
 D439,290 S 3/2001 Rojas et al.
 D441,412 S 5/2001 Rojas et al.
 D441,812 S 5/2001 Rojas et al.
 D442,239 S 5/2001 Rojas et al.
 D442,240 S 5/2001 Rojas et al.
 D442,654 S 5/2001 Buchanan
 D445,153 S 7/2001 Lincir
 D445,154 S 7/2001 Lincir
 D445,854 S * 7/2001 Harms D21/680
 D446,265 S 8/2001 Lincir
 D446,559 S 8/2001 Lincir
 D448,055 S 9/2001 Lien et al.
 D450,361 S * 11/2001 Harms D21/680
 D451,158 S 11/2001 Lincir
 D451,159 S 11/2001 Rojas et al.
 D451,160 S 11/2001 Rojas et al.
 6,319,176 B1 * 11/2001 Landfair A63B 21/06
 482/106
 D454,167 S * 3/2002 Lincir D21/680
 6,436,015 B1 8/2002 Frasco et al.
 D463,001 S 9/2002 Buchanan
 D474,517 S * 5/2003 Harms D21/680
 D476,383 S * 6/2003 Chen D21/680
 D483,083 S * 12/2003 Allshouse D21/680
 6,702,723 B2 3/2004 Landfair
 6,736,765 B2 5/2004 Wallace et al.
 6,746,380 B2 * 6/2004 Lien A63B 21/06
 482/106
 D496,414 S 9/2004 Harms et al.
 D502,514 S 3/2005 Buchanan et al.
 6,991,590 B2 1/2006 Vigiano
 D516,639 S 3/2006 Hamilton
 D519,584 S 4/2006 Brice et al.
 7,198,591 B2 4/2007 Lien
 7,207,929 B2 4/2007 Hamilton
 7,300,389 B2 11/2007 Lien et al.
 D562,415 S 2/2008 Xu et al.
 D562,919 S * 2/2008 Hillson D21/680
 D566,207 S 4/2008 Cao
 D566,208 S 4/2008 Alessandri et al.
 D566,209 S 4/2008 Alessandri et al.
 D568,423 S 5/2008 Y'shua et al.
 D572,320 S 7/2008 Davies, III
 D573,207 S 7/2008 Davies, III
 D573,208 S * 7/2008 Davies, III D21/680
 7,517,305 B2 4/2009 Lien
 D606,133 S 12/2009 Lien
 7,704,196 B2 4/2010 Lien et al.
 D615,605 S 5/2010 Frasco et al.
 7,828,702 B2 11/2010 Lien et al.
 D639,874 S * 6/2011 Hillson D21/680
 D643,075 S 8/2011 Childs
 D660,928 S * 5/2012 Guarrasi D21/686
 D662,558 S 6/2012 Lovegrove et al.
 D673,230 S * 12/2012 Qin D21/680
 D684,224 S * 6/2013 Davies, III D21/680
 D688,759 S 8/2013 Davies, III
 D692,969 S * 11/2013 Davies, III D21/680
 D695,128 S 12/2013 Ozsinmaz
 D722,348 S 2/2015 Kessler
 D732,613 S * 6/2015 Davies, III D21/680
 D749,177 S * 2/2016 Childs D21/682
 D751,157 S * 3/2016 Irwin D21/680
 D771,205 S * 11/2016 Davies, III D21/680
 D777,266 S * 1/2017 Davies, III D21/680
 9,682,268 B2 6/2017 Breikreutz et al.
 D798,968 S 10/2017 Lien
 D802,689 S 11/2017 Lien
 10,040,259 B2 8/2018 Lister et al.
 D831,134 S * 10/2018 Hillson D21/686
 D842,399 S * 3/2019 Arceta D21/680
 D842,941 S * 3/2019 Brezovar D21/680
 D851,711 S * 6/2019 Brezovar D21/680

D854,636 S * 7/2019 Nelson D21/680
 D896,901 S * 9/2020 Jones D21/681
 2003/0083179 A1 * 5/2003 Landfair A63B 21/0601
 482/93
 2004/0077466 A1 4/2004 Wallace et al.
 2004/0092370 A1 5/2004 Lincir
 2005/0026754 A1 2/2005 Lien et al.
 2006/0073948 A1 4/2006 Lincir
 2006/0211547 A1 9/2006 Lien
 2006/0293155 A1 12/2006 Hamilton
 2007/0027007 A1 2/2007 Frasco
 2007/0135271 A1 * 6/2007 Lien A63B 21/0724
 482/93
 2007/0142188 A1 6/2007 Lien
 2007/0184943 A1 8/2007 Davies
 2012/0094810 A1 4/2012 Anderson
 2014/0024504 A1 1/2014 Potts et al.
 2017/0149269 A1 5/2017 Rojas et al.

OTHER PUBLICATIONS

Viavito Tri Grip Vinyl Standard Weight Plates: Published Mar. 17, 2016 [online], site visited Dec. 1, 2019. Available from Internet URL: https://www.amazon.co.uk/dp/B01D3U5RXI/ref=cm_sw_r_tw_dp_U_x_epf5Db1B78TVQ (Year: 2016).*

Bodypower 10Kg Tri Grip Vinyl Standard (1 Inch) Weight Disc Plates: Published Jun. 10, 2013 [online], site visited Dec. 1, 2019. Available from Internet URL: https://www.amazon.co.uk/dp/B00E4WH2NS/ref=cm_sw_r_tw_dp_U_x_Fpf5DbMHT60MN (Year: 2013).*

BodyRip Olympic Polygonal Weight Plates: Published Feb. 3, 2015 [online], site visited Dec. 1, 2019. Available from Internet URL: https://www.amazon.co.uk/dp/B00T4GM5W2/ref=cm_sw_r_tw_dp_U_x_ASg5DbMR69J5P (Year: 2015).*

BodyRip Polygonal Weight Plates 1 x 10kg BodyRip: Published Feb. 7, 2014 [online], site visited Dec. 1, 2019. Available from Internet URL: https://www.amazon.co.uk/dp/B00IARARQAWW/ref=cm_sw_r_tw_dp_U_x_5lf5DbXR685AX (Year: 2014).*

Product listing for CAP 12-sided Olympic Rubber Coated Grip Plate from <https://web.archive.org/web/20170621232634/http://capbarbell.com/cap-barbell-12-sided-2-rubber-grip-plate/>, dated Jun. 21, 2017.

Product listing for Rogue 6-Shooter Urethane Olympic Grip Plates from <https://web.archive.org/web/20170714033025/http://www.roguefitness.com:80/rogue-6-shooter-urethane-olympic-grip-plates>, dated Jul. 14, 2017.

CAP Barbell Weight Plates listing from <https://web.archive.org/web/20180103173524/http://capbarbell.com/strength/weight-plates>, dated Jan. 3, 2018.

Ignite by Spri Weight Plates: Published 2017[online], site visited Dec. 1, 2019. Available from Internet Url: https://www.amazon.com/dp/B001F1Y1G/ref=cm_sw_r_tw_dp_U_x_MSN7DbQ7T67HB (Year: 2017).

Body Solid Rubber Grip Olympic Weight Plates (ORST255) Body-solid: Published Feb. 2, 2009 [online], site visited Dec. 1, 2019. Available from Internet URL: https://www.amazon.com/dp/B001FIY17C/ref=cm_sw_r_tw_dp_U_x_MSN7DbQ7T67H8 (Year: 2009).

Product listing for 2 Deep Dish Olympic Weight Plates, from <<https://yorkbarbell.com/productideep-dish-olympic-plate>>, dated Jul. 7, 2020.

Product listing for Apollo Athletics Deep Dish Olympic Plates, from <https://www.showmeweights.com/apollo-athletics-deep-dish-olympic-plates.html>, dated Jul. 7, 2020.

Photo of Olympic Standard Barbell Weight Plates, from https://Jwww.picclicking.com/d/1400/pict/132810172419/_Olympic-Standard-Barbell-Vintage-Deep-Dish-Weight-Platesjpg, dated Jul. 7, 2020.

(56)

References Cited

OTHER PUBLICATIONS

Product listing for 2 Hole Olympic Weights and Hampton Olympic Bars, from <<https://www.google.com/url?sa=i&url=http%3A%2F%2Fwww.shoppok.com%2Ftoledo%2Fa%2C39%2C138616%2C2-hole-Olympic-Weights-and-itm&psig=A0vVaw1beWONv1j4x1164WvSomVK&ust=1592656917597000&source=images&cd=vfe&ved=0CAIQjRxqFwoTCMDE38HzjeoCFQAAAAAdAAAAABAJ>>, dated Jul. 7, 2020.

Photo of York Olympic Standard Barbell Weight Plates, from <https://external-preview.redd.it/GeIL3ODNpQ8Rv7Xu1v1zNyPzFSSdljn9crrZ4i5T5-4.jpg?auto=webp&s=d87da24a6c3837e0e90f9c88b366c7781fb9f150>, dated Jul. 7, 2020.

A Guide to Buying Steel Powerlifting Plates & Discs, from <https://www.garage-gyms.com/steel-powerlifting-weight-plates-discs-guide-review/>, dated Nov. 16, 2017.

Photo of York Barbell Weight Plates, from https://i.ebayimg.com/00/s/OTQzWDE2MDA=iz/FkEAAOSwi-deOkZfa_3.JPG?set_id=8800005007, dated Jul. 7, 2020.

Photo of York Olympic Standard Barbell Weight Plate, from https://www.piclicking.com/d/1400/pict/162970072869_/245-lbs-Vintage-Deep-Dish-York-made-in-USA-Olympic_jpg, dated Jul. 7, 2020.

Screen capture of Rogue Elephant Bar Deadlift—Full Live Stream | Arnold Strongman Classic 2020, from <https://www.youtube.com/watch?v=CuYsT9GeUmc&feature=emb_rel_pause>, dated Mar. 7, 2020.

* cited by examiner

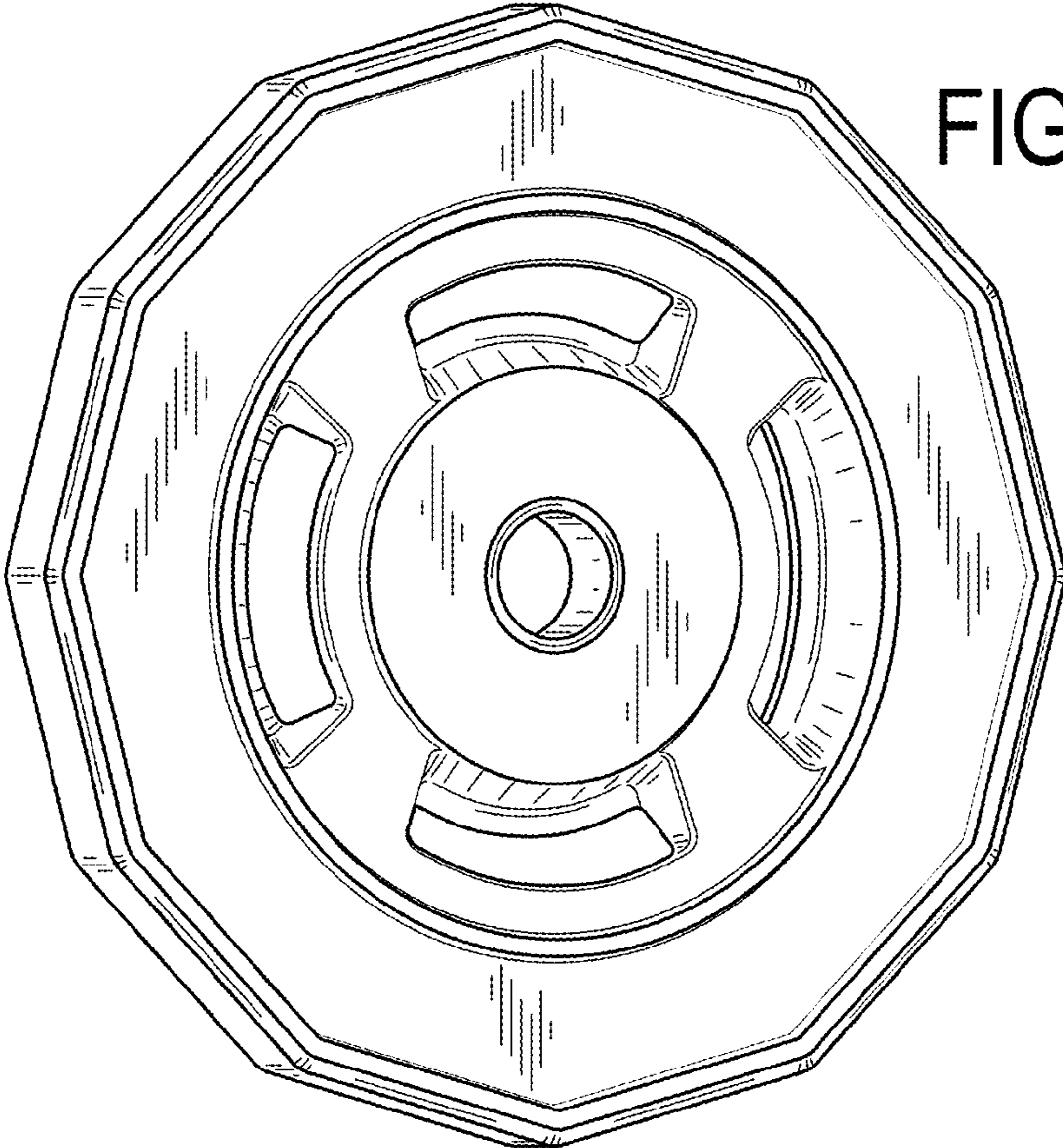


FIG. 1

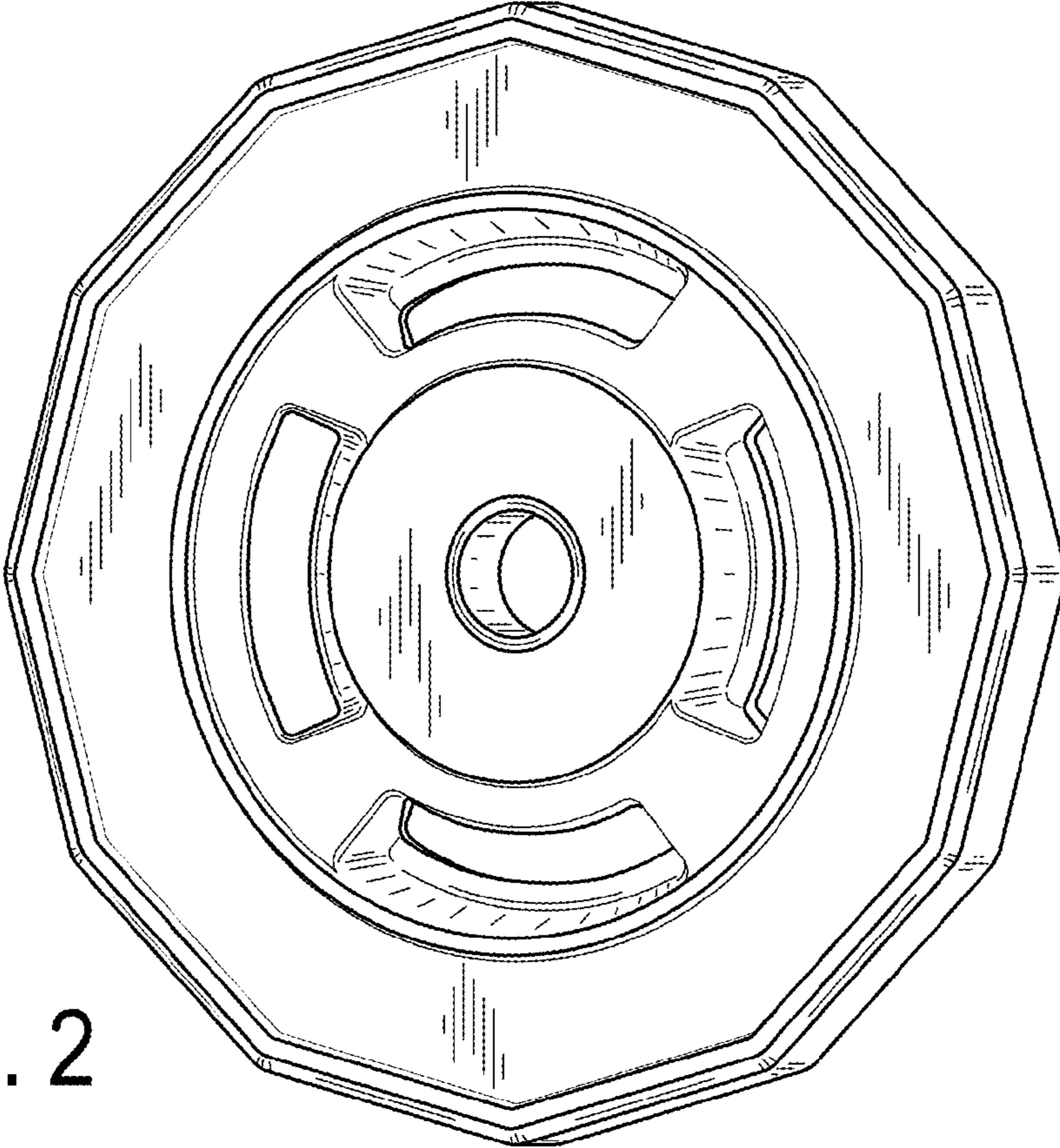


FIG. 2

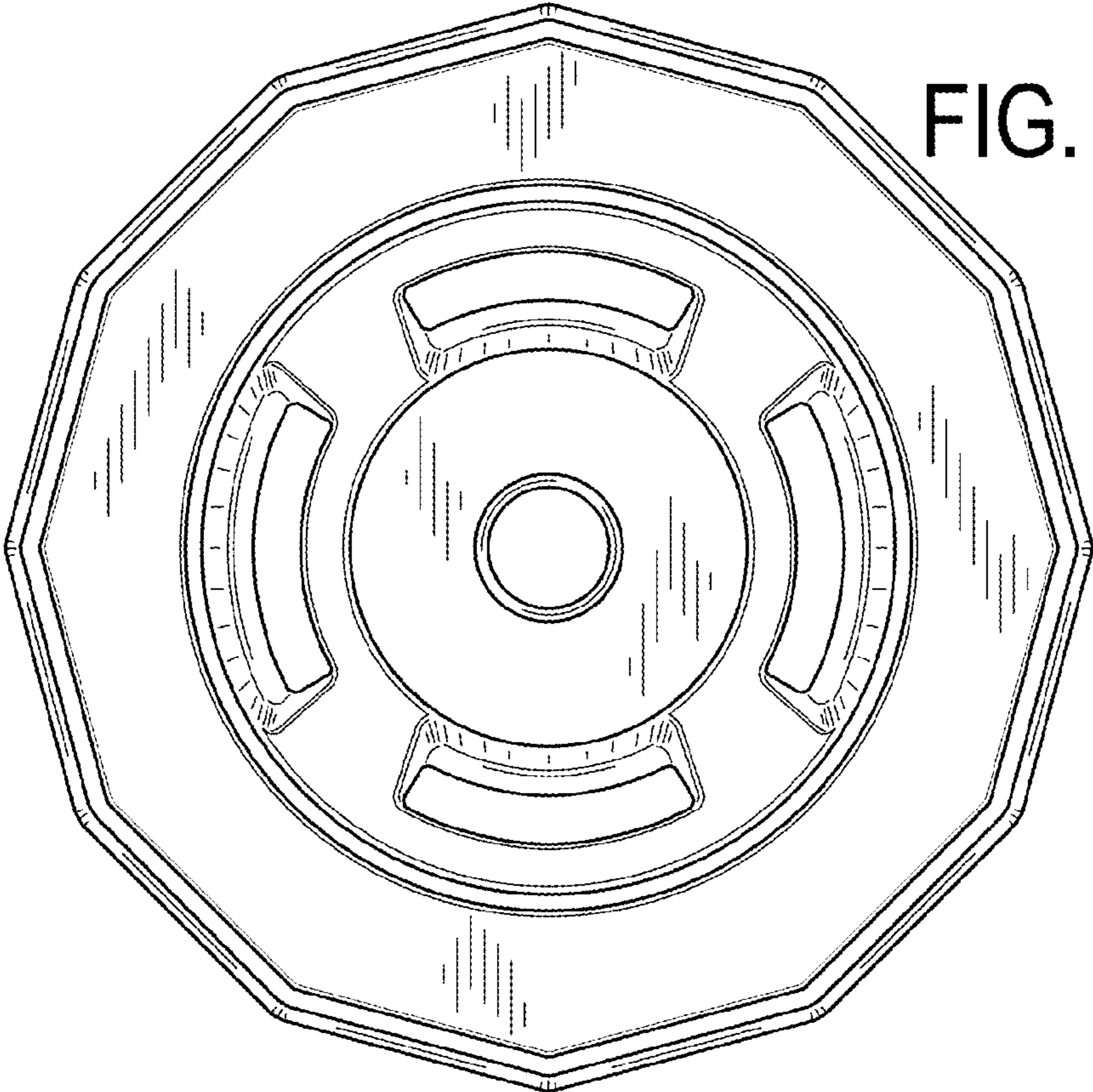


FIG. 3

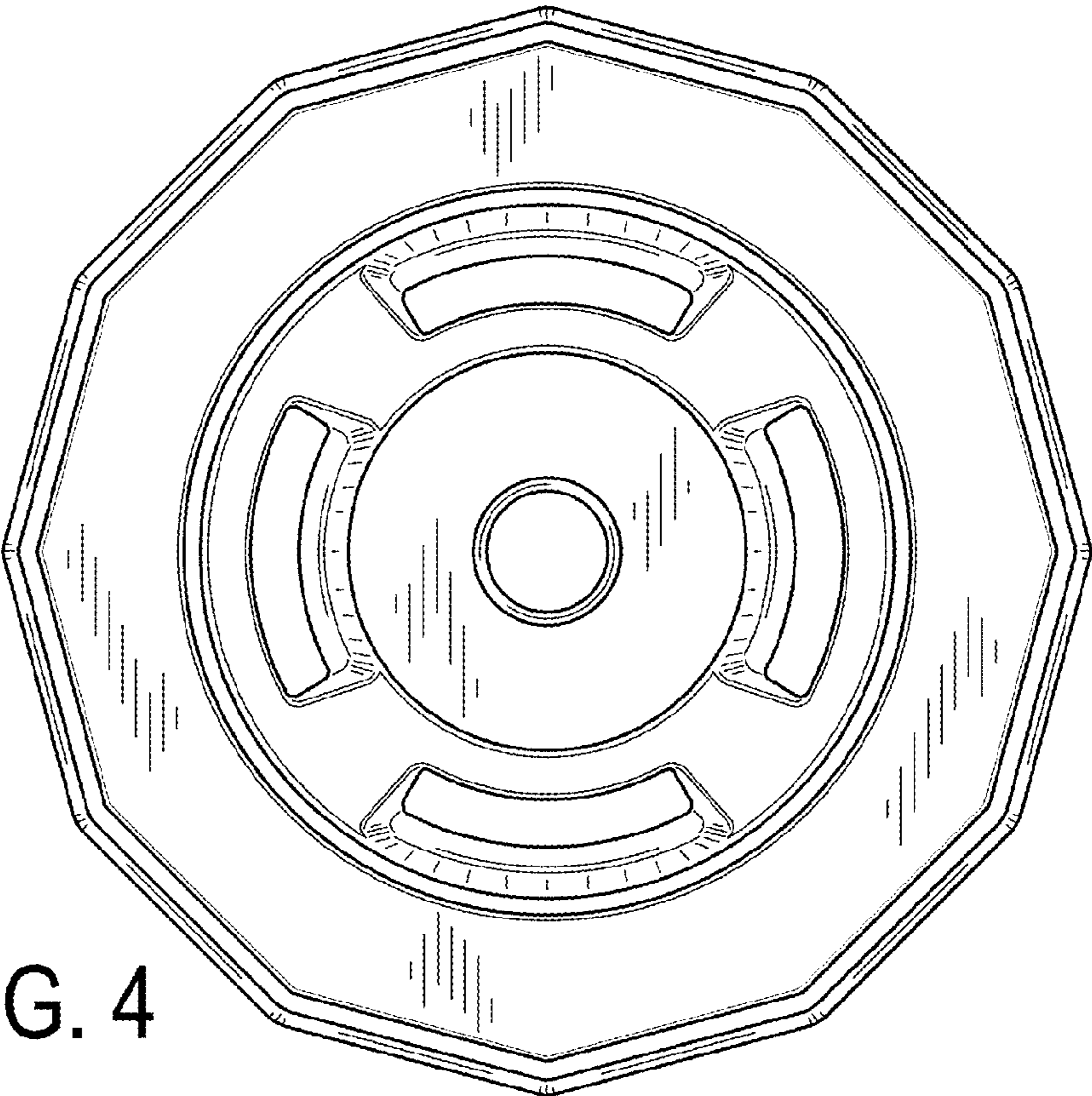


FIG. 4

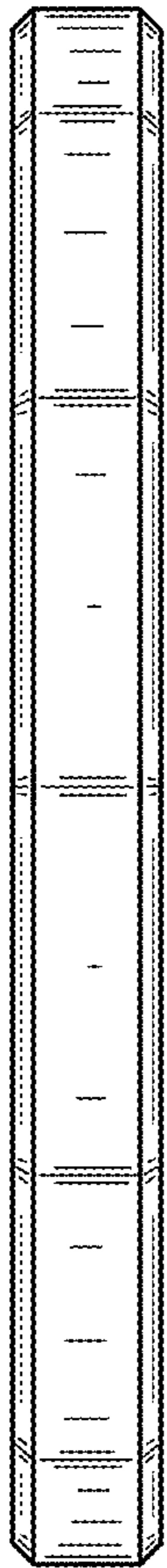


FIG. 5

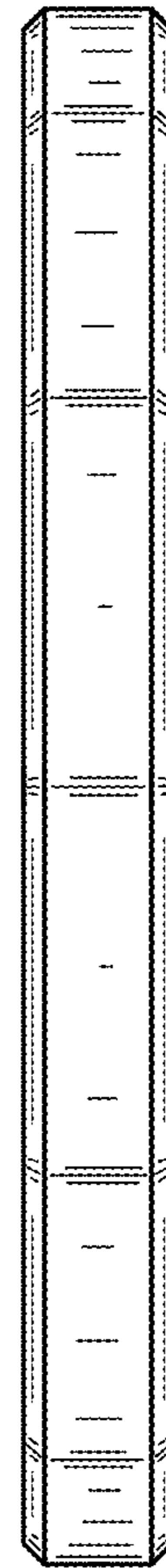


FIG. 6

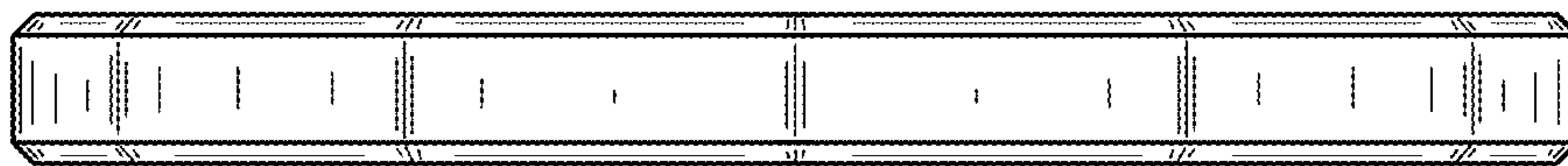


FIG. 7

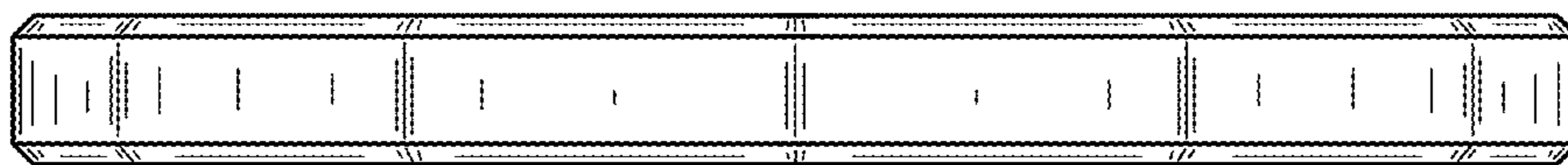


FIG. 8