



US00D919018S

(12) **United States Design Patent** (10) **Patent No.:** **US D919,018 S**
Kuka (45) **Date of Patent:** **** *May 11, 2021**

(54) **TRAP BAR**
(71) Applicant: **Jared Kuka**, Chattanooga, TN (US)
(72) Inventor: **Jared Kuka**, Chattanooga, TN (US)

D284,930 S * 8/1986 Richards D8/70
D317,641 S * 6/1991 Gerard D21/682
D320,249 S * 9/1991 Gerard D21/682
5,725,461 A * 3/1998 Bogard, II A63B 21/072
482/106

(Continued)

(73) Assignee: **MoveStrong Functional Fitness Equipment, LLC**, Charleston, SC (US)

OTHER PUBLICATIONS

(*) Notice: This patent is subject to a terminal disclaimer.

MoveStrong by Move Strong dated Apr. 13, 2015. Found online [Apr. 16, 2019] <https://www.youtube.com/watch?v=BxJy-AqZGsE>.*

(**) Term: **15 Years**

Primary Examiner — Ryan Harvey

(21) Appl. No.: **29/647,591**

(74) *Attorney, Agent, or Firm* — Patterson Intellectual Property Law, PC; Ryan D. Levy

(22) Filed: **May 14, 2018**

(57) **CLAIM**

(51) **LOC (13) Cl.** **21-02**

What is claimed is the ornamental design for a trap bar, as shown and described.

(52) **U.S. Cl.**

USPC **D21/679**

DESCRIPTION

(58) **Field of Classification Search**

USPC D21/680, 682, 681, 678, 662, 679, 684, D21/686, 801, 694, 683; 173/102, 103, 173/118, 126, 133; 482/108, 93, 110, 482/111, 105, 8, 107, 106, 139, 94, 104, 482/140, 109, 51, 70, 74, 98, 1, 121, 55; D9/680, 629, 456; D8/85, 45, 107, 90, D8/317, 387, 397, 343, 31, 75, 14; D11/81, 91, 56, 80, 7, 52, 14, 201; D12/215

CPC A63B 21/4035; A63B 21/0552; A63B 23/0211; A63B 21/0728; A63B 21/075; A63B 21/072

See application file for complete search history.

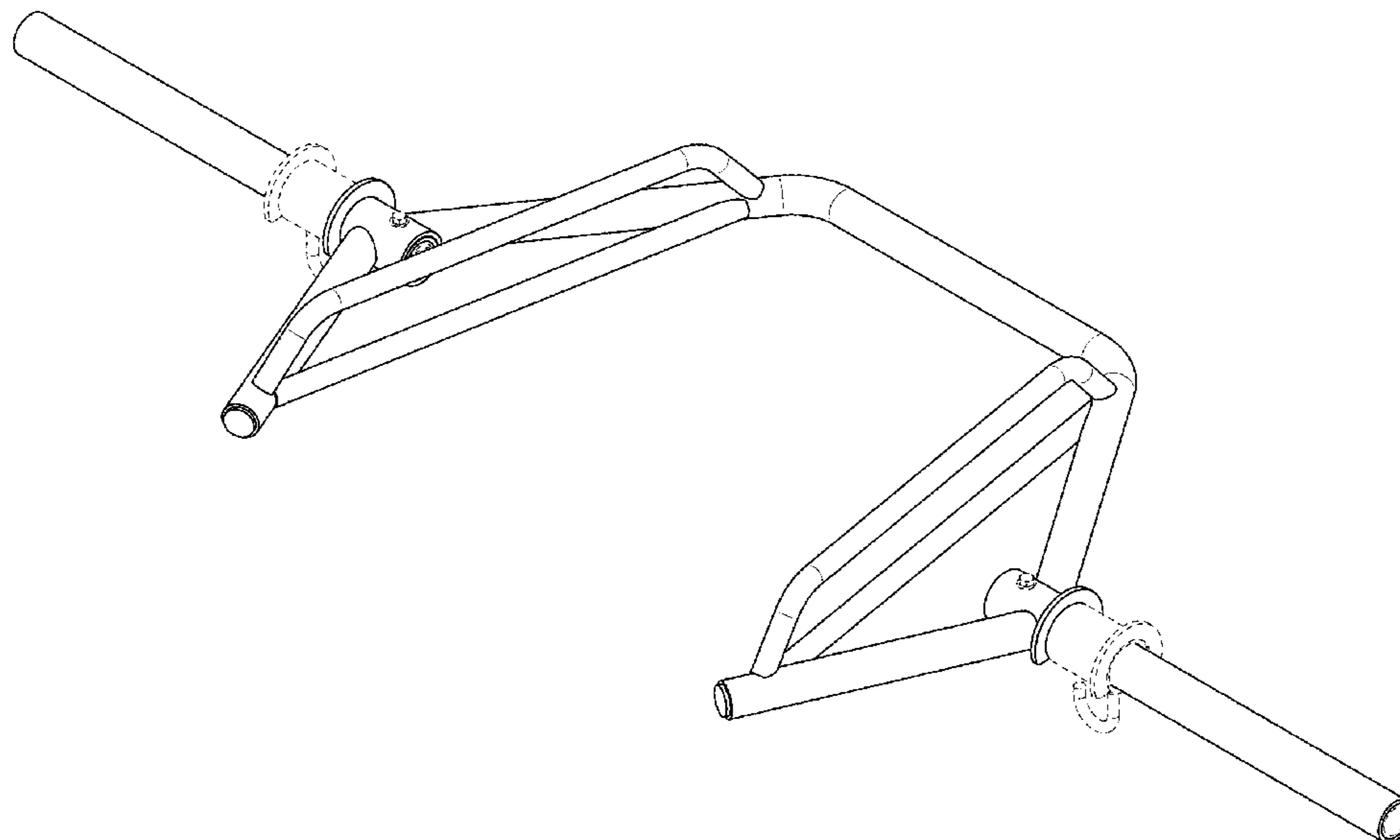
FIG. 1 is a top perspective view of the trap bar of Applicant's invention.
FIG. 2 is a bottom perspective view of the trap bar of Applicant's invention.
FIG. 3 is a top view of the trap bar of Applicant's invention.
FIG. 4 is a bottom view of the trap bar of Applicant's invention.
FIG. 5 is a rear view of the trap bar of Applicant's invention.
FIG. 6 is a front view of the trap bar of Applicant's invention.
FIG. 7 is a side view of the trap bar of Applicant's invention.
FIG. 8 is a side view of the trap bar of Applicant's invention.
FIG. 9 is an exploded view of the trap bar of Applicant's invention; and,
FIG. 10 is an exploded view of the trap bar of Applicant's invention.
The broken line showing of portions of the trap bar depicts environment and forms no part of the claim.

(56) **References Cited**

U.S. PATENT DOCUMENTS

4,018,442 A * 4/1977 Galler A63B 21/0724
482/106
D261,788 S * 11/1981 Burns D21/682

1 Claim, 6 Drawing Sheets



(56)

References Cited

U.S. PATENT DOCUMENTS

6,004,245 A * 12/1999 Boos A63B 21/072
482/106
D433,468 S * 11/2000 Rojas D21/680
D437,015 S * 1/2001 Rojas D21/679
8,556,781 B1 * 10/2013 Fitzpatrick A63B 21/0724
482/106
8,951,170 B1 * 2/2015 Tayo A63B 21/0724
482/107
9,254,408 B1 * 2/2016 Otto A63B 21/055
D776,209 S * 1/2017 Gilbert D21/683
9,889,330 B2 * 2/2018 Mann A63B 21/0724
D845,404 S * 4/2019 Kuka D21/679
2006/0040802 A1 * 2/2006 Vittone A63B 21/0724
482/106
2017/0106226 A1 * 4/2017 Mann A63B 21/0724

* cited by examiner

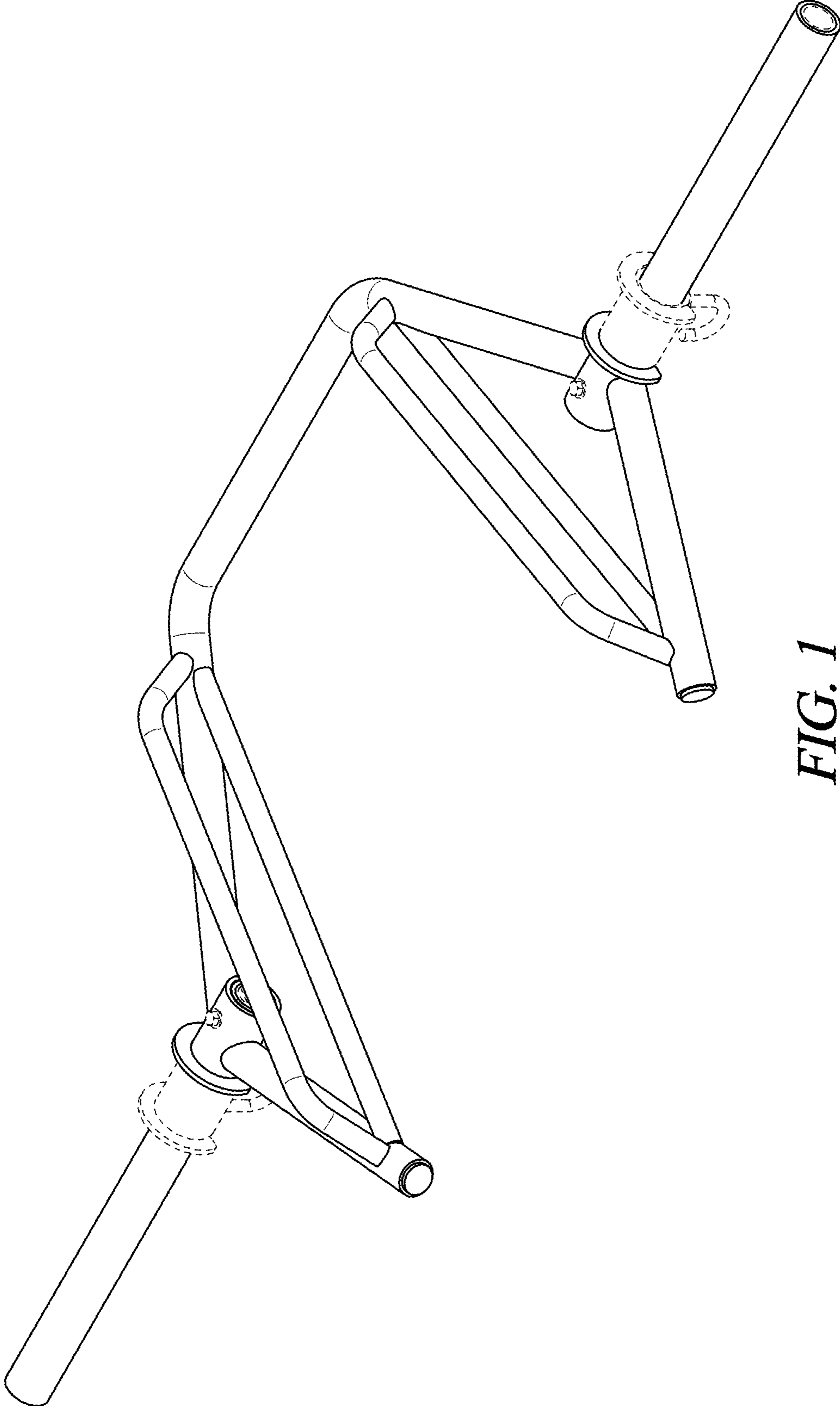


FIG. 1

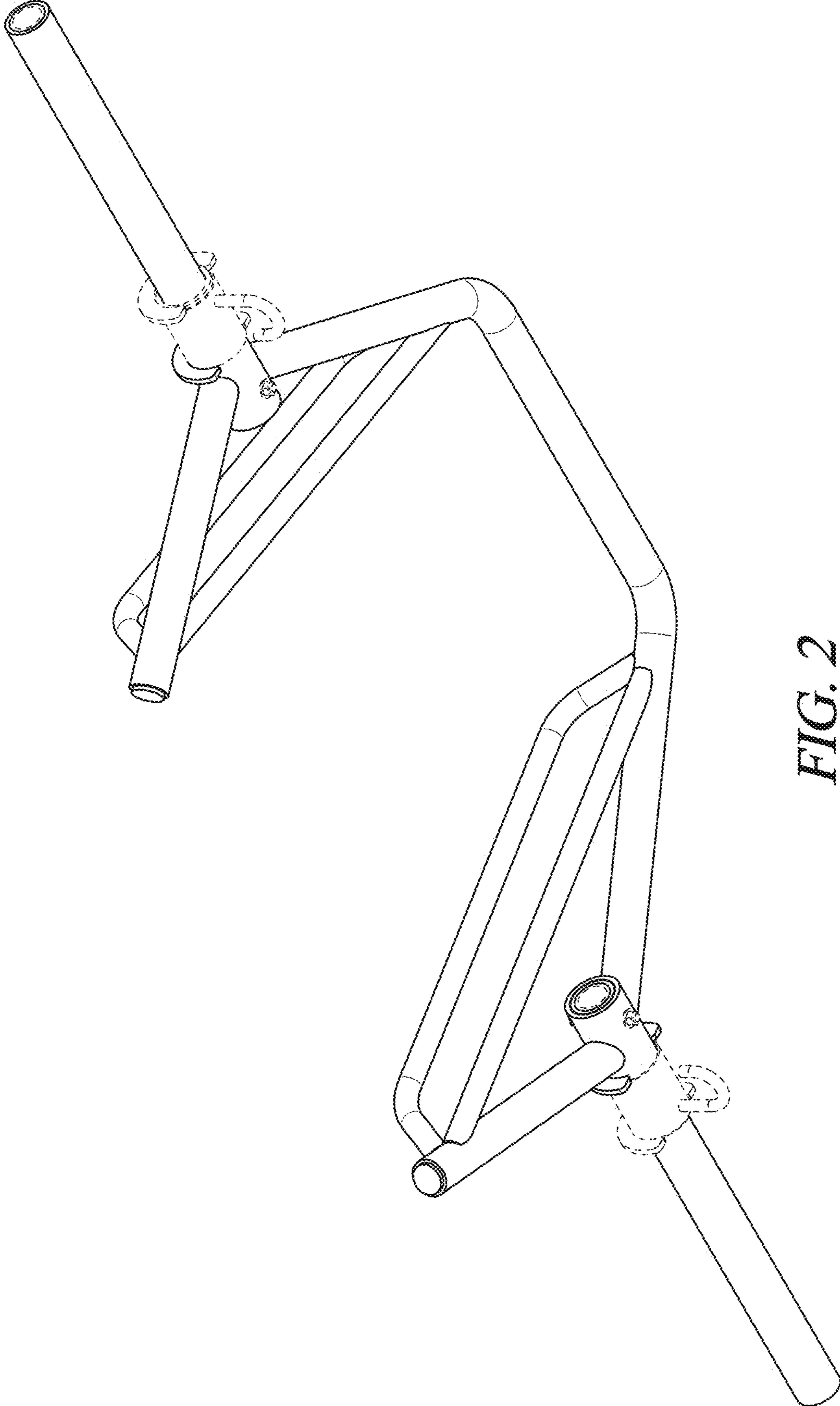


FIG. 2

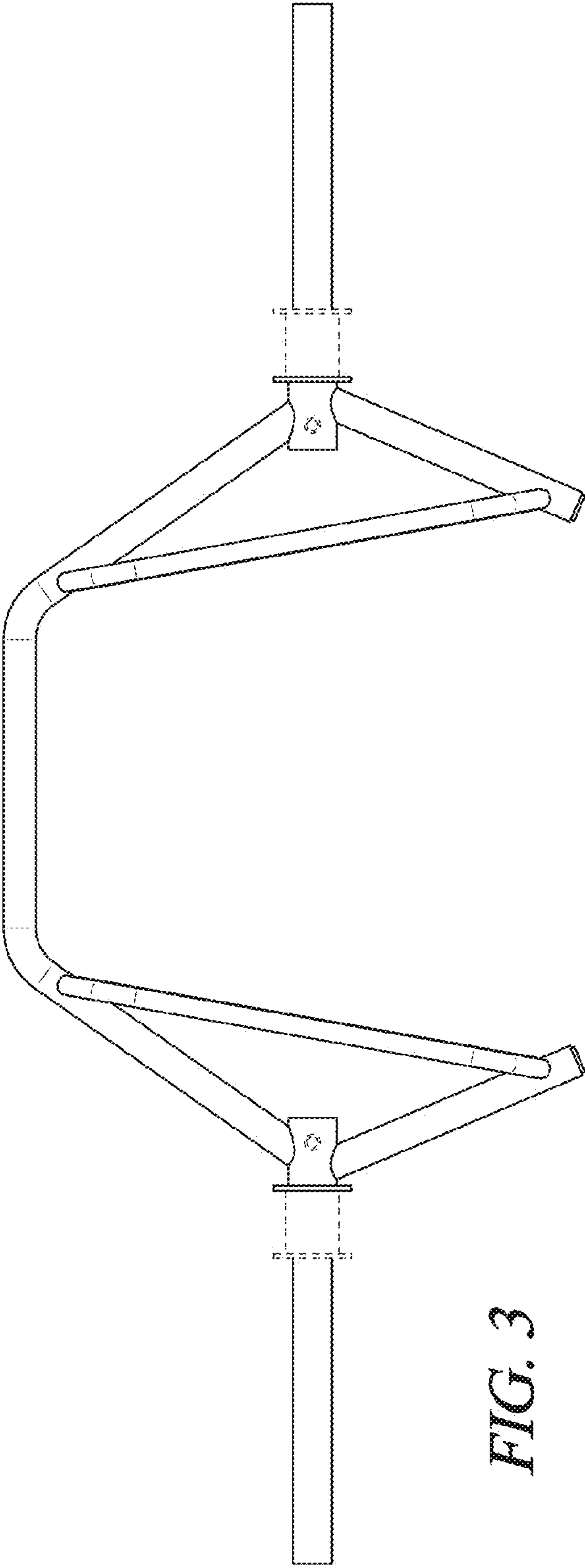


FIG. 3

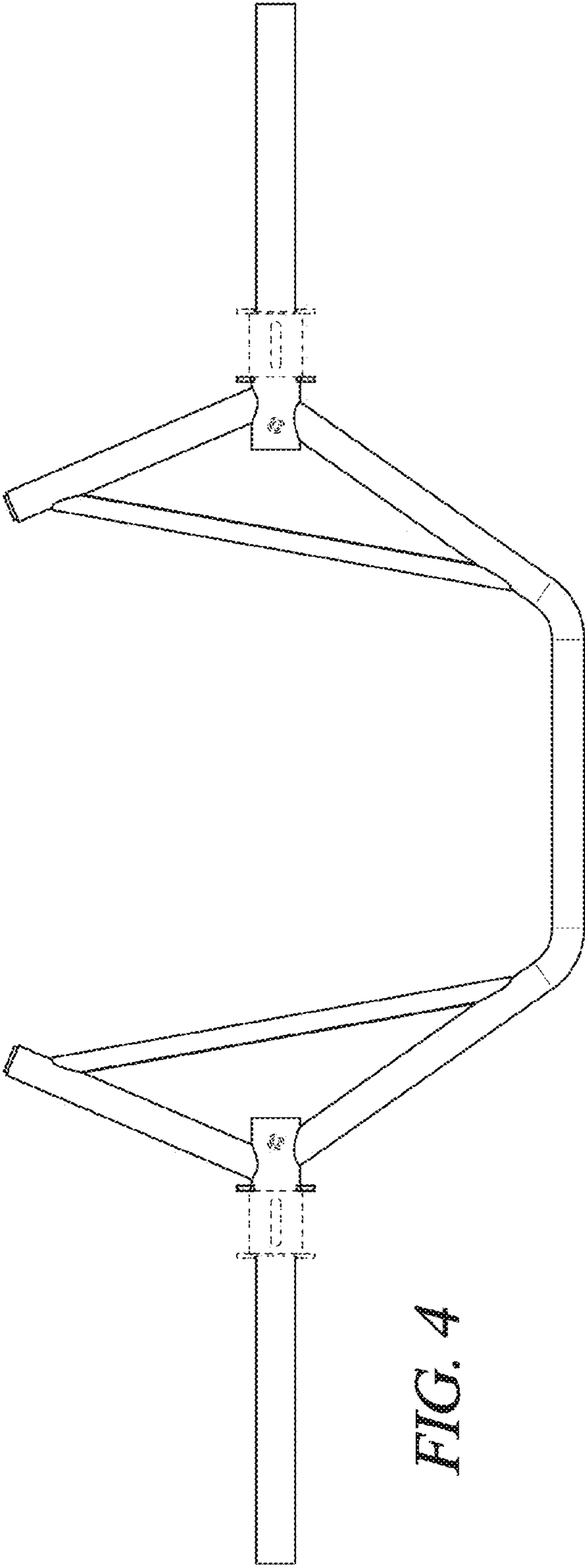


FIG. 4

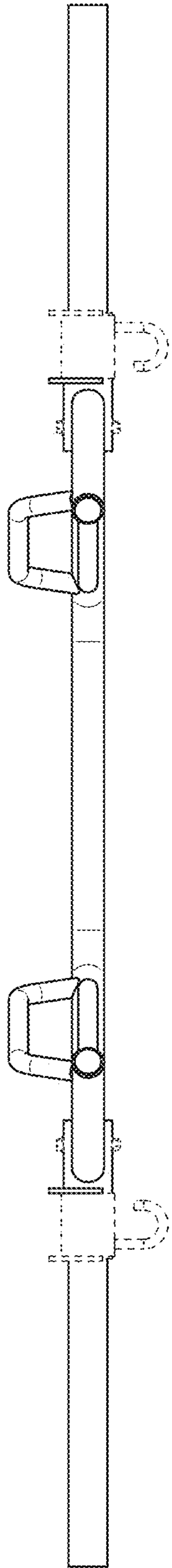


FIG. 5

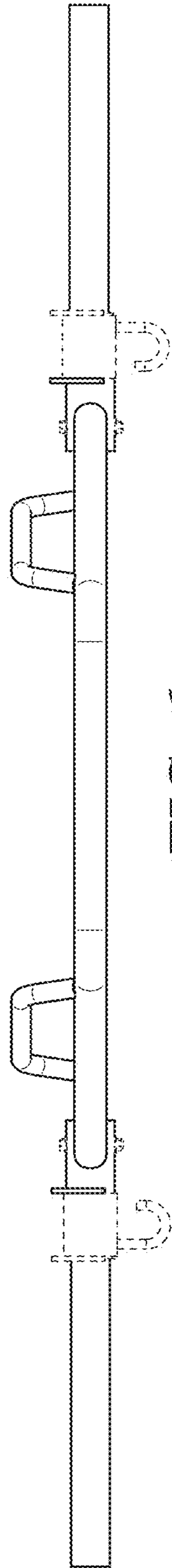


FIG. 6

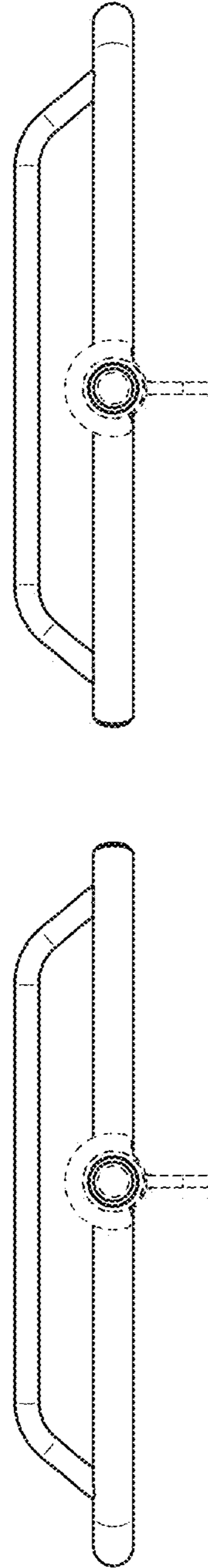


FIG. 7

FIG. 8

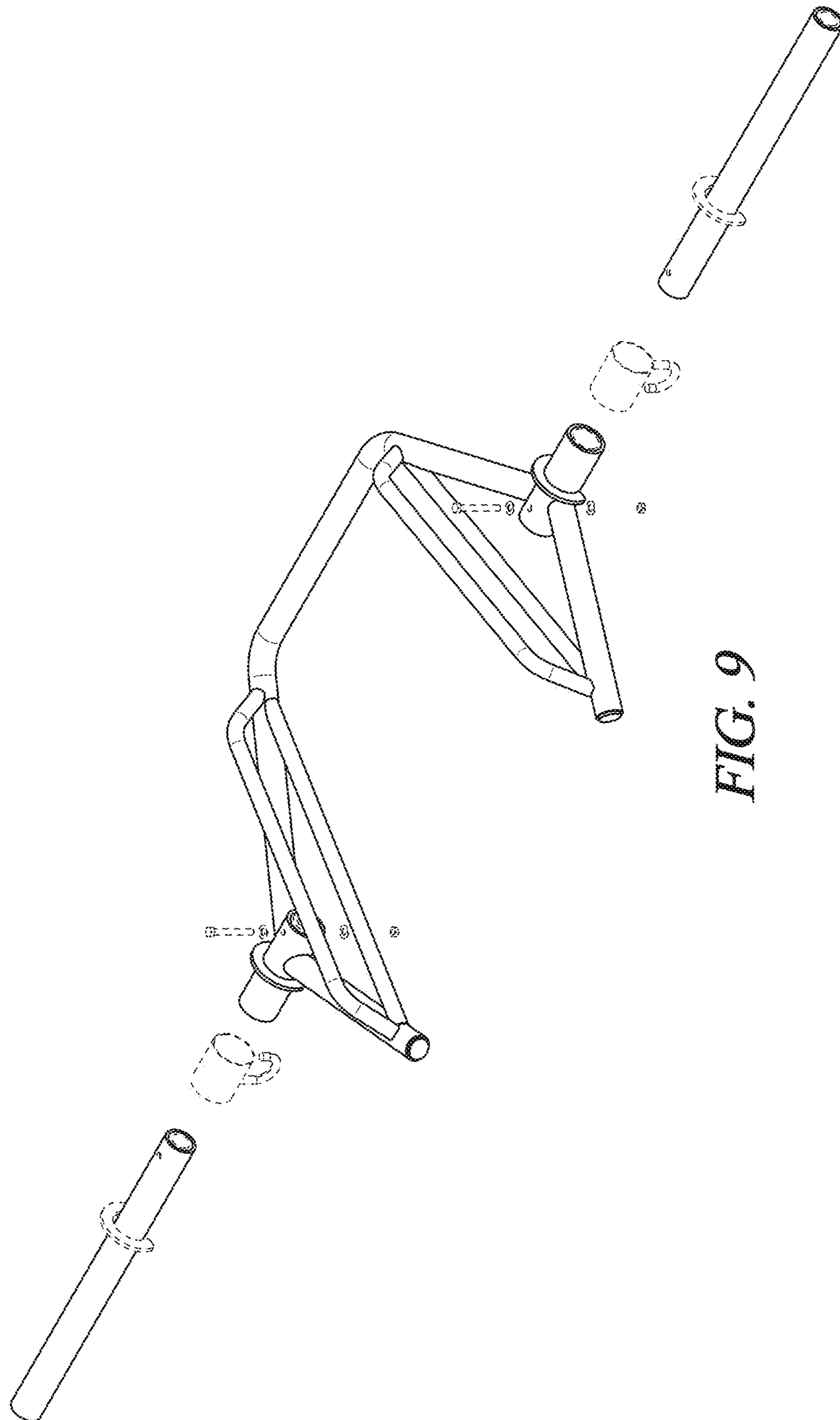


FIG. 9

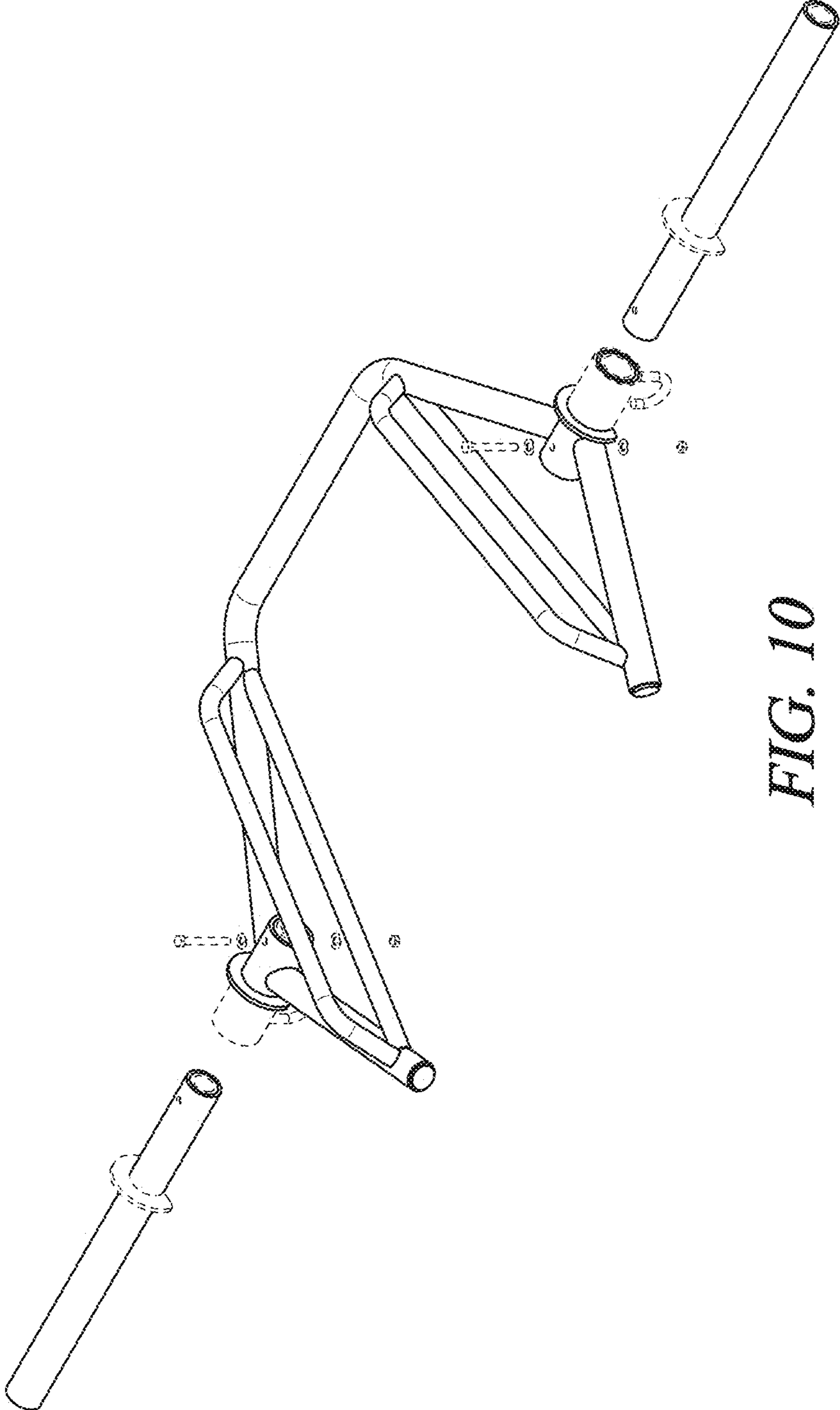


FIG. 10