



US00D919017S

(12) **United States Design Patent** (10) **Patent No.:** **US D919,017 S**
Henniger et al. (45) **Date of Patent:** **** May 11, 2021**

(54) **PULLEY HOUSING**

FOREIGN PATENT DOCUMENTS

(71) Applicant: **Coulter Ventures, LLC.**, Columbus, OH (US)

EP 2345459 A1 7/2011
EP 3295998 A1 3/2018

(Continued)

(72) Inventors: **Bill Henniger**, Columbus, OH (US);
Nash Dunahay, Blacklick, OH (US)

OTHER PUBLICATIONS

(73) Assignee: **Coulter Ventures, LLC.**, Columbus, OH (US)

Photo from <<https://web.archive.org/web/20170112075250/https://mydynamicfitness.com>>, dated Jan. 12, 2017.

(Continued)

(**) Term: **15 Years**

Primary Examiner — Ryan Harvey

(21) Appl. No.: **29/746,754**

(74) *Attorney, Agent, or Firm* — Banner & Witcoff, Ltd.

(22) Filed: **Aug. 17, 2020**

Related U.S. Application Data

(63) Continuation of application No. 29/667,935, filed on Oct. 25, 2018, now Pat. No. Des. 893,639.

(51) **LOC (13) Cl.** **21-02**

(52) **U.S. Cl.**

USPC **D21/673**

(58) **Field of Classification Search**

USPC D21/673, 662, 694, 753, 686, 679, 691, D21/680, 682, 696; 482/129, 102, 92, 482/93, 94, 99, 101, 103, 121, 904, 141, 482/138, 139, 98, 106, 41; D30/162; 294/1.4; 248/223.41, 225.11; D6/546, D6/548; D8/360, 356, 14, 75, 83; 254/390, 409, 124, 130, 131, 30; D14/204; 173/90, 91, 132, 118, 130, 173/128; 463/47.6; 215/379, 396;

(Continued)

(56) **References Cited**

U.S. PATENT DOCUMENTS

325,435 A 9/1885 North
723,625 A 3/1903 Thornley
2,067,403 A 1/1937 Lea

(Continued)

(57) **CLAIM**

The ornamental design for a pulley housing, as shown and described.

DESCRIPTION

FIG. 1 is a top, front, left perspective view of a pulley housing showing our new design with selected features disclaimed;

FIG. 2 is a front view thereof;

FIG. 3 is a rear view thereof;

FIG. 4 is left side view thereof;

FIG. 5 is a right side view thereof;

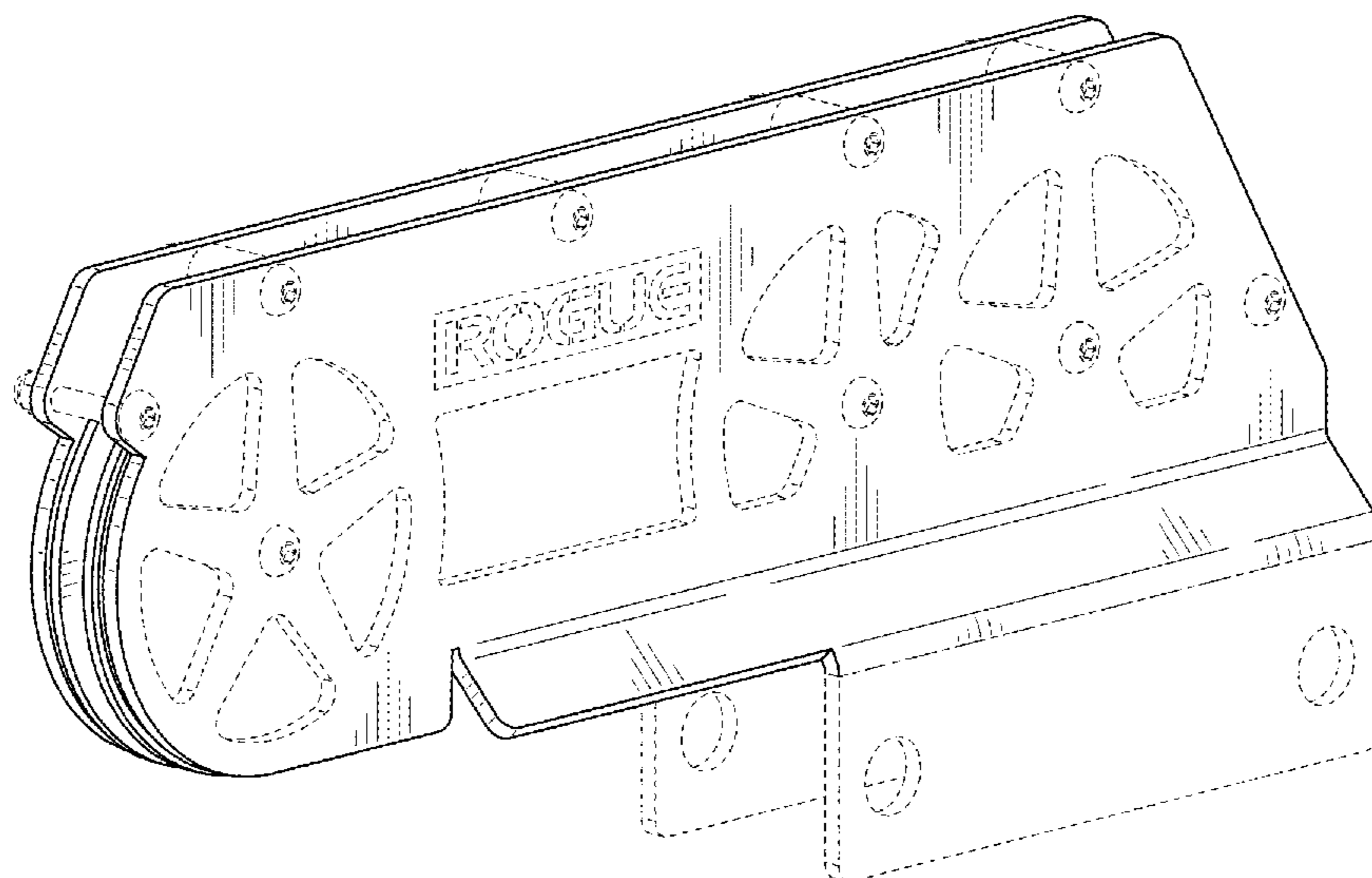
FIG. 6 is a top view thereof;

FIG. 7 is a bottom view thereof;

FIG. 8 is a bottom, rear, right perspective view thereof; and, FIG. 9 is a top, front, left perspective view thereof, showing our new design in its exemplary environment.

The broken lines showing the remainder of the pulley housing and the exemplary environment show portions that form no part of the claimed design.

1 Claim, 7 Drawing Sheets



(56)

References Cited

U.S. PATENT DOCUMENTS

2017/0246504 A1 8/2017 Simmons
 2018/0036573 A1 2/2018 Lennox et al.
 2018/0243597 A1 8/2018 Schlegel
 2019/0240521 A1 8/2019 Staten
 2019/0275363 A1 9/2019 Jones et al.

FOREIGN PATENT DOCUMENTS

FR 2630652 A1 11/1989
 GB 2346808 A 8/2000
 KR 200466889 Y1 5/2013
 KR 20140060130 A 5/2014
 WO 9842411 A1 10/1998
 WO 201893699 A1 5/2018
 WO 2018208772 A1 11/2018

OTHER PUBLICATIONS

Screenshots from <<https://www.youtube.com/watch?v=A4xv8OhVbzl>>, dated May 17, 2018.
 Product promotional materials for Dynamic Fitness Ultra Pro Rack Series from <<https://web.archive.org/web/20170112075250/https://mydynamicfitness.com>> dated Jan. 12, 2017.
 Product listing for Rogue Monster Lever Arms from <<https://web.archive.org/web/20160529110340/http://www.roguefitness.com/monster-lever-arms>>, dated May 29, 2016.
 Product listing for Rogue Monster Lever Arms from <<https://web.archive.org/web/20161111082206/http://www.roguefitness.com/monster-lever-arms>>, dated Nov. 11, 2016.
 Jul. 23, 2019—(WO) International Search Report & Written Opinion—App PCT/US2019/021017.
 Sorinex Exercise Equipment: “Base camp jammer arms adjustable attachment point”, Feb. 27, 2018 (Feb. 27, 2018), pp. 1-3, Retrieved from the Internet: URL:<https://www.facebook.com/sorinex.strength/videos/base-camp-jammer-arms-adjustable-attachment-point/10158262519208647/>.
 Mar. 31, 2020—(WO) ISR and WO—App PCT/US2019/056130.

* cited by examiner

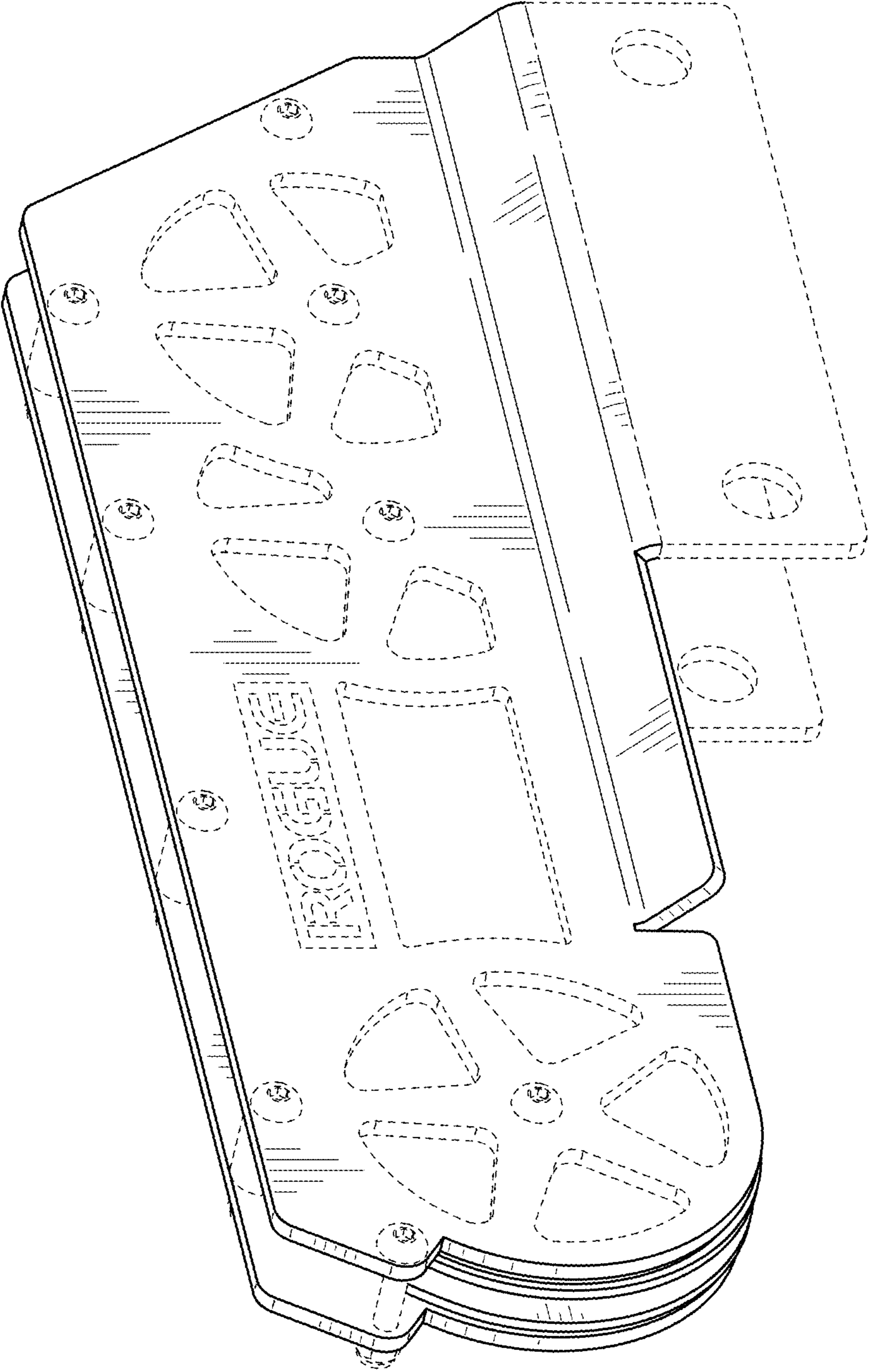


FIG. 1

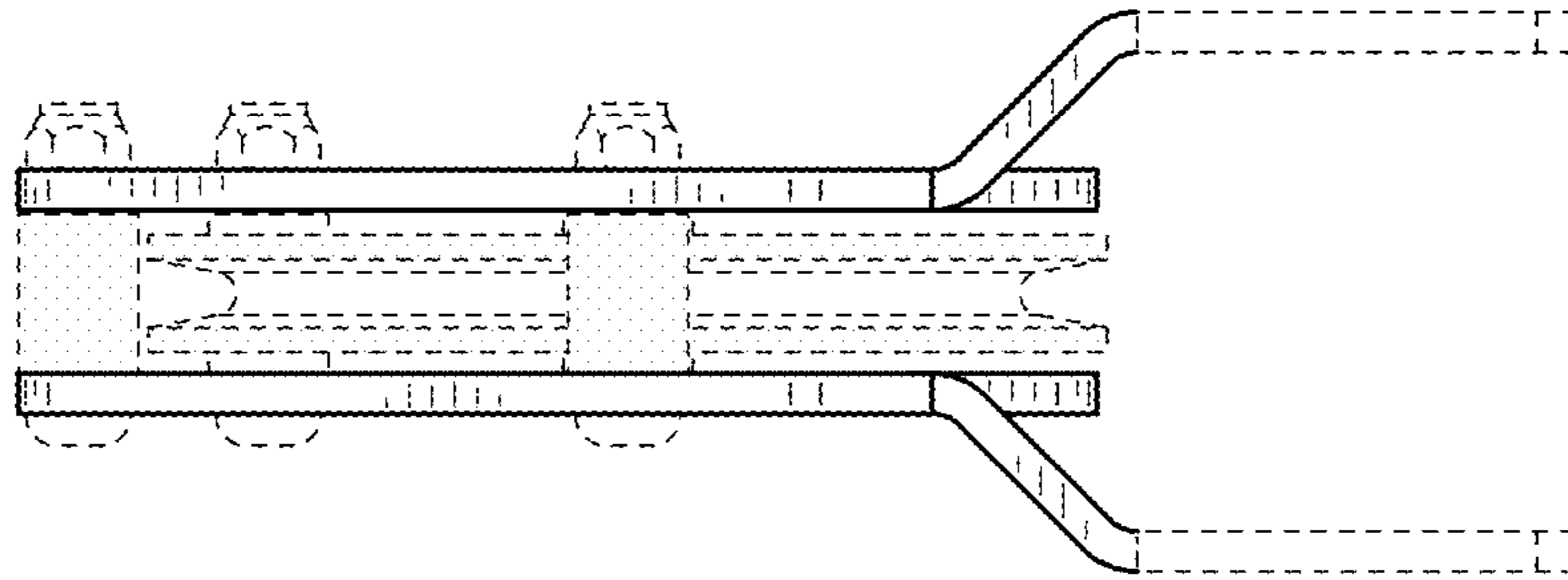


FIG. 3

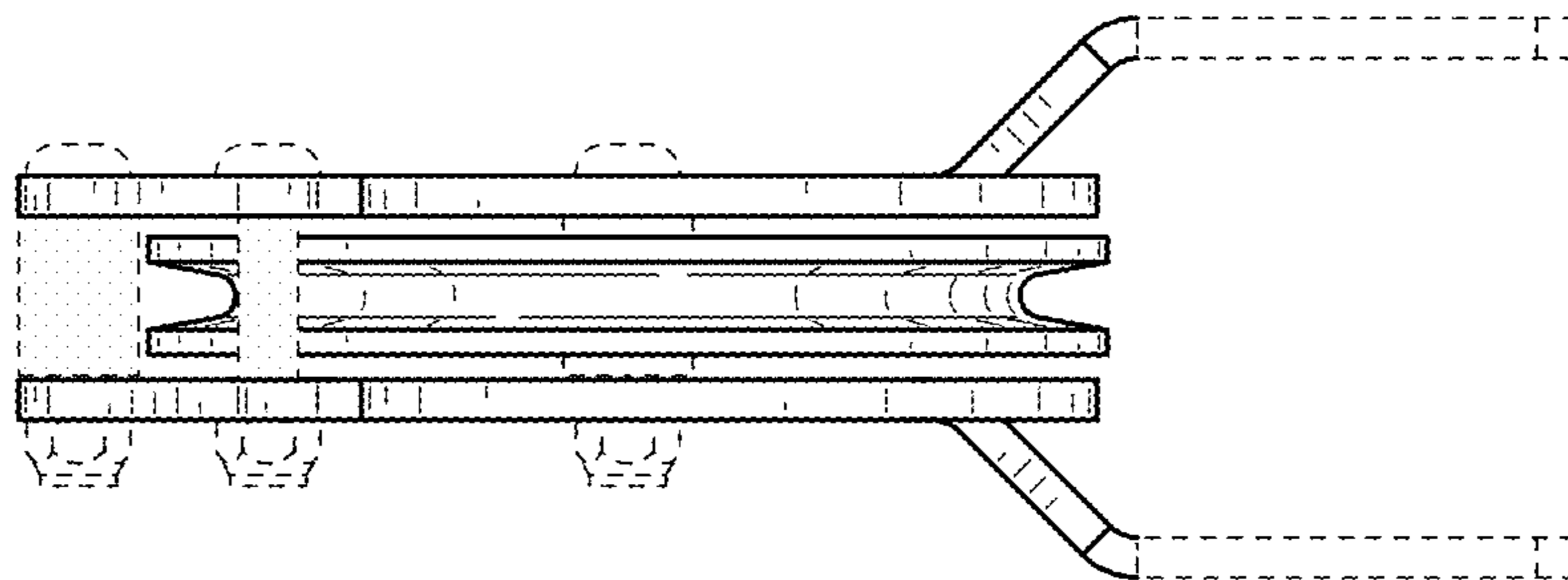


FIG. 2

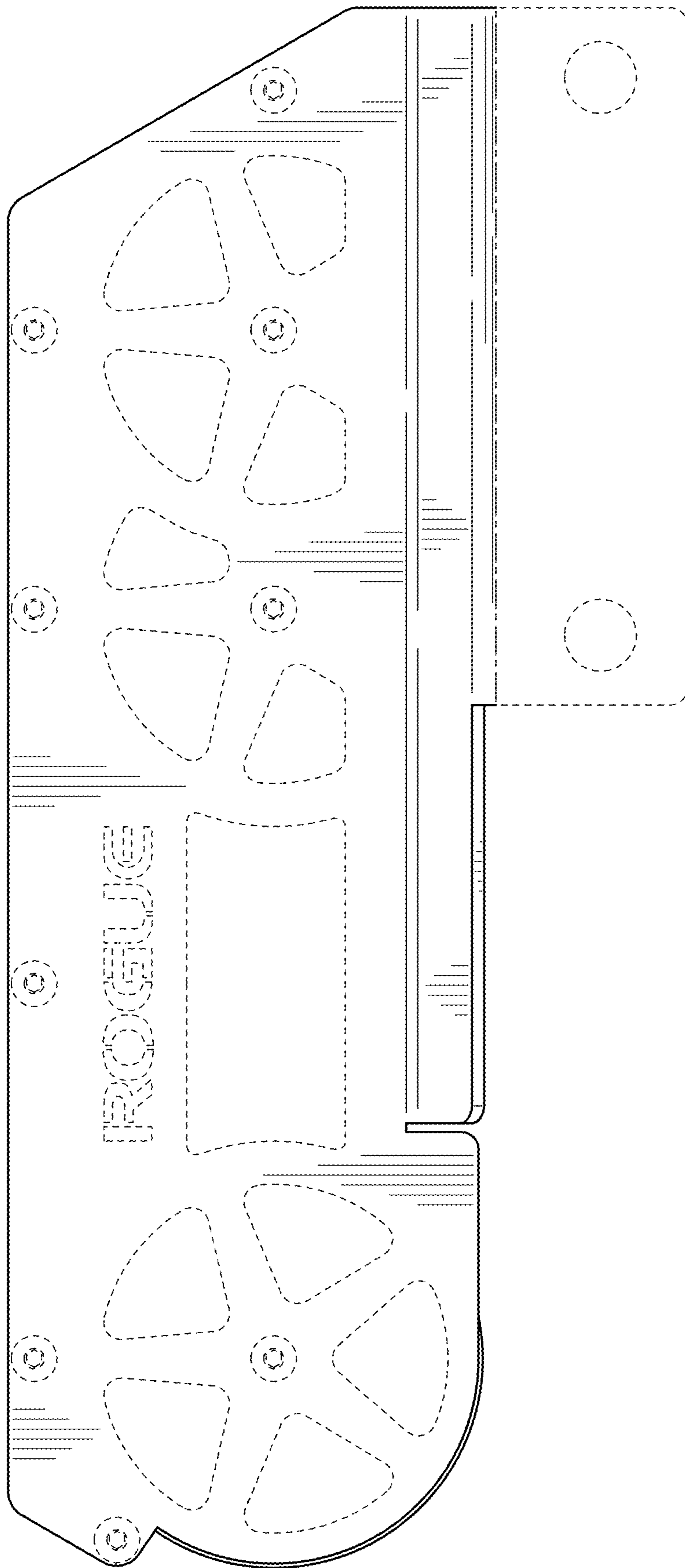


FIG. 4

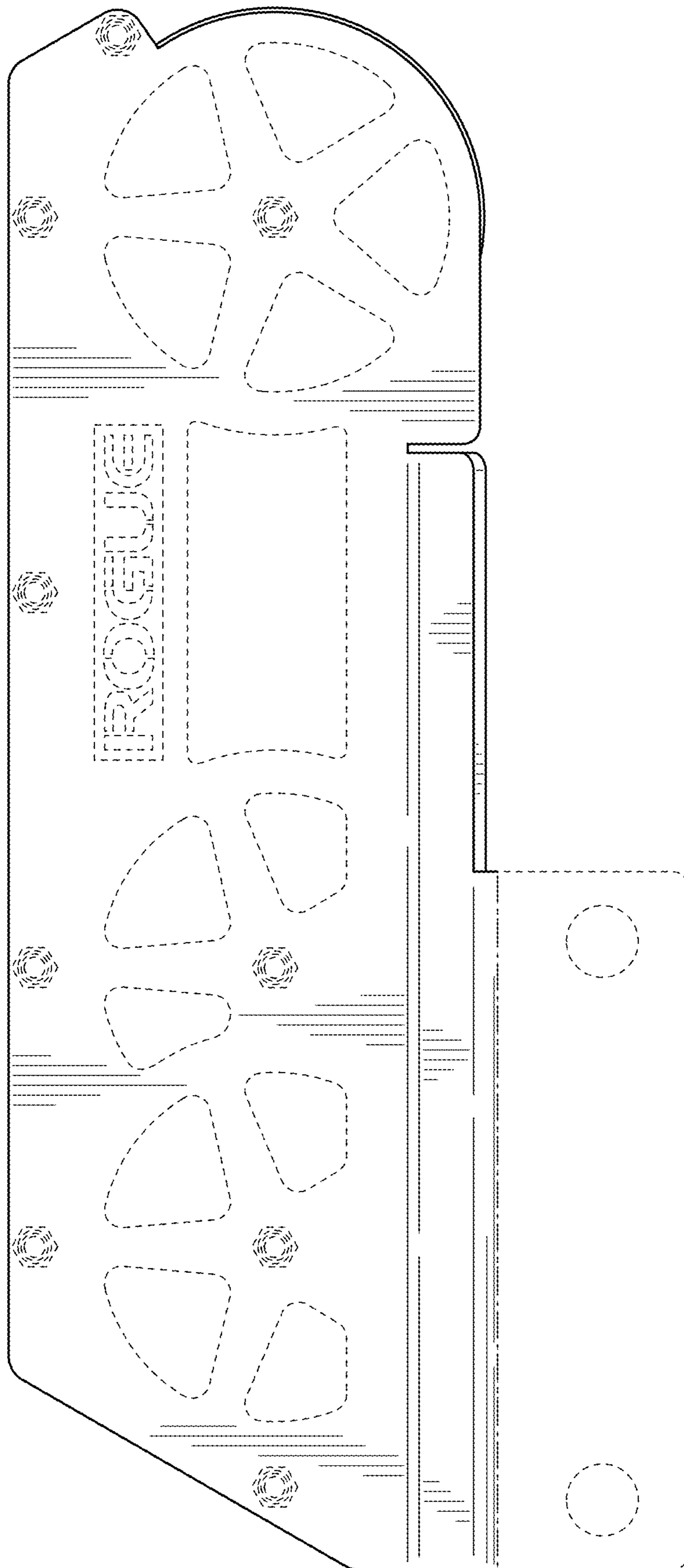


FIG. 5

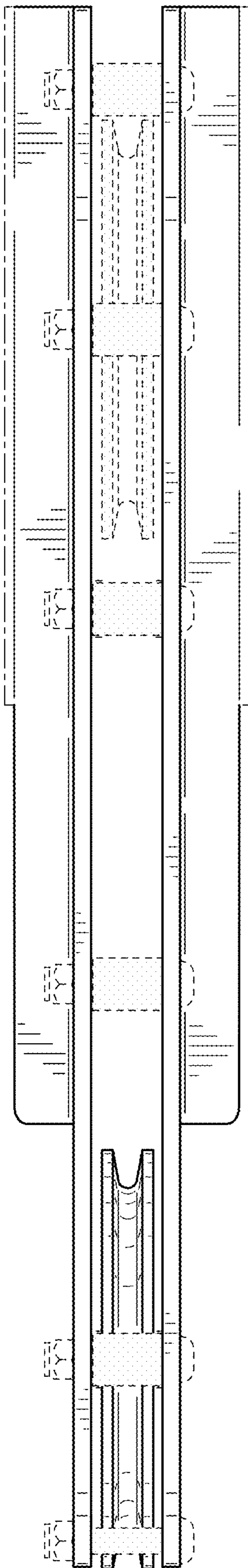


FIG. 6

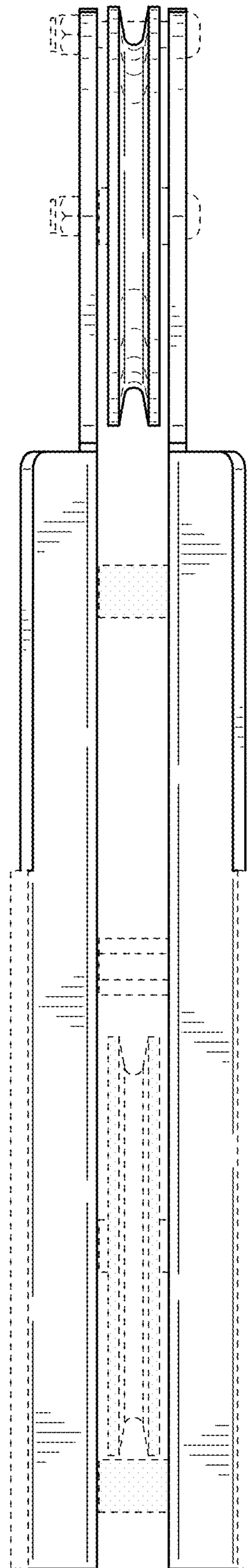


FIG. 7

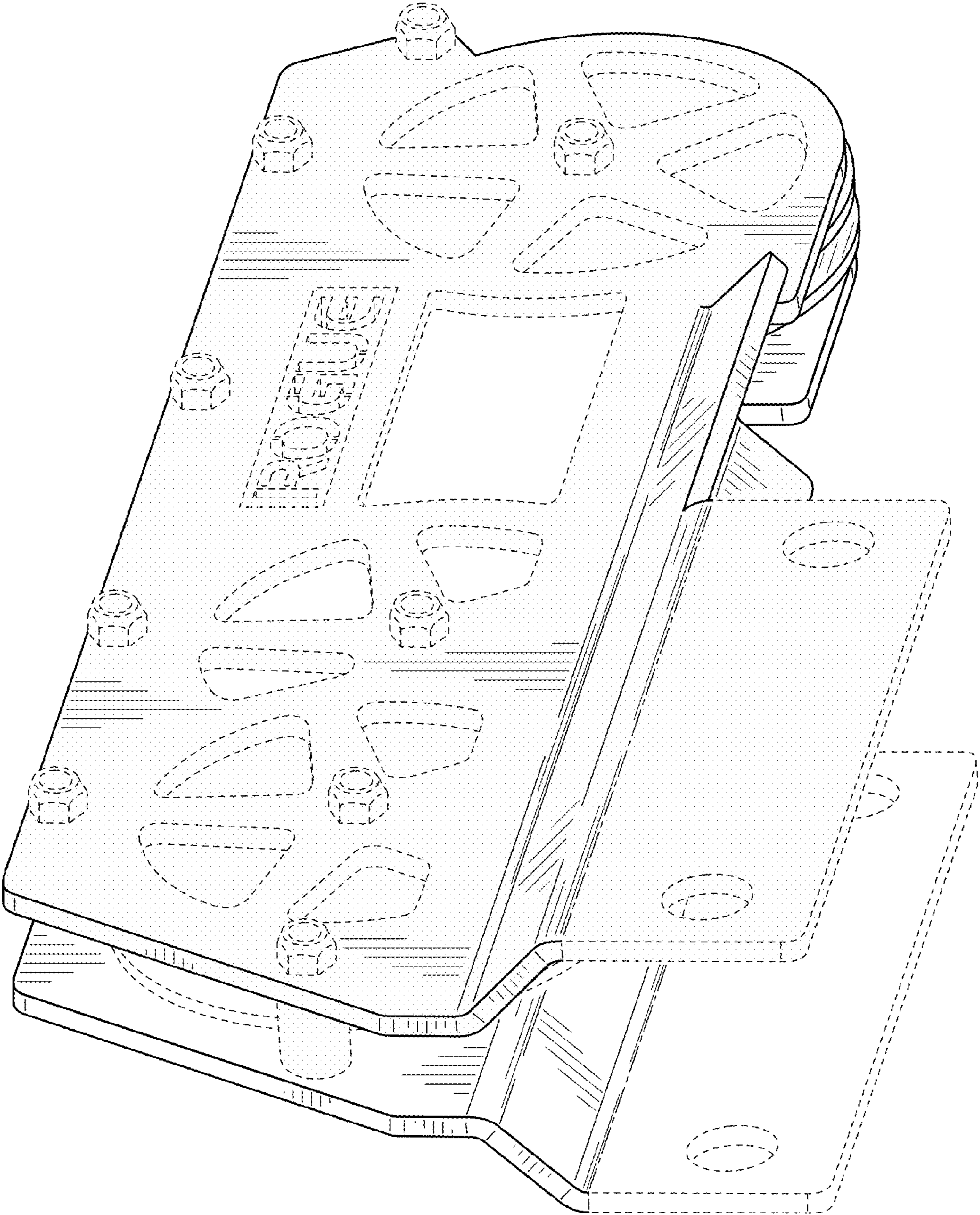


FIG. 8

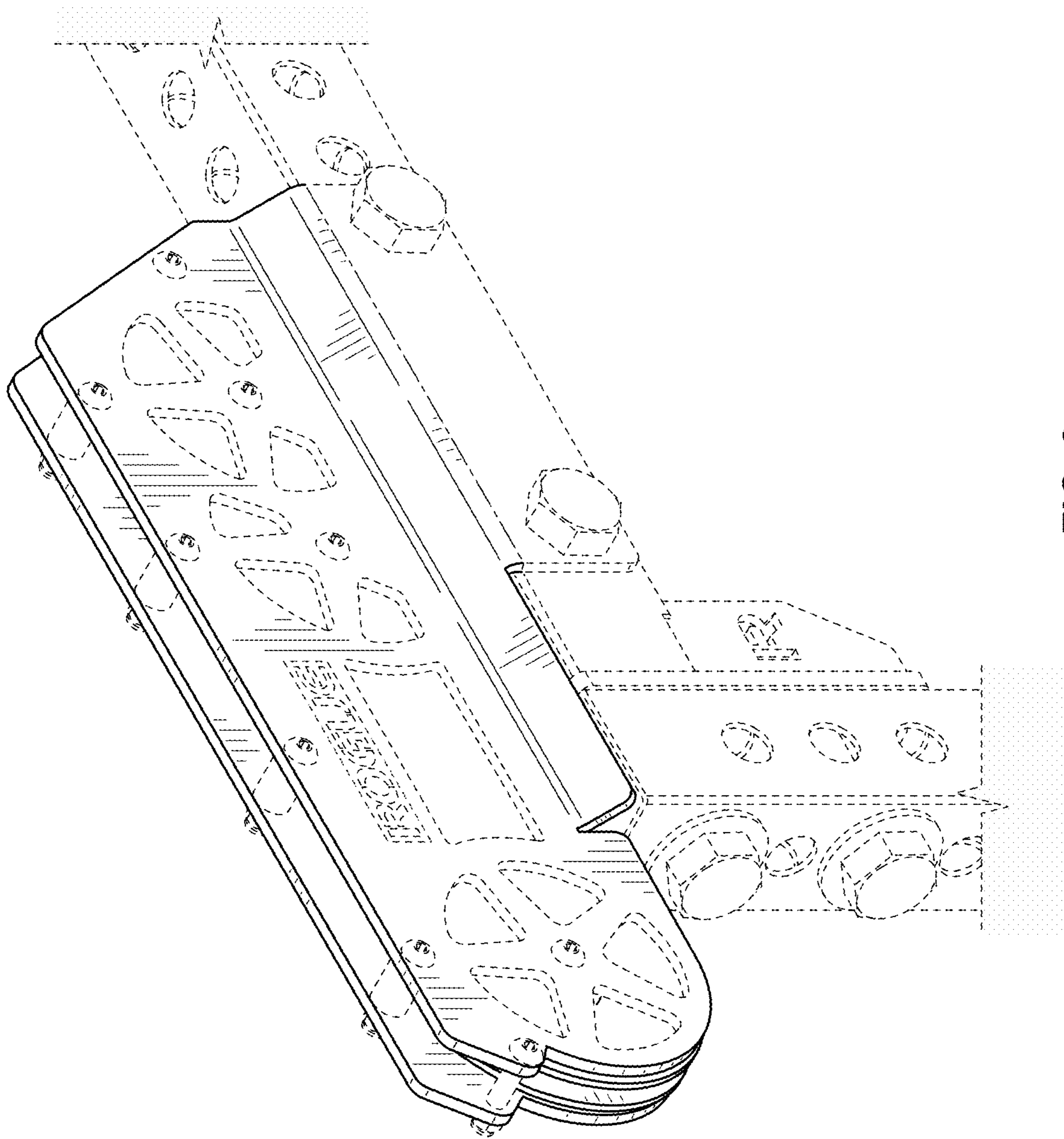


FIG. 9