



US00D919016S

(12) **United States Design Patent** (10) **Patent No.:** **US D919,016 S**  
**Lin** (45) **Date of Patent:** **\*\* May 11, 2021**

- (54) **SET OF JUMP ROPE HANDLES**
- (71) Applicant: **SHENZHEN MAIQIANG TECHNOLOGY DEVELOPMENT CO., LTD.**, Shenzhen (CN)
- (72) Inventor: **Xiaiohong Lin**, Shenzhen (CN)
- (73) Assignee: **SHENZHEN MAIQIANG TECHNOLOGY DEVELOPMENT CO., LTD.**, Shenzhen (CN)
- (\*\*) Term: **15 Years**
- (21) Appl. No.: **29/740,829**
- (22) Filed: **Jul. 7, 2020**
- (51) **LOC (13) Cl.** ..... **21-02**
- (52) **U.S. Cl.**  
USPC ..... **D21/672**
- (58) **Field of Classification Search**  
USPC ..... D21/672, 756, 662, 757, 684, 694;  
D22/117; D7/684, 649; D26/38, 49;  
D8/14, 303, 373; 482/82, 49, 81, 110, 8,  
482/106, 2; D15/66; D9/621; D19/77  
CPC ..... A63B 5/20; A63B 2208/12; A63B 5/205;  
A63B 2071/0625; A63B 2225/74; A63B  
21/4035; A63B 21/0004  
See application file for complete search history.

(56) **References Cited**

**U.S. PATENT DOCUMENTS**

4,136,866	A *	1/1979	Bouvier	.....	A63B 5/20 16/430
5,314,393	A *	5/1994	Rubin	.....	A63B 5/20 472/13
D566,206	S	4/2008	Yang		
7,976,438	B1 *	7/2011	Hsu	.....	A63B 5/20 482/81
D804,591	S	12/2017	Kuang		
D829,835	S	10/2018	Yu		
D846,667	S	4/2019	Yu		
D856,446	S	8/2019	Yu		

D866,688	S	11/2019	Zhang et al.		
10,751,559	B2 *	8/2020	Constanza	.....	A63B 24/0087
2013/0165299	A1 *	6/2013	Hunt	.....	A63B 5/20 482/82
2014/0018210	A1 *	1/2014	Lin	.....	A63B 71/0605 482/8

(Continued)

**OTHER PUBLICATIONS**

Te-Rich by Te-Rich dated Sep. 9, 2020. Found online [Dec. 29, 2020] [https://www.amazon.com/Te-Rich-Weighted-Fitness-Skipping-Counter/product-reviews/B08G8D6Z8H/ref=cm\\_cr\\_getr\\_d\\_paging\\_btm\\_next\\_20?ie=UTF8&reviewerType=all\\_reviews&sortBy=recent&pageNumber=20](https://www.amazon.com/Te-Rich-Weighted-Fitness-Skipping-Counter/product-reviews/B08G8D6Z8H/ref=cm_cr_getr_d_paging_btm_next_20?ie=UTF8&reviewerType=all_reviews&sortBy=recent&pageNumber=20) (Year: 2020).\*

*Primary Examiner* — Ryan Harvey

(74) *Attorney, Agent, or Firm* — Law Offices of Steven W. Weinrieb

(57) **CLAIM**

The ornamental design for set of jump rope handles, as shown and described.

**DESCRIPTION**

FIG. 1 is a front, right side, top perspective view of a set of jump rope handles showing my new design, shown in a first environment of use;

FIG. 2 is a rear, left side, bottom perspective view thereof;

FIG. 3 is a front elevational view thereof;

FIG. 4 is a rear elevational view thereof;

FIG. 5 is a left side elevational view thereof;

FIG. 6 is a right side elevational view thereof;

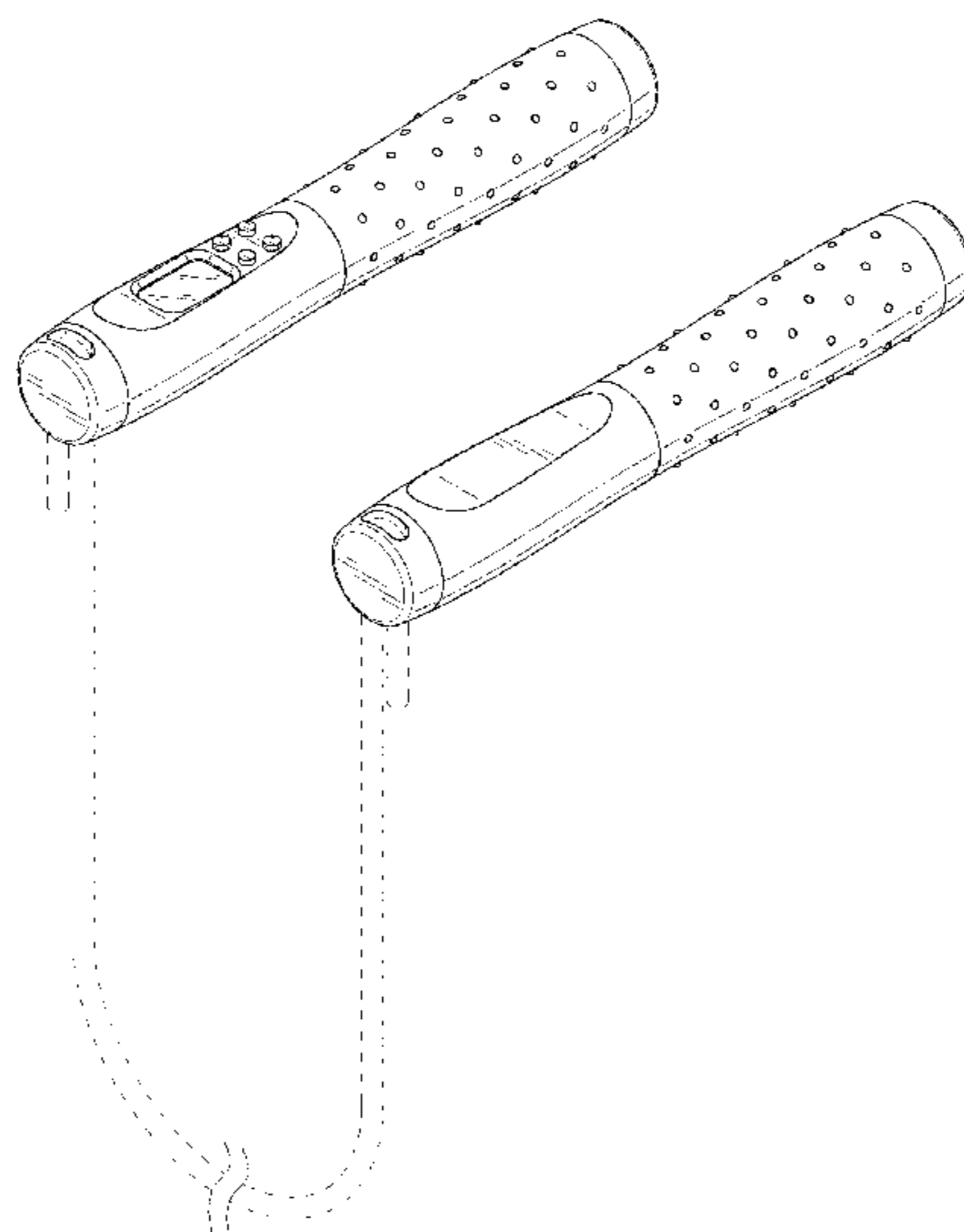
FIG. 7 is a top plan view thereof;

FIG. 8 is a bottom plan view thereof; and,

FIG. 9 is a front, right side, top perspective view of the set of jump rope handles showing my new design, shown in a second environment of use.

The broken lines depict portions of the exercise equipment that form no part of the claimed design.

**1 Claim, 9 Drawing Sheets**



(56)

**References Cited**

U.S. PATENT DOCUMENTS

2015/0119206 A1\* 4/2015 Newman ..... A63B 21/0608  
482/82  
2016/0067536 A1\* 3/2016 Carpinelli ..... A63B 5/20  
482/82  
2018/0221703 A1\* 8/2018 Newman ..... A63B 5/20

\* cited by examiner

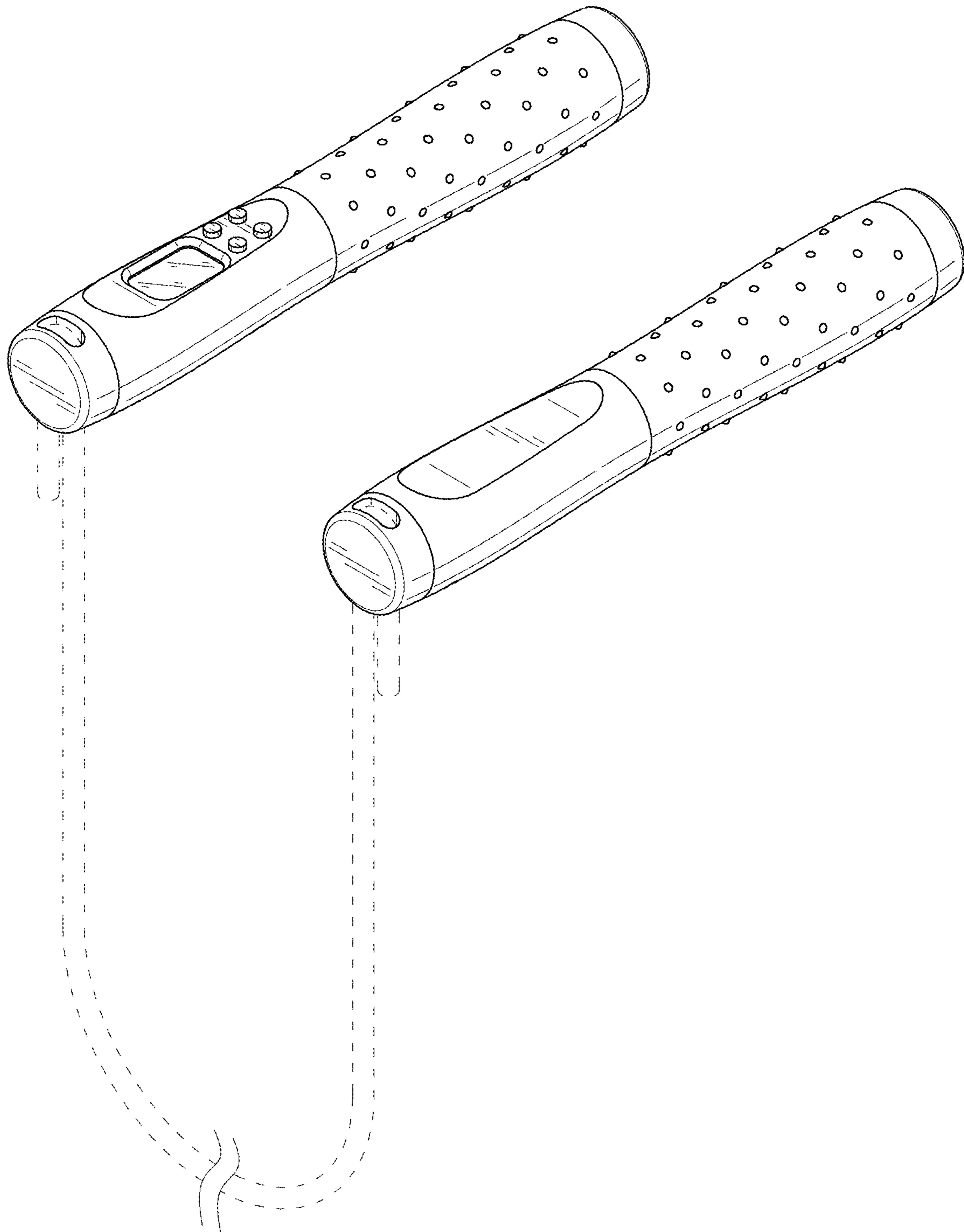


FIG.1

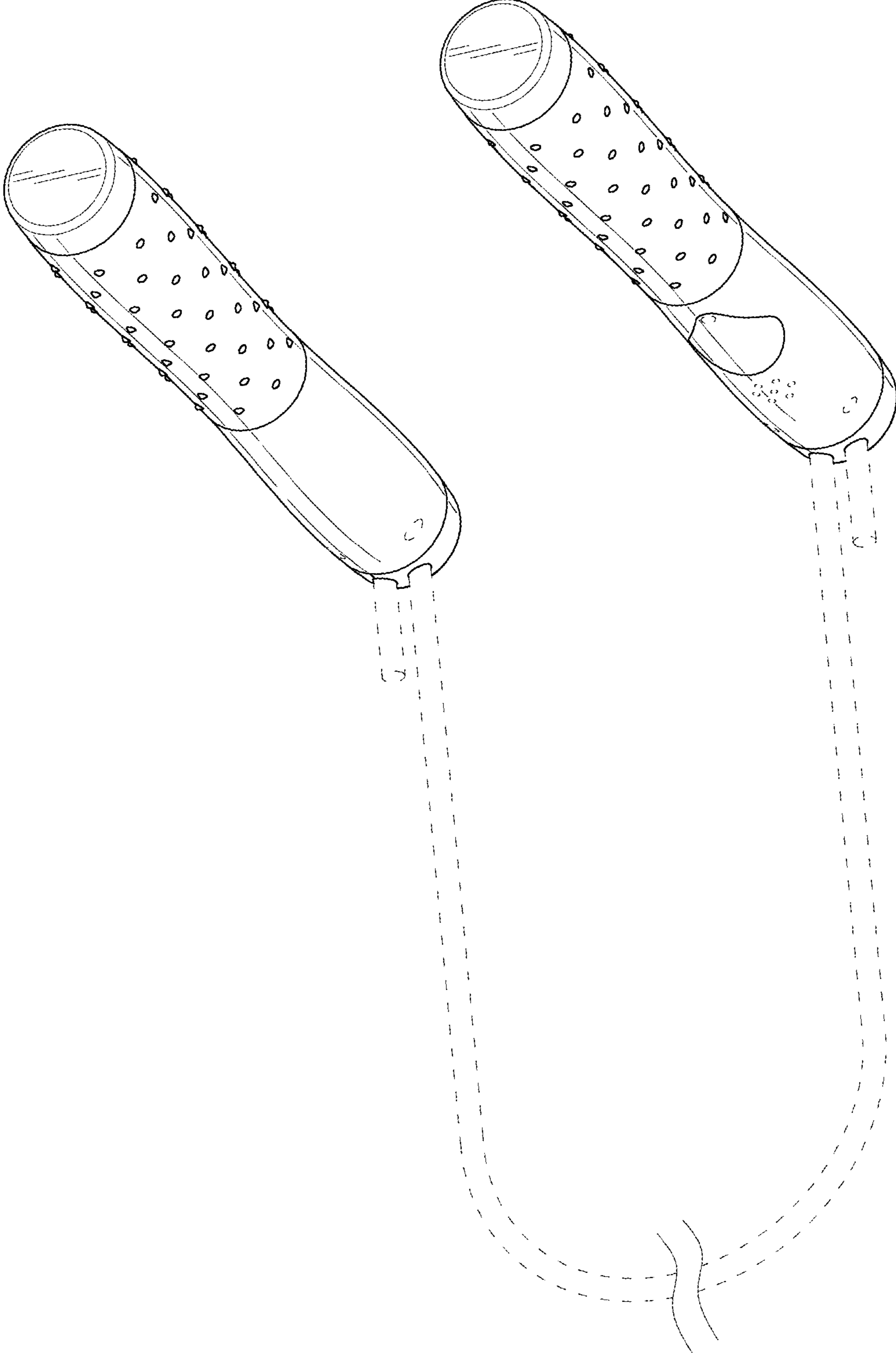


FIG.2

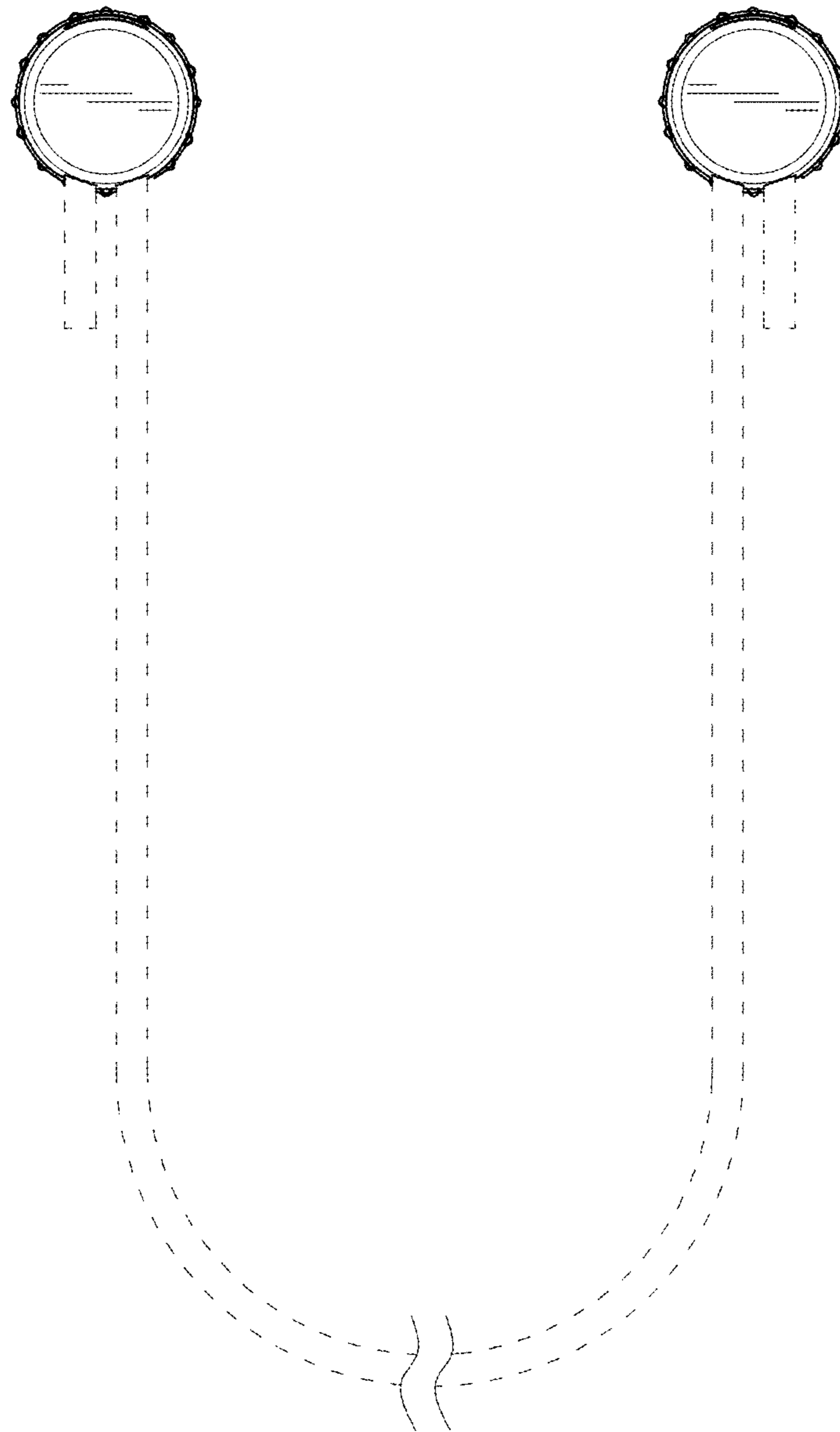


FIG. 3

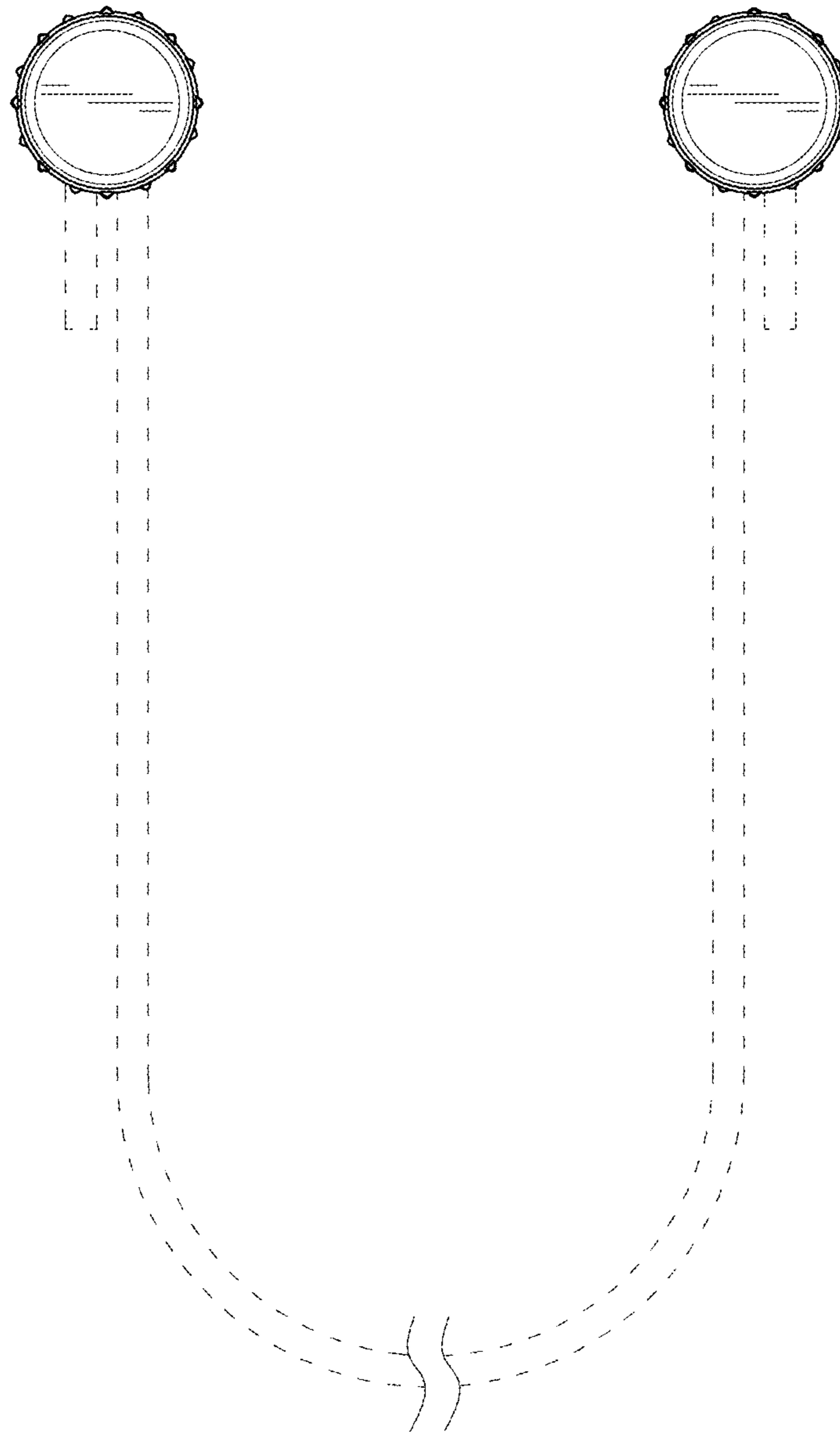


FIG.4

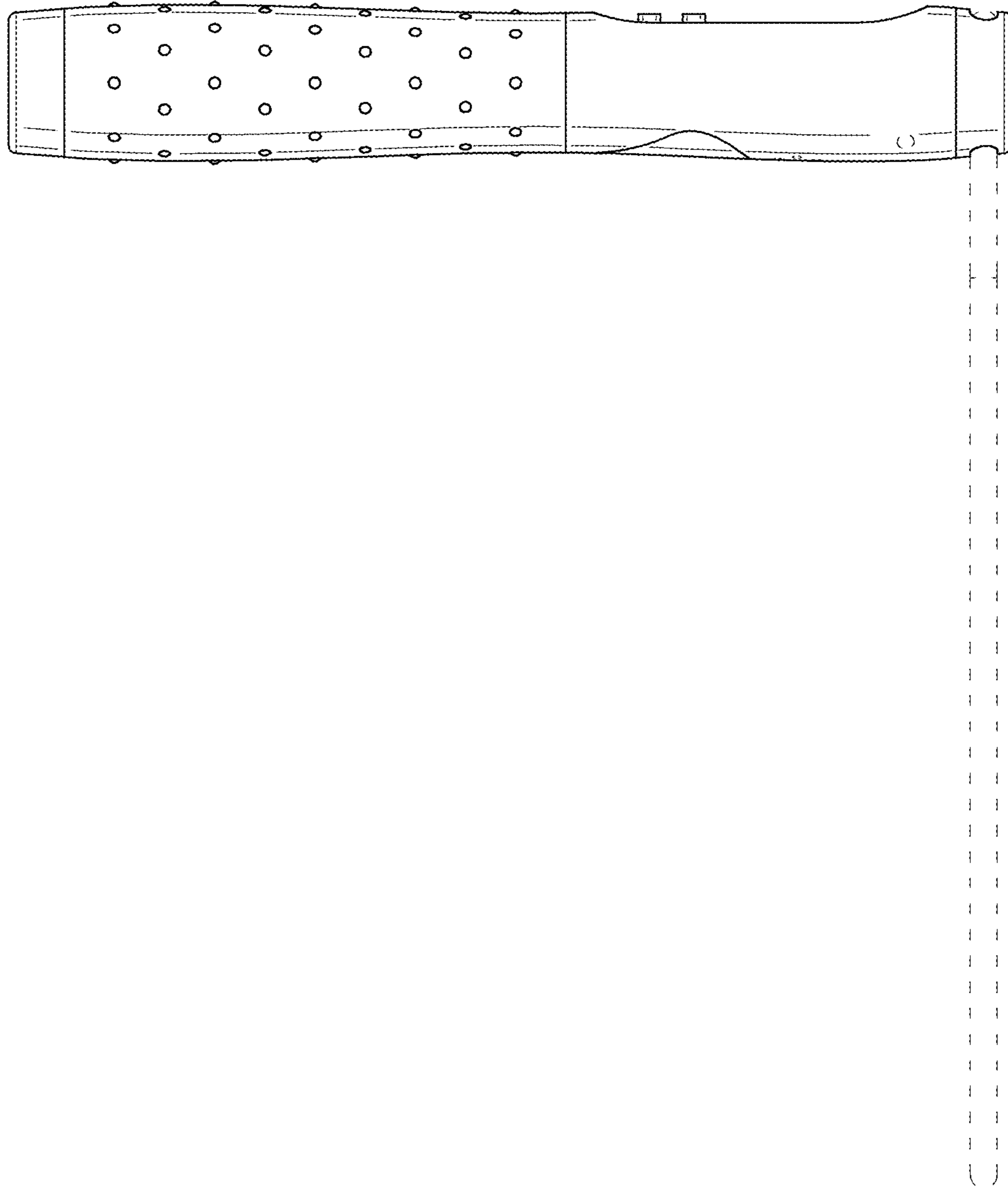


FIG.5

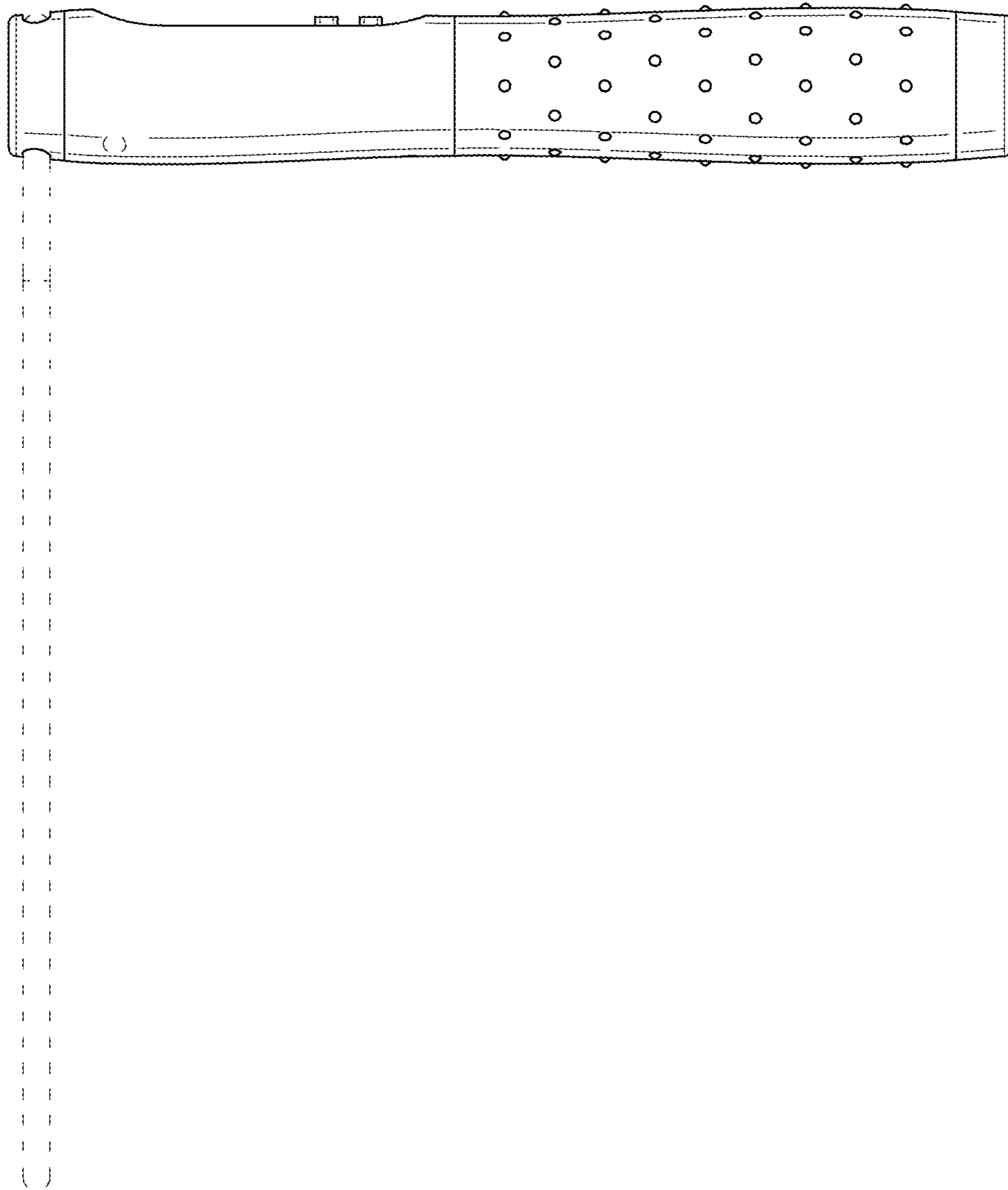


FIG.6



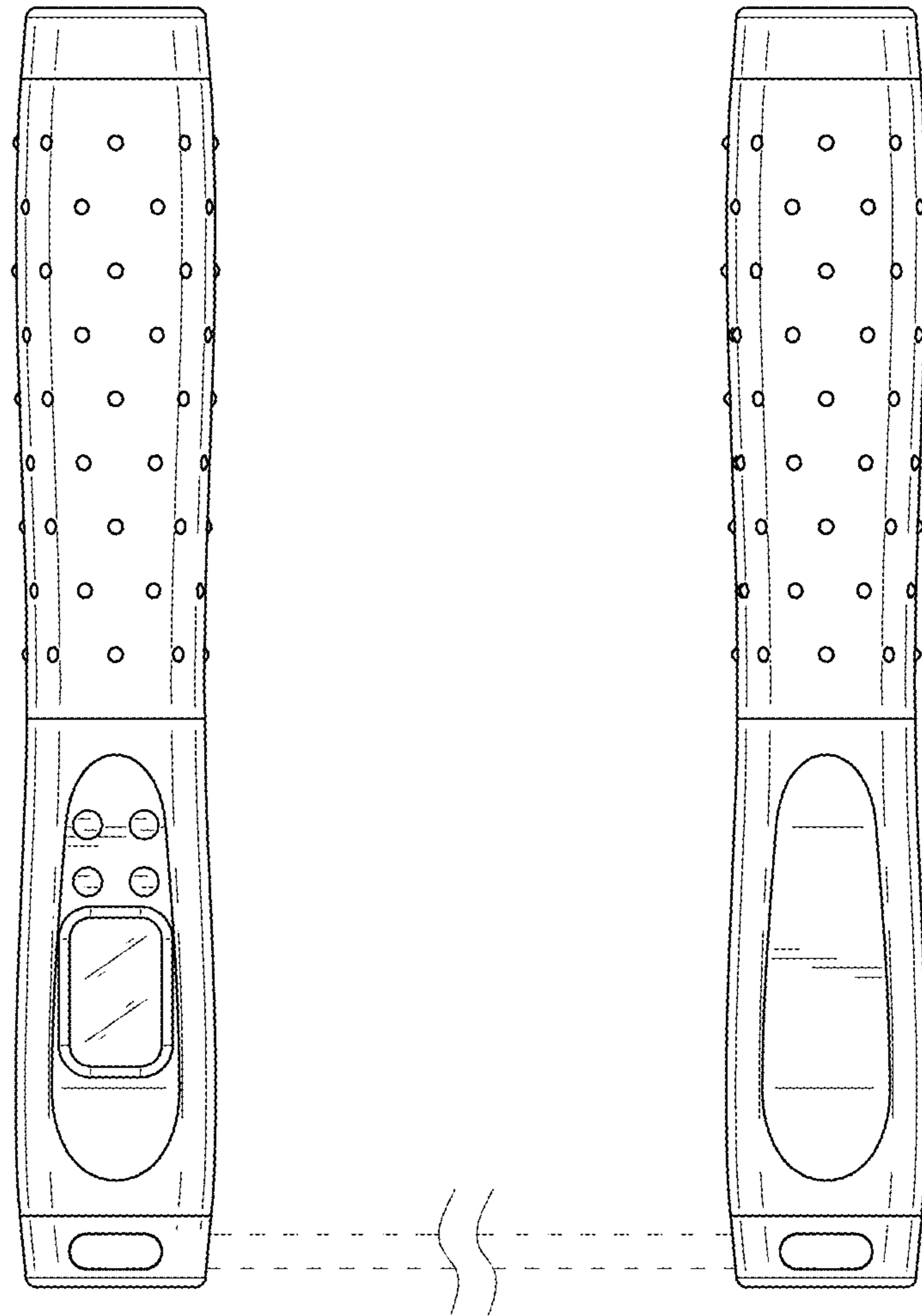


FIG. 7

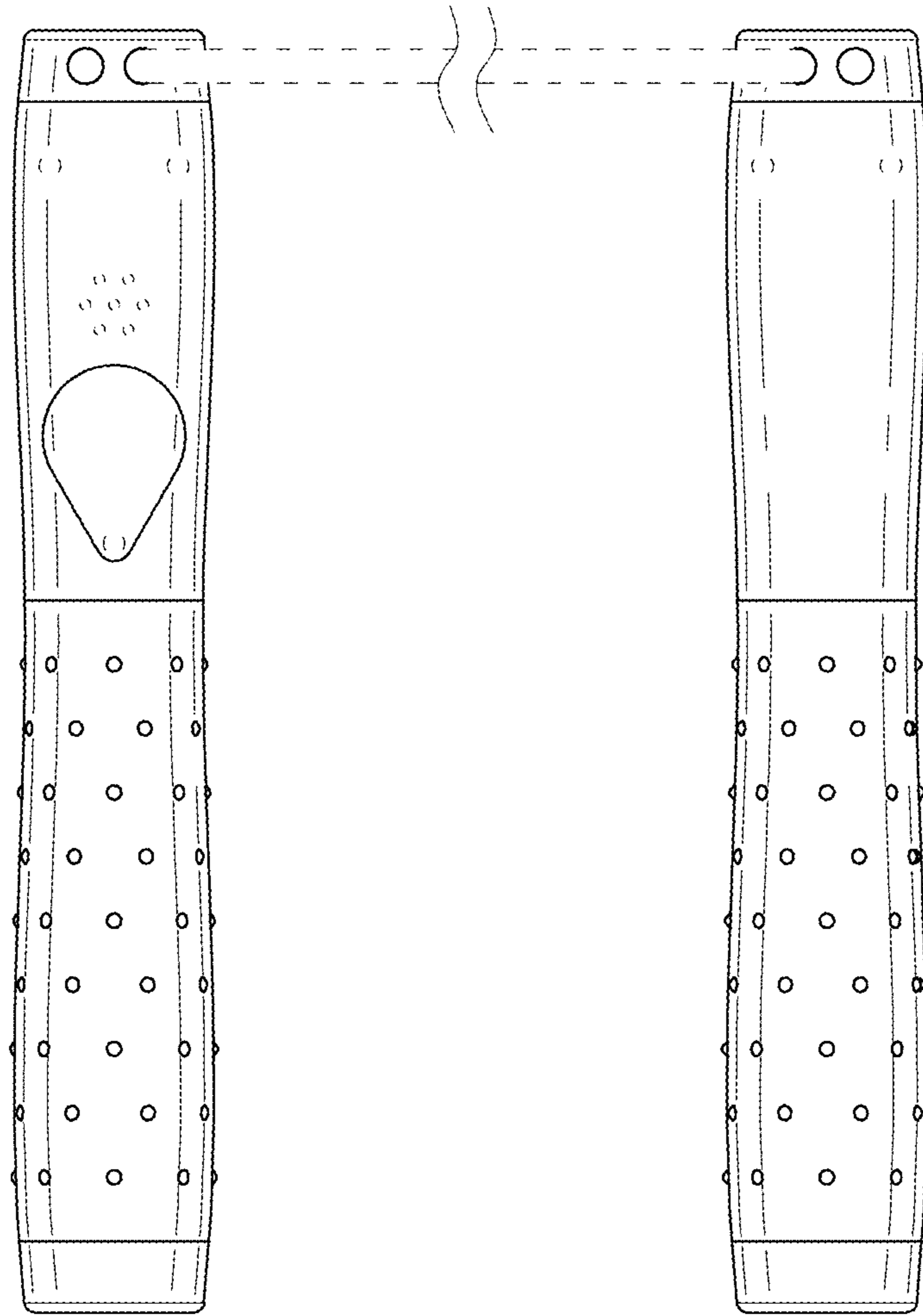


FIG.8

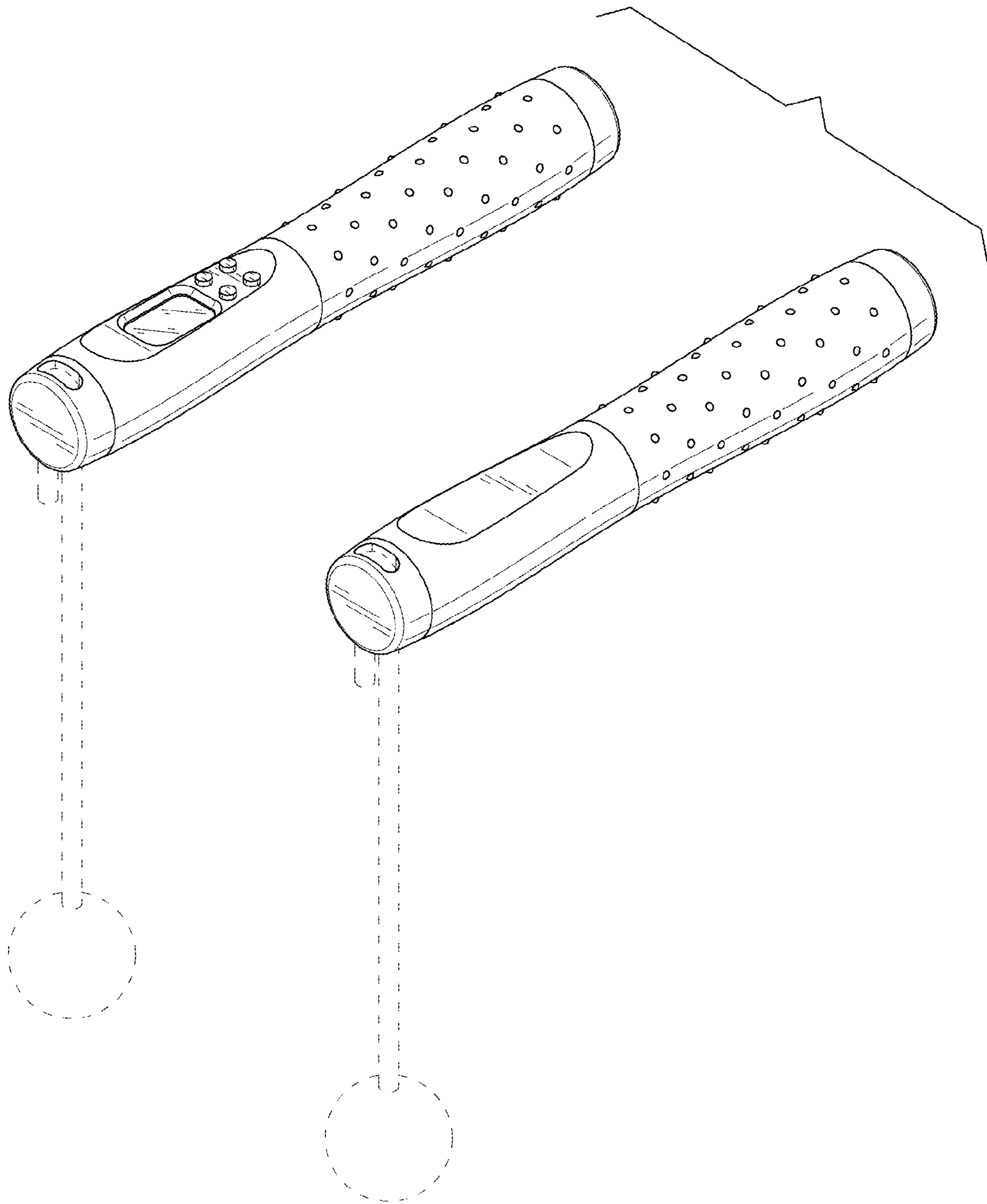


FIG. 9