



US00D919015S

(12) **United States Design Patent** (10) **Patent No.:** **US D919,015 S**  
**Hwang et al.** (45) **Date of Patent:** **\*\* \*May 11, 2021**

- (54) **CONSTRUCTION SET ELEMENT**
- (71) Applicant: **LEGO A/S**, Billund (DK)
- (72) Inventors: **Byeongjun Hwang**, Ansan-si (KR);  
**Kyoungbae Na**, Suwon-si (KR)
- (73) Assignee: **LEGO A/S**
- (\*) Notice: This patent is subject to a terminal disclaimer.
- (\*\*) Term: **15 Years**
- (21) Appl. No.: **29/693,257**
- (22) Filed: **May 31, 2019**
- (51) **LOC (13) Cl.** ..... **21-01**
- (52) **U.S. Cl.**  
USPC ..... **D21/485**; D21/491; D21/501
- (58) **Field of Classification Search**  
USPC ..... D21/468, 470, 471, 478, 479, 484-505  
CPC ..... A63H 33/04; A63H 33/044; A63H 33/06;  
A63H 33/062; A63H 33/086; A63H  
33/088; A63H 33/10; A63H 33/101;  
A63H 33/108; A63H 33/12  
See application file for complete search history.

- (56) **References Cited**  
U.S. PATENT DOCUMENTS
- |                |         |              |       |                        |
|----------------|---------|--------------|-------|------------------------|
| D219,230 S *   | 11/1970 | Reijnhard    | ..... | D21/491                |
| D244,632 S *   | 6/1977  | Christiansen | ..... | D21/491                |
| D284,611 S *   | 7/1986  | Cotney       | ..... | D21/345                |
| 4,719,738 A *  | 1/1988  | Lee          | ..... | E01C 5/04<br>404/34    |
| D370,035 S *   | 5/1996  | Olsen        | ..... | D21/491                |
| D378,837 S *   | 4/1997  | Olsen        | ..... | D21/500                |
| 6,682,385 B2 * | 1/2004  | Atzen        | ..... | A63H 33/088<br>273/156 |
| D612,434 S *   | 3/2010  | Christensen  | ..... | D21/491                |
| D616,505 S *   | 5/2010  | Kossmann     | ..... | D21/501                |
| D683,409 S *   | 5/2013  | Lomax        | ..... | D21/485                |
| D704,776 S *   | 5/2014  | Capriola     | ..... | D21/485                |

- D731,595 S \* 6/2015 Jensen ..... D21/491
- D731,596 S \* 6/2015 Jensen ..... D21/491
- D736,862 S \* 8/2015 Karunaratne ..... D21/491
- D777,845 S \* 1/2017 Marcil ..... D21/491
- D786,983 S \* 5/2017 Cote ..... D21/491
- D817,411 S \* 5/2018 Simonds ..... D21/491
- D829,829 S \* 10/2018 Barwald ..... D21/491
- D829,830 S \* 10/2018 Wakim ..... D21/491
- 10,143,932 B2 \* 12/2018 Jensen ..... A63H 33/086
- D851,180 S \* 6/2019 Pihl ..... D21/491

(Continued)

**OTHER PUBLICATIONS**

BRICKLINK, "Technic, Brick 4x6 Open Center, Item No. 40344", Accessed online on Jun. 4, 2019, at <<<https://www.bricklink.com/v2/catalog/catalogitem.page?P=40344#T=C>>>, "Years Released: 2001-2019".

(Continued)

*Primary Examiner* — Cynthia M. Chin  
(74) *Attorney, Agent, or Firm* — Valeriya Svystun; Day Pitney LLP

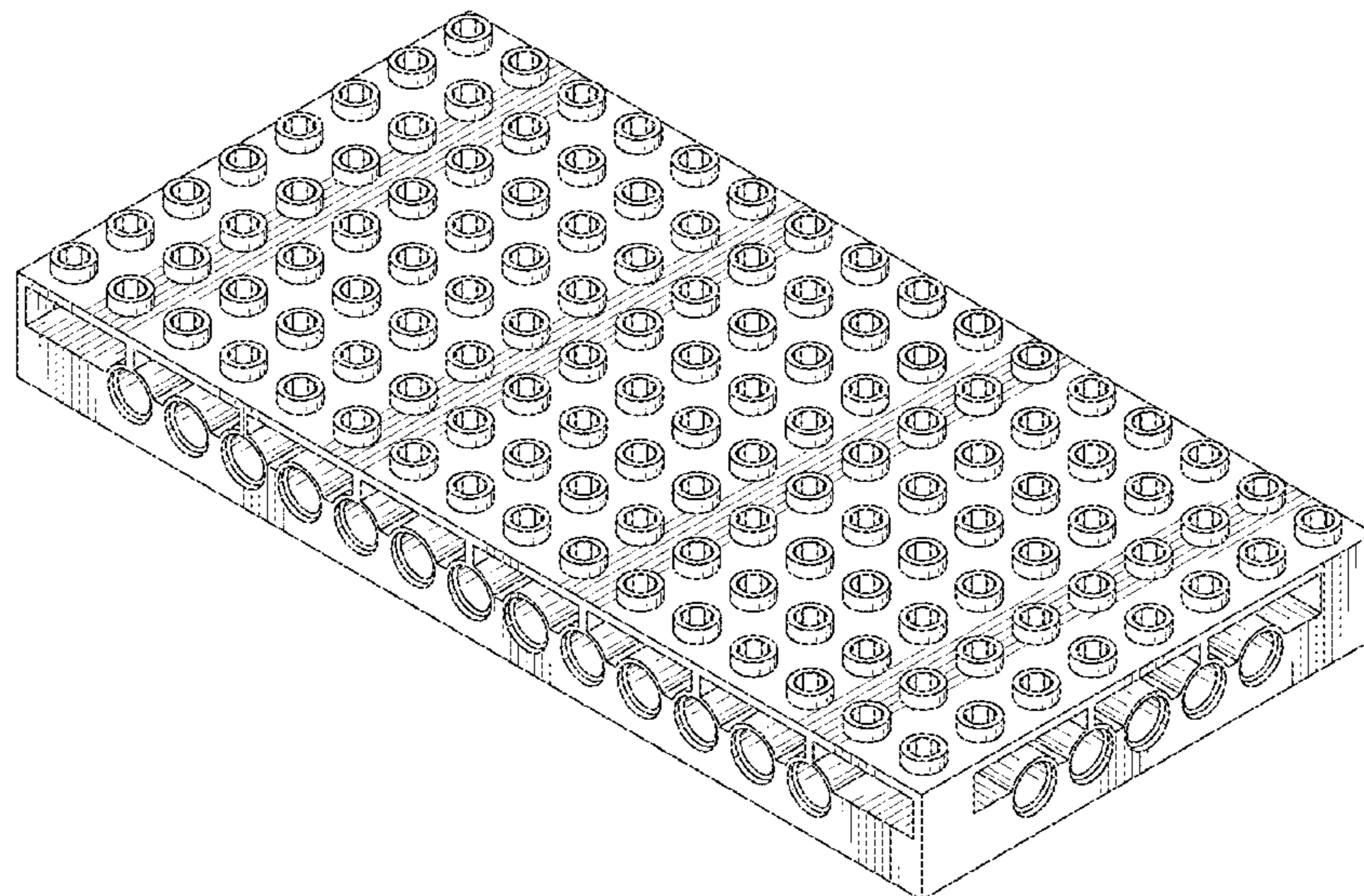
(57) **CLAIM**

We claim the ornamental design for a construction set element, as shown and described.

**DESCRIPTION**

FIG. 1 is a top perspective of a construction set element, showing our new design;  
FIG. 2 is a bottom perspective view thereof;  
FIG. 3 is a front elevational view thereof;  
FIG. 4 is a left side elevational view thereof;  
FIG. 5 is a right side elevational view thereof;  
FIG. 6 is a right side elevational view thereof;  
FIG. 7 is a top plan view thereof;  
FIG. 8 is a bottom plan view thereof;  
FIG. 9 is a width-wise sectional view thereof; and,  
FIG. 10 is a length-wise sectional view thereof.

**1 Claim, 6 Drawing Sheets**



(56)

**References Cited**

U.S. PATENT DOCUMENTS

D857,111 S \* 8/2019 Pihl ..... D21/485  
D868,904 S \* 12/2019 Molgaard ..... D21/500  
D869,568 S \* 12/2019 MacArthur ..... D21/502  
D900,245 S \* 10/2020 Hwang ..... D21/491  
2008/0160875 A1 \* 7/2008 Leicht ..... A63F 9/12  
446/124  
2012/0213961 A1 \* 8/2012 Graham ..... A47B 96/20  
428/43  
2020/0261818 A1 \* 8/2020 Kærsgaard ..... A63H 33/086  
2020/0282323 A1 \* 9/2020 MacArthur ..... A63H 33/102

OTHER PUBLICATIONS

BRICKLINK, "Technic, Brick 6x8 Open Center, Item No. 40345",  
Accessed online on Jun. 4, 2019, at <<<https://www.bricklink.com/v2/catalog/catalogitem.page?P=40345#T=C>>>, "Years Released: 2001-2019".

\* cited by examiner



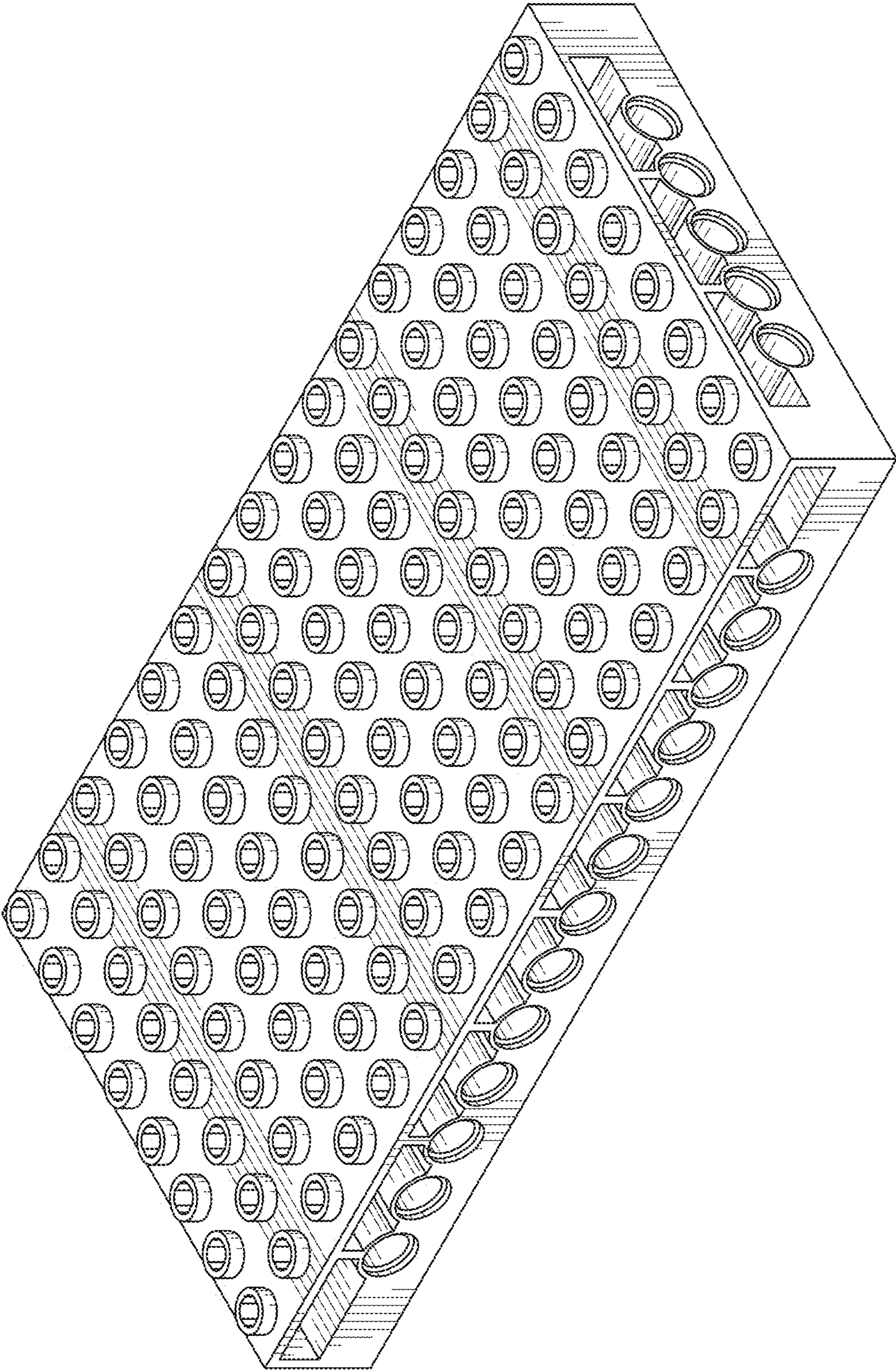


FIG. 1



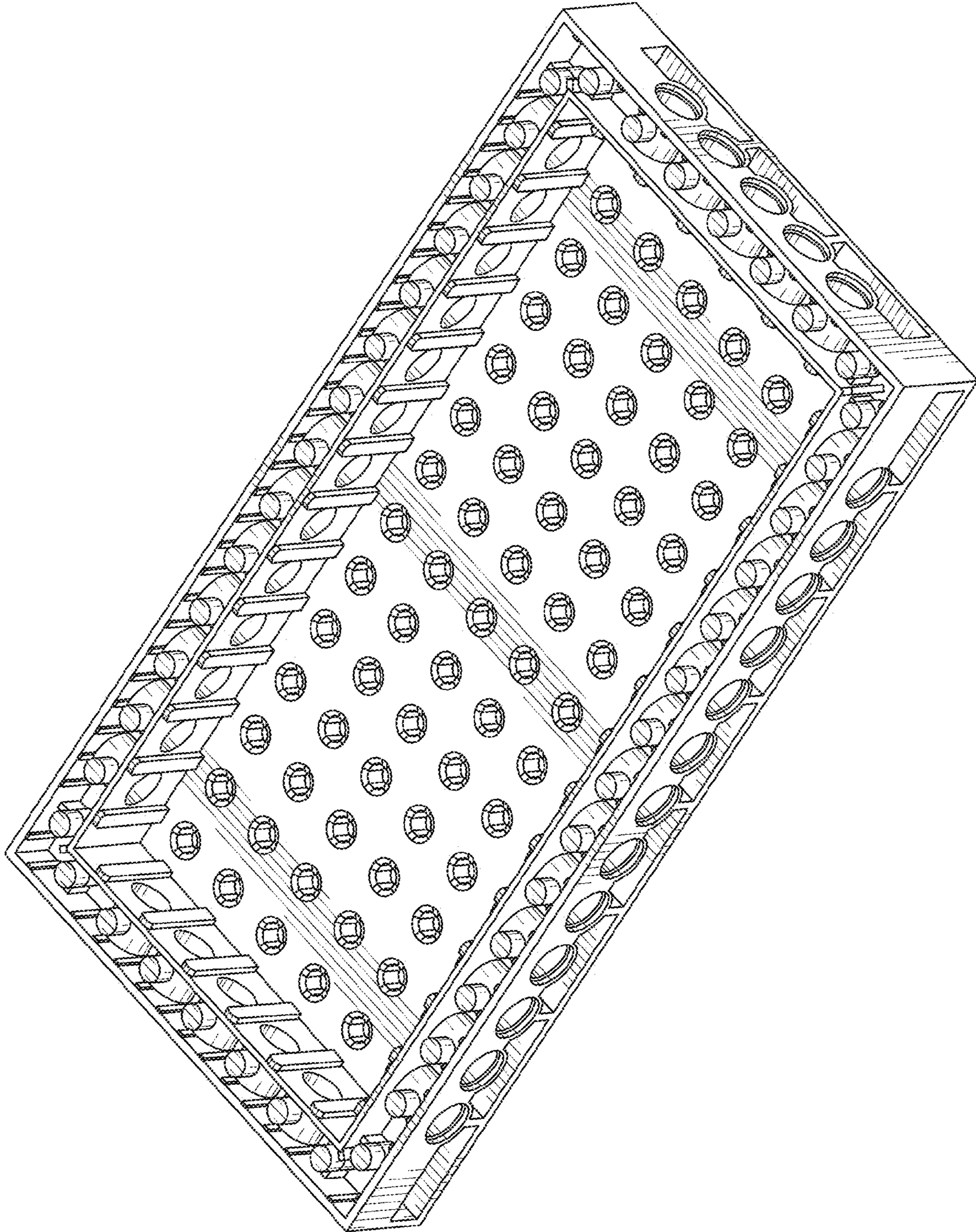


FIG. 2

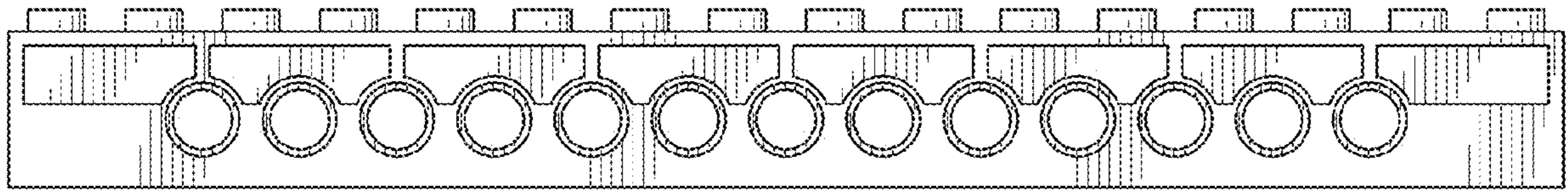


FIG. 3

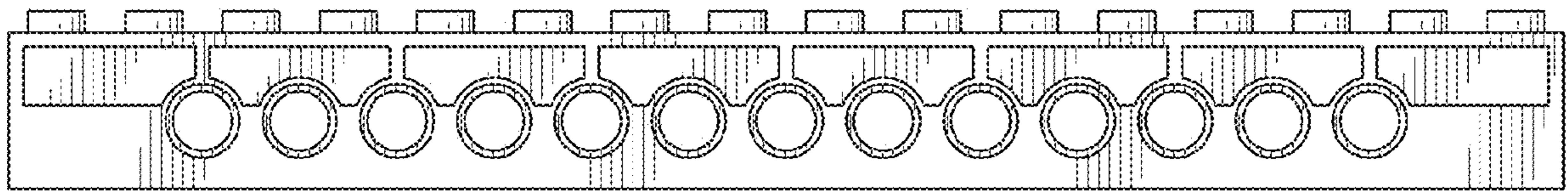
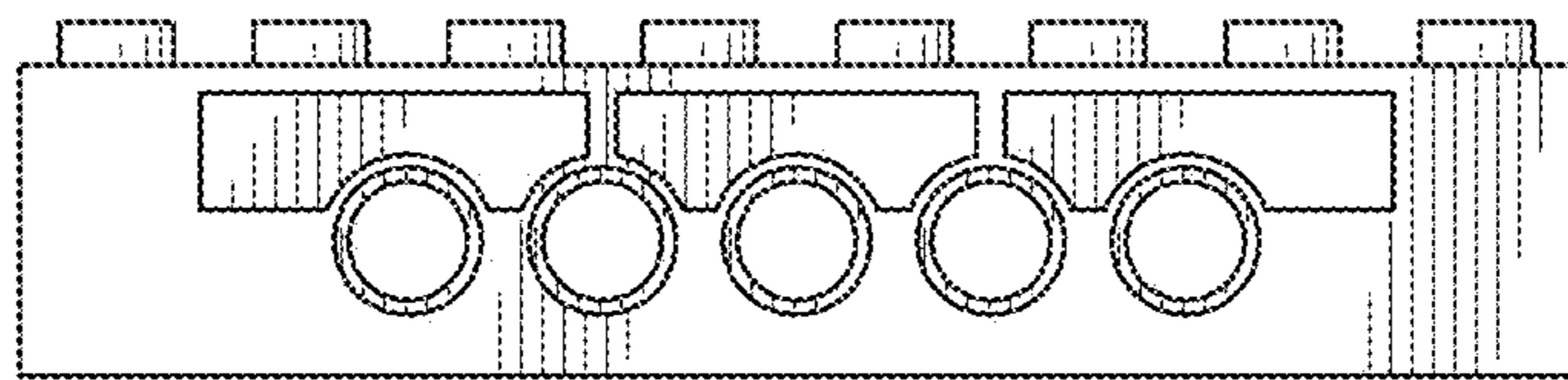
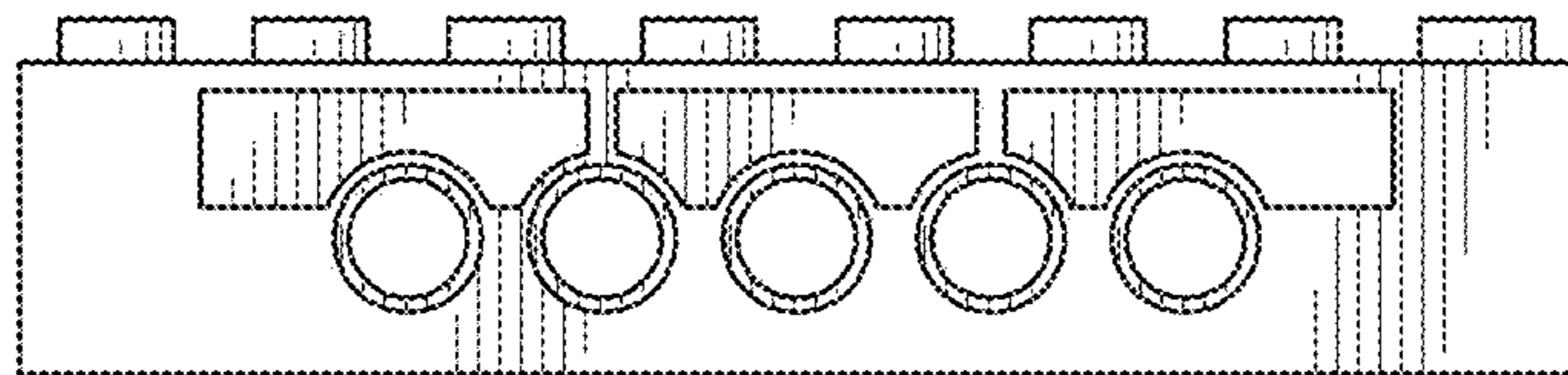


FIG. 4



**FIG. 5**



**FIG. 6**



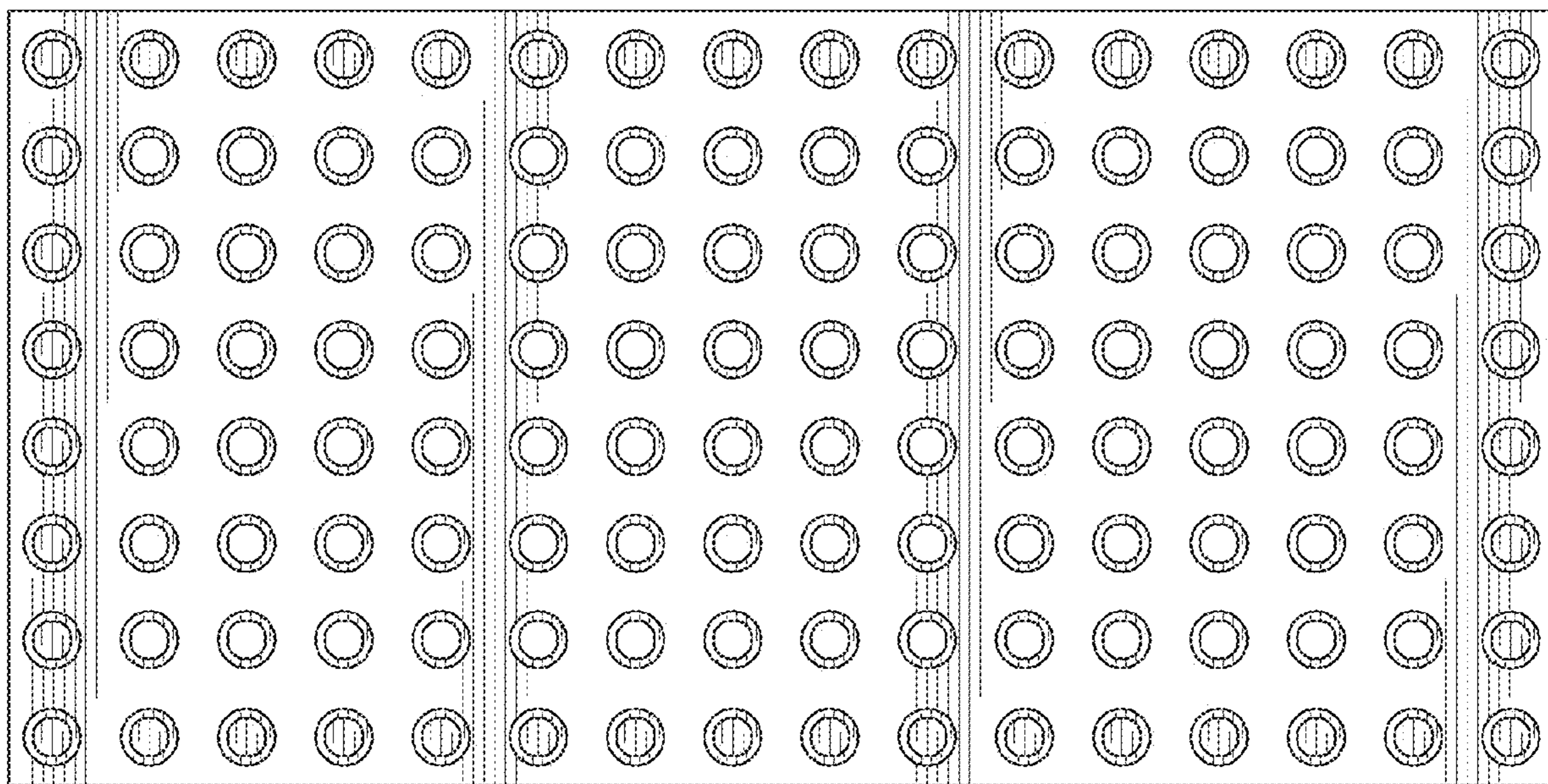


FIG. 7

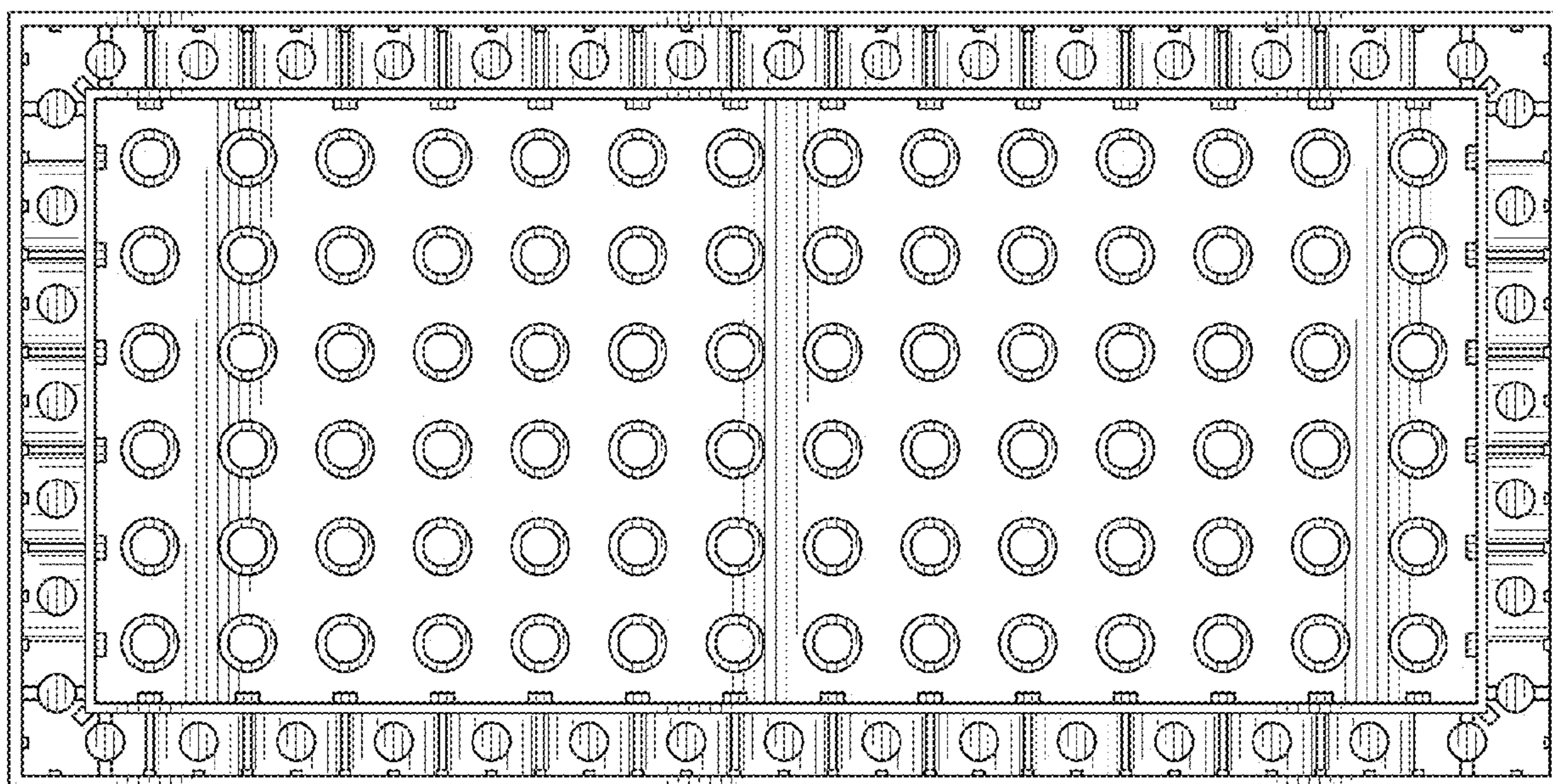


FIG. 8



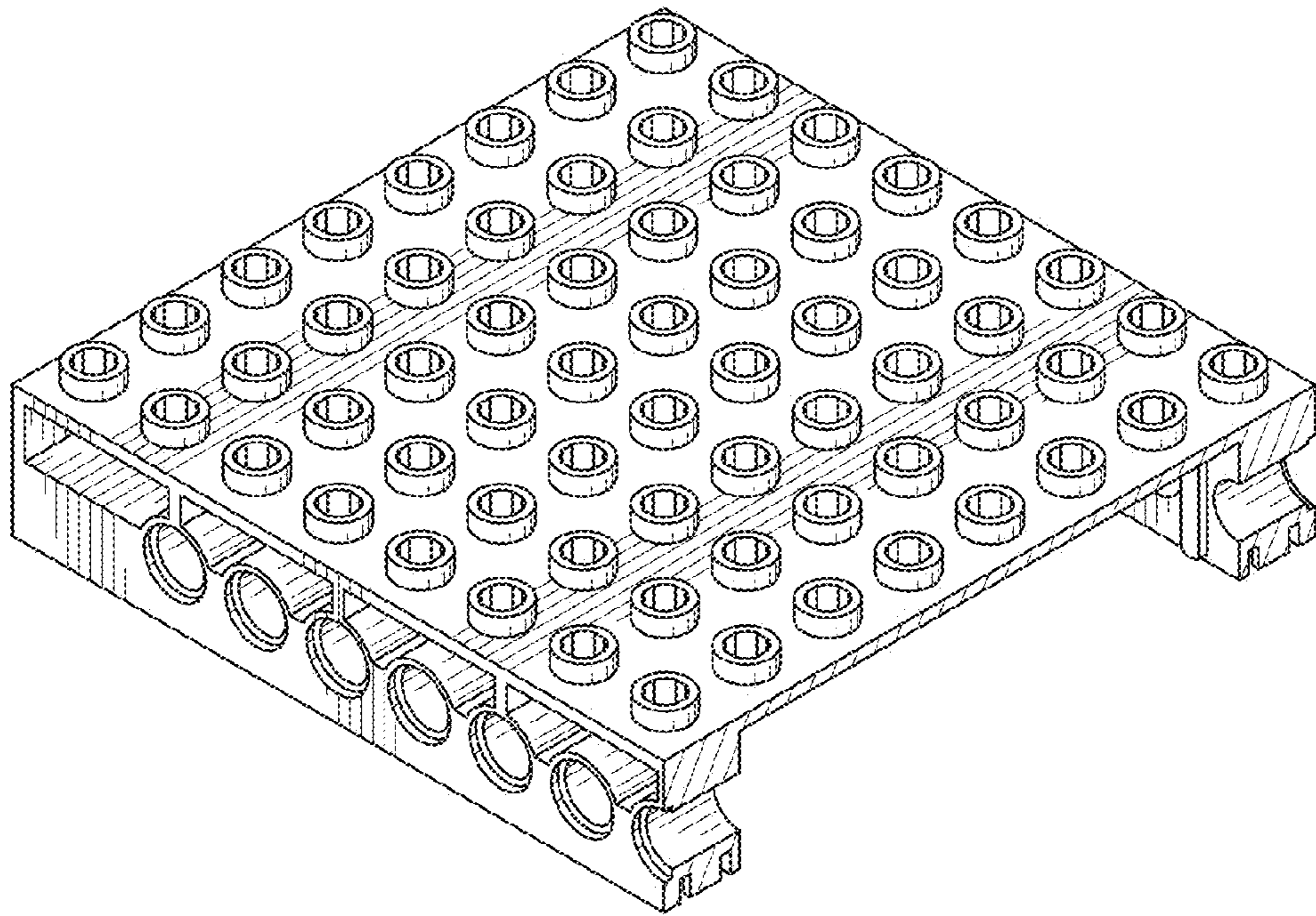


FIG. 9

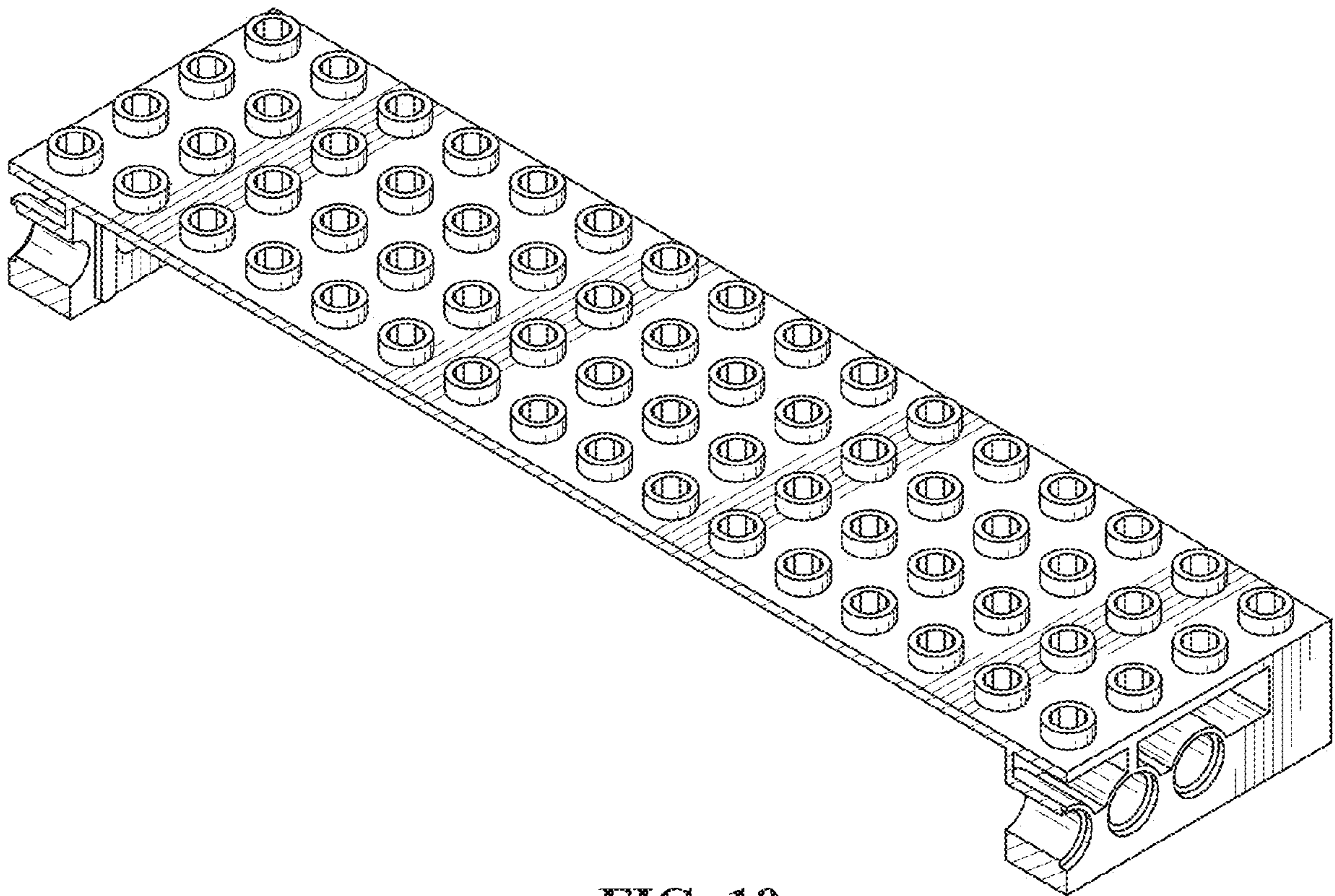


FIG. 10