



US00D919014S

(12) **United States Design Patent** (10) **Patent No.:** **US D919,014 S**  
**Allard** (45) **Date of Patent:** **\*\* May 11, 2021**

(54) <b>BALLOON VALVE ADAPTER</b>	6,790,120 B1 * 9/2004 Murray ..... A63H 27/10 446/220
(71) Applicant: <b>Gerald T. Allard</b> , Lynnwood, WA (US)	6,814,644 B2 11/2004 Nelson et al.
(72) Inventor: <b>Gerald T. Allard</b> , Lynnwood, WA (US)	7,478,779 B2 * 1/2009 Nguyen ..... F21V 3/023 244/24
(**) Term: <b>15 Years</b>	D628,659 S * 12/2010 Burns ..... D21/453
(21) Appl. No.: <b>29/750,610</b>	7,850,328 B2 * 12/2010 Carito ..... A63H 27/10 362/189
(22) Filed: <b>Sep. 15, 2020</b>	D657,002 S * 4/2012 Pollack ..... D21/453
	D753,284 S * 4/2016 Burks ..... D24/110
	D754,472 S * 4/2016 Munari ..... D7/393
	9,731,213 B2 8/2017 Laden et al.
	D814,852 S * 4/2018 Melanson ..... D7/391
	D898,184 S * 10/2020 Miller ..... D24/109
	10,814,239 B1 * 10/2020 Allard ..... A63H 27/10

**Related U.S. Application Data**

(63) Continuation-in-part of application No. 16/790,602, filed on Feb. 13, 2020, now Pat. No. 10,814,239.

(51) **LOC (13) Cl.** ..... **21-01**

(52) **U.S. Cl.**  
USPC ..... **D21/453**

(58) **Field of Classification Search**  
USPC ..... D21/410, 436, 439, 440, 453; D7/392.1, D7/396.2, 393; D9/443, 444; D24/109, D24/110; D23/206; D8/307, 321  
CPC ..... F21V 3/023; G09F 13/00; A63H 27/10; A63H 27/00; Y10S 362/806  
See application file for complete search history.

\* cited by examiner

*Primary Examiner* — John A Voytek  
(74) *Attorney, Agent, or Firm* — Christopher Mayle; Thomas E. LaGrandeur; Bold IP, PLLC

(57) **CLAIM**

The ornamental design for a balloon valve adapter, as shown and described.

**DESCRIPTION**

FIG. 1 is a front isometric view of a balloon valve adapter, showing my new design;  
FIG. 2 is a front view thereof;  
FIG. 3 is a back view thereof;  
FIG. 4 is a right side view thereof;  
FIG. 5 is a left side view thereof;  
FIG. 6 is a top view thereof; and,  
FIG. 7 is a bottom view thereof.

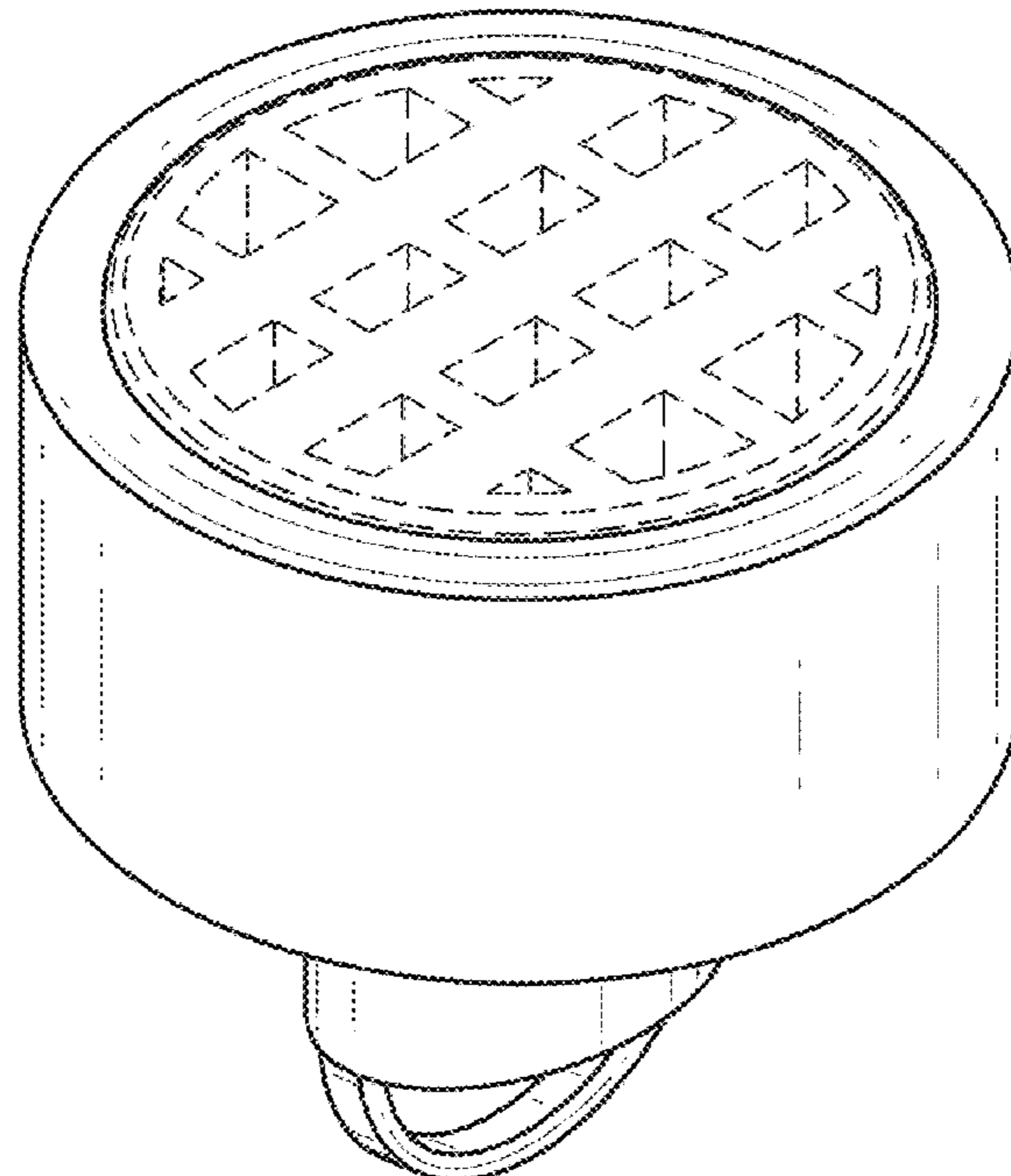
The broken lines in FIGS. 1-7 are for the purpose of illustrating the replaceable cover top and form no part of the claimed design.

**1 Claim, 7 Drawing Sheets**

(56) **References Cited**

**U.S. PATENT DOCUMENTS**

4,674,532 A	6/1987	Koyanagi	
4,701,148 A *	10/1987	Cotey	..... A63H 27/10 137/223
5,165,393 A	11/1992	Kawaguchi	
5,245,991 A *	9/1993	Kawaguchi	..... A63B 23/18 128/200.24
5,496,203 A *	3/1996	Murray	..... A63H 27/10 446/221



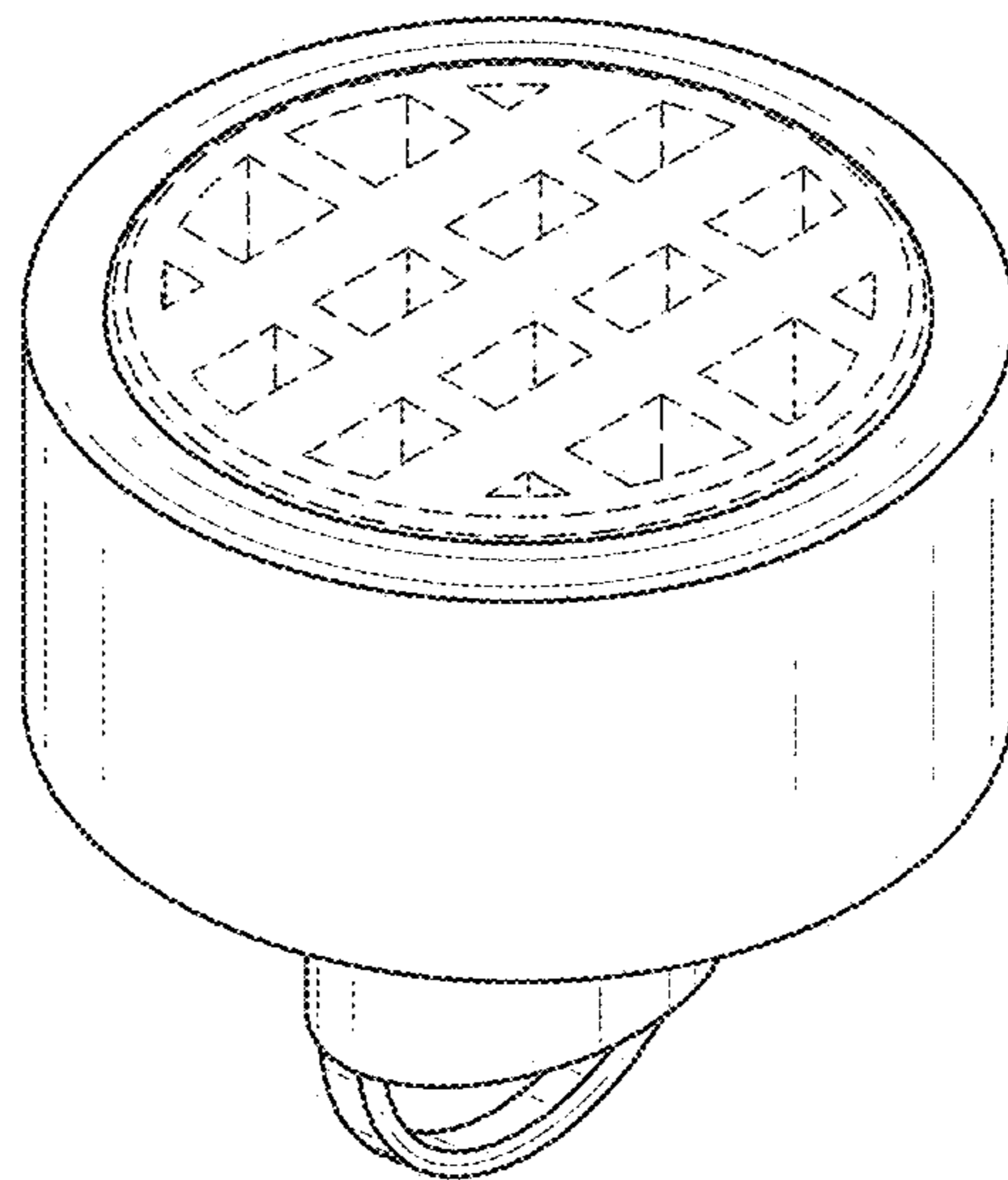


FIG. 1

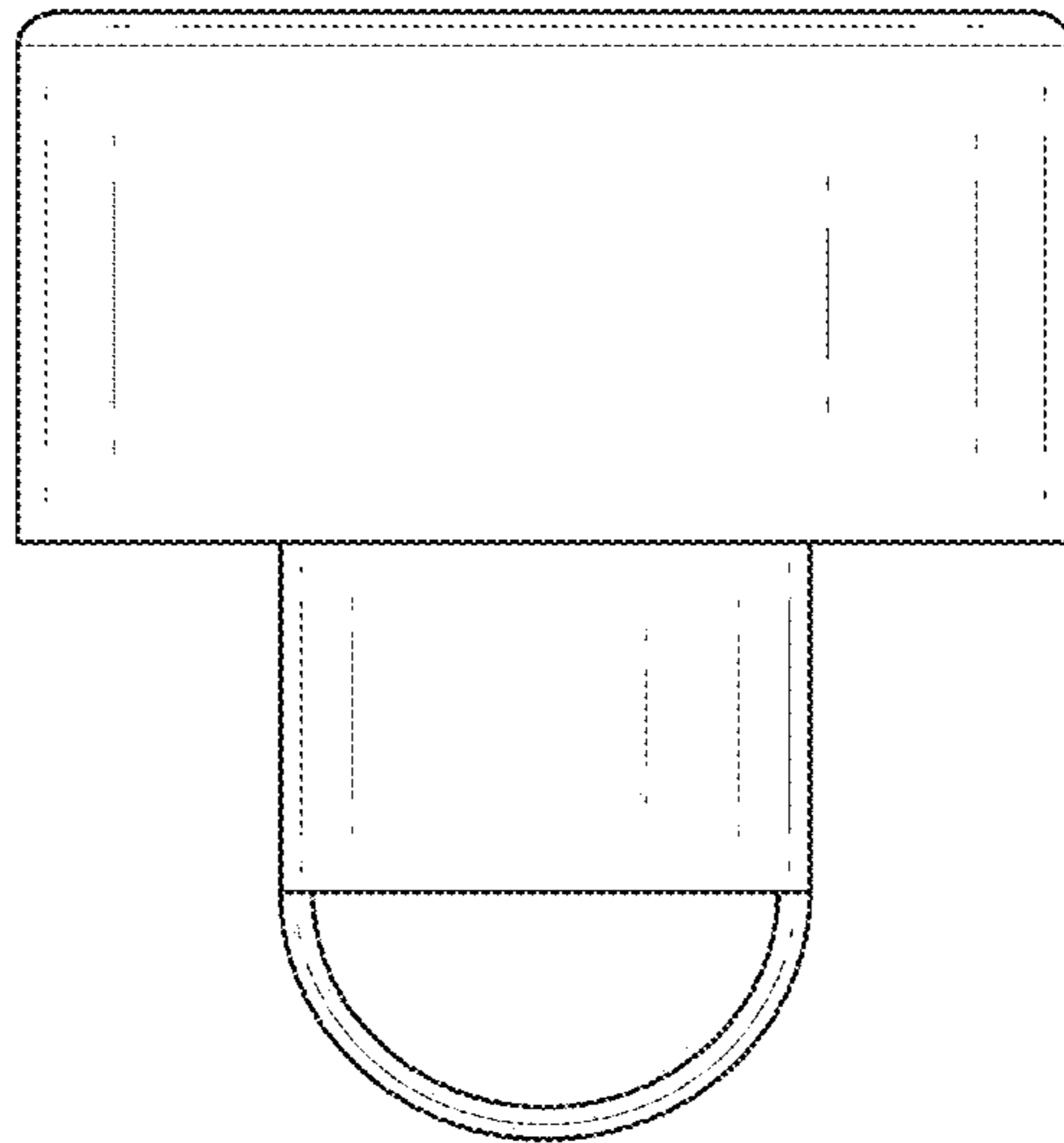


FIG. 2

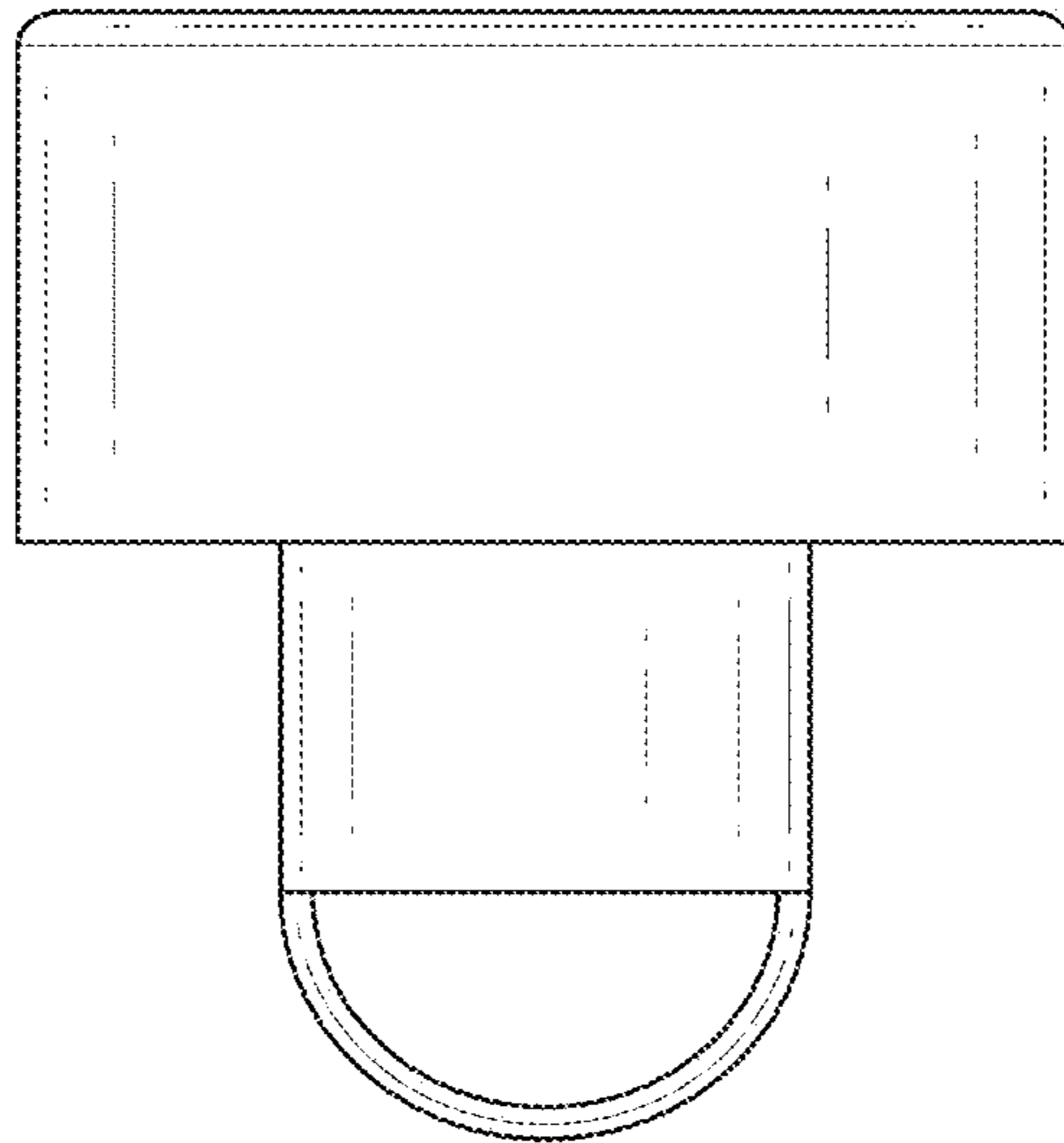


FIG. 3

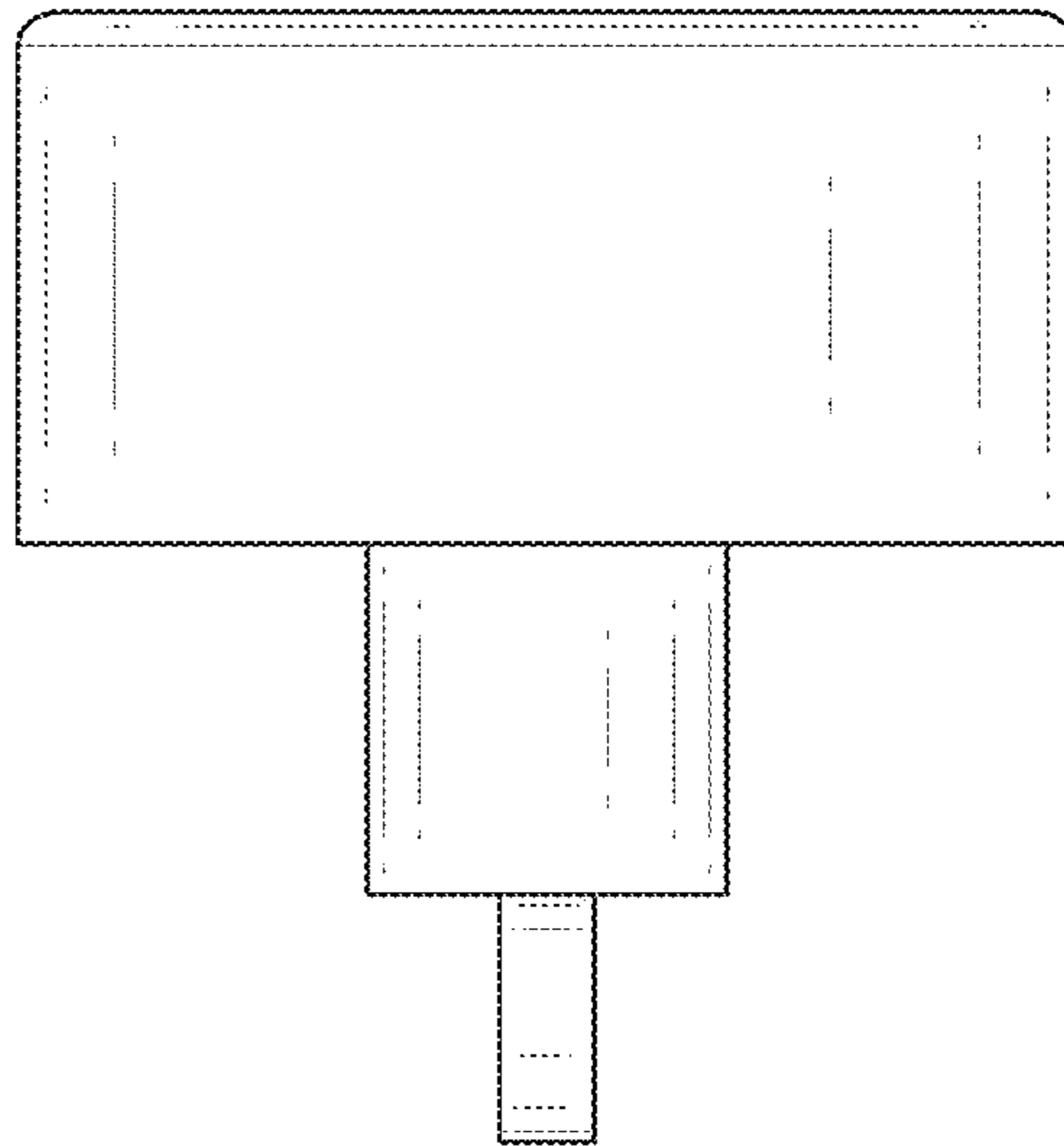


FIG. 4

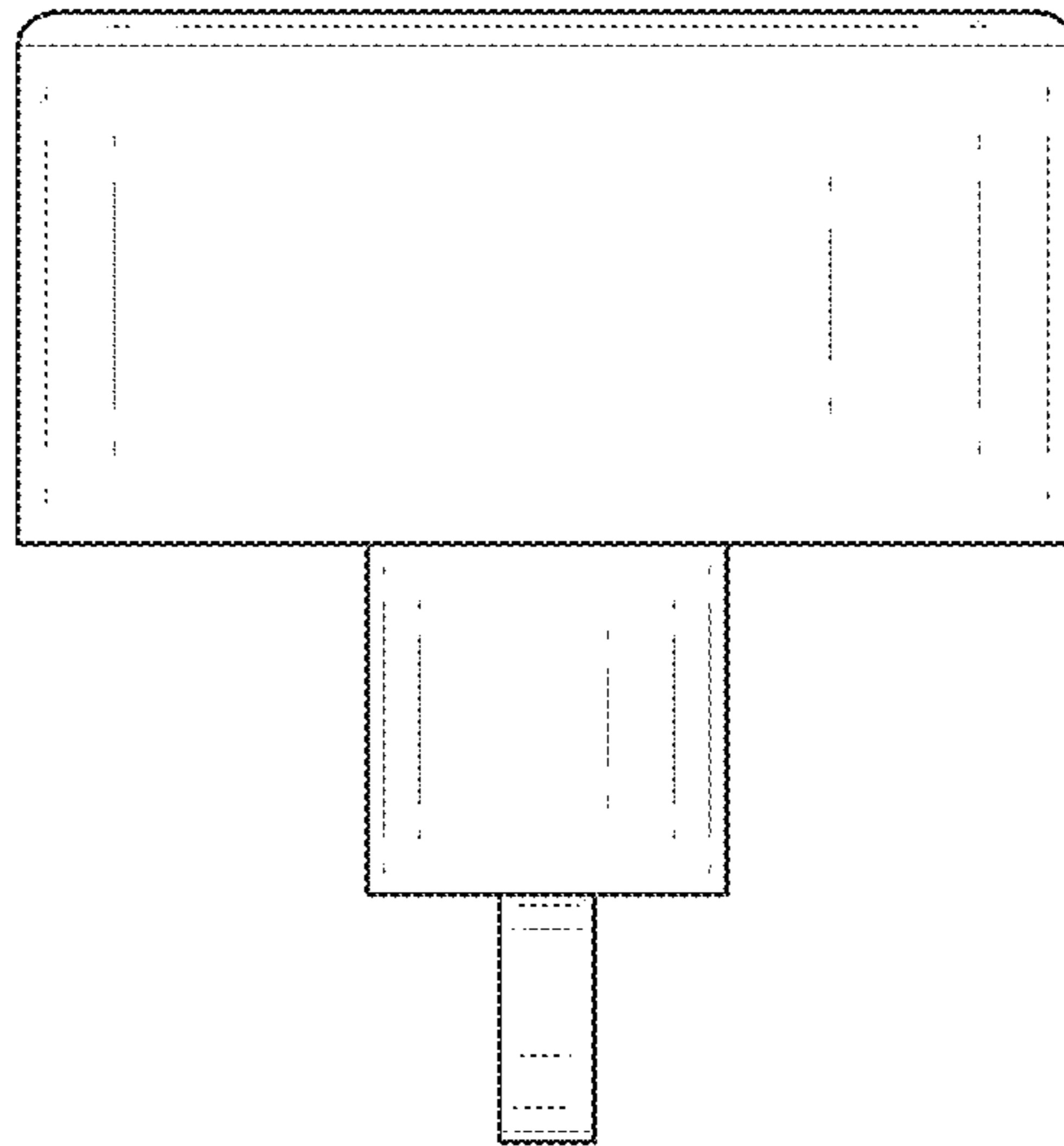


FIG. 5

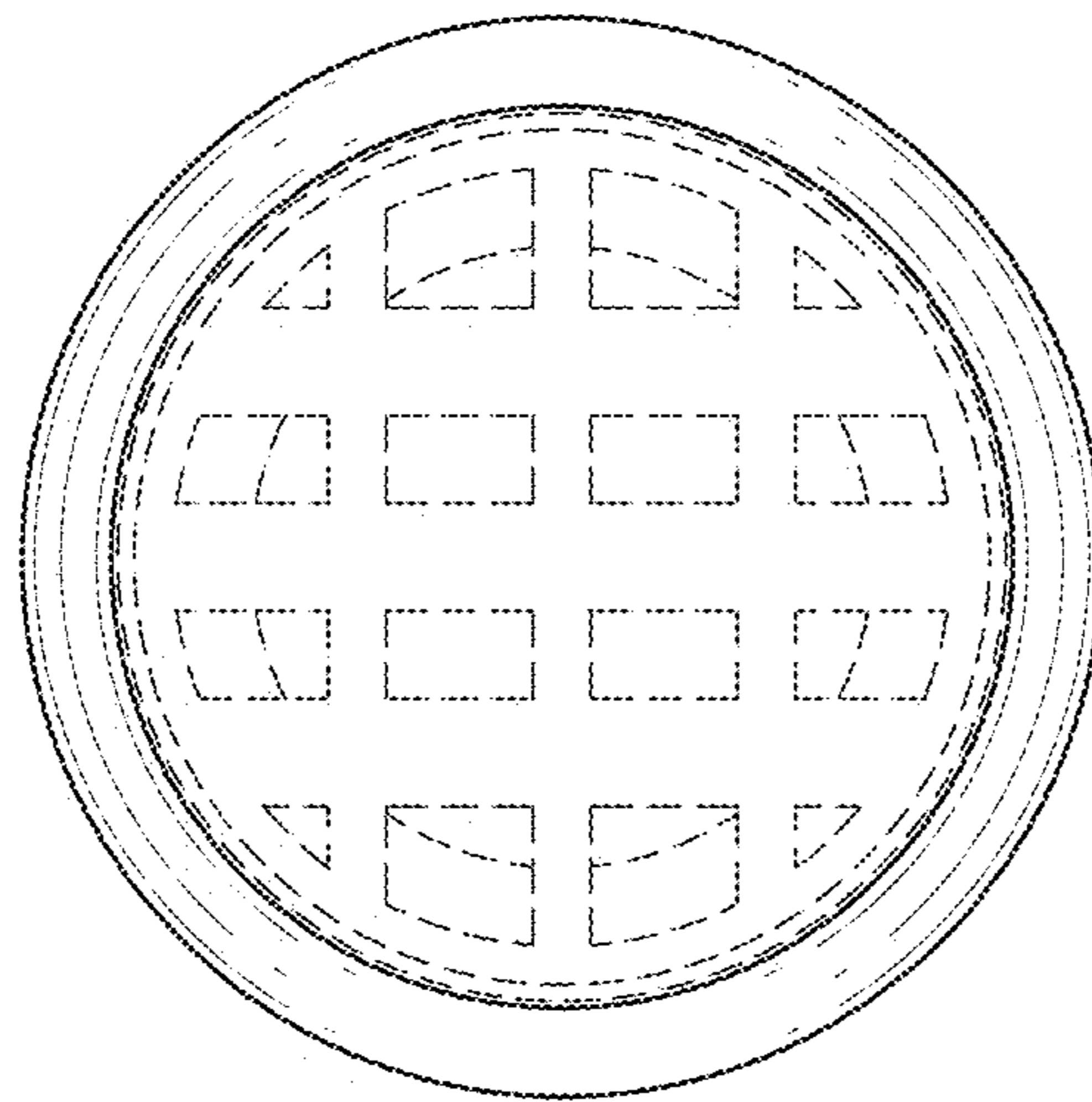


FIG. 6

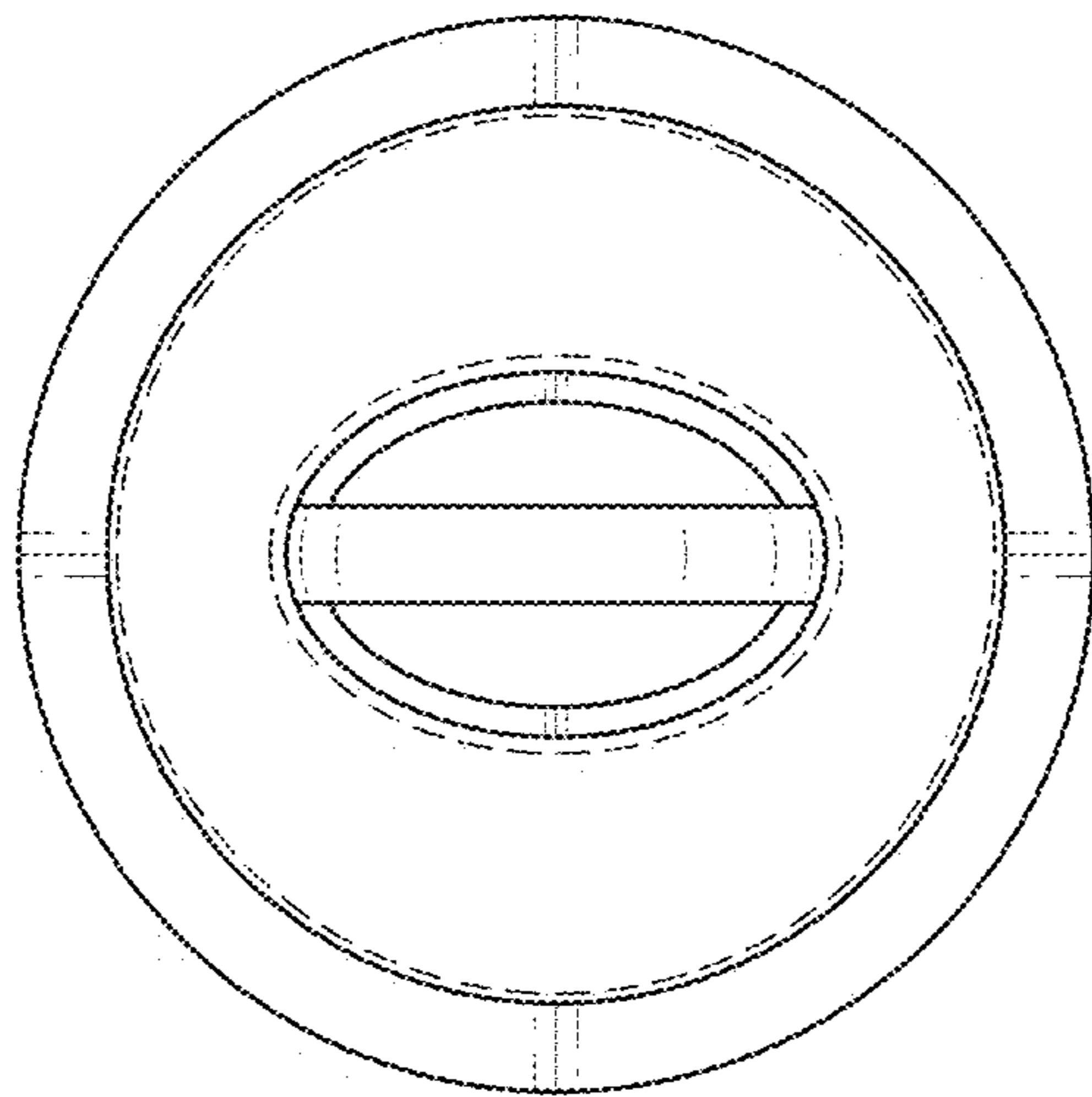


FIG. 7