



US00D919013S

(12) **United States Design Patent**
Ying

(10) **Patent No.:** **US D919,013 S**

(45) **Date of Patent:** **** May 11, 2021**

(54) **MOTORCYCLE FOR CHILDREN**
(71) Applicant: **Zhejiang Apollo Motorcycle Manufacturing Co., Ltd., Zhejiang (CN)**

(72) Inventor: **Er Ying, Zhejiang (CN)**

(**) Term: **15 Years**

(21) Appl. No.: **29/694,266**

(22) Filed: **Jun. 10, 2019**

(51) **LOC (13) Cl.** **21-01**

(52) **U.S. Cl.**
USPC **D21/432**

(58) **Field of Classification Search**
USPC D21/419, 421, 423, 432, 435, 760, 763, D21/771; D12/1, 110
CPC . B62K 3/002; B62K 9/00; B62K 9/02; B62K 13/00; B62K 2202/00; B62K 2015/001; B62K 2015/003; B63K 15/00
See application file for complete search history.

(56) **References Cited**

U.S. PATENT DOCUMENTS

D446,476 S * 8/2001 Wallace D12/110
D483,078 S * 12/2003 Jung D21/423

D738,437 S * 9/2015 Spence D21/432
D798,959 S * 10/2017 Le D21/423
D803,948 S * 11/2017 Chis D21/423
D832,931 S * 11/2018 Gudushauri D21/423
2016/0075400 A1* 3/2016 Ragland B62K 13/00
180/220
2018/0222549 A1* 8/2018 Ragland B62K 9/00

* cited by examiner

Primary Examiner — Cynthia M. Chin

(74) *Attorney, Agent, or Firm* — Prakash Nama; Global IP Services, PLLC

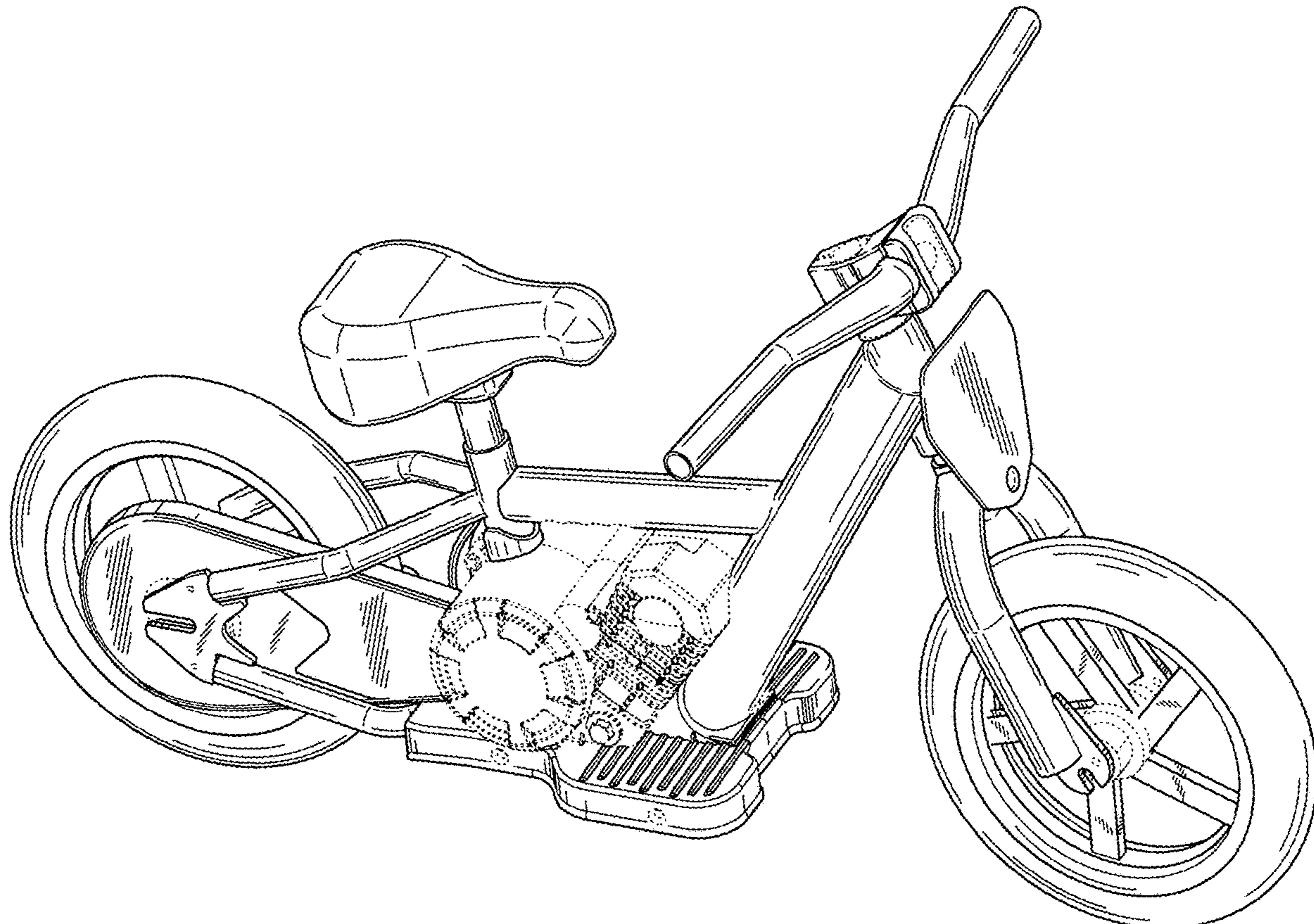
(57) **CLAIM**

The ornamental design for a motorcycle for children, as shown and described.

DESCRIPTION

FIG. 1 is a perspective view of a motorcycle for children showing my new design;
FIG. 2 is a rear elevational view thereof;
FIG. 3 is a front elevational view thereof;
FIG. 4 is a right side view thereof;
FIG. 5 is a left side view thereof;
FIG. 6 is a top plan view thereof; and,
FIG. 7 is a bottom plan view thereof.
The broken lines are for the purpose of illustrating portions of the article that form no part of the claimed design.

1 Claim, 7 Drawing Sheets



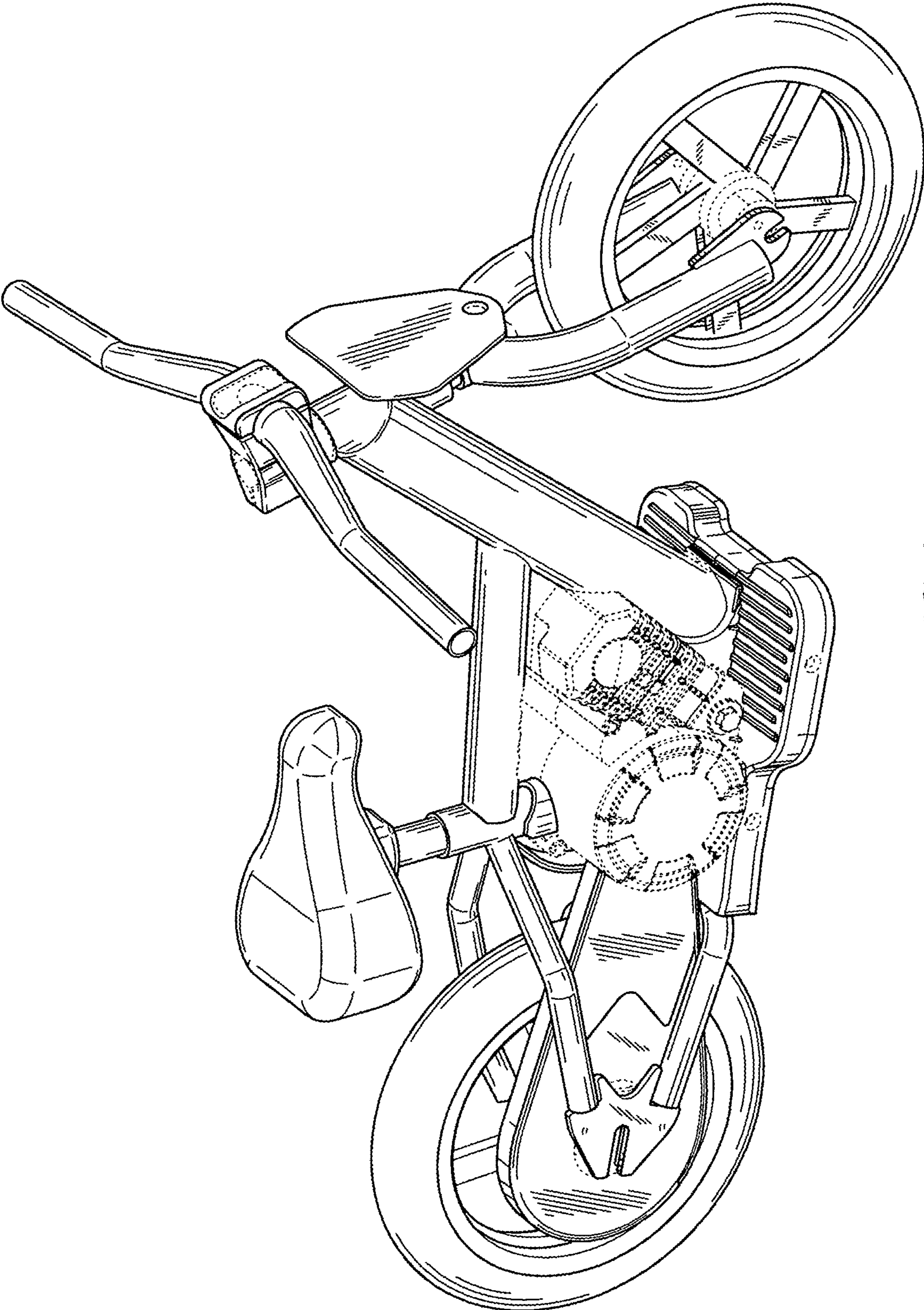


FIG. 1

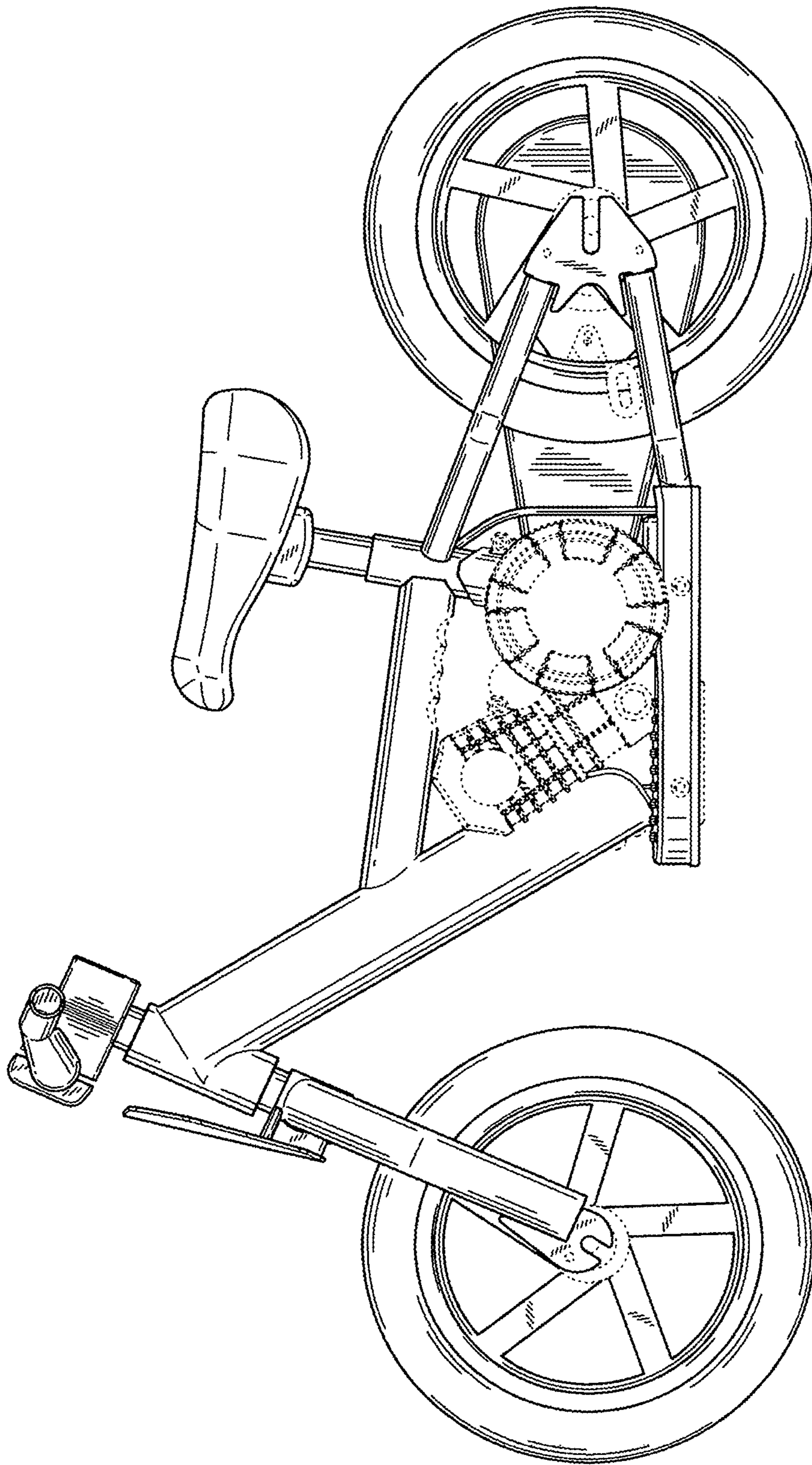


FIG. 2

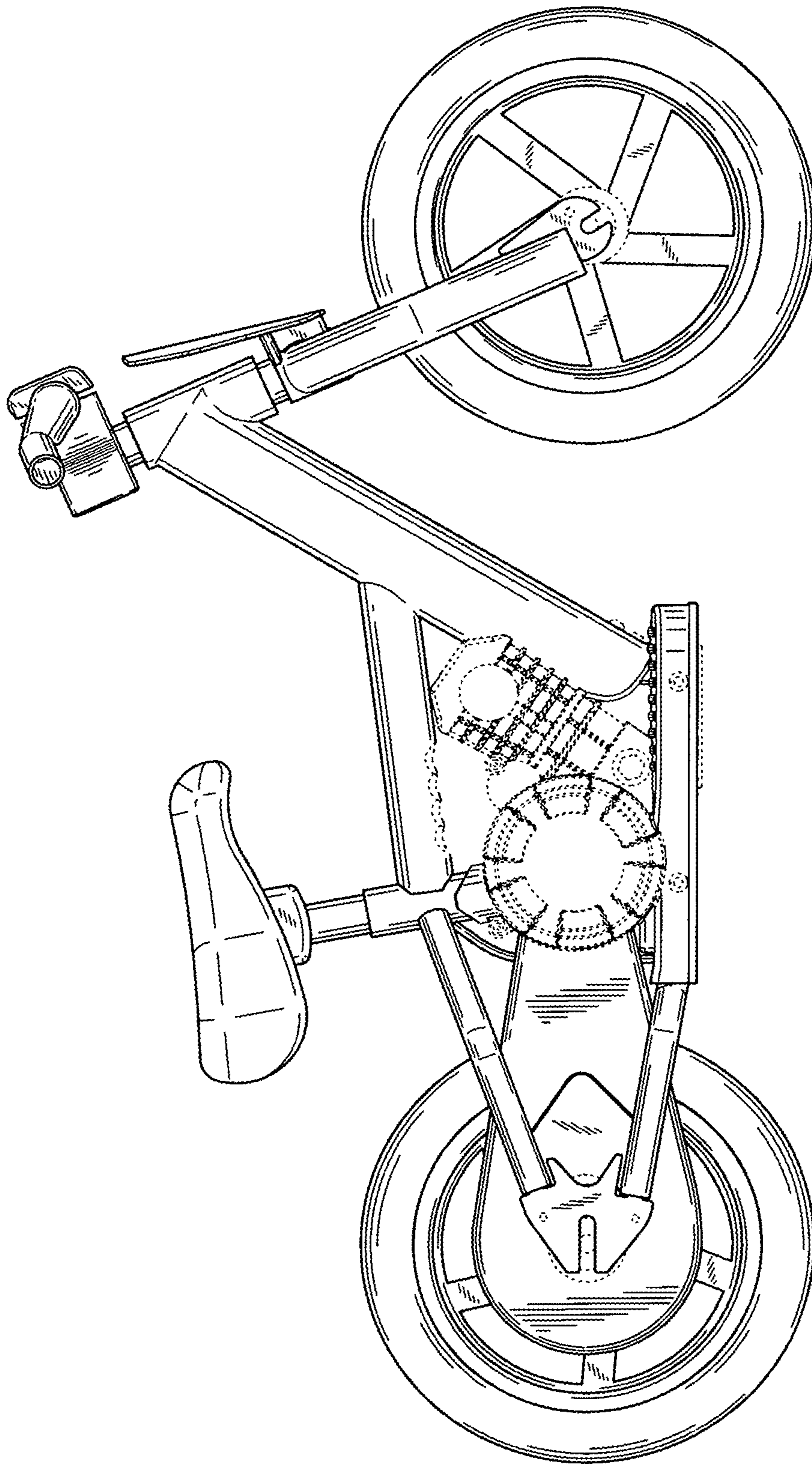


FIG. 3

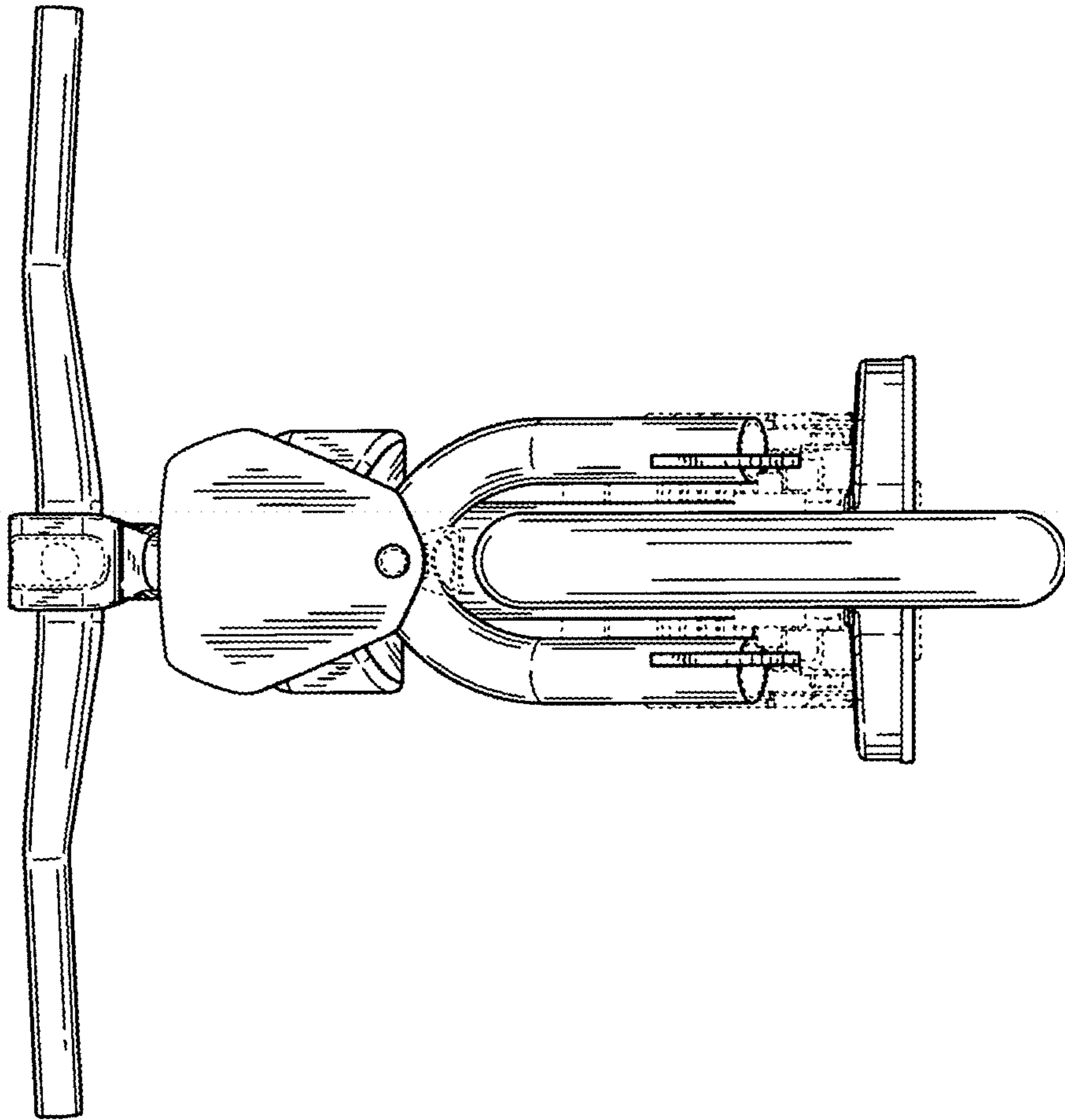


FIG. 4

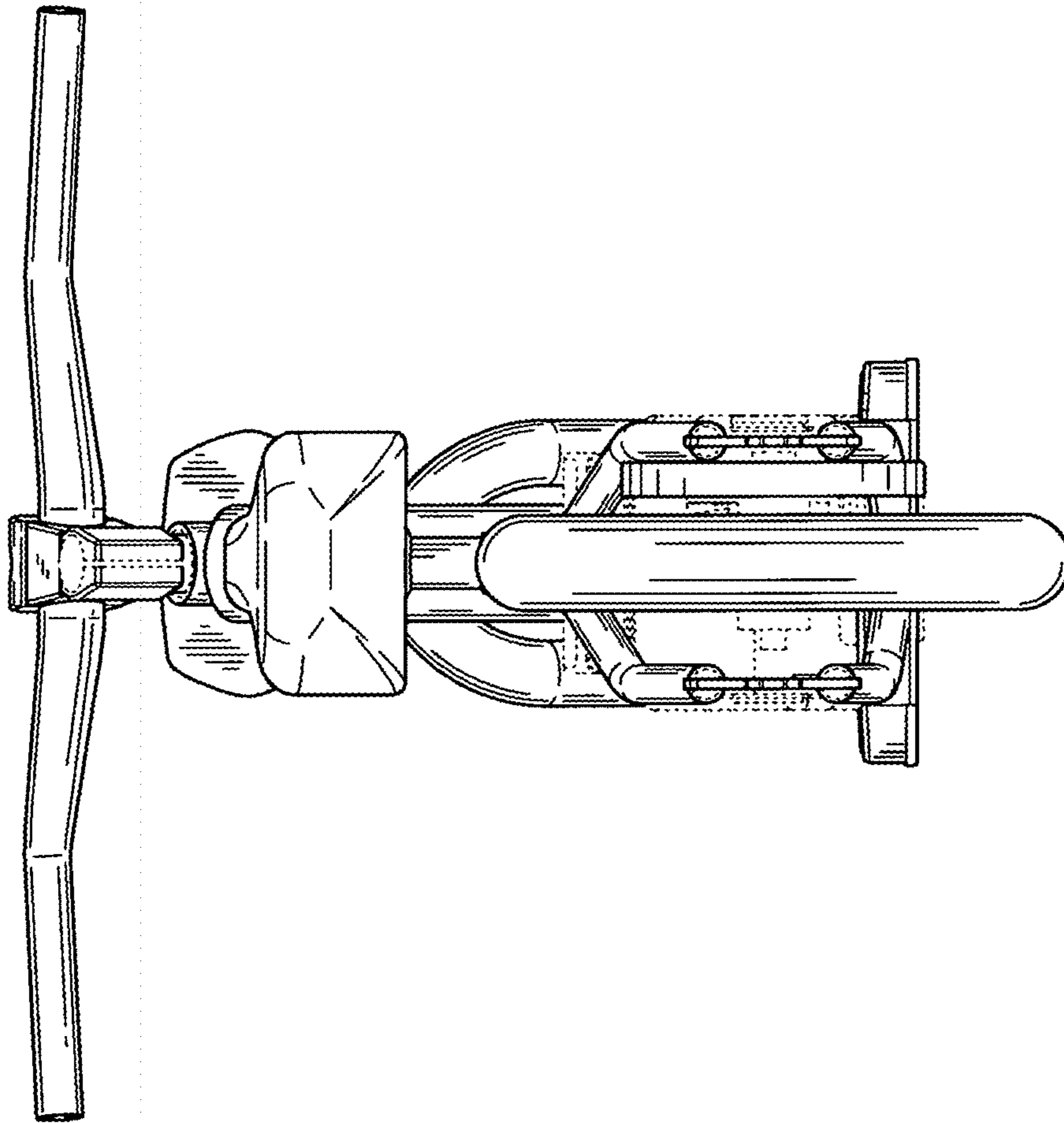


FIG. 5

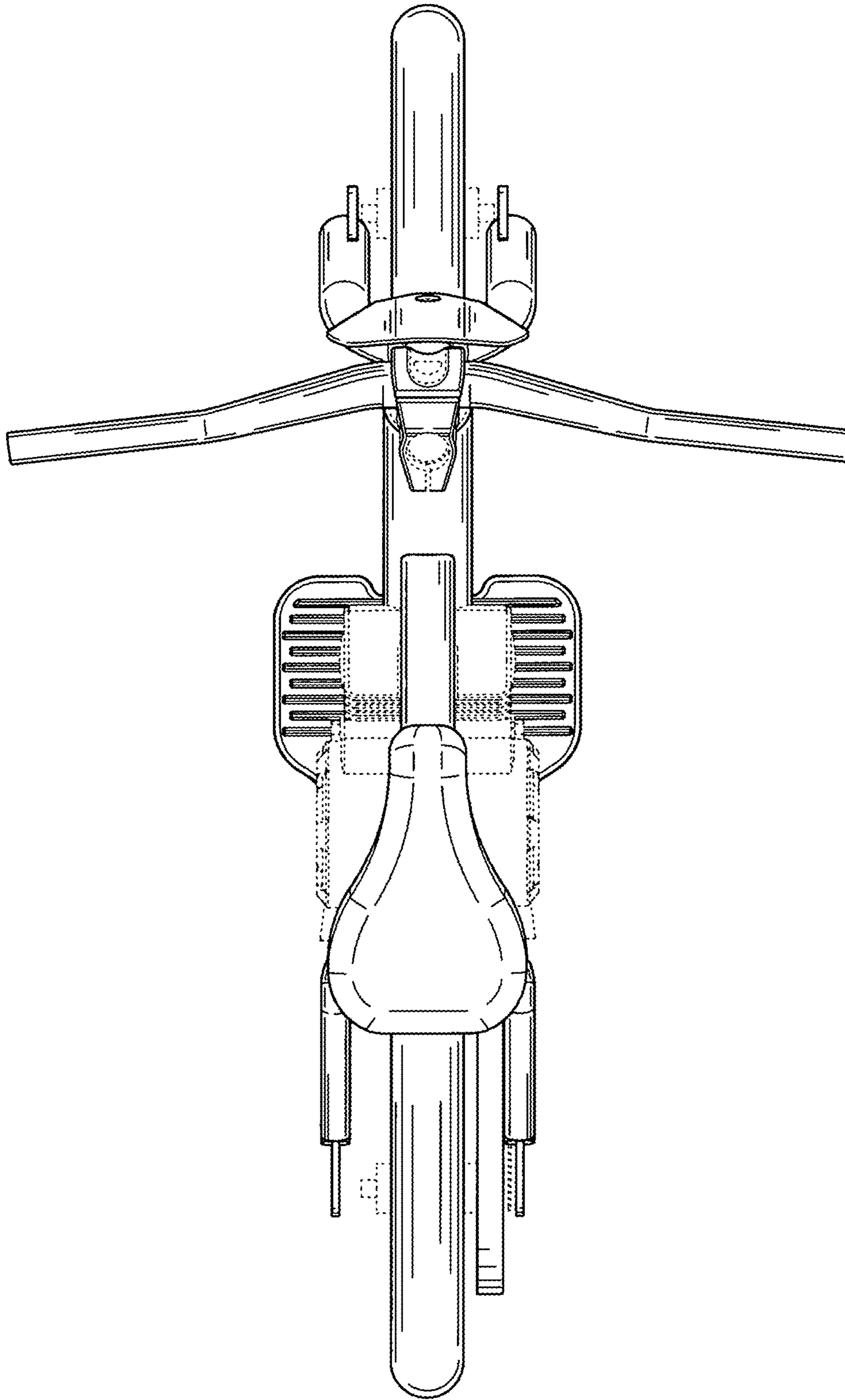


FIG. 6

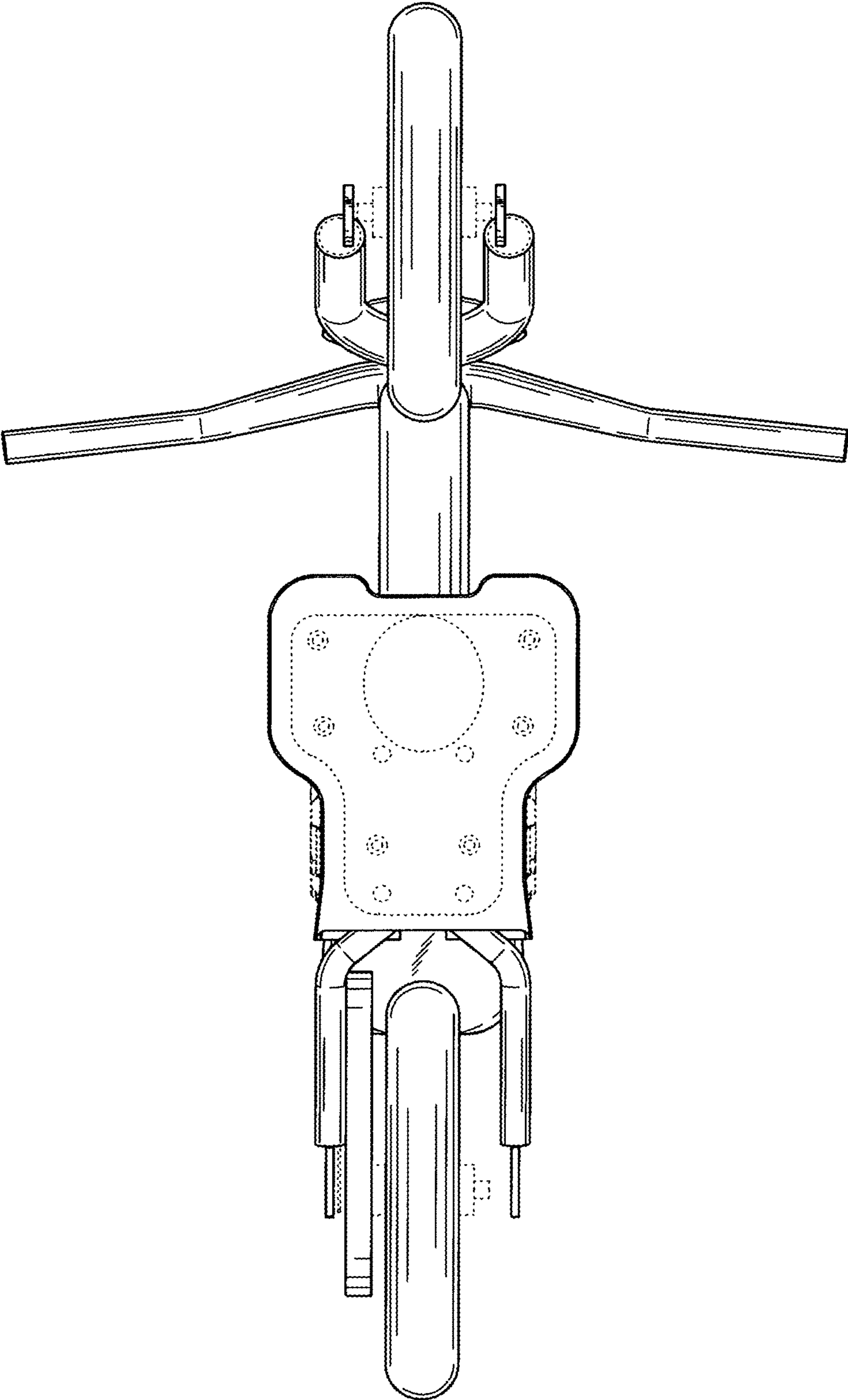


FIG. 7