



US00D919012S

(12) **United States Design Patent**
Brown et al.

(10) **Patent No.: US D919,012 S**

(45) **Date of Patent: ** *May 11, 2021**

(54) **SCOOTER**

(71) Applicant: **East Simpson Enterprises Inc.**, Erie,
CO (US)

(72) Inventors: **Gabriel A. Brown**, Longmont, CO
(US); **Curt R. Cheesman**, Erie, CO
(US)

(73) Assignee: **East Simpson Enterprises Inc.**, Erie,
CO (US)

(*) Notice: This patent is subject to a terminal dis-
claimer.

(**) Term: **15 Years**

(21) Appl. No.: **29/749,607**

(22) Filed: **Sep. 8, 2020**

Related U.S. Application Data

(63) Continuation of application No. 29/723,669, filed on
Feb. 10, 2020, now Pat. No. Des. 899,528, which is
a continuation of application No. 29/660,454, filed on
Aug. 21, 2018, now Pat. No. Des. 880,622.

(51) **LOC (13) Cl.** **21-01**

(52) **U.S. Cl.**
USPC **D21/423**

(58) **Field of Classification Search**
USPC D21/419, 421, 423, 426-428, 435, 760,
D21/765, 771; D12/1, 8, 108, 112, 113
CPC . B62K 3/002; B62K 9/00; B62K 9/02; B62K
13/00; B62K 2202/00
See application file for complete search history.

(56) **References Cited**

U.S. PATENT DOCUMENTS

D457,197 S * 5/2002 Becker D21/423
6,450,516 B1 * 9/2002 Nall B62K 3/002
280/288.1

D656,998 S * 4/2012 Wiggins D21/423
8,794,654 B1 * 8/2014 Chen B62K 9/00
280/287
D721,990 S * 2/2015 Lugo B62K 9/00
D12/111
D755,899 S * 5/2016 Castrucci D21/423
D774,961 S * 12/2016 Allen D12/110
D798,959 S * 10/2017 Le D21/423
D803,948 S * 11/2017 Chis D21/423
D814,978 S * 4/2018 Niu D12/110
D832,931 S * 11/2018 Gudushauri D21/423
D892,937 S * 8/2020 Chis D21/423

OTHER PUBLICATIONS

Daymak Beast: A Solar Powered Mini-Bike Published Aug. 29,
2017. Author unknown. Retrieved from <https://oddtymall.com/daymak-s-the-beast-a-solar-powered-mini-bike>.

* cited by examiner

Primary Examiner — Cynthia M. Chin
(74) *Attorney, Agent, or Firm* — Schneider IP Law LLC;
Laura A. Schneider

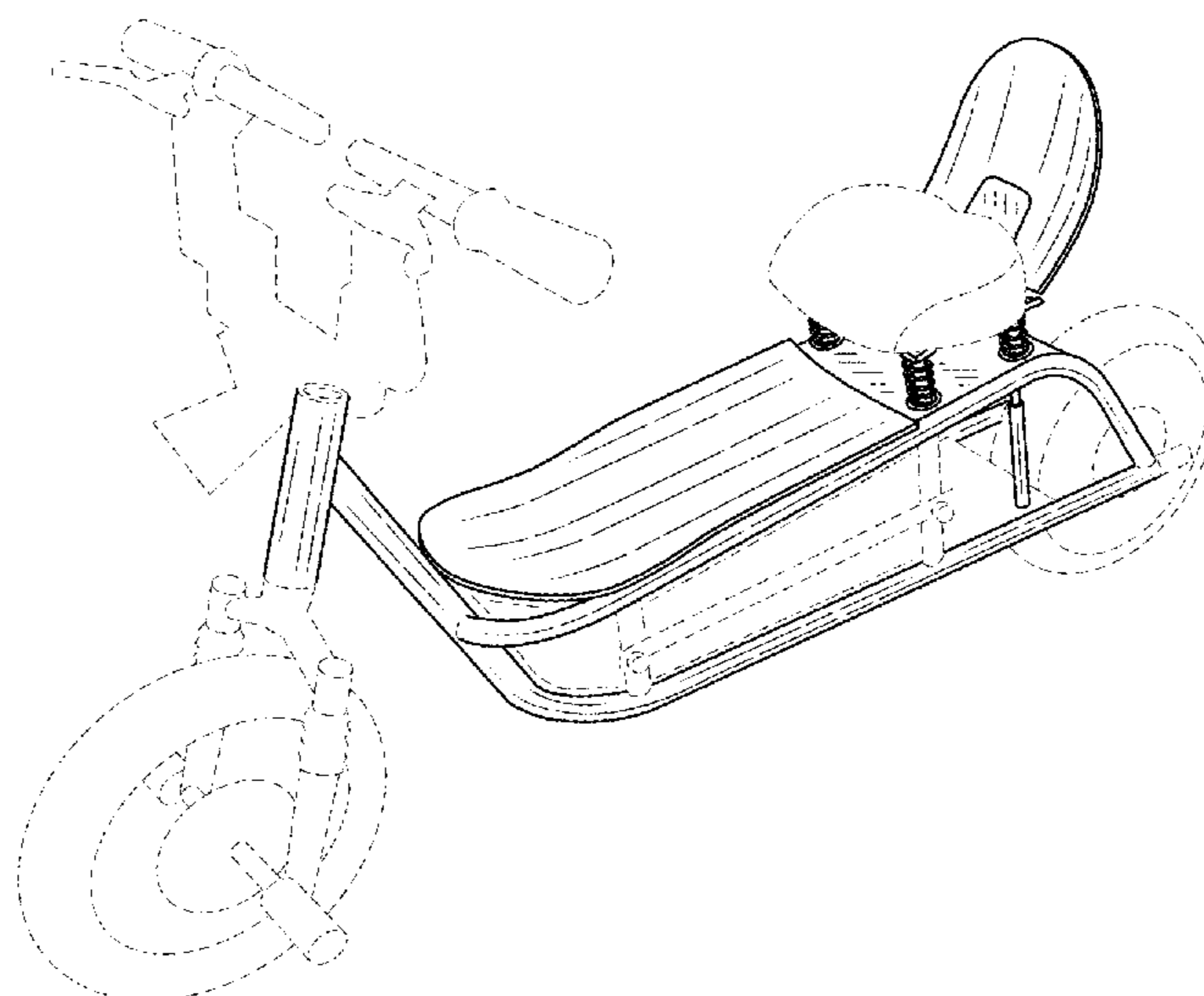
(57) **CLAIM**

The ornamental design for a frame for a scooter, as shown
and described.

DESCRIPTION

FIG. 1 is a perspective from the front and side of an
embodiment of the scooter;
FIG. 2 is a front perspective view of the scooter in FIG. 1;
FIG. 3 is a back perspective view of the scooter in FIG. 1
FIG. 4 is a right side perspective view of the scooter in FIG.
1; and,
FIG. 5 is a left side perspective view of the scooter in FIG.
1.
Features of the article that are not shown are not claimed.
The broken lines shown are included for the purpose of
illustrating portions of the scooter which form no part of the
claimed design.

1 Claim, 5 Drawing Sheets



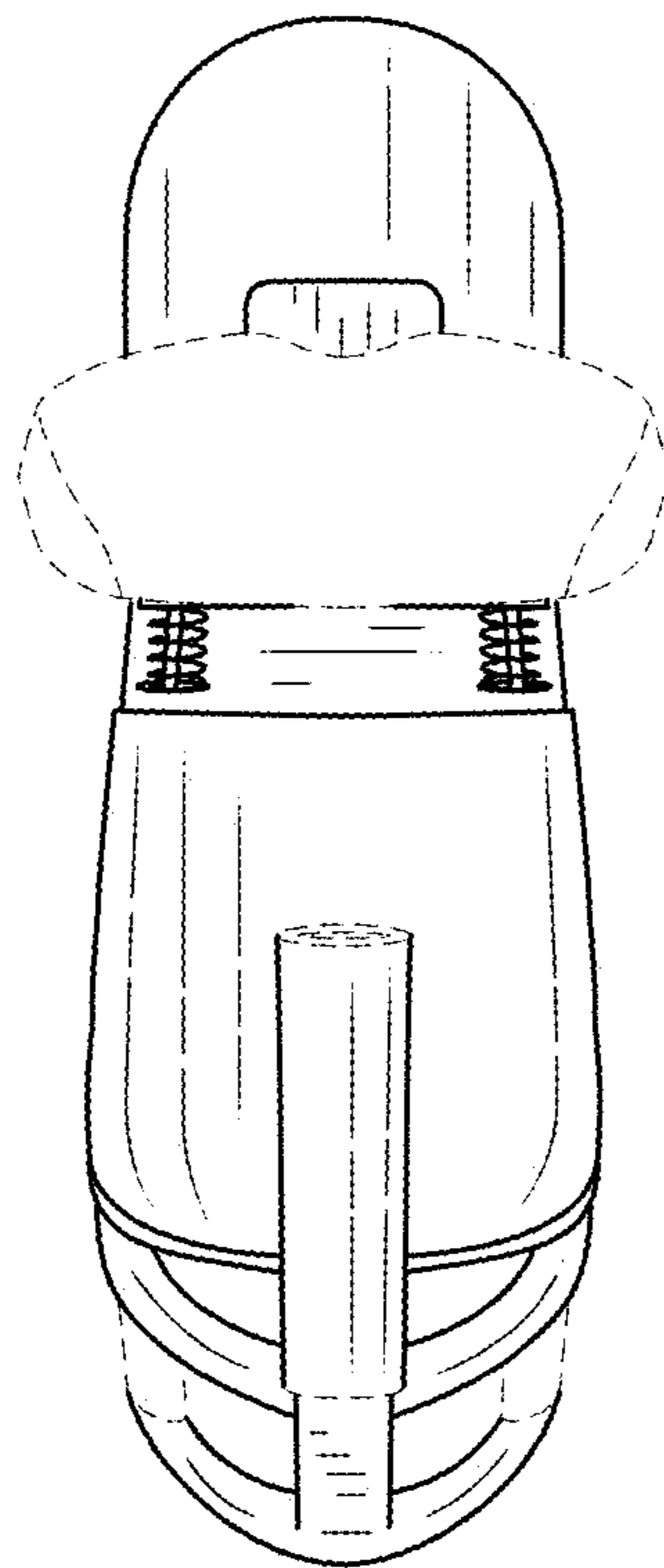


FIG. 2

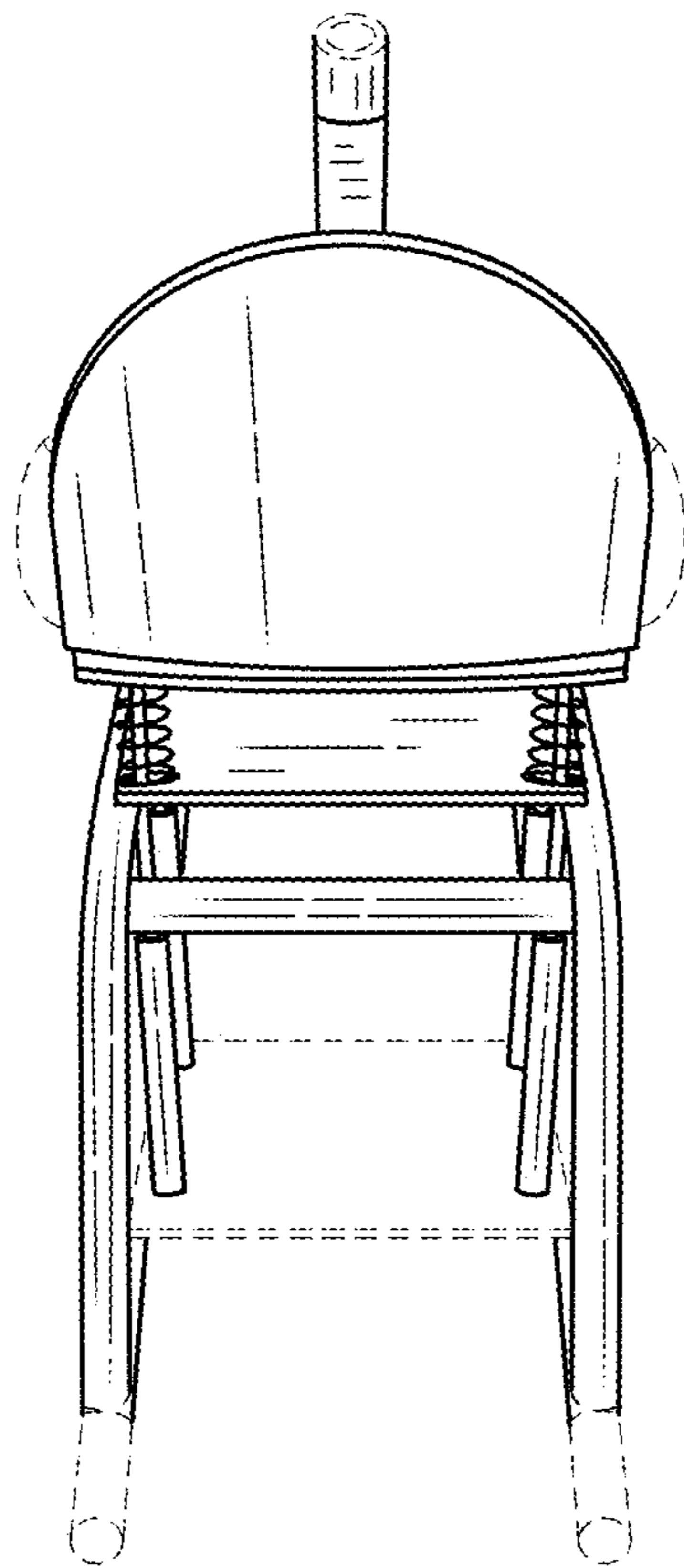


FIG. 3

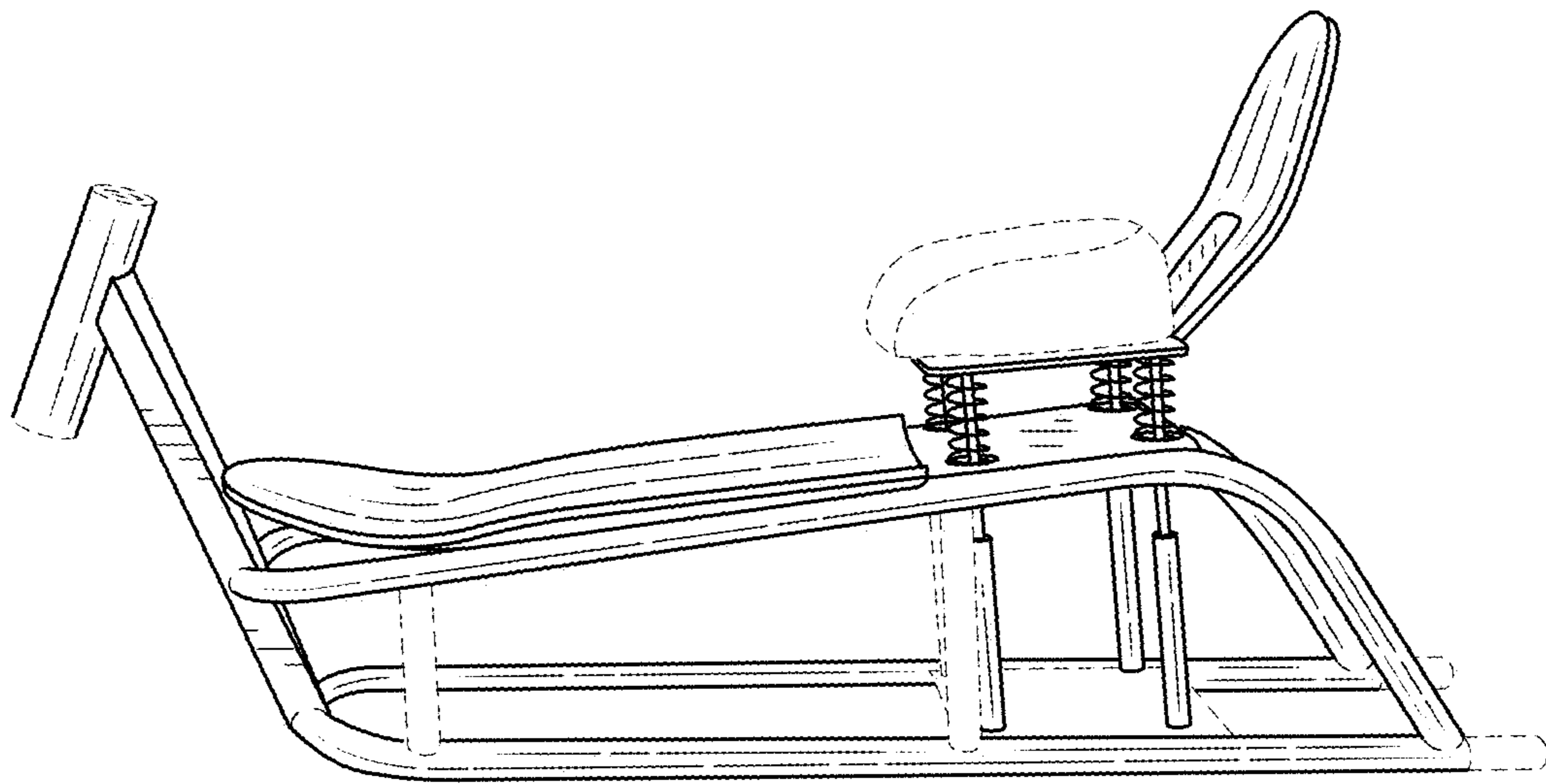


FIG. 4

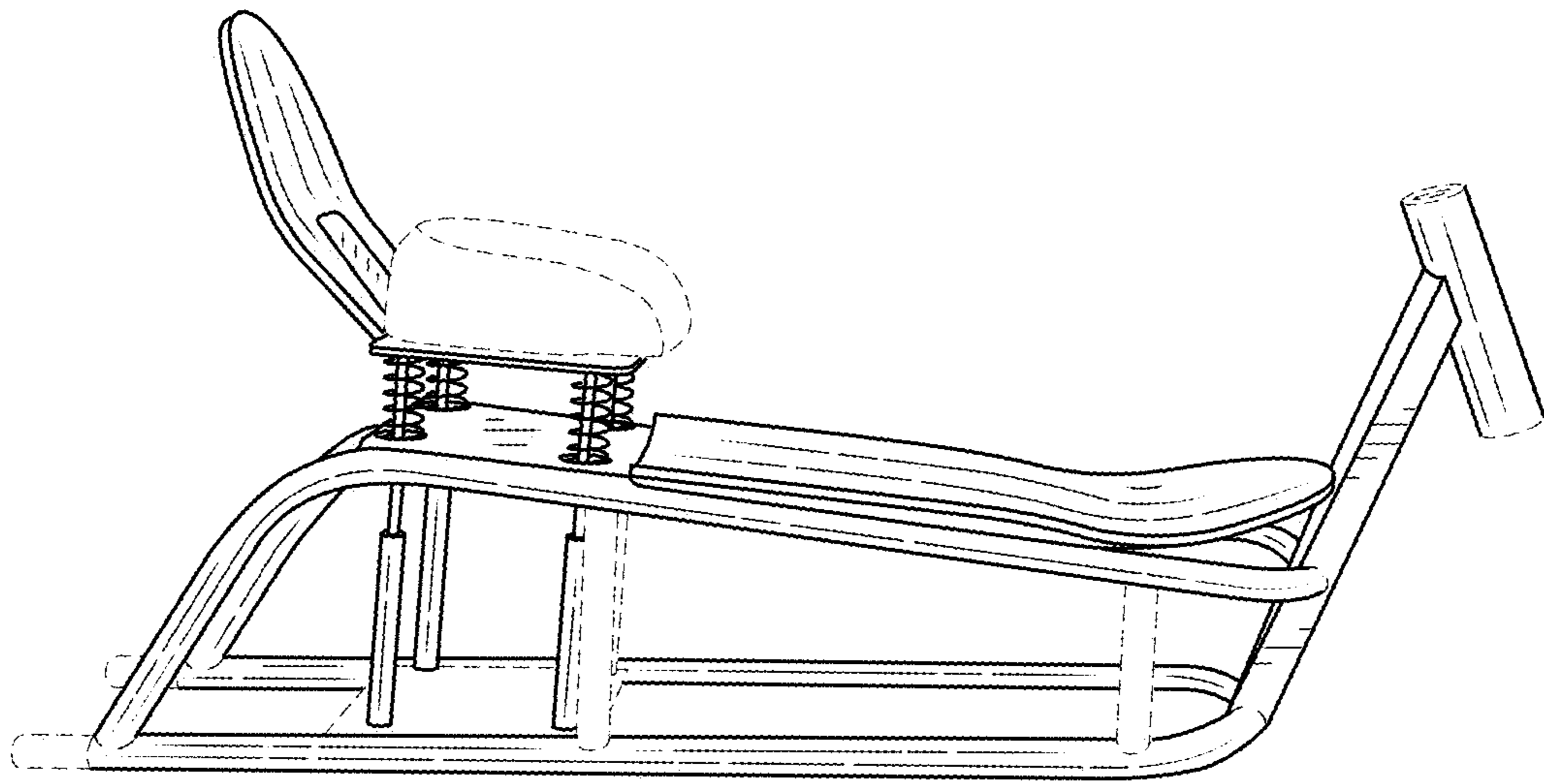


FIG. 5