



US00D919011S

(12) **United States Design Patent**
Fan et al.

(10) **Patent No.:** **US D919,011 S**

(45) **Date of Patent:** **** May 11, 2021**

(54) **SCOOTER WHEEL**

(71) Applicant: **HONGJI INTELLIGENT BIKE CO., LTD**, Changzhou (CN)

(72) Inventors: **Feng Fan**, Changzhou (CN); **Meng Zhu**, Changzhou (CN); **Yang Li**, Changzhou (CN)

(**) Term: **15 Years**

(21) Appl. No.: **29/710,077**

(22) Filed: **Oct. 21, 2019**

(30) **Foreign Application Priority Data**

Oct. 8, 2019 (CN) 201930544877.0

(51) **LOC (13) Cl.** **21-01**

(52) **U.S. Cl.**
USPC **D21/423**; D21/779

(58) **Field of Classification Search**

USPC D21/419, 421, 423, 432, 435, 563, 760, D21/763, 765, 771, 779; D12/1, 110

CPC B62K 3/002; B62K 9/00; B62K 2202/00; B62K 15/00; B62K 2015/001; B62K 2015/003; B60Y 2200/126

See application file for complete search history.

(56) **References Cited**

U.S. PATENT DOCUMENTS

D301,157 S * 5/1989 Hess D21/423
D437,281 S * 2/2001 Chen D12/211

D452,284 S * 12/2001 McGinnis D21/423
D480,436 S * 10/2003 Hong D21/423
D671,600 S * 11/2012 Horne D21/423
9,573,417 B2 * 2/2017 Wang B60B 19/00
D783,752 S * 4/2017 Snoek D21/779
D795,375 S * 8/2017 Xingrui D21/779
10,526,034 B2 * 1/2020 Hadley B62K 3/002
D897,445 S * 9/2020 Im D21/423
D900,237 S * 10/2020 Lee D21/423
2014/0312588 A1 * 10/2014 Davis B60B 33/0049
280/87.041
2015/0042147 A1 * 2/2015 Snoek B60B 3/02
301/5.7
2017/0225511 A1 * 8/2017 Barrett B60B 3/002

* cited by examiner

Primary Examiner — Cynthia M. Chin

(57) **CLAIM**

The ornamental design for a scooter wheel, as shown and described.

DESCRIPTION

FIG. 1 is a perspective view of the scooter wheel showing my new design;

FIG. 2 is a front view thereof;

FIG. 3 is a back view thereof;

FIG. 4 is a left side view thereof;

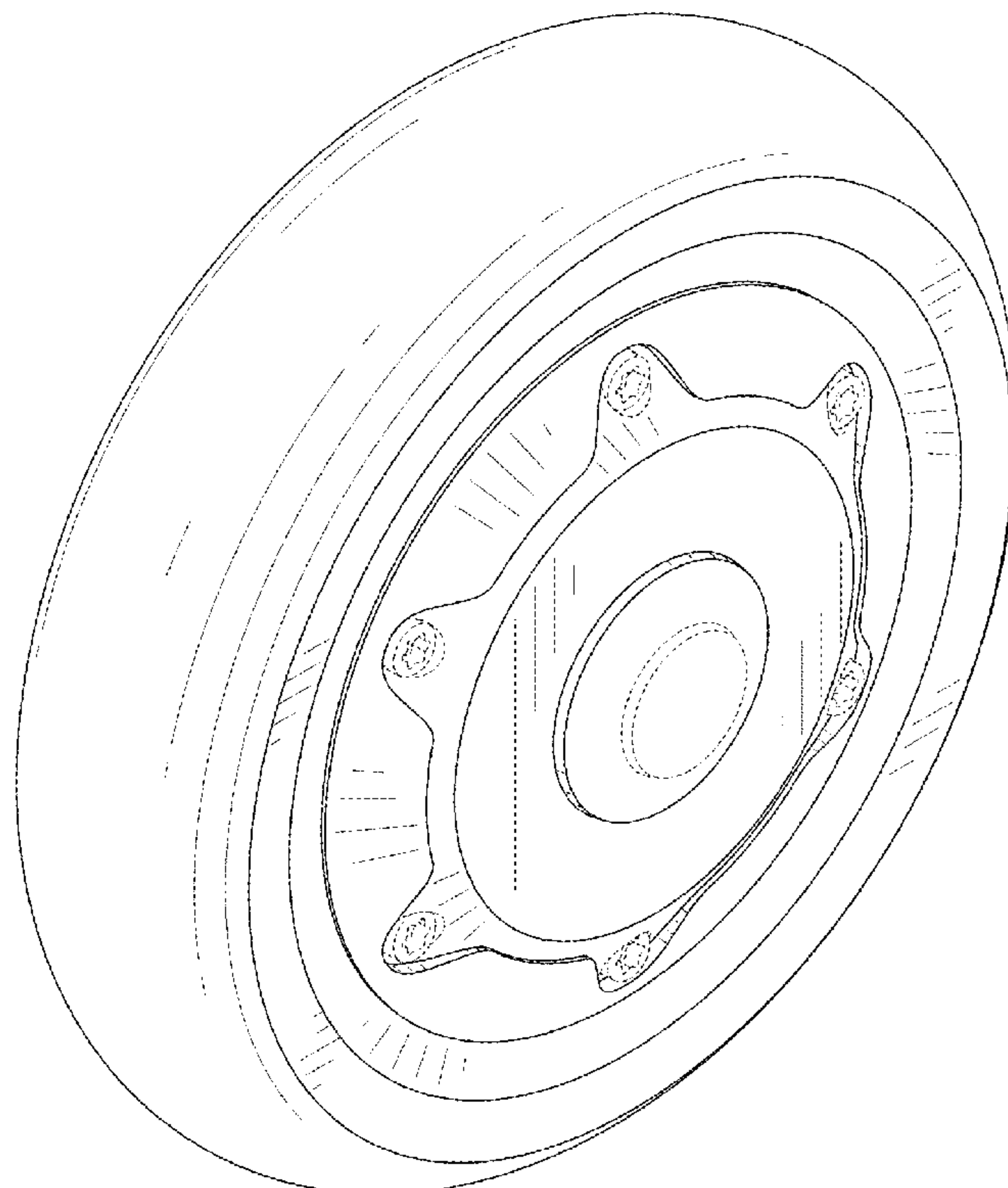
FIG. 5 is a right side view thereof;

FIG. 6 is a top view thereof; and,

FIG. 7 is a bottom view thereof.

The broken lines are for the purpose of illustrating portions of the scooter wheel that form no part of the claim.

1 Claim, 7 Drawing Sheets



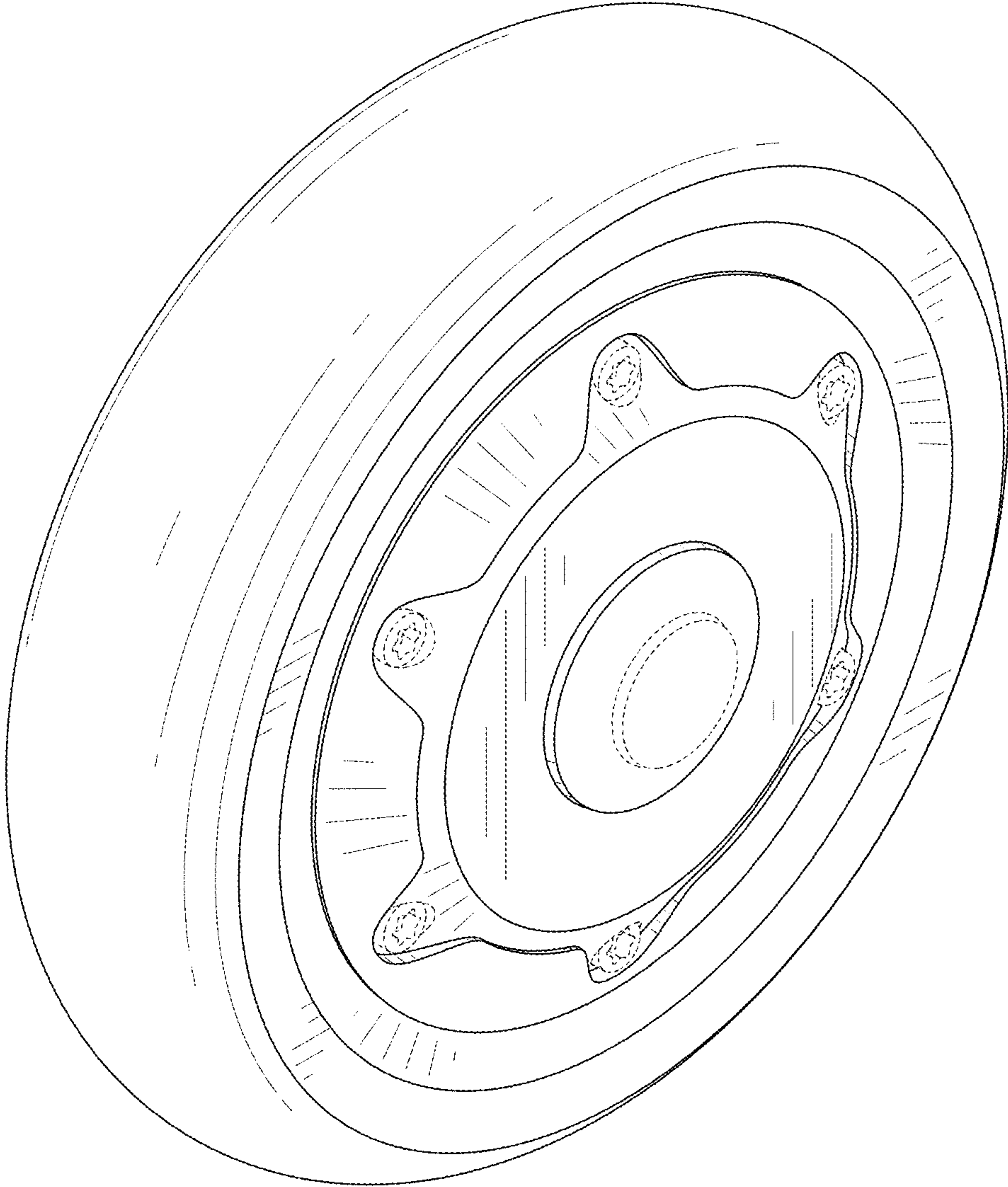


FIG. 1

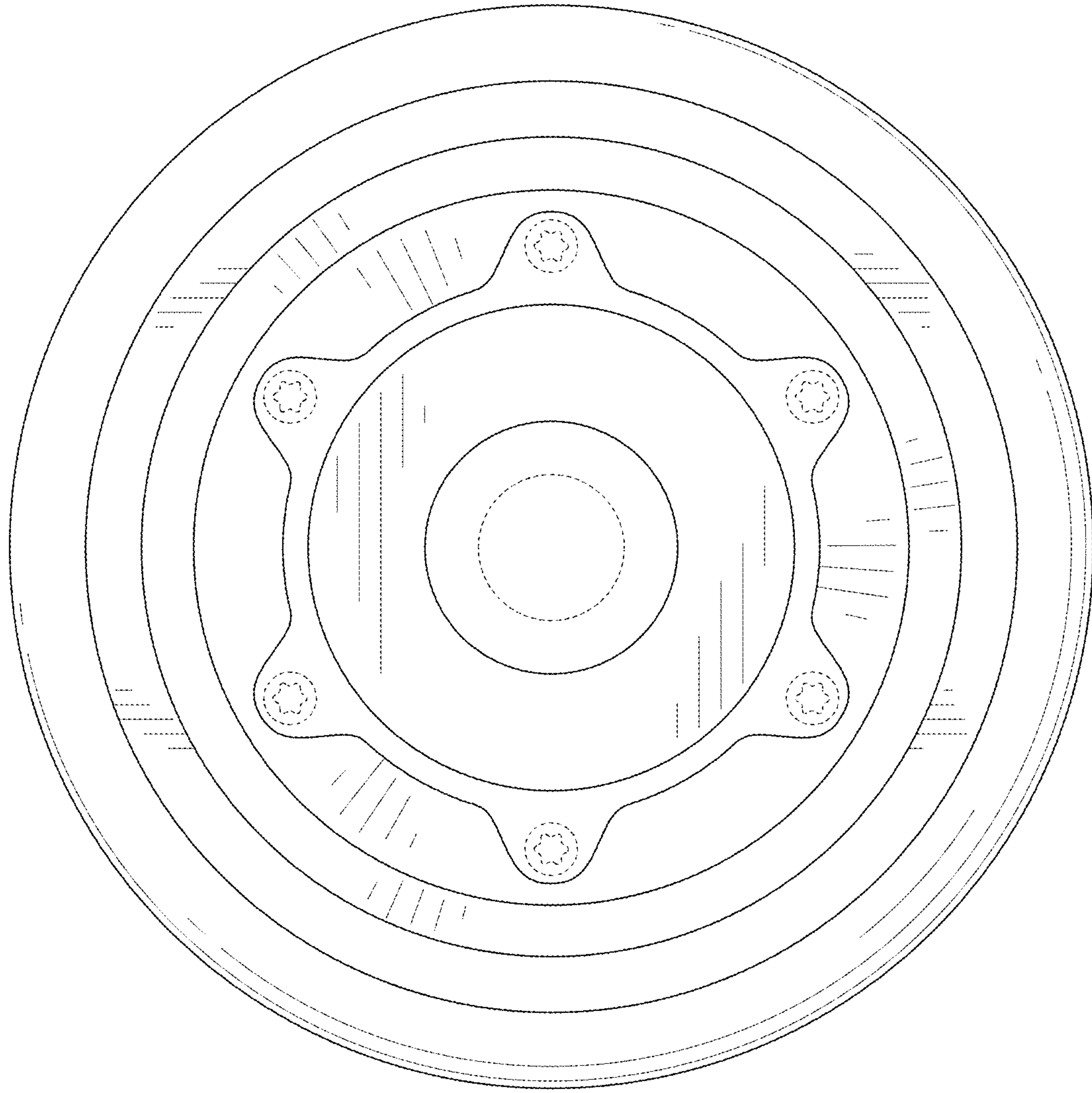


FIG. 2

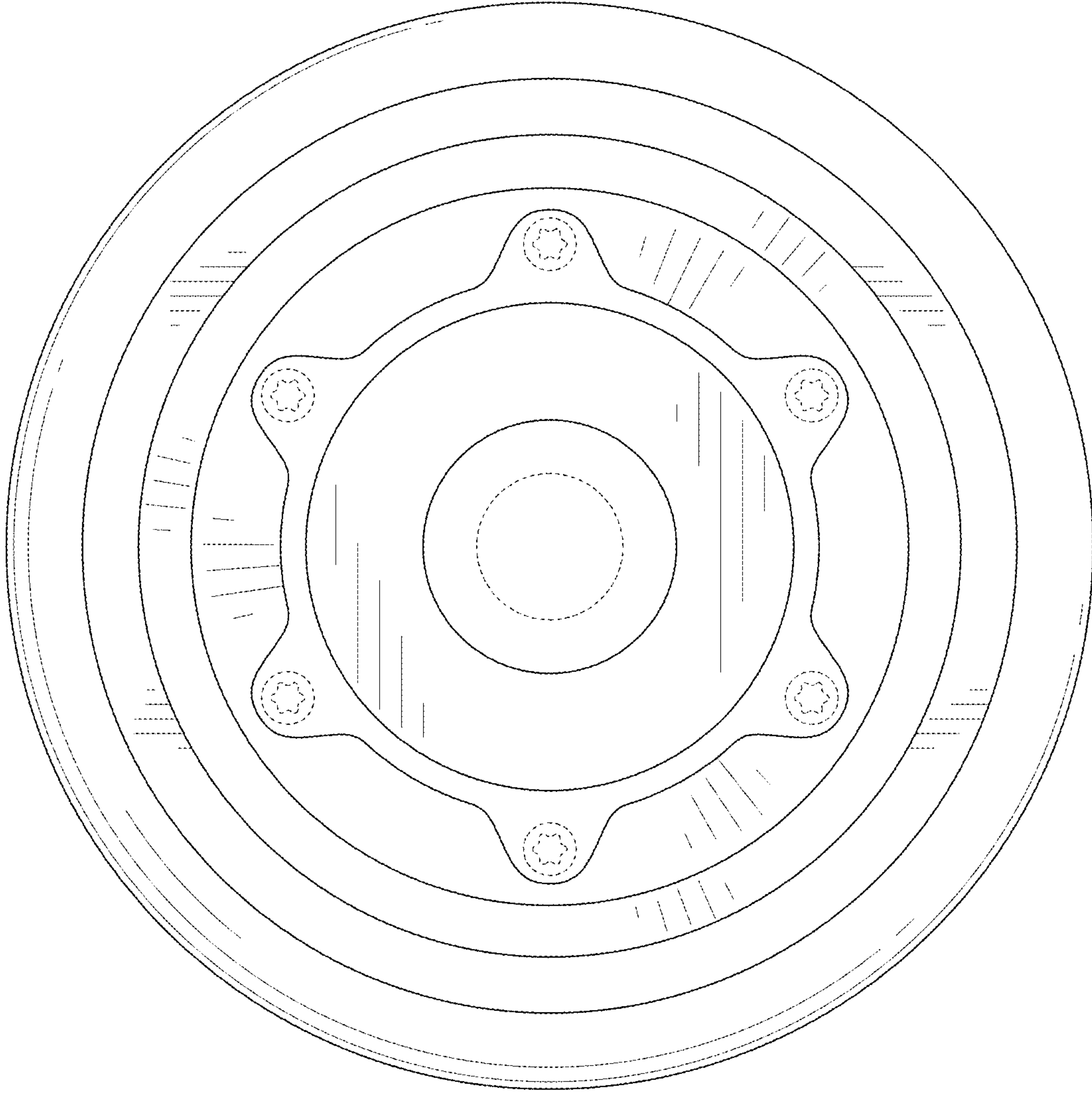


FIG. 3

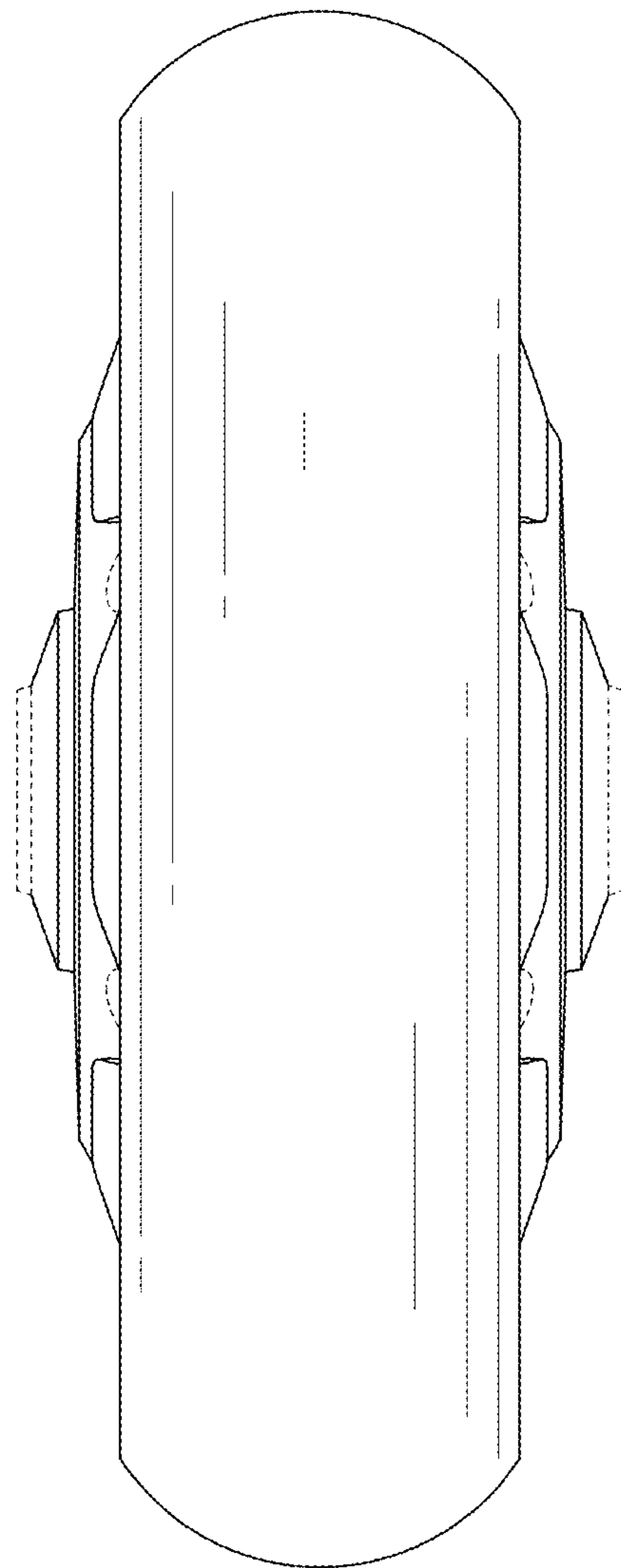


FIG. 4

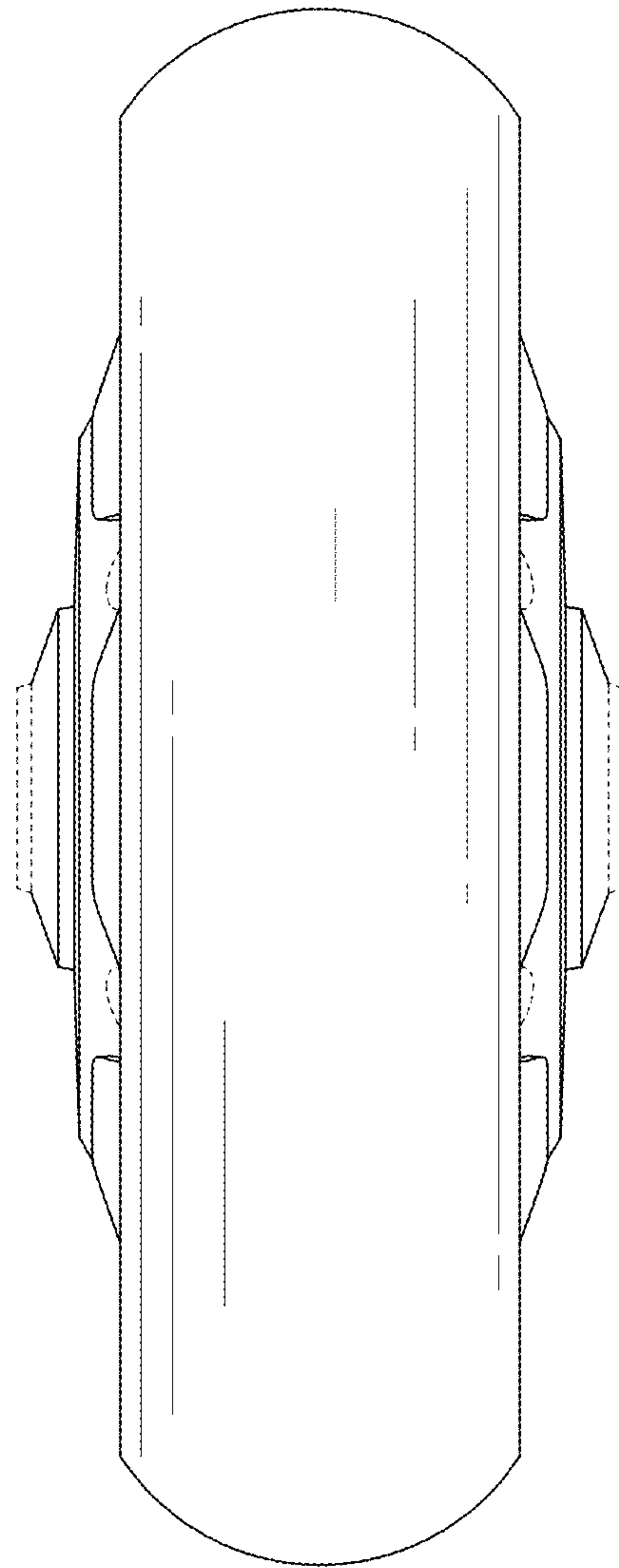


FIG. 5

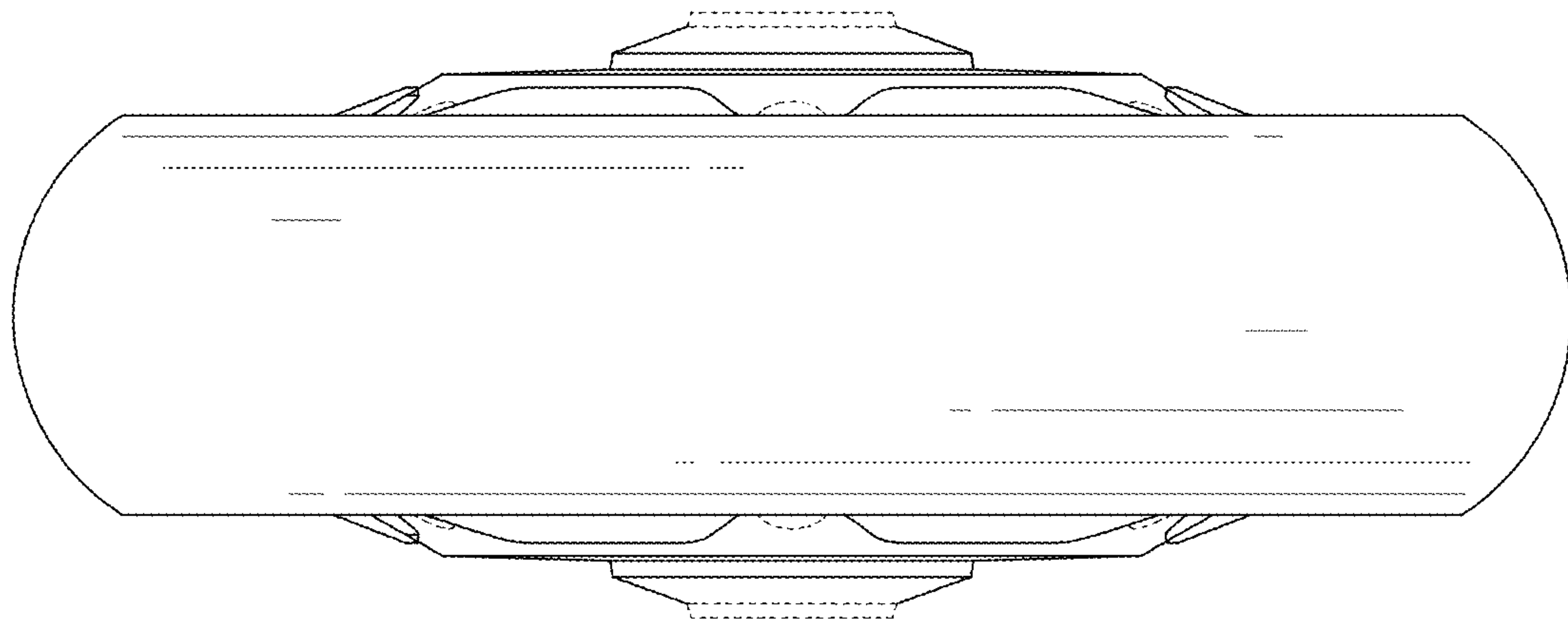


FIG. 6

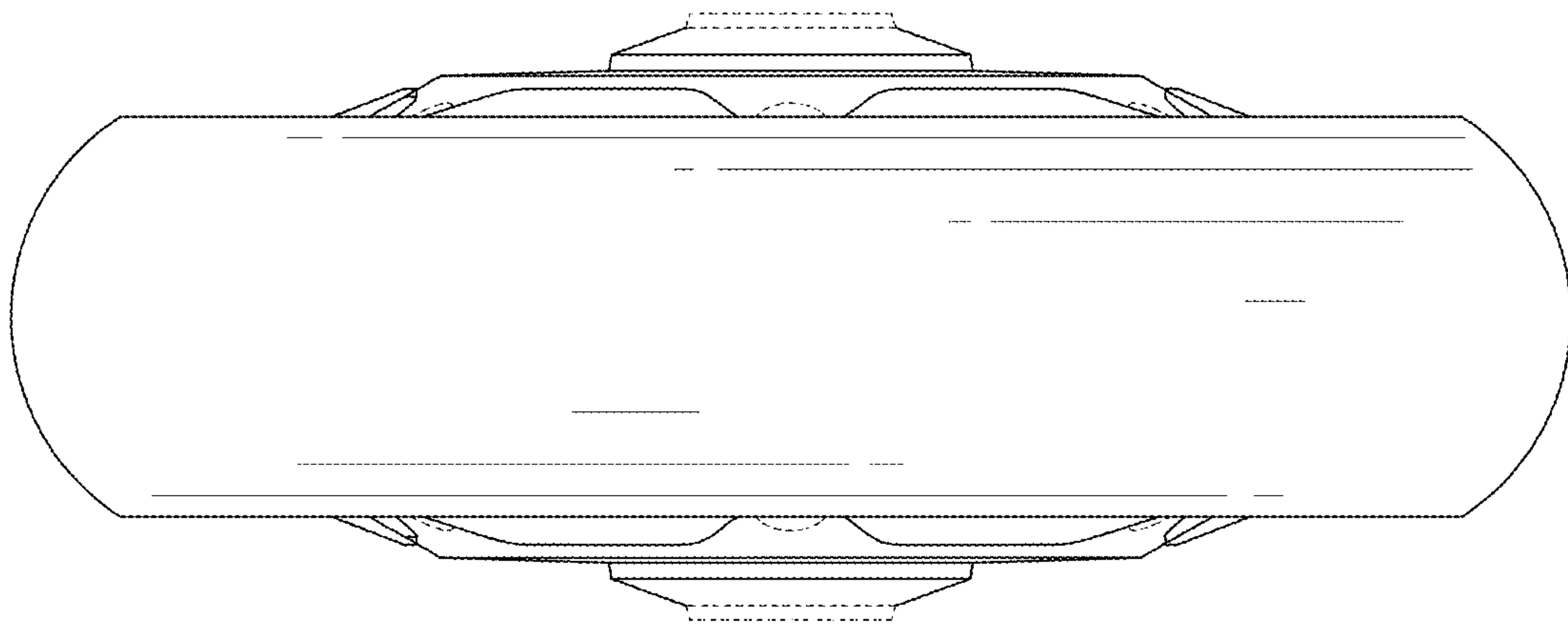


FIG. 7