



US00D919010S

(12) **United States Design Patent**
Bussey et al.

(10) **Patent No.:** **US D919,010 S**
(45) **Date of Patent:** **** May 11, 2021**

- (54) **GAMING MACHINE TOPPER DISPLAY**
- (71) Applicant: **Everi Games, Inc.**, Austin, TX (US)
- (72) Inventors: **Travis B. Bussey**, Austin, TX (US);
Craig S. Gallagher, Austin, TX (US);
Peter A. Phillips, Jr., Austin, TX (US);
Courtney Bell, Austin, TX (US)
- (73) Assignee: **Everi Games, Inc.**, Austin, TX (US)
- (**) Term: **15 Years**
- (21) Appl. No.: **29/709,284**
- (22) Filed: **Oct. 13, 2019**
- (51) **LOC (13) Cl.** **21-03**
- (52) **U.S. Cl.**
USPC **D21/369**
- (58) **Field of Classification Search**
USPC D21/329, 332, 333, 365, 385, 694, 513,
D21/514, 515, 500, 489, 491, 345, 337,
D21/312; D14/300, 301, 302, 304, 305,
D14/314, 315, 322, 326, 327, 334, 335,
D14/336, 339, 340, 451, 371, 372, 374,
D14/375, 376, 421, 448, 457; D18/26
See application file for complete search history.

D750,077 S *	2/2016	Lee	D14/375
D785,621 S *	5/2017	Kim	D14/374
D785,622 S *	5/2017	Kim	D14/374
D807,883 S *	1/2018	Lee	D14/374
D810,744 S *	2/2018	Wang	D14/374

(Continued)

Primary Examiner — Khawaja Anwar
Assistant Examiner — Julice Seung Eun Oum
(74) *Attorney, Agent, or Firm* — The Culbertson Group,
P.C.; Russell D. Culbertson

(57) **CLAIM**

The ornamental design for a gaming machine topper display, as shown and described.

DESCRIPTION

FIG. 1 is a perspective view from above of a gaming machine topper display showing the design installed on a gaming machine.

FIG. 2 is a right side view of the gaming machine topper display shown in FIG. 1 installed on the gaming machine shown in FIG. 1.

FIG. 3 is a perspective view from above of the gaming machine topper display shown in FIG. 1.

FIG. 4 is a front view of the gaming machine topper display shown in FIG. 1.

FIG. 5 is a back view of the gaming machine topper display shown in FIG. 1.

FIG. 6 is a right side view of the gaming machine topper display shown in FIG. 1, the left side view being a mirror image of the right side view.

FIG. 7 is a top view of the gaming machine topper display shown in FIG. 1; and,

FIG. 8 is a bottom view of the gaming machine topper display shown in FIG. 1.

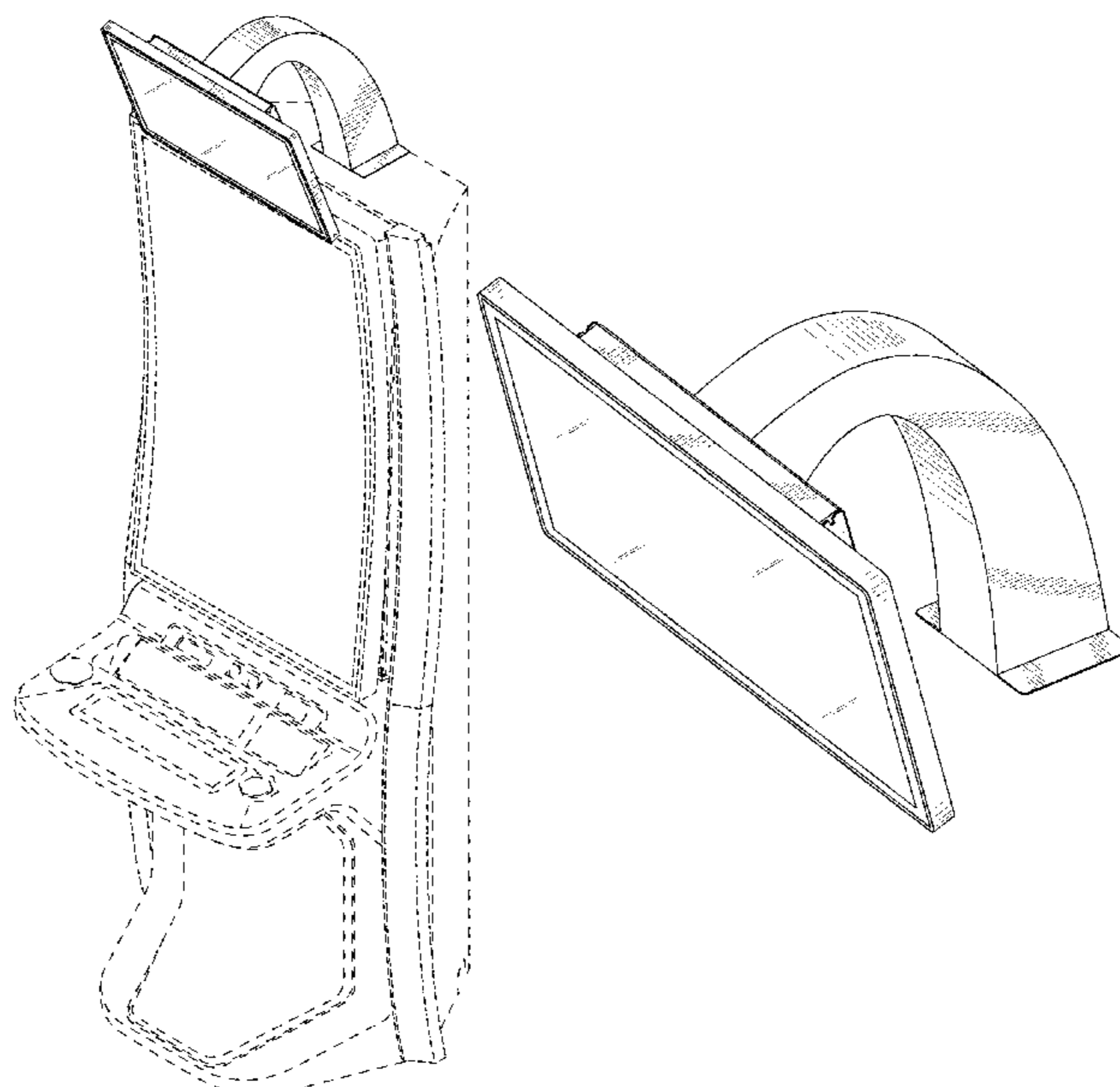
The broken lines shown in the drawings depict environmental structure and form no part of the claimed design.

(56) **References Cited**

U.S. PATENT DOCUMENTS

D444,518 S *	7/2001	Webber	D21/694
D562,331 S *	2/2008	Li	D14/451
D607,844 S *	1/2010	Feldstein	D13/168
D648,336 S *	11/2011	Yagi	D14/374
D658,646 S *	5/2012	Akana	D14/336
D682,269 S *	5/2013	Lee	D14/374
D682,270 S *	5/2013	Lee	D14/374
D686,615 S *	7/2013	Lee	D14/374
D691,604 S *	10/2013	Seong	D14/374
D706,265 S *	6/2014	Lee	D14/374
D747,717 S *	1/2016	Kim	D14/371

1 Claim, 5 Drawing Sheets



(56)

References Cited

U.S. PATENT DOCUMENTS

D812,610 S *	3/2018	Varghese	D14/371
D821,395 S *	6/2018	Thetard	D14/374
D835,096 S *	12/2018	Woo	D14/336
D854,540 S *	7/2019	Kim	D14/336
D907,050 S *	1/2021	Vardar	D14/452
2006/0126282 A1 *	6/2006	Chen	G06F 1/1601 361/679.22

* cited by examiner

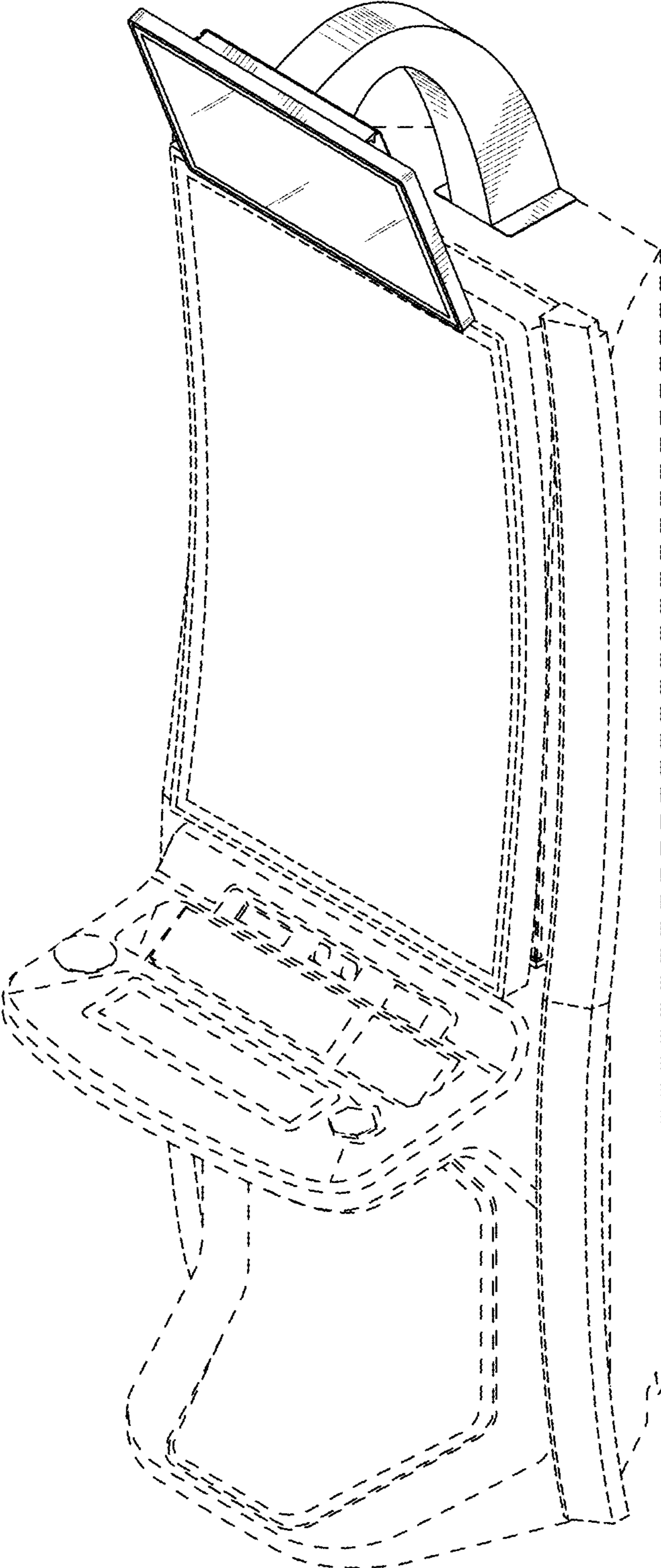


FIG. 1

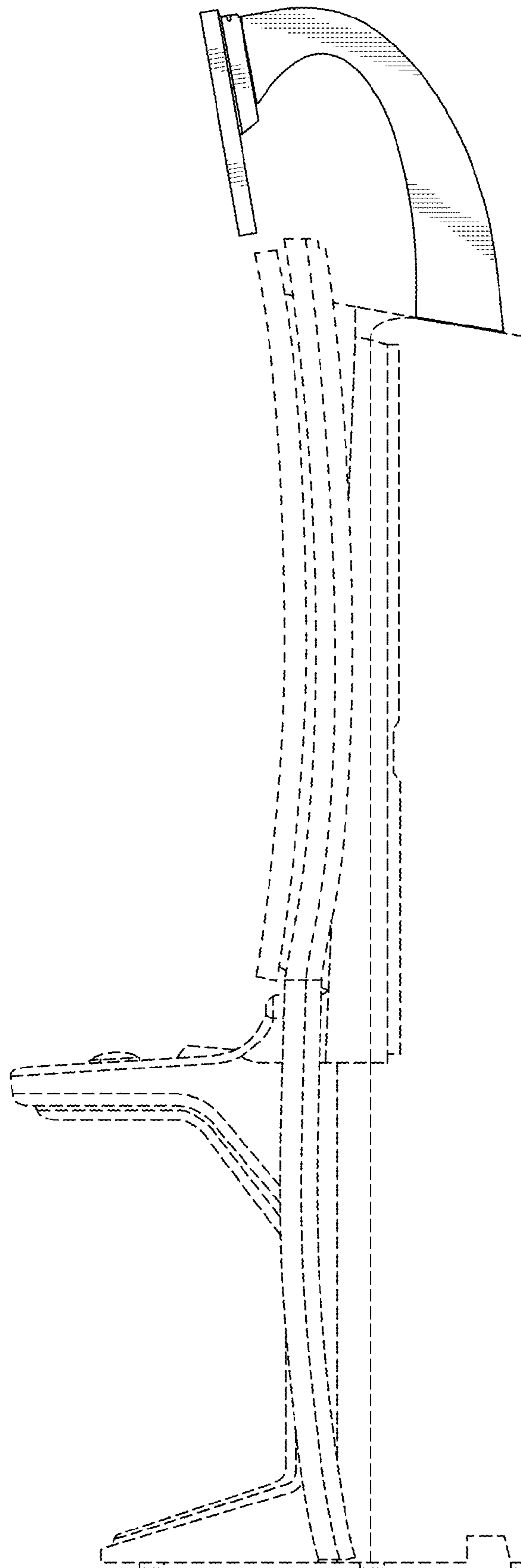


FIG. 2

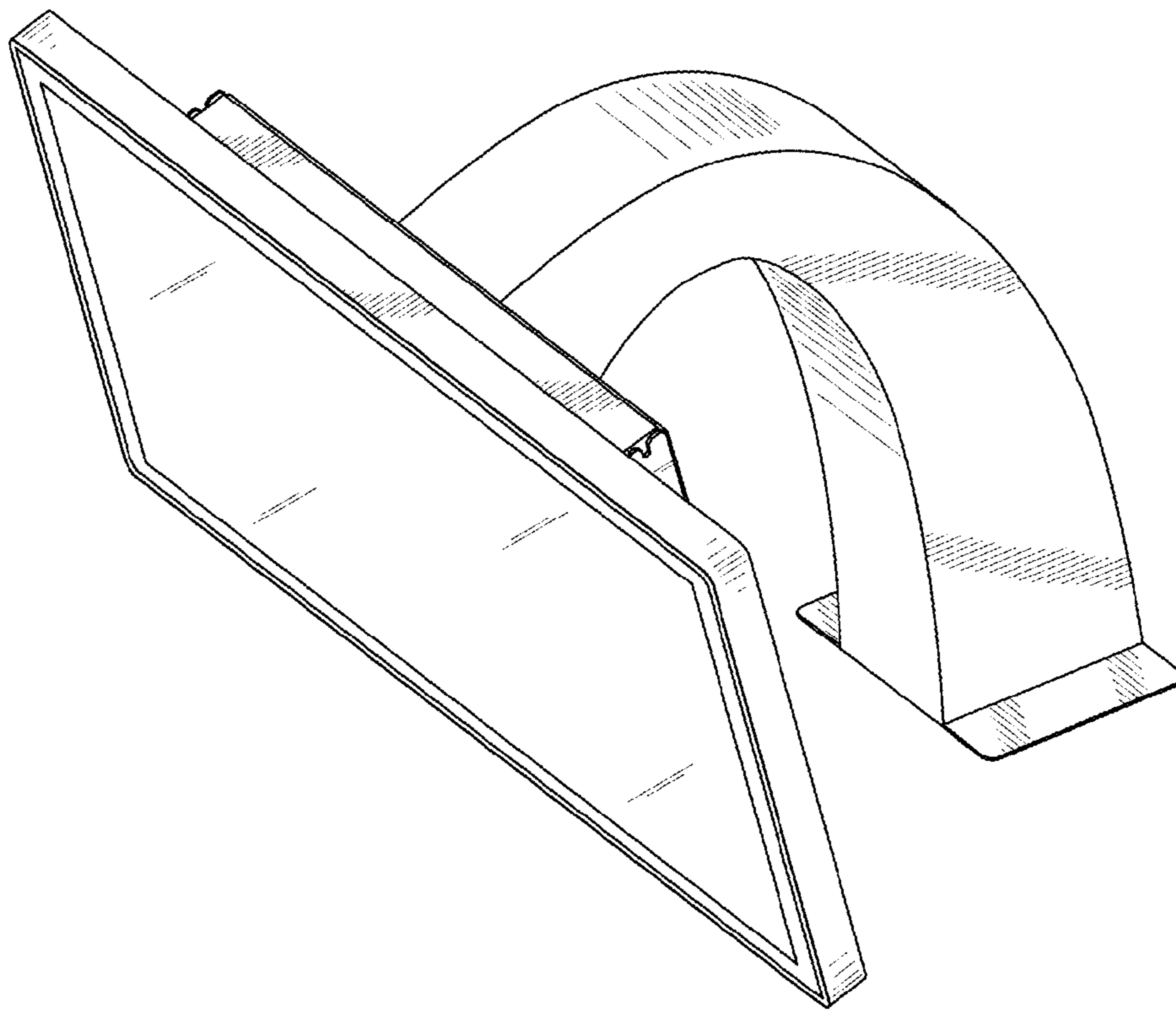


FIG. 3

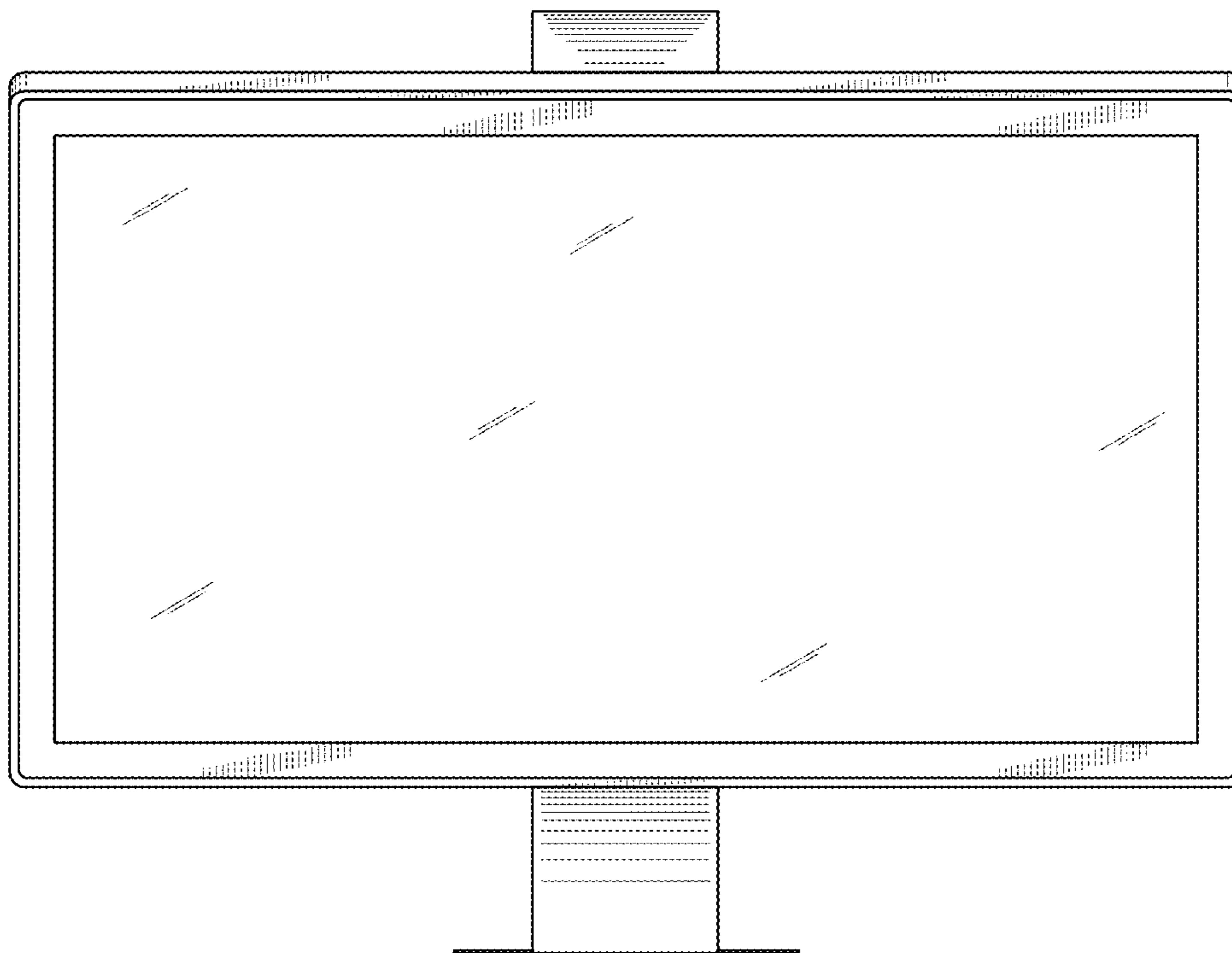


FIG. 4

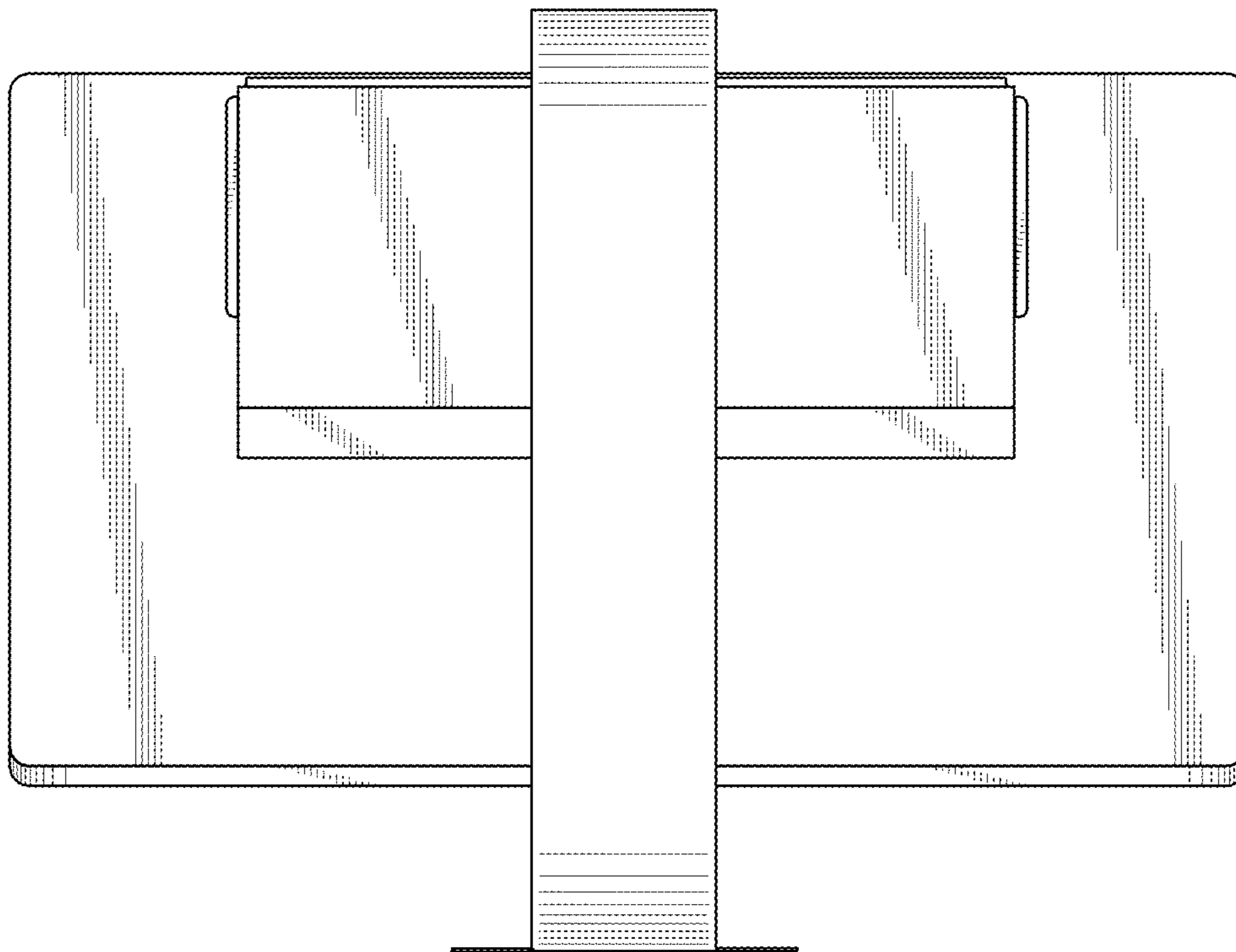


FIG. 5

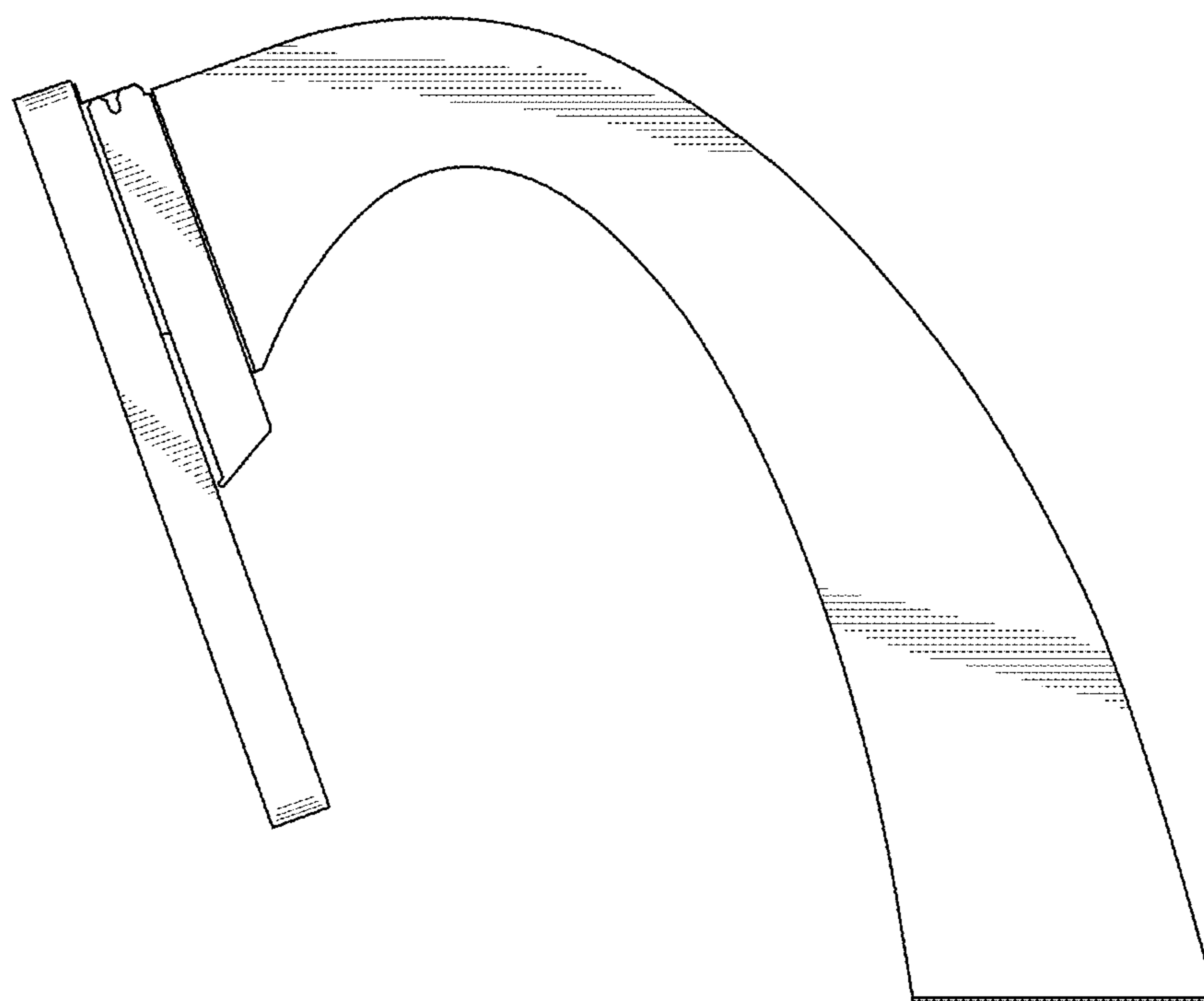


FIG. 6

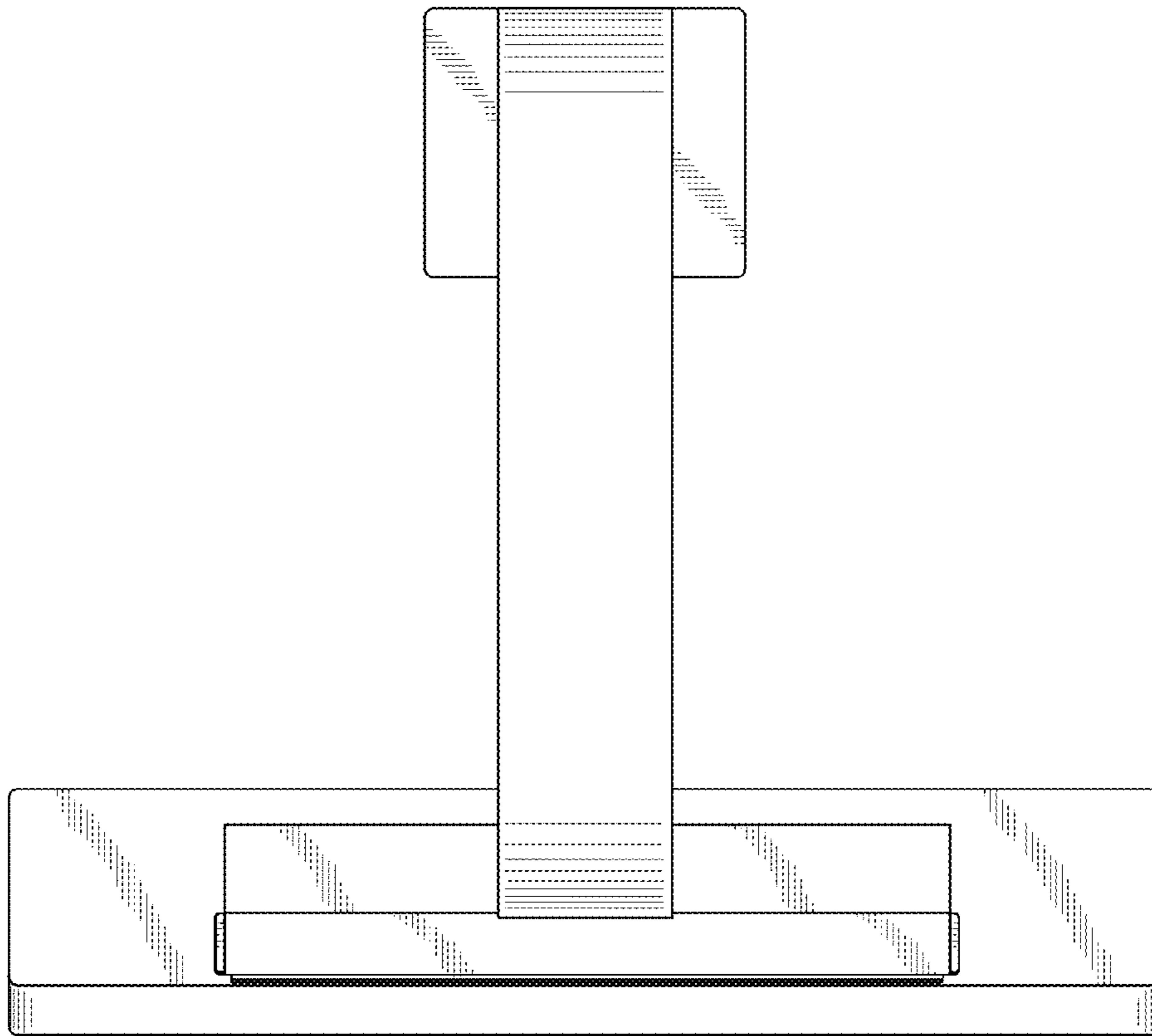


FIG. 7

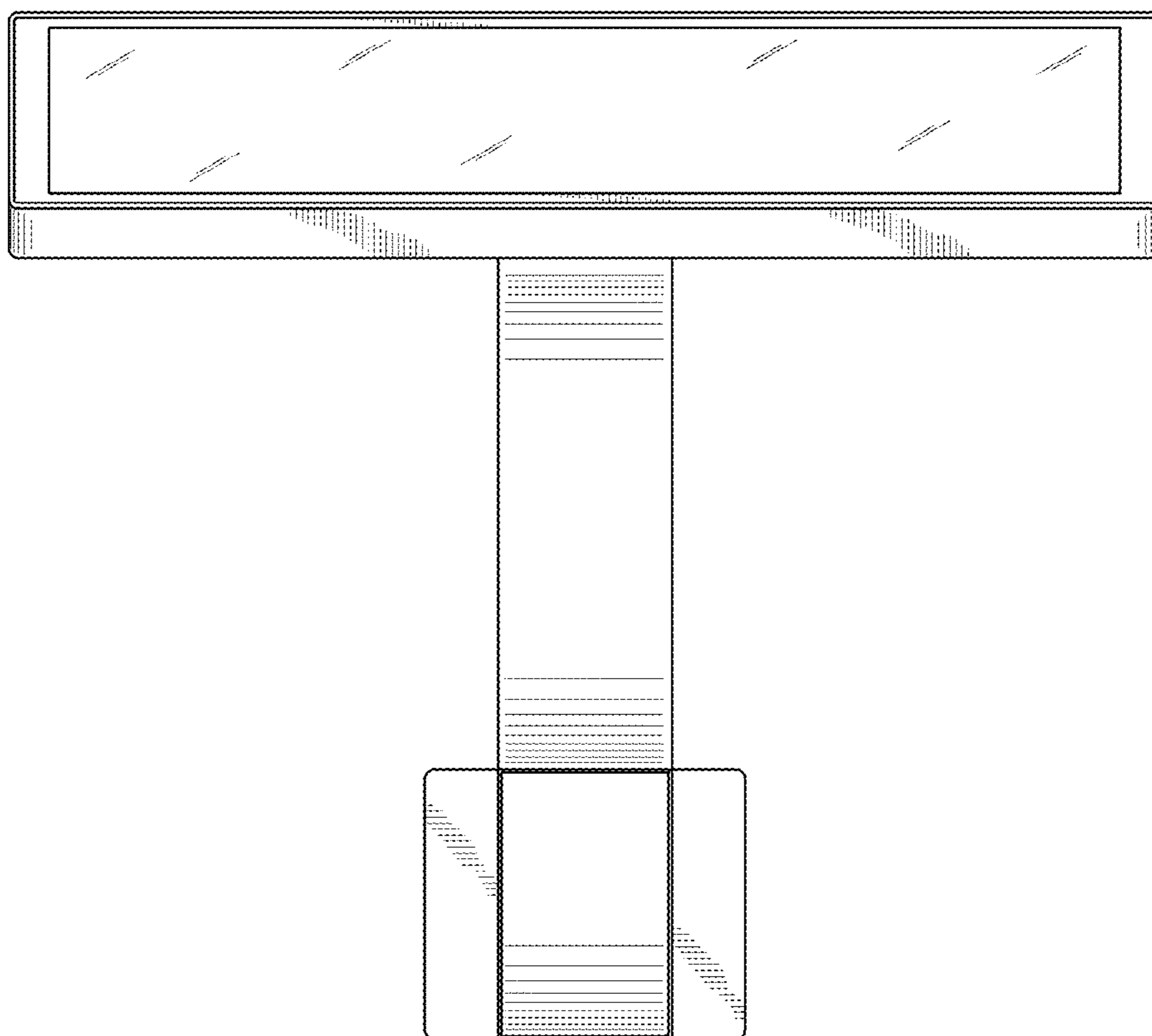


FIG. 8