



US00D919008S

(12) **United States Design Patent** (10) **Patent No.:** **US D919,008 S**  
**Ricci** (45) **Date of Patent:** **\*\* May 11, 2021**

(54) **SIGN FOR SHELF**

(71) Applicant: **Dana Industries Inc.**, Etobicoke (CA)

(72) Inventor: **John Ricci**, Kleinburg (CA)

(73) Assignee: **Dana Industries Inc.**, Etobicoke (CA)

(\*\*) Term: **15 Years**

(21) Appl. No.: **29/711,509**

(22) Filed: **Oct. 31, 2019**

(30) **Foreign Application Priority Data**

May 1, 2019 (CA) ..... 187271

(51) **LOC (13) Cl.** ..... **20-03**

(52) **U.S. Cl.**  
USPC ..... **D20/43**

(58) **Field of Classification Search**

USPC ..... D10/109.1, 109.2, 113.4; D11/165, 166,  
D11/181, 182; D20/10, 19, 21, 29, 37,  
D20/39, 40, 41, 42, 43, 99

(Continued)

(56) **References Cited**

**U.S. PATENT DOCUMENTS**

D175,481 S \* 8/1955 Slavsky ..... D20/44  
5,921,012 A \* 7/1999 Caivano ..... G09F 13/04  
40/541

(Continued)

*Primary Examiner* — Mary Ann Calabrese

*Assistant Examiner* — Catherine Ho

(74) *Attorney, Agent, or Firm* — CPST Intellectual  
Property Inc.; Santosh K. Chari

(57) **CLAIM**

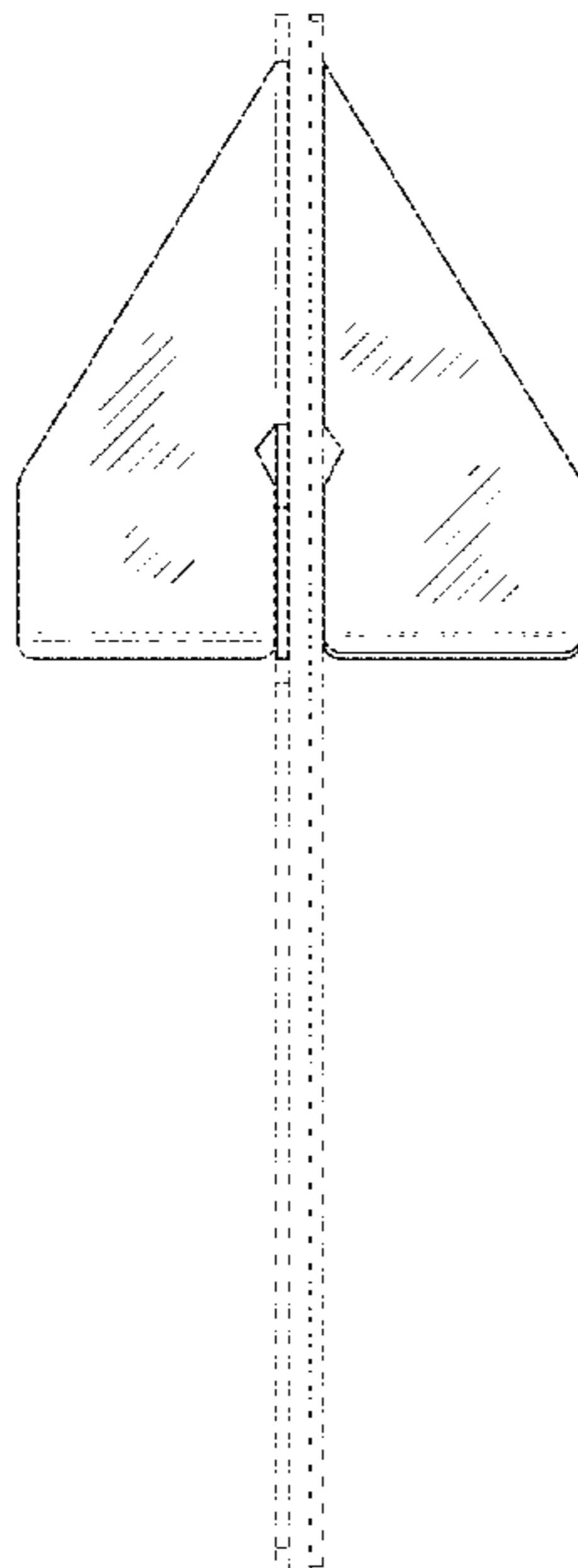
I claim the ornamental design for a sign for shelf, as shown and described.

**DESCRIPTION**

FIG. 1 is a top front perspective view of a sign for shelf, showing my design in an environment;  
 FIG. 2 is a top front perspective view thereof;  
 FIG. 3 is a bottom rear perspective view thereof;  
 FIG. 4 is a rear elevational view thereof;  
 FIG. 5 is a front elevational view thereof;  
 FIG. 6 is a bottom plan view thereof;  
 FIG. 7 is a top plan view thereof;  
 FIG. 8 is a right side elevational view thereof;  
 FIG. 9 is a left side elevational view thereof;  
 FIG. 10 is a top front perspective view of a sign for shelf, showing my design in an alternate environment;  
 FIG. 11 is a top front perspective view thereof;  
 FIG. 12 is a bottom rear perspective view thereof;  
 FIG. 13 is a rear elevational view thereof;  
 FIG. 14 is a front elevational view thereof;  
 FIG. 15 is a bottom plan view thereof;  
 FIG. 16 is a top plan view thereof;  
 FIG. 17 is a right side elevational view thereof;  
 FIG. 18 is a left side elevational view thereof;  
 FIG. 19 is a top front perspective view of a sign for shelf, showing my design in another alternate environment;  
 FIG. 20 is top front perspective view thereof;  
 FIG. 21 is a bottom rear perspective view thereof;  
 FIG. 22 is a rear elevational view thereof;  
 FIG. 23 is a front elevational view thereof;  
 FIG. 24 is a bottom plan view thereof;  
 FIG. 25 is a top plan view thereof;  
 FIG. 26 is a right side elevational view thereof; and,  
 FIG. 27 is a left side elevational view thereof.

The portions of the FIGS. 2-9, 11-18, and 20-27 shown in broken lines illustrate features that do not form part of the claimed design. The broken lines in FIGS. 1, 10, and illustrate an environment of the claimed design or unclaimed features of the design and do not form a part thereof.

**1 Claim, 21 Drawing Sheets**



(58) **Field of Classification Search**

CPC ..... G09F 7/00; G09F 7/12; G09F 7/14; G09F  
7/16; G09F 7/18; G09F 2007/122; G09F  
2007/1804; G09F 2007/1834; G09F  
2007/1886; G09F 9/00; G09F 13/00;  
G09F 13/02; G09F 13/04; G09F 13/0018;  
G09F 13/22; G09F 2003/1895; G09F  
15/00; G09F 15/0037; G09F 15/02; G09F  
15/025; G09F 17/00; G09F 2007/0075;  
G09F 23/00

See application file for complete search history.

(56) **References Cited**

U.S. PATENT DOCUMENTS

D453,798	S	*	2/2002	Gray	.....	D20/43
6,360,465	B1	*	3/2002	Simpson	.....	G09F 3/204 40/638
D479,278	S	*	9/2003	Nagel	.....	D20/43
D579,984	S	*	11/2008	Bruegmann	.....	D20/43
D625,935	S	*	10/2010	Theisen	.....	D20/43
D627,828	S	*	11/2010	Ricci	.....	D20/29
D652,873	S	*	1/2012	Ricci	.....	D20/10
D685,855	S	*	7/2013	Hawkins	.....	D20/41
D754,251	S	*	4/2016	Bigham	.....	D20/10
D829,823	S	*	10/2018	White	.....	D20/43
D846,648	S	*	4/2019	Ricci	.....	D20/42

\* cited by examiner

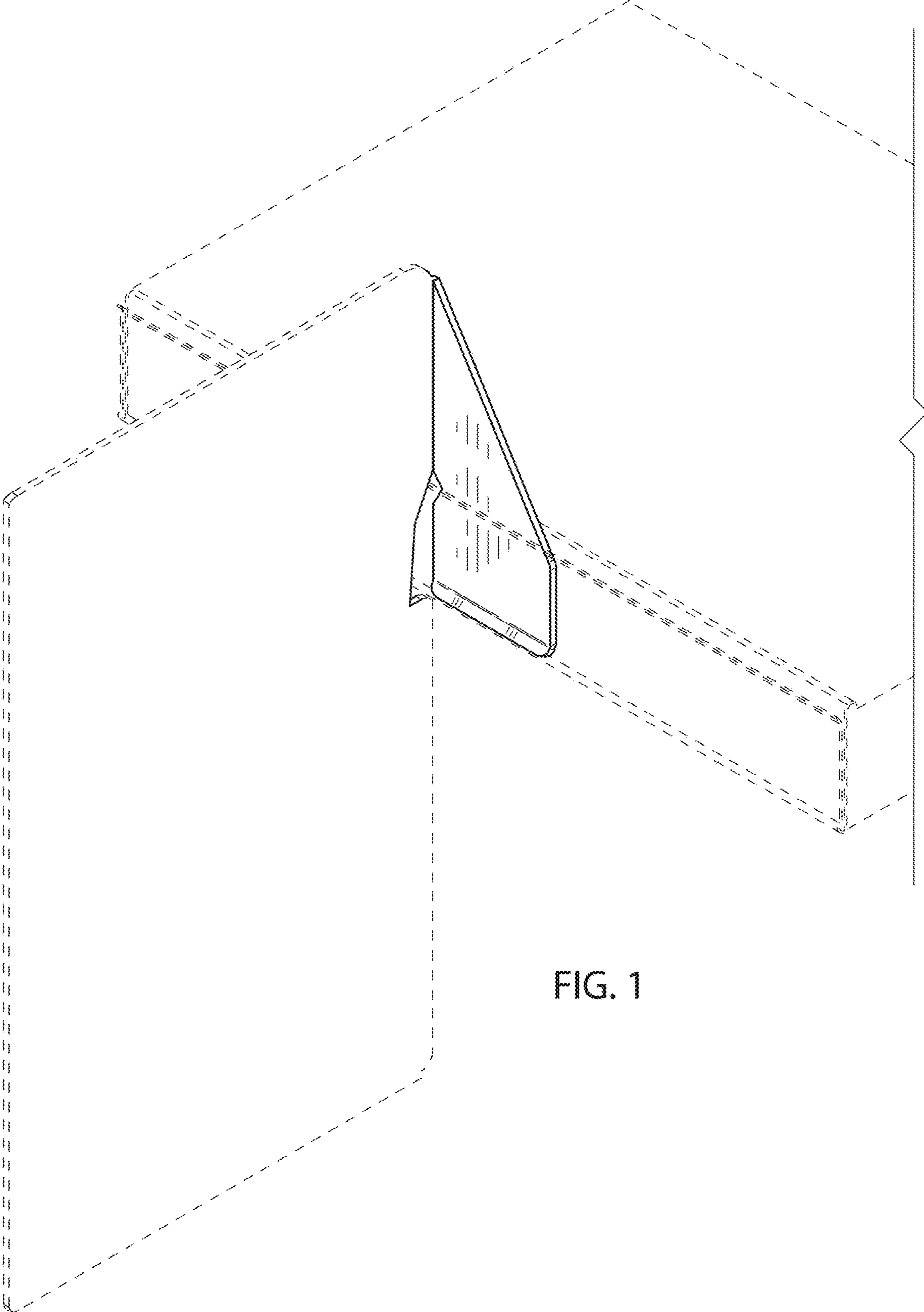


FIG. 1

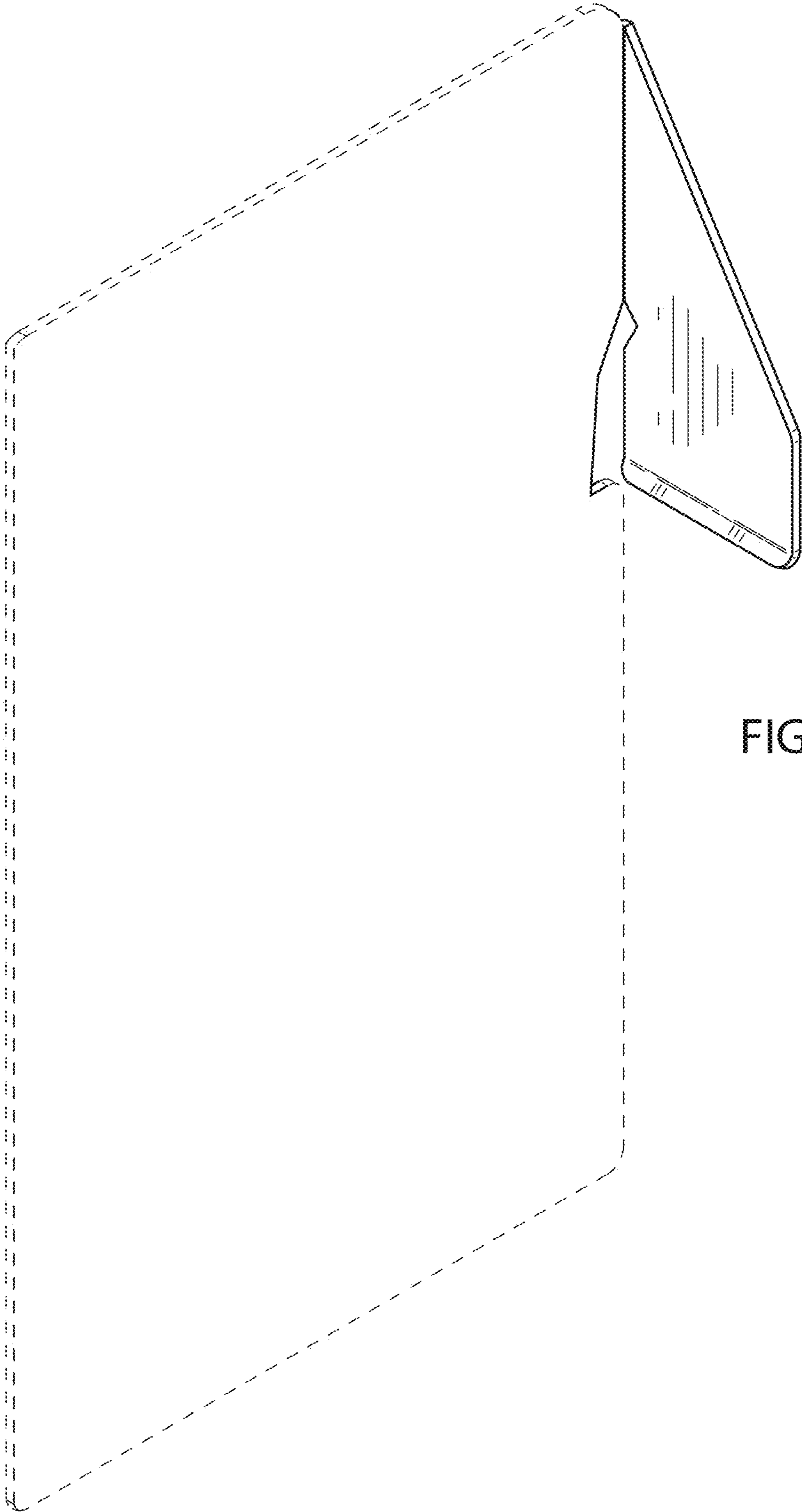


FIG. 2

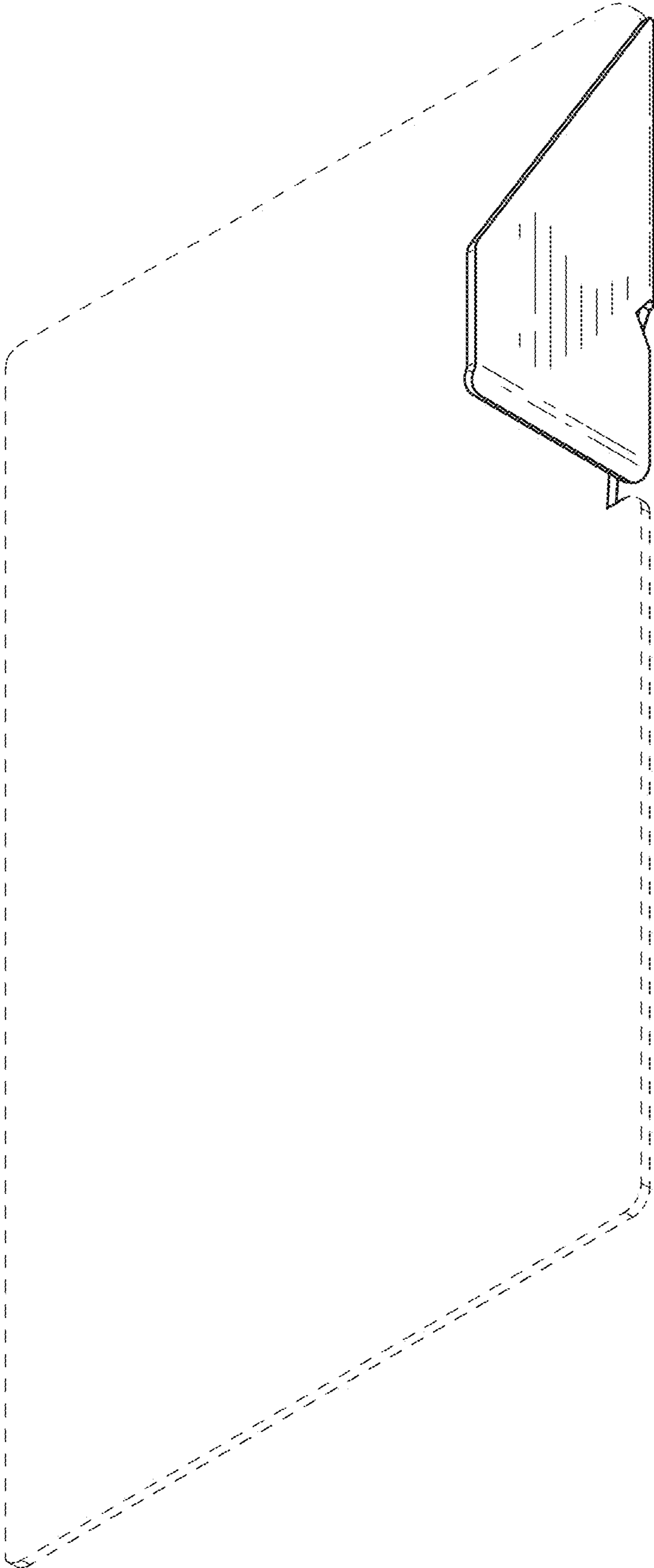


FIG. 3

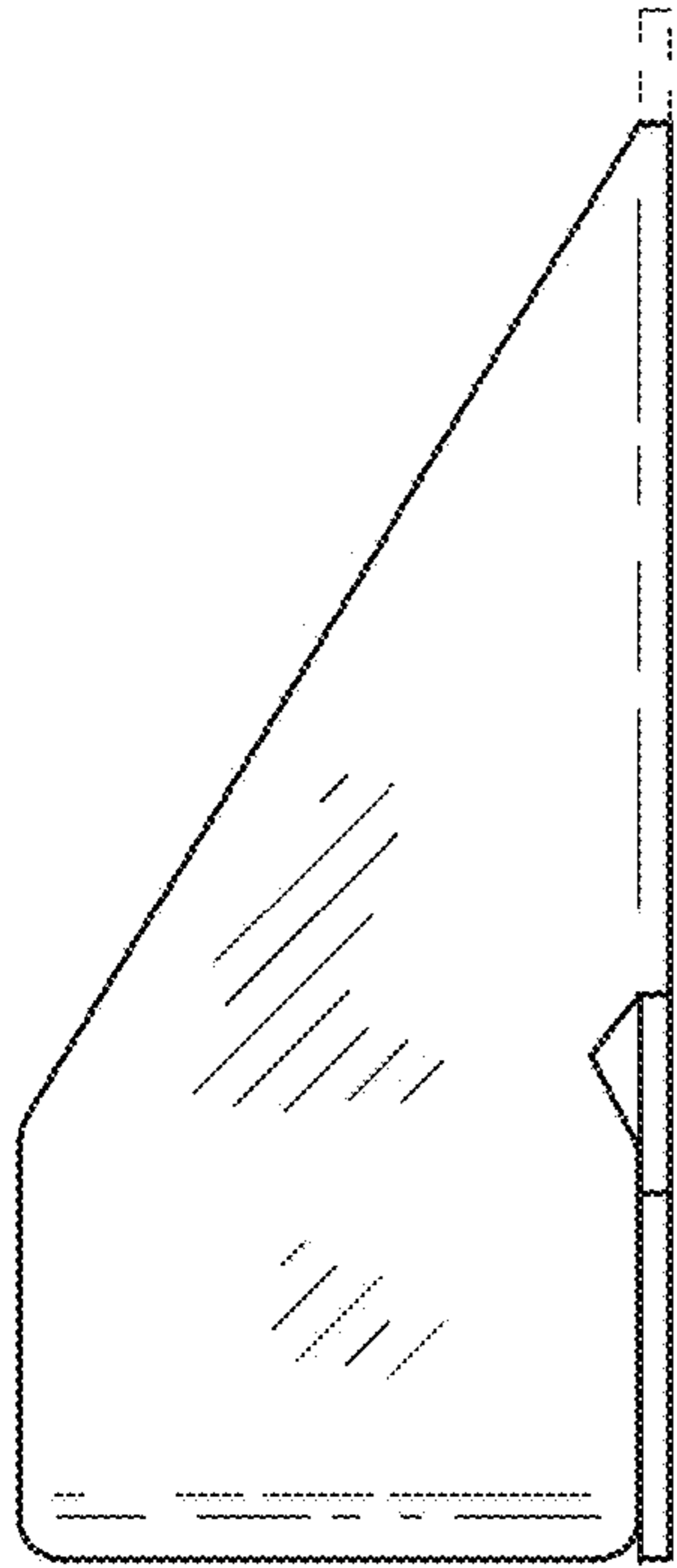


FIG. 4

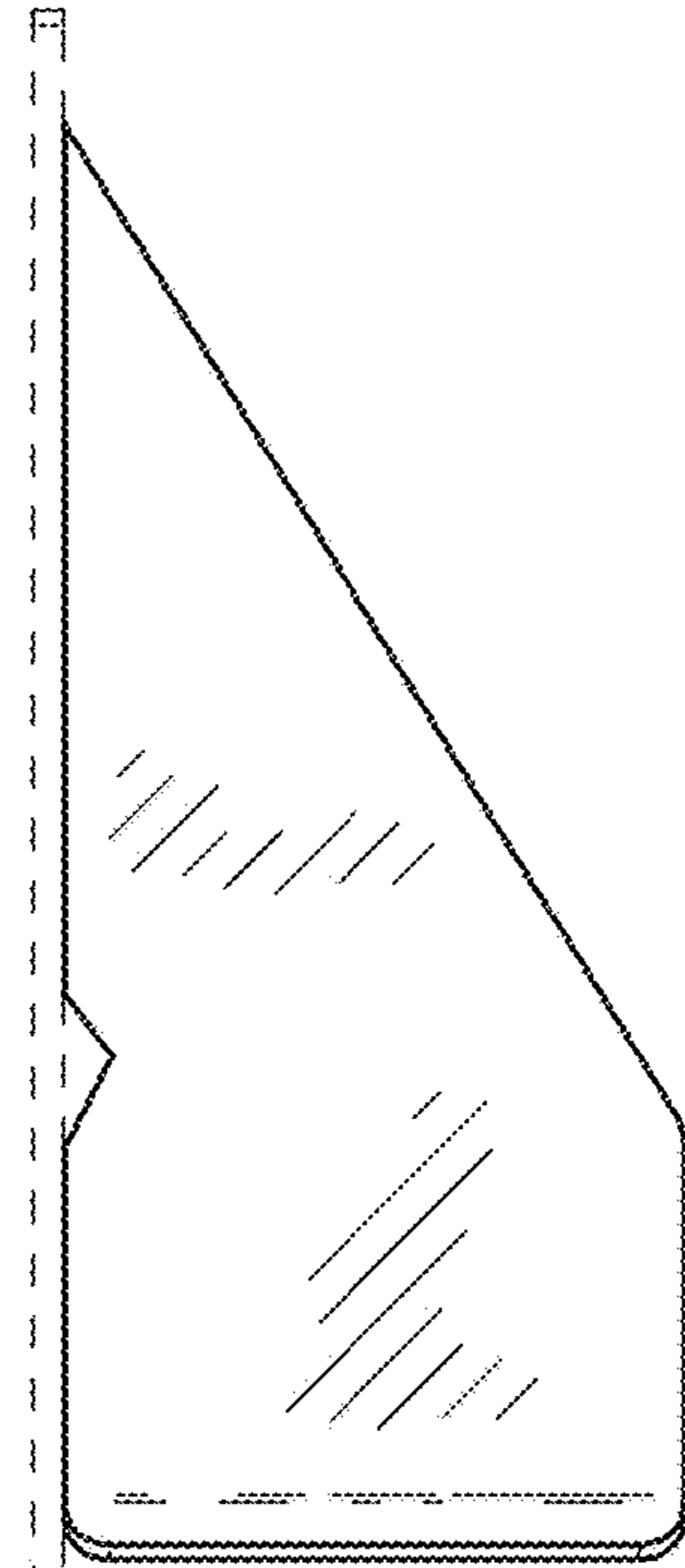
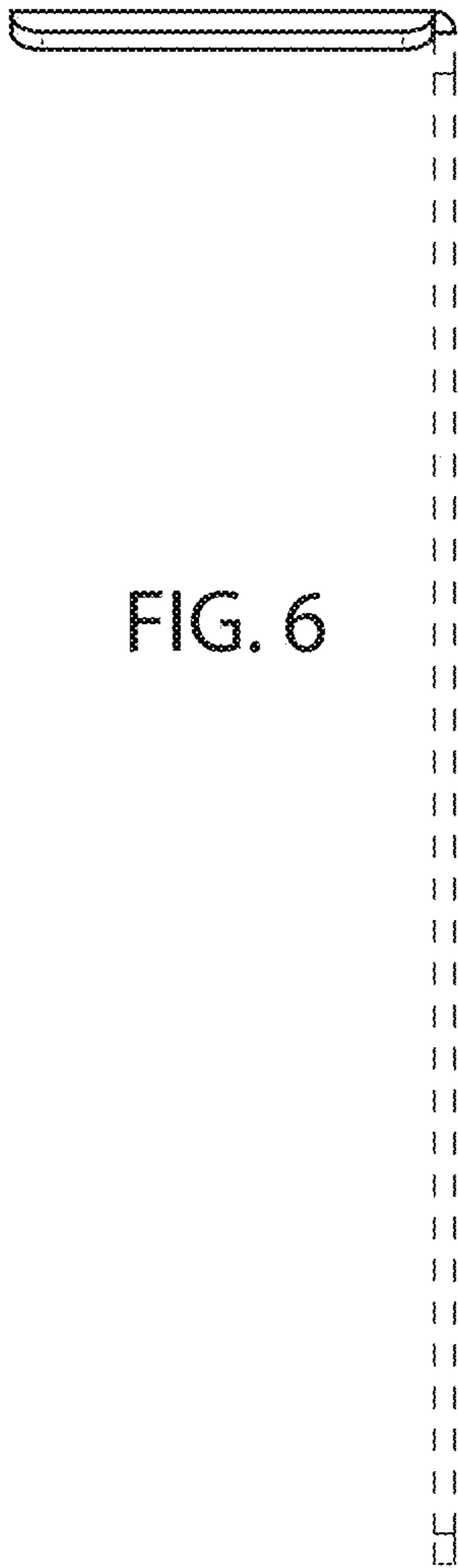


FIG. 5



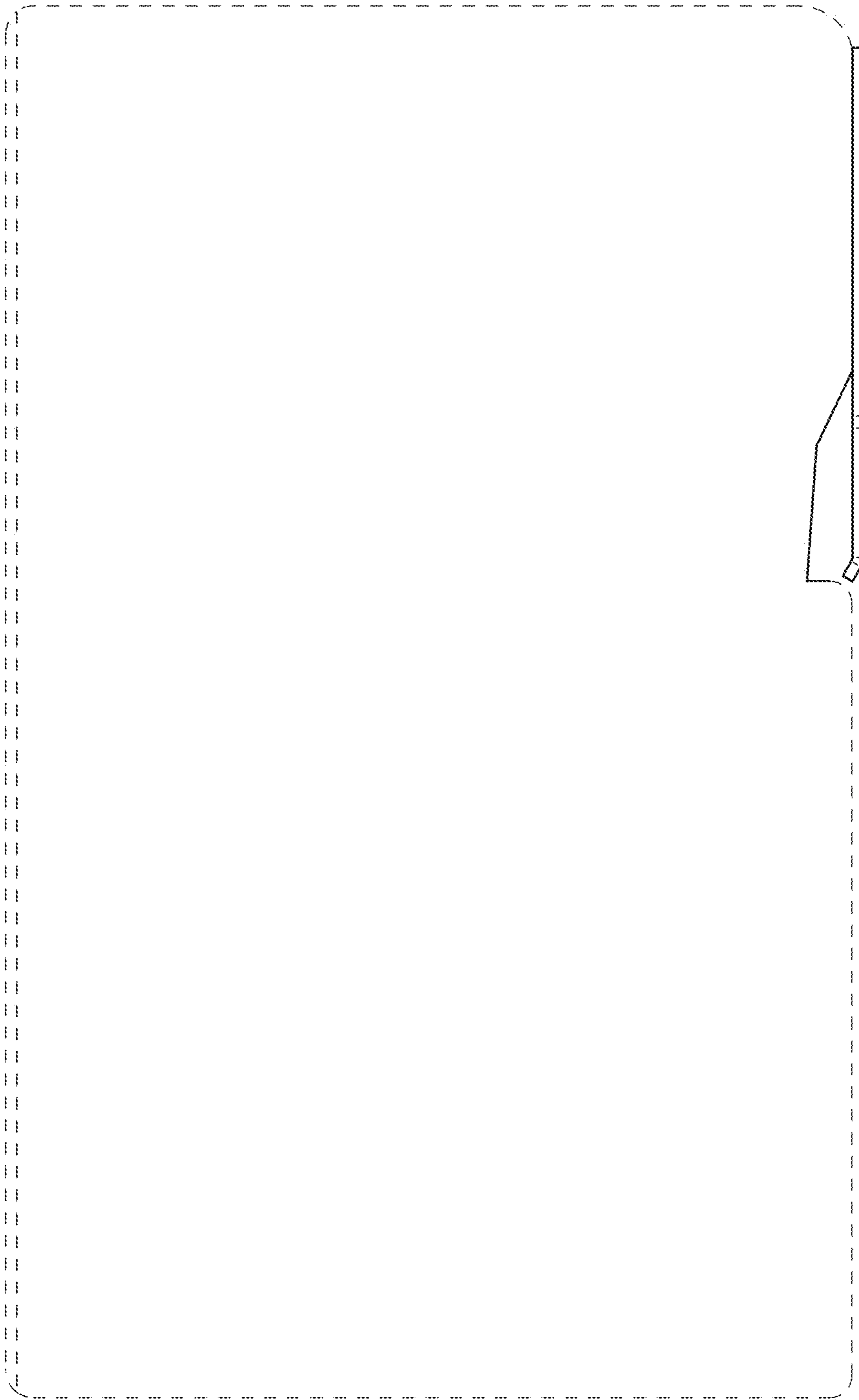


FIG. 8



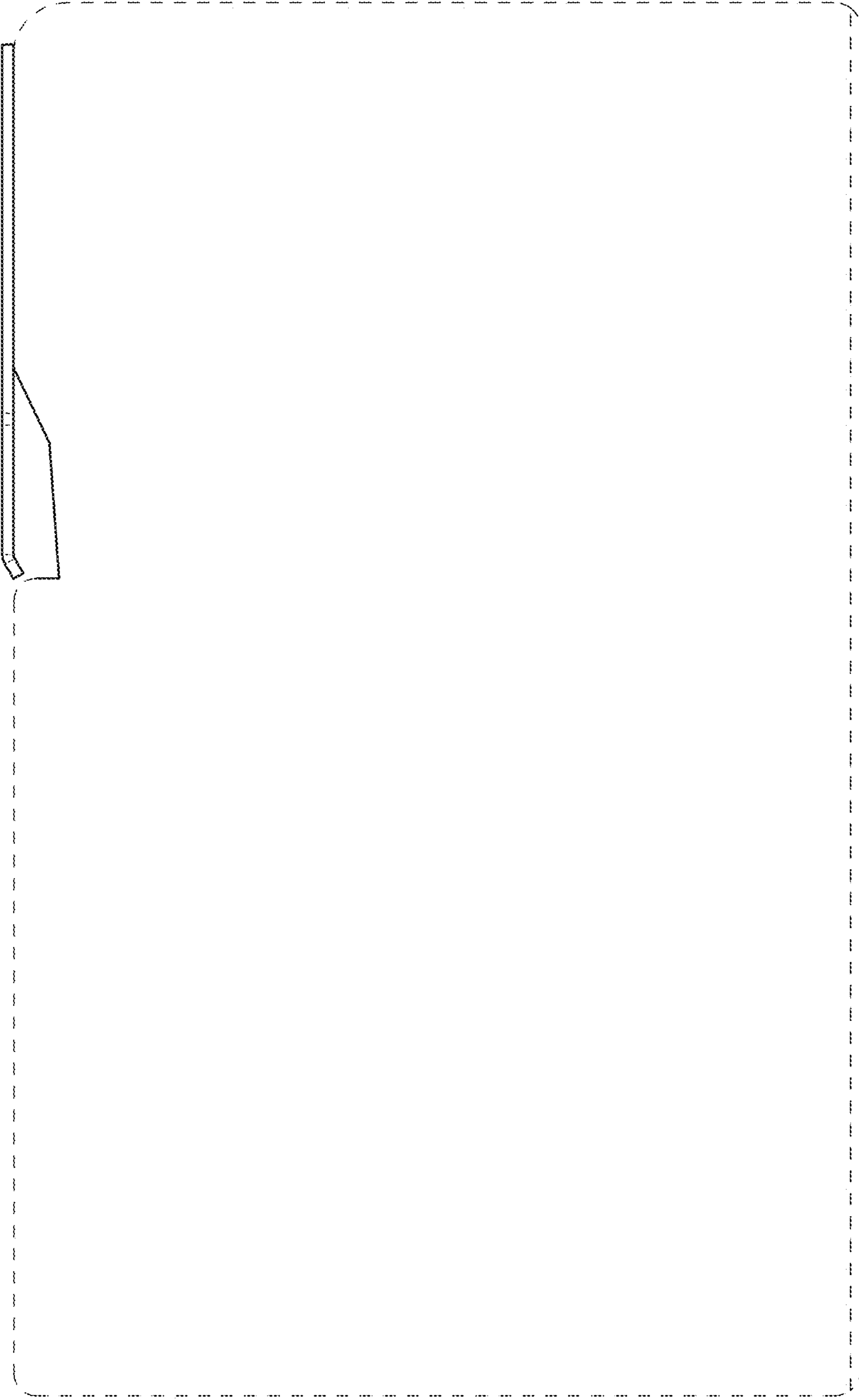


FIG. 9

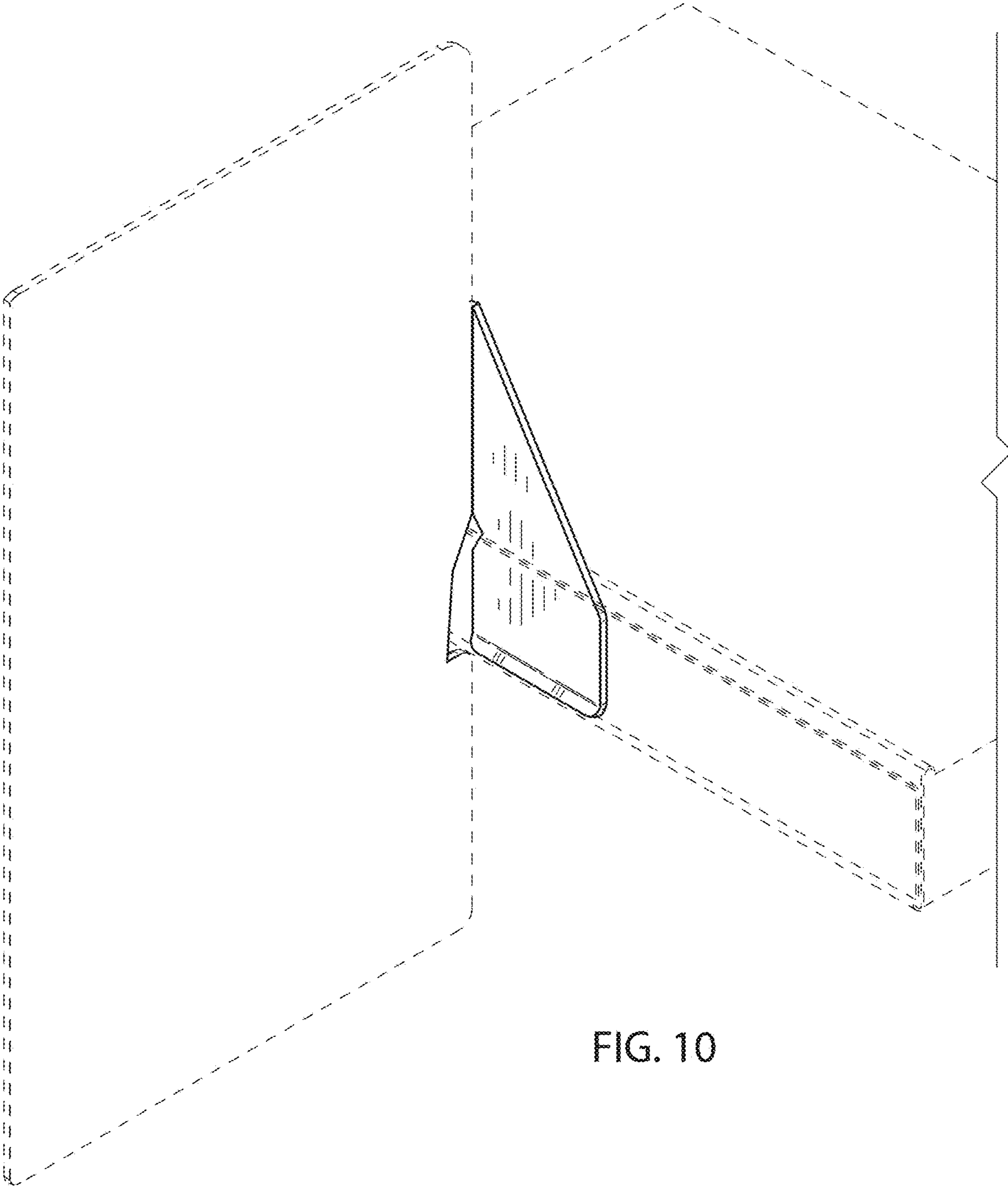


FIG. 10

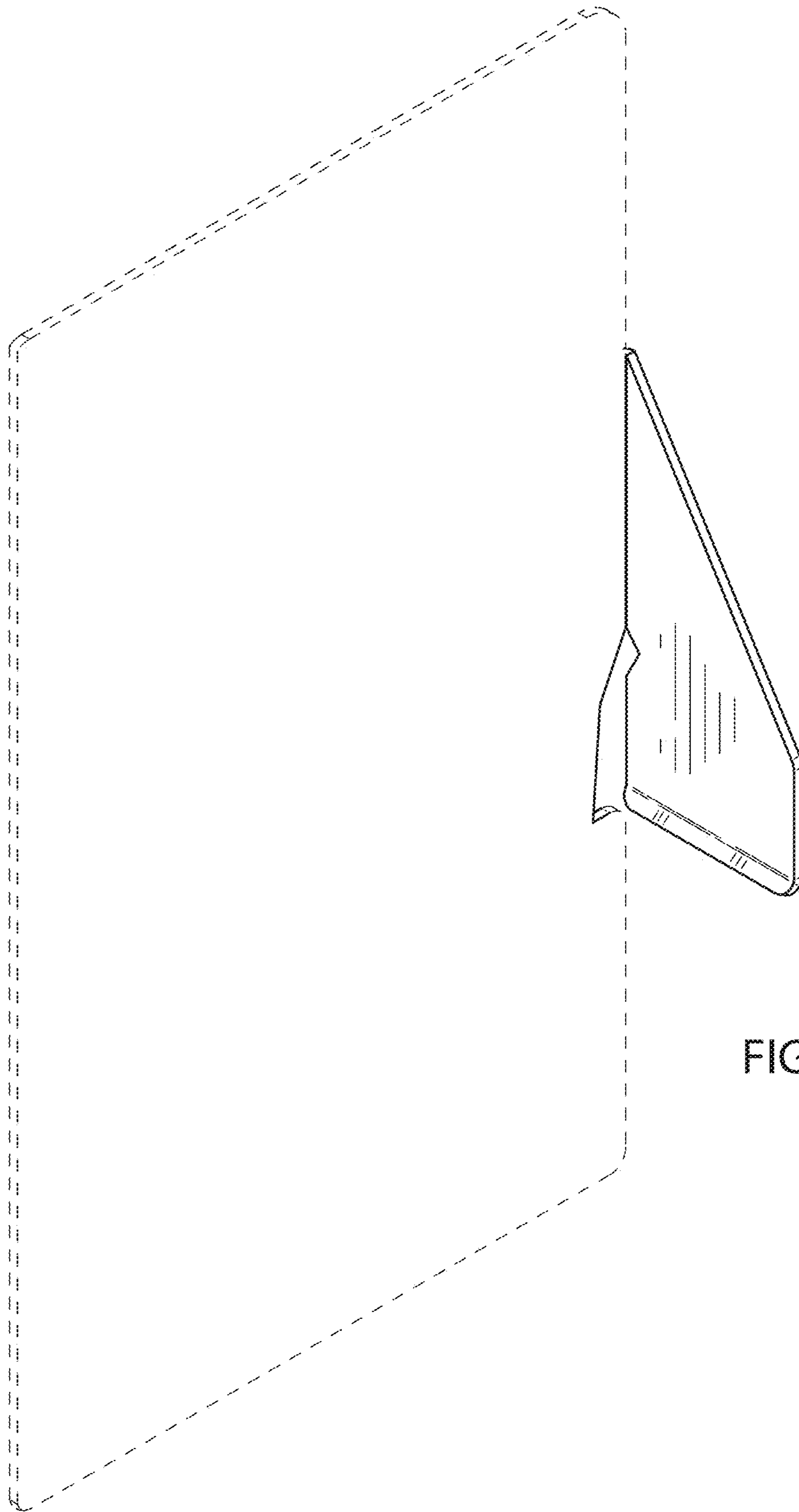


FIG. 11

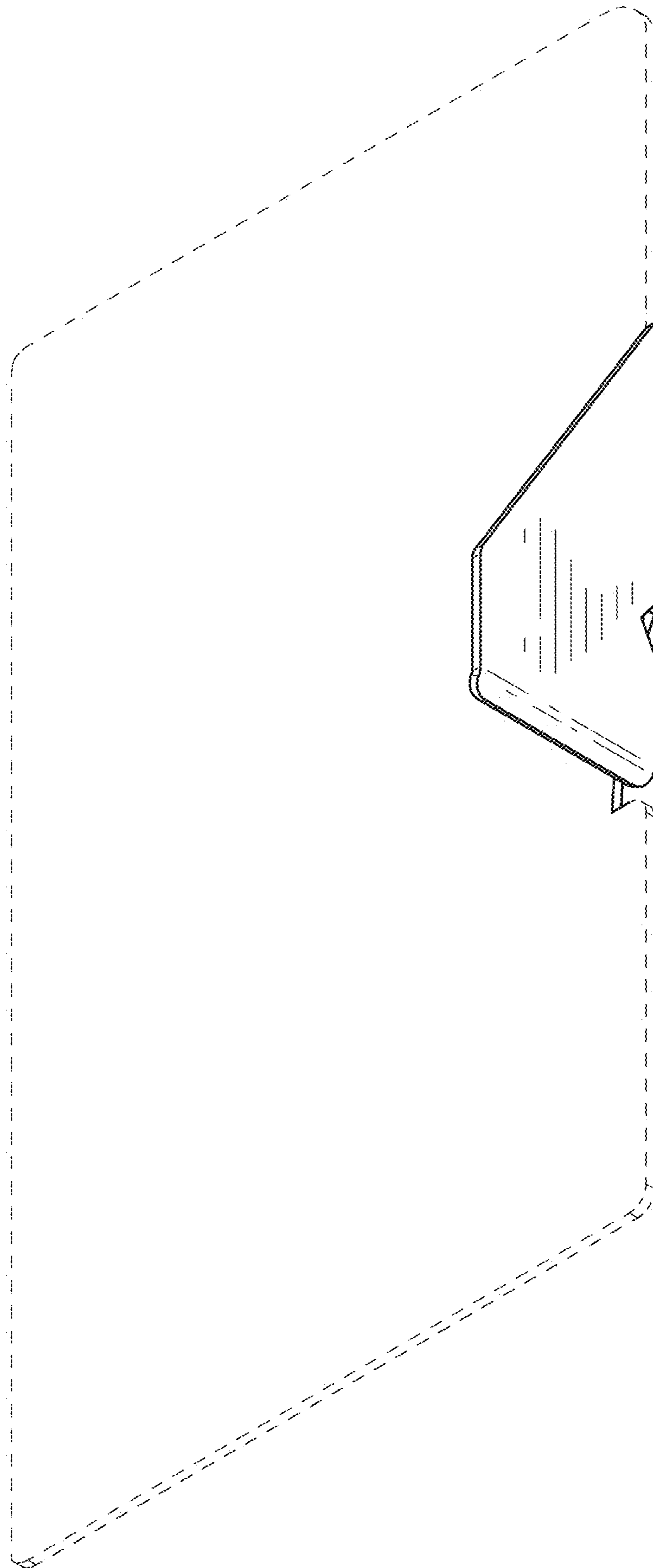


FIG. 12

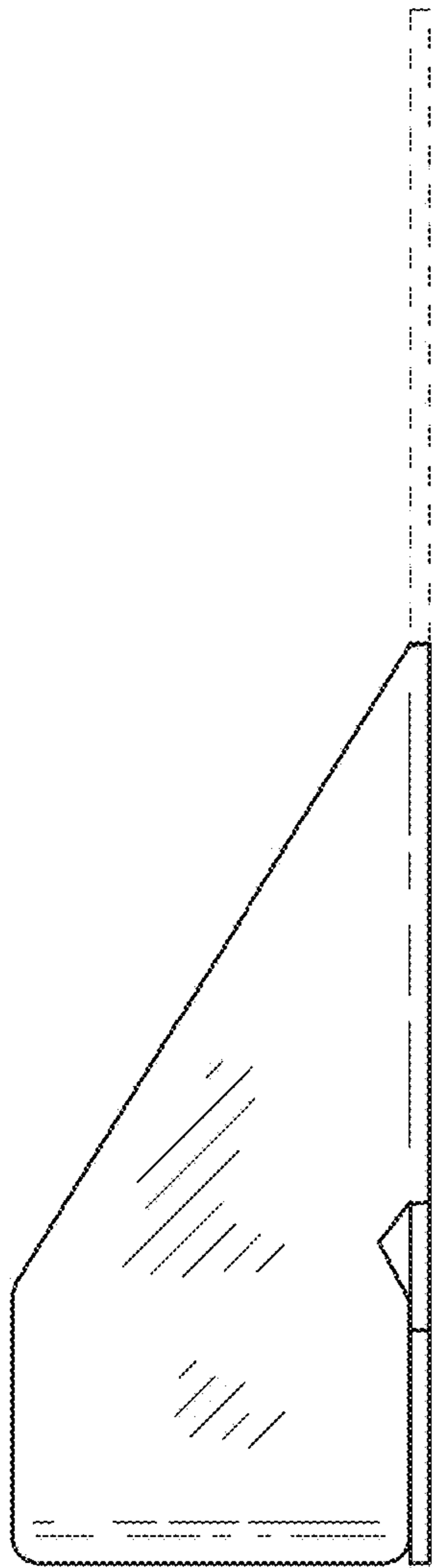


FIG. 13

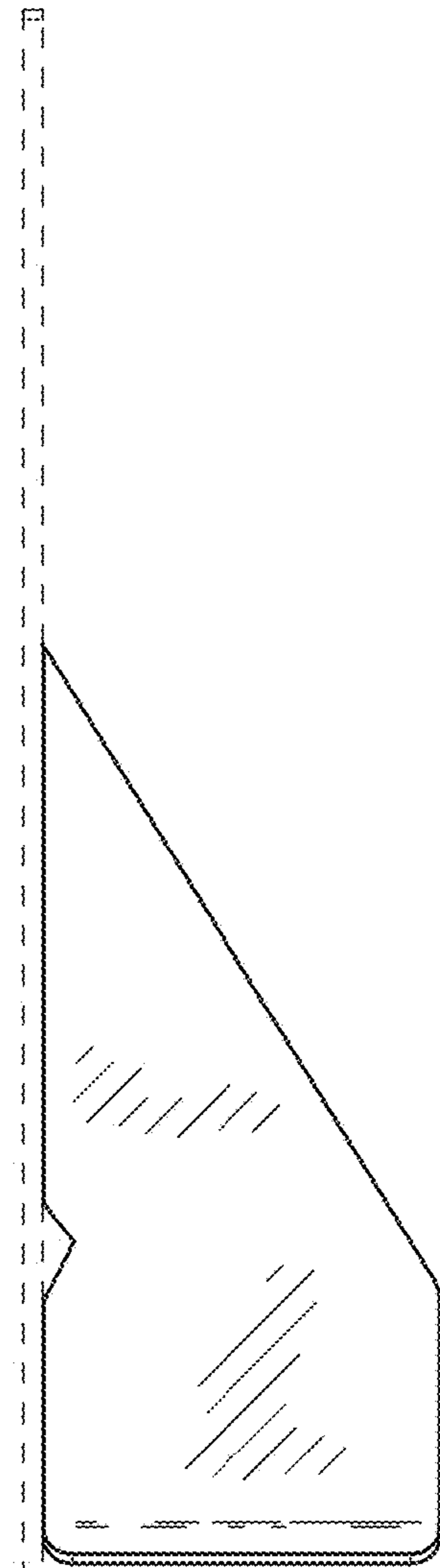
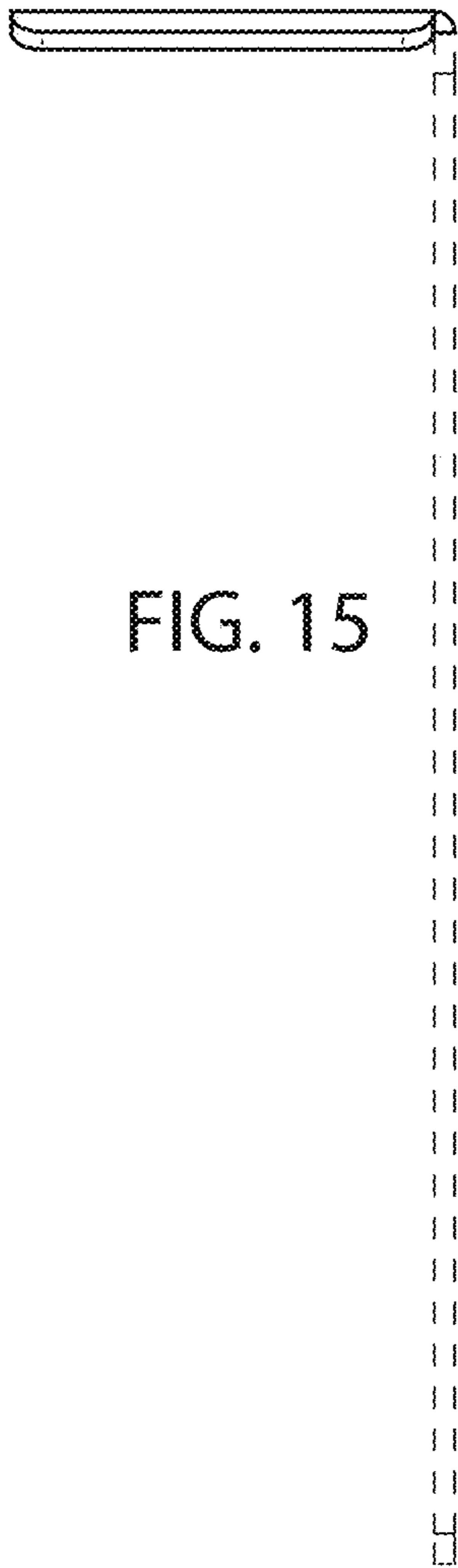


FIG. 14



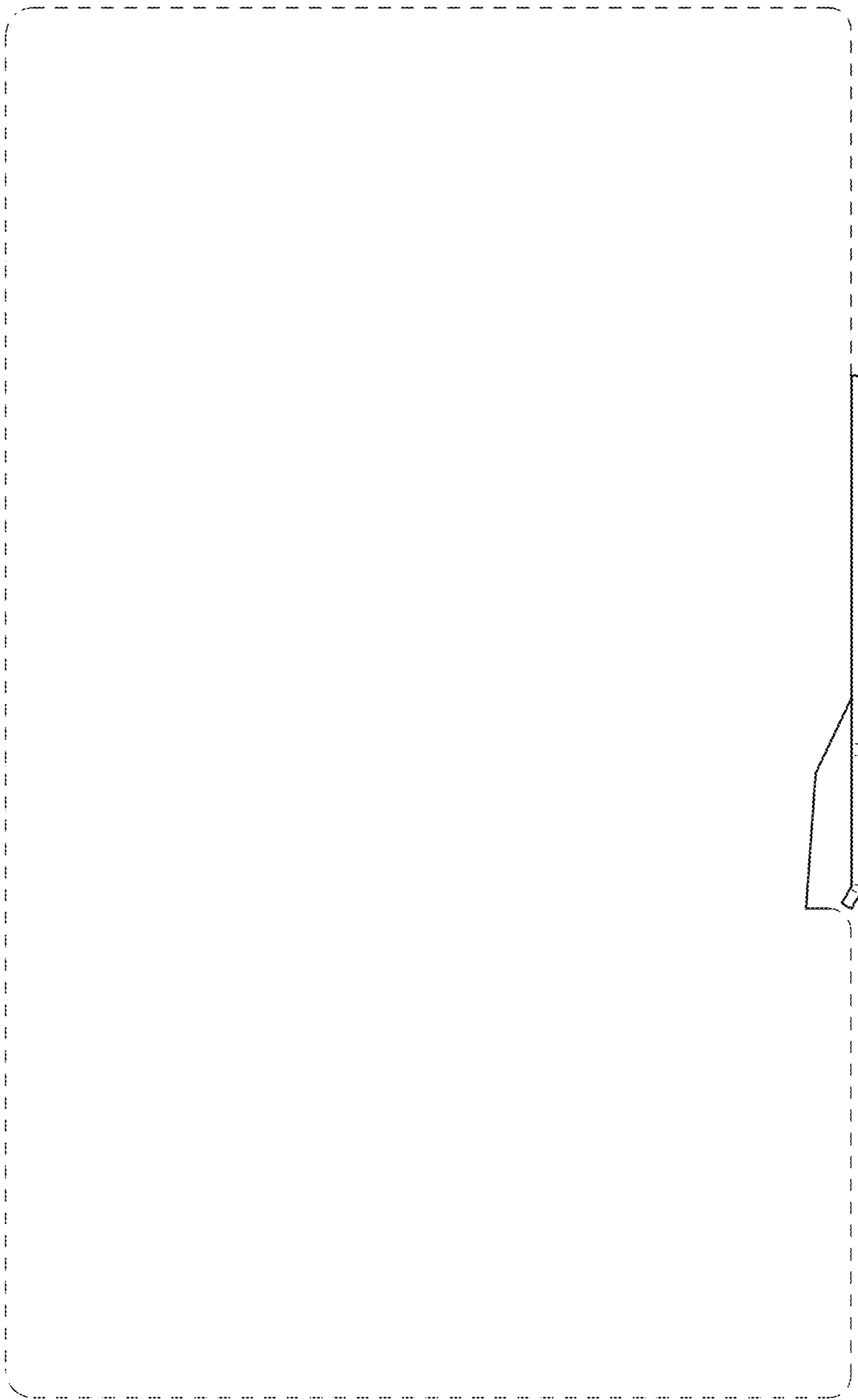


FIG. 17

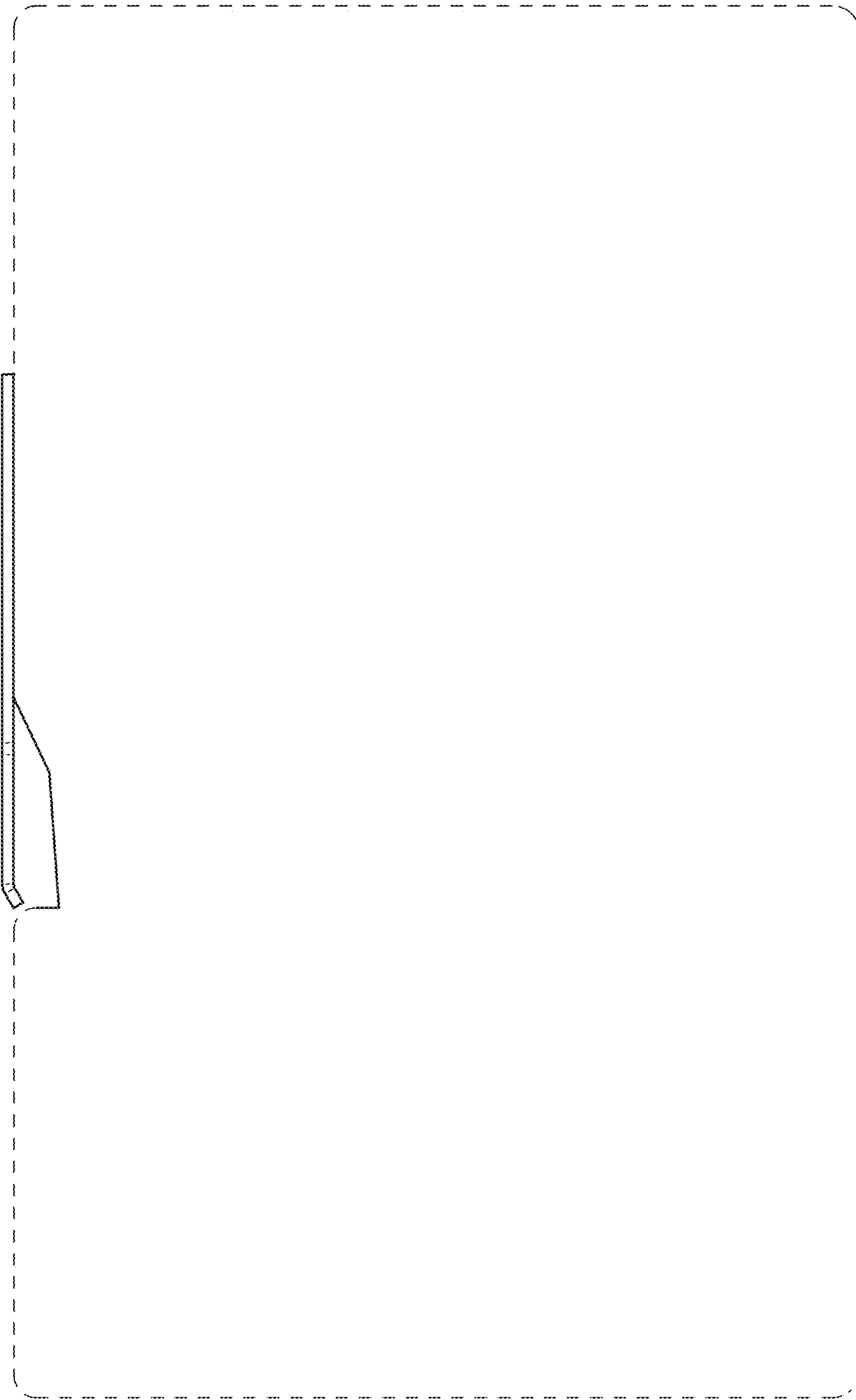


FIG. 18



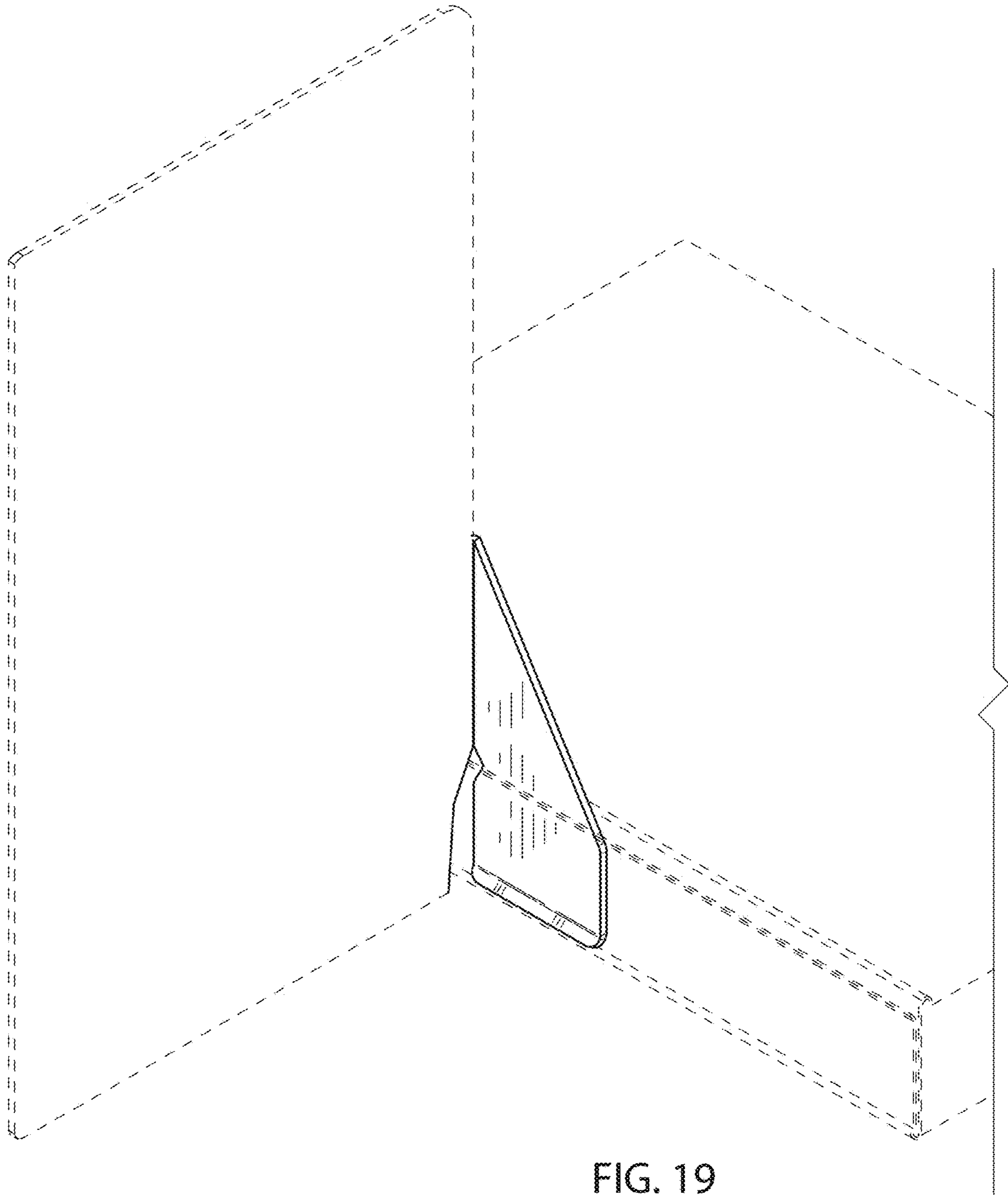


FIG. 19

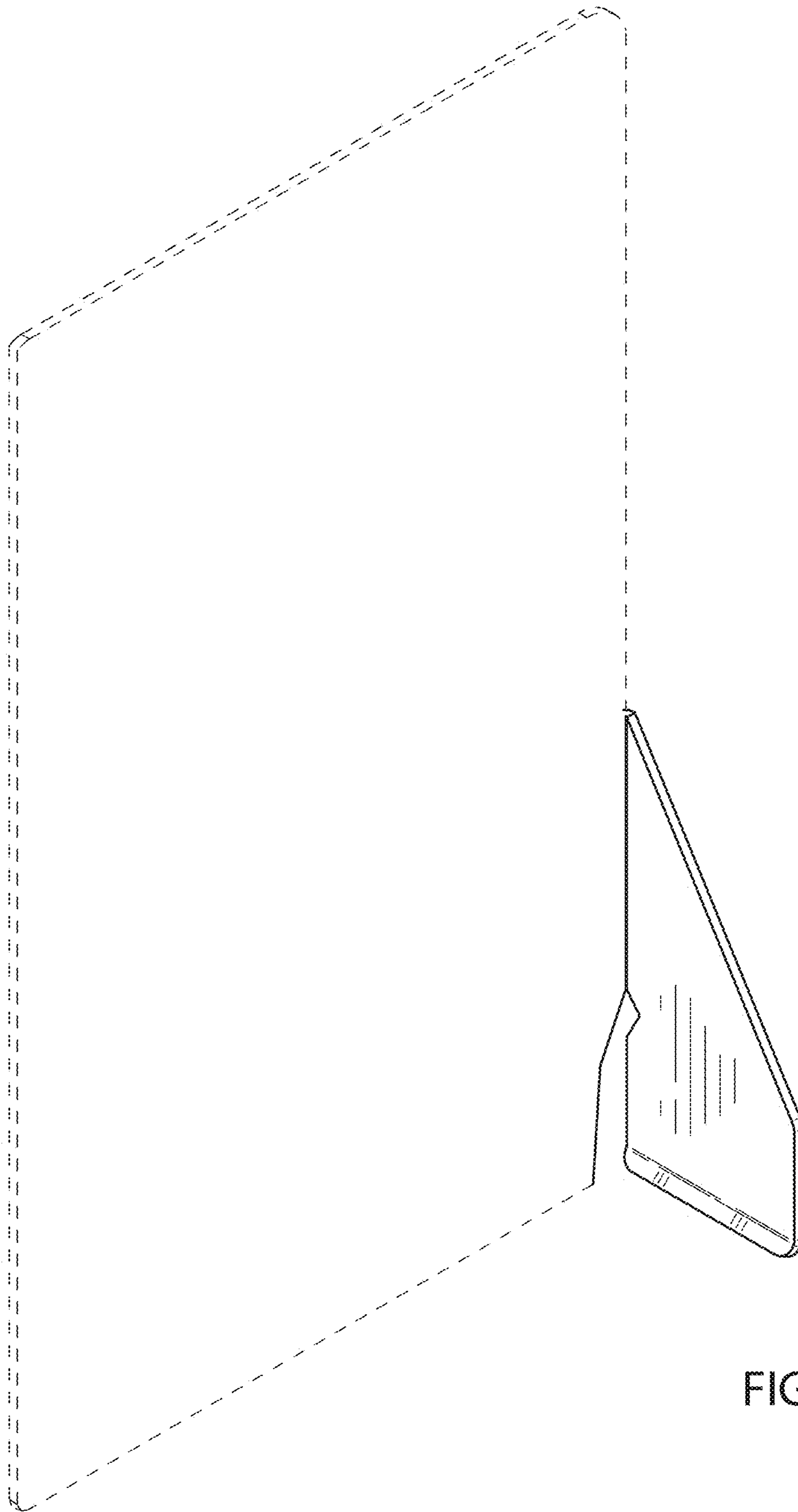


FIG. 20

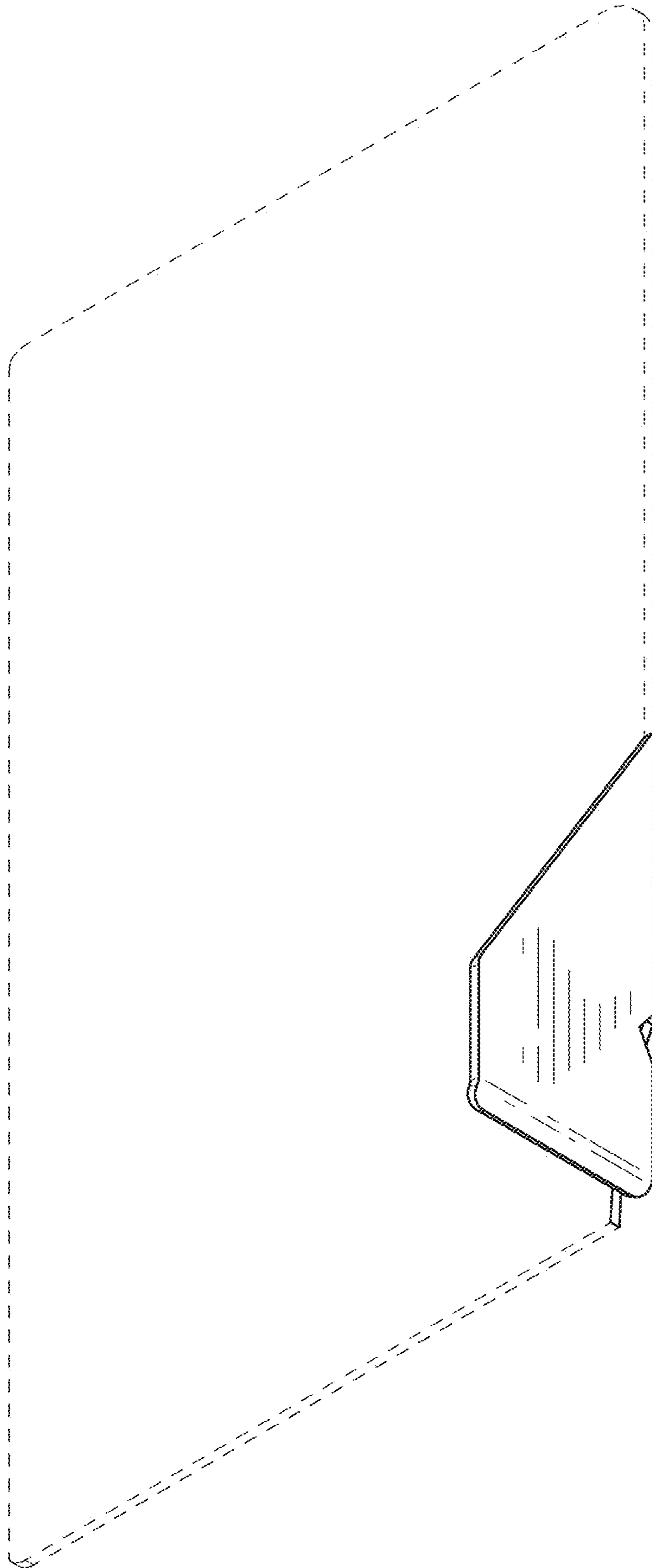


FIG. 21

FIG. 22

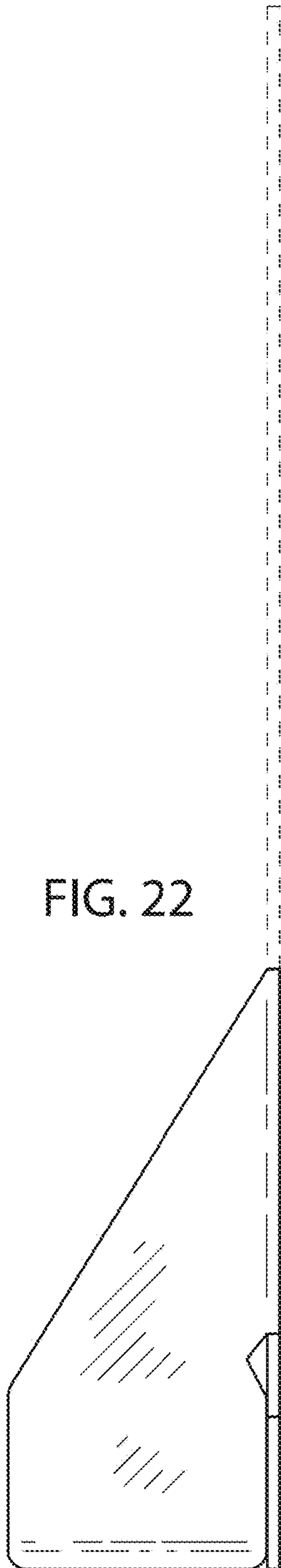
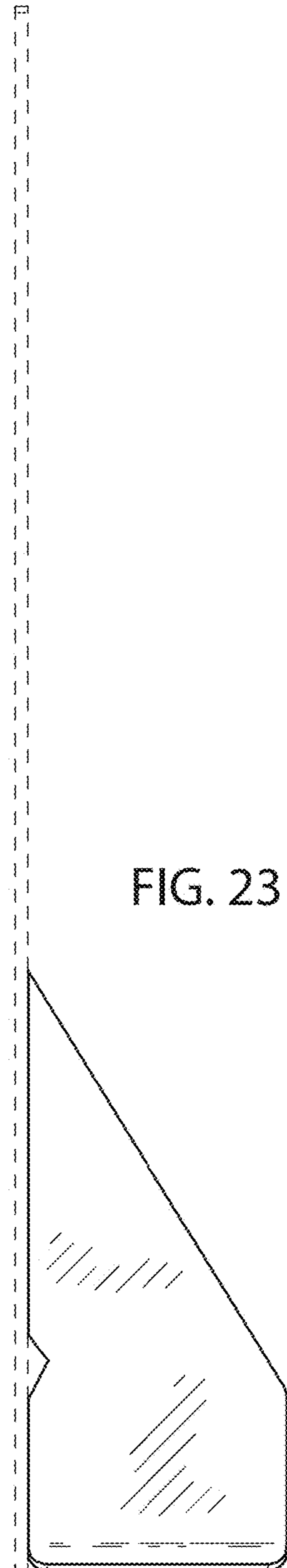
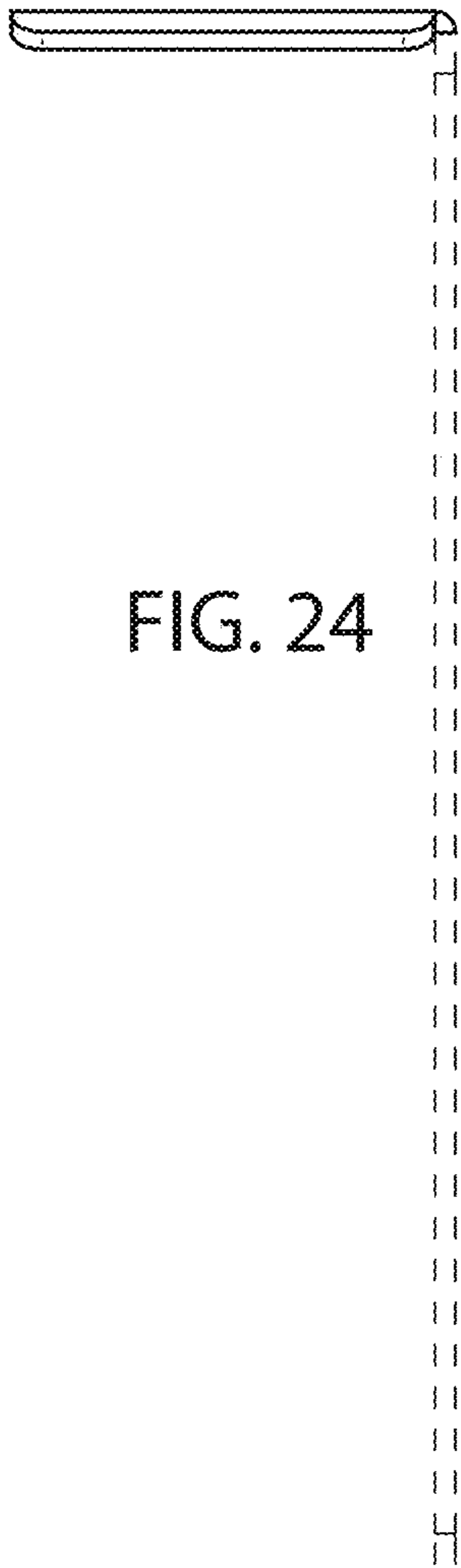


FIG. 23





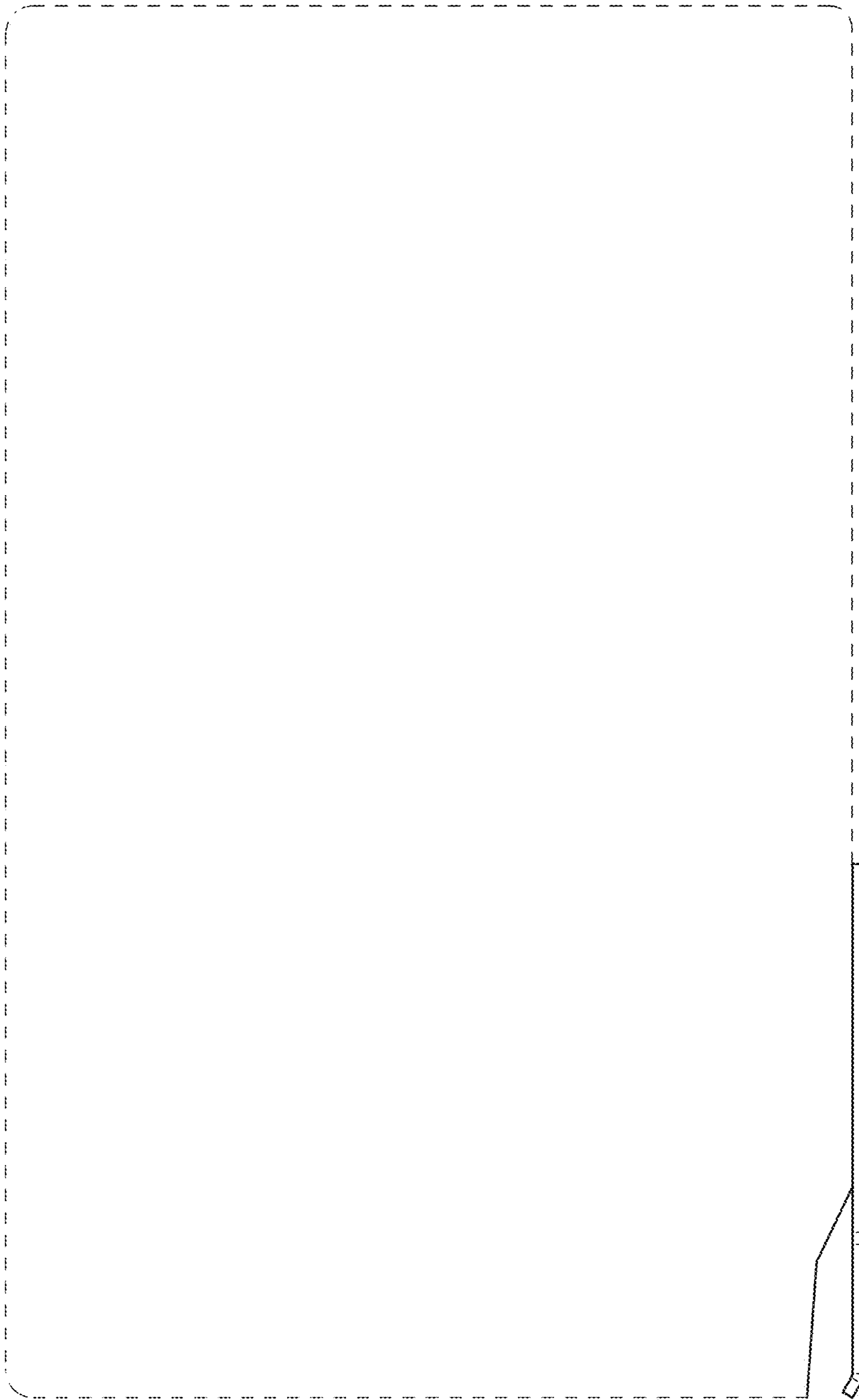


FIG. 26

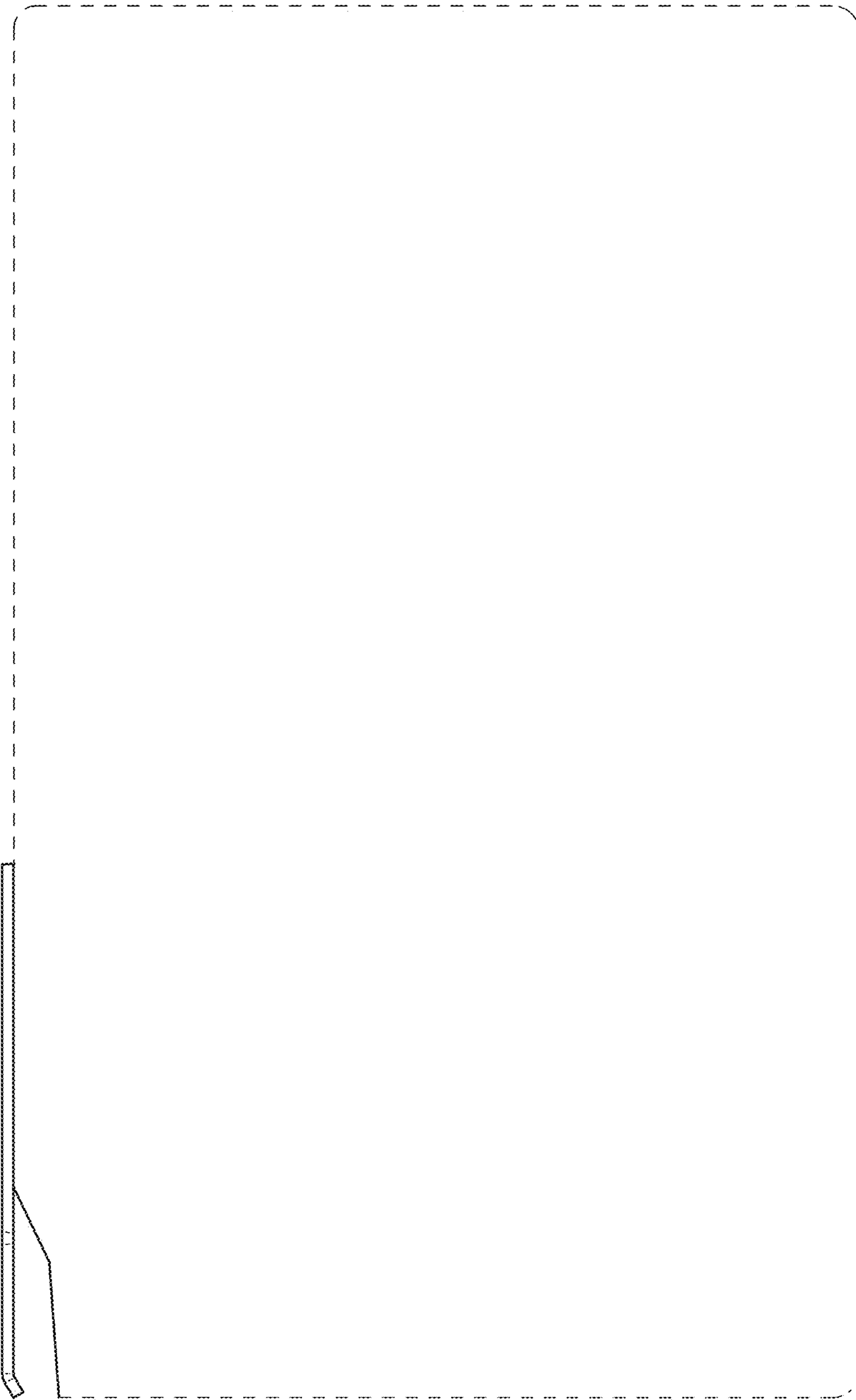


FIG. 27