



US00D919007S

(12) **United States Design Patent**  
**Jang**

(10) **Patent No.:** **US D919,007 S**  
(45) **Date of Patent:** **\*\* May 11, 2021**

(54) **BANNER HOLDER**  
(71) Applicant: **HOWSIGN Co., Ltd.**, Hwaseong-si (KR)  
(72) Inventor: **Jin Seop Jang**, Seongnam-si (KR)  
(73) Assignee: **HOWSIGN CO., LTD.**, Hwaseong-si (KR)  
(\*\*) Term: **15 Years**  
(21) Appl. No.: **29/694,949**  
(22) Filed: **Jun. 14, 2019**  
(30) **Foreign Application Priority Data**

Apr. 5, 2019 (KR) ..... 30-2019-0016144

(51) **LOC (13) Cl.** ..... **20-02**

(52) **U.S. Cl.**  
USPC ..... **D20/42; D20/43**

(58) **Field of Classification Search**

USPC ..... D6/325, 328; D8/321, 349, 354, 355,  
D8/366, 371, 373, 380, 381, 400;  
D20/10, 42-44, 99; D25/119

CPC .. G09F 17/00; G09F 2007/1834; G09F 15/02;  
G09F 15/0075; G09F 15/0018; G09F  
7/18; G09F 2007/186; G09F 7/16; G09F  
2007/122; G09F 13/00; G09F 13/04;  
G09F 13/06; G09F 13/18; G09F 13/22;  
G09F 13/24; G09F 13/26; G09F  
2013/1895; G09F 15/00; B29C 65/52;  
B29C 65/56; B23P 19/00; B32B 37/02;  
B32B 38/00

See application file for complete search history.

(56) **References Cited**

**U.S. PATENT DOCUMENTS**

3,034,242 A \* 5/1962 Gold ..... G09F 17/00  
40/604  
3,263,356 A \* 8/1966 Gilmoure ..... G09F 17/00  
40/604

3,310,899 A \* 3/1967 Hart ..... G09F 17/00  
40/604  
3,495,346 A \* 2/1970 Gilmoure ..... G09F 17/00  
40/617  
3,550,297 A \* 12/1970 Friedrichsen ..... G09F 17/00  
40/603  
3,581,420 A \* 6/1971 Mollet, III ..... G09F 17/00  
40/604  
3,609,894 A \* 10/1971 Miller, III ..... G09F 17/00  
40/655  
3,675,356 A \* 7/1972 Gilmoure ..... G09F 17/00  
40/604  
4,095,360 A \* 6/1978 Dinan ..... G09F 7/22  
40/603  
4,730,803 A \* 3/1988 Hillstrom ..... G09F 17/00  
248/219.4  
5,335,889 A \* 8/1994 Hopkins ..... G09F 7/18  
248/219.4

(Continued)

*Primary Examiner* — Mary Ann Calabrese

*Assistant Examiner* — Catherine Ho

(74) *Attorney, Agent, or Firm* — Rabin & Berdo, P.C.

(57) **CLAIM**

The ornamental design for a banner holder, as shown and described.

**DESCRIPTION**

FIG. 1 is a perspective view of a banner holder showing my new design;

FIG. 2 is a front view thereof;

FIG. 3 is a rear view thereof;

FIG. 4 is a left side view thereof;

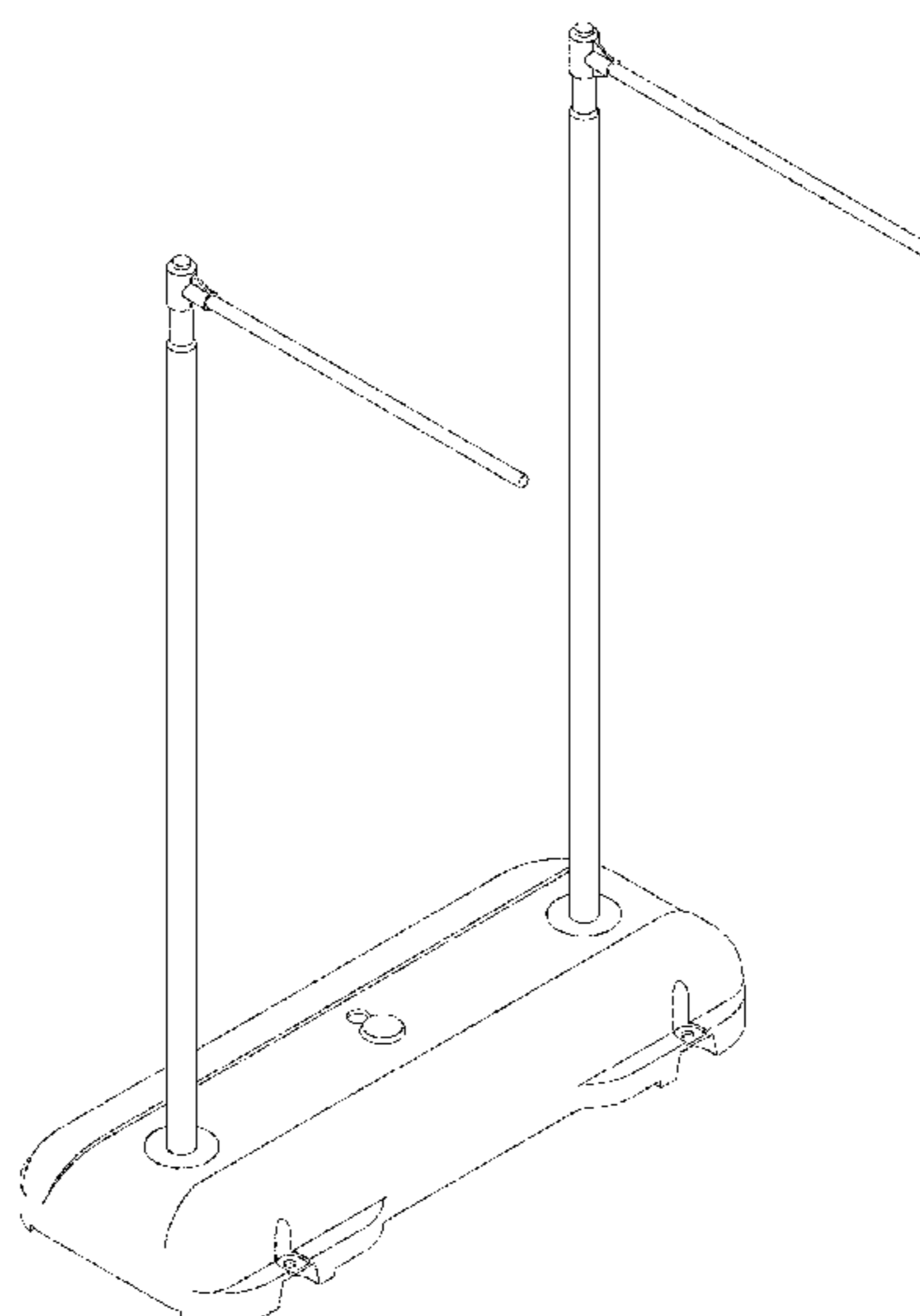
FIG. 5 is a right side view thereof;

FIG. 6 is a top view thereof; and,

FIG. 7 is a bottom view thereof.

The broken line portion of the figure drawings is included to show portions of the article that form no part of the claimed design.

**1 Claim, 6 Drawing Sheets**



(56)

**References Cited**

U.S. PATENT DOCUMENTS

5,428,913 A \* 7/1995 Hillstrom ..... G09F 7/18  
40/604  
6,493,973 B1 \* 12/2002 Nelson ..... G09F 7/18  
40/607.12  
6,618,973 B2 \* 9/2003 Nelson ..... G09F 17/00  
40/604  
7,237,754 B2 \* 7/2007 Sparkowski ..... G09F 15/0037  
248/219.1  
7,607,512 B2 \* 10/2009 Harwood ..... H04R 5/02  
181/148  
8,020,260 B2 \* 9/2011 Franklin ..... G09F 15/0025  
24/346  
8,037,630 B2 \* 10/2011 Crookham ..... G09F 15/0037  
40/607.01  
8,104,207 B2 \* 1/2012 Pitcher ..... G09F 7/20  
40/617  
8,672,280 B2 \* 3/2014 Suciu ..... G09F 7/18  
248/323  
10,403,183 B2 \* 9/2019 Pyc ..... F16M 13/02  
10,410,553 B2 \* 9/2019 Holyfield ..... G09F 17/00  
10,839,721 B2 \* 11/2020 Smith ..... G09F 7/18  
2006/0022099 A1 \* 2/2006 Sparkowski ..... G09F 17/00  
248/218.4

\* cited by examiner

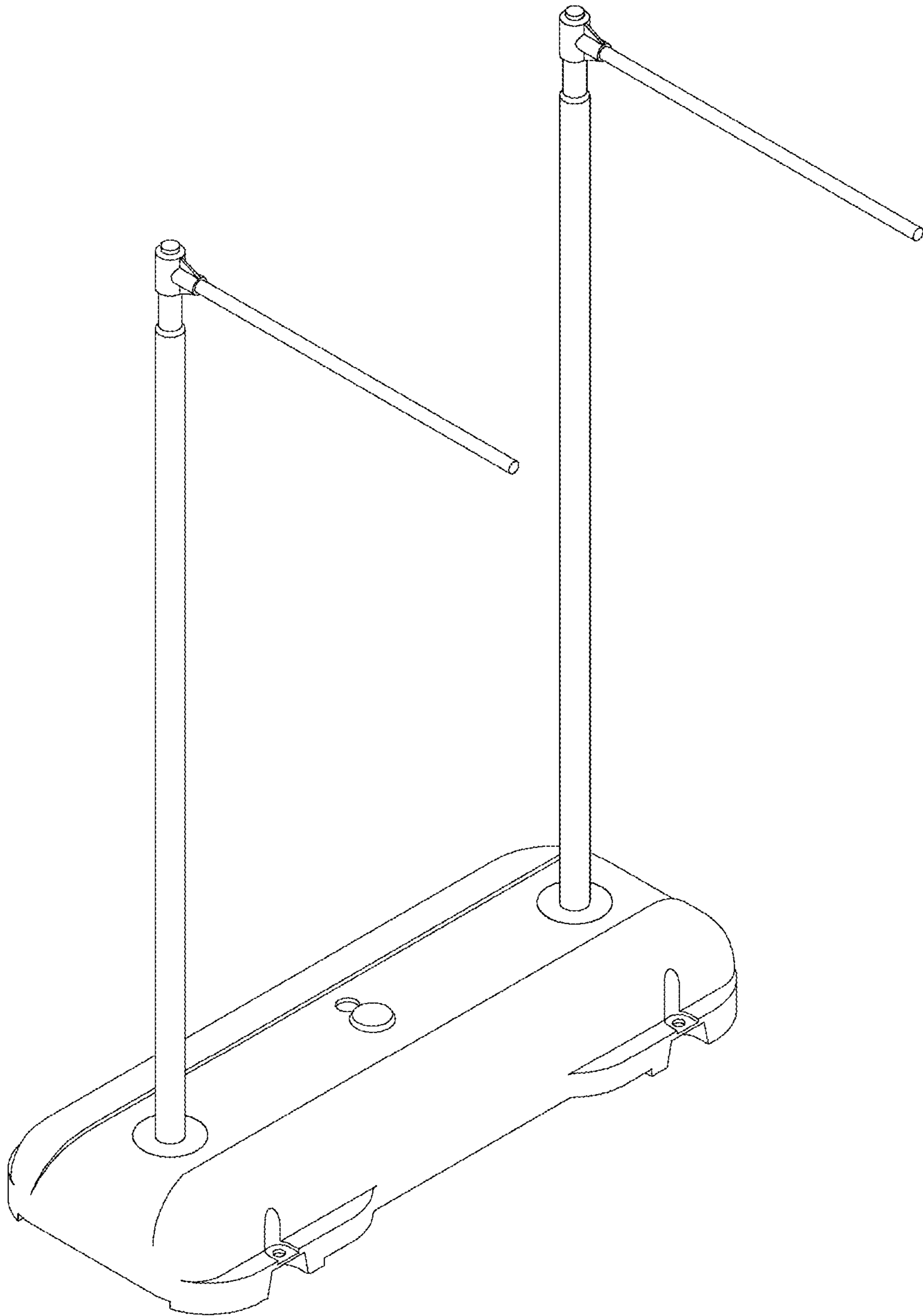


FIG. 1

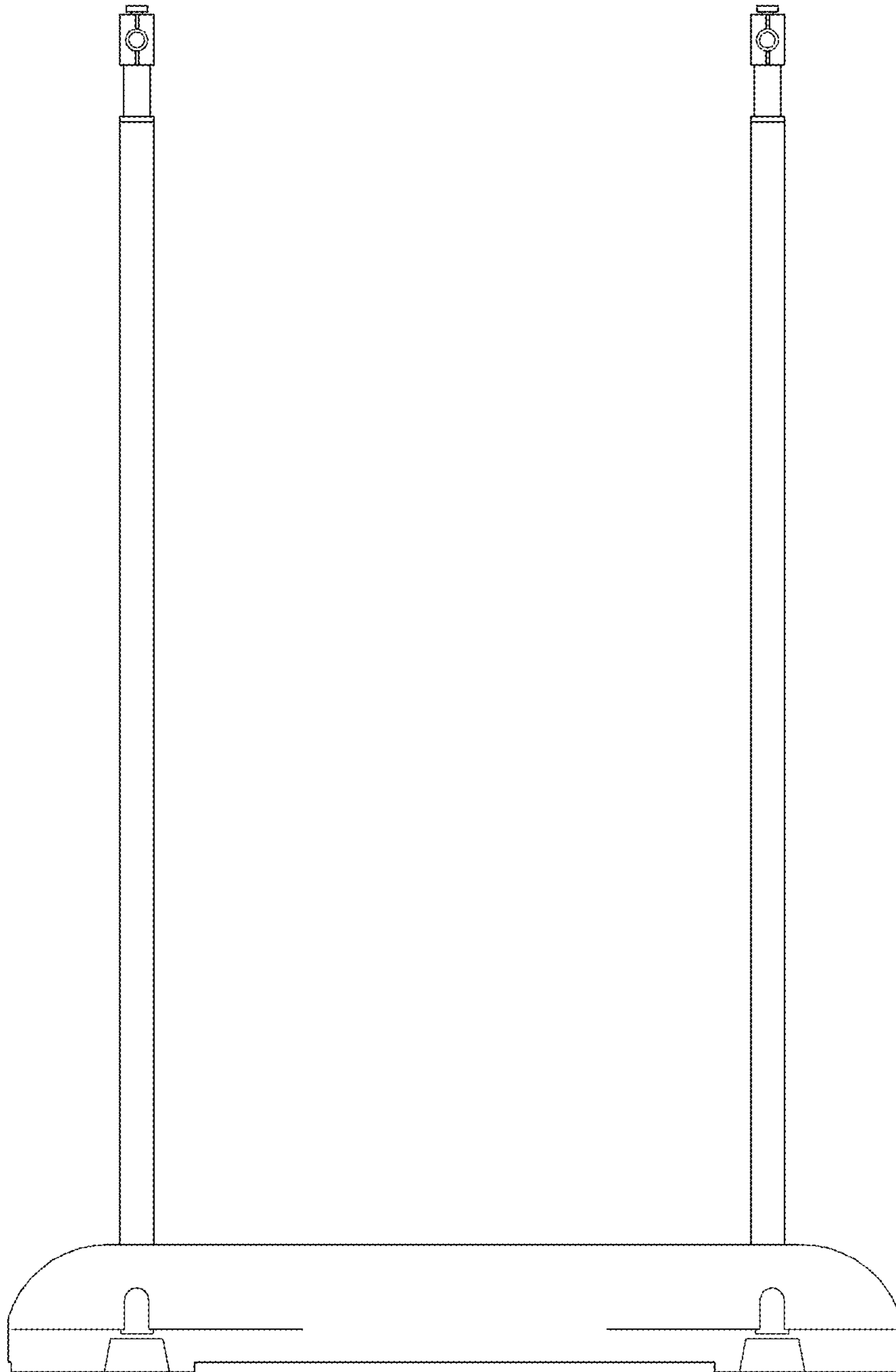


FIG. 2

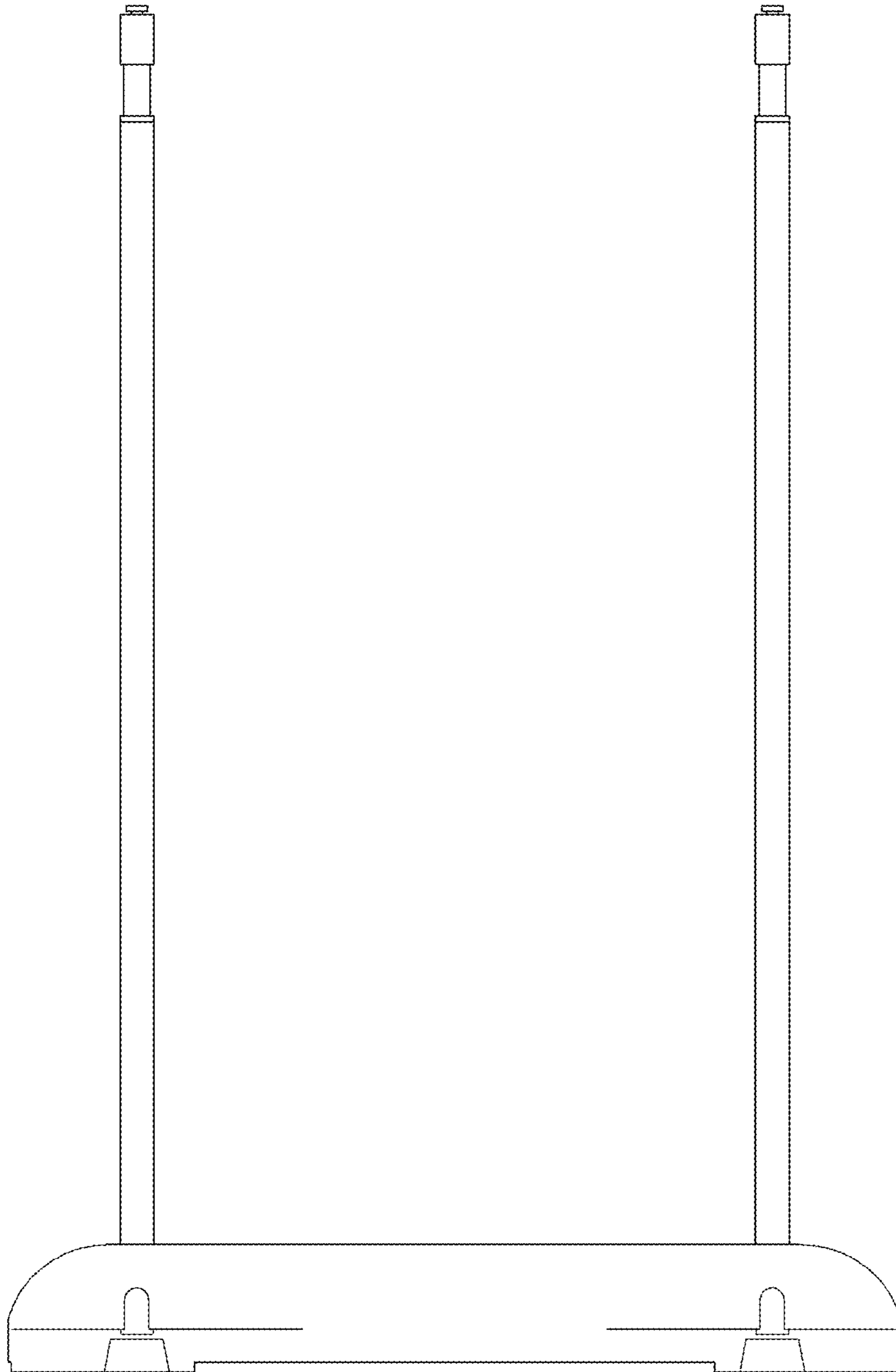


FIG. 3

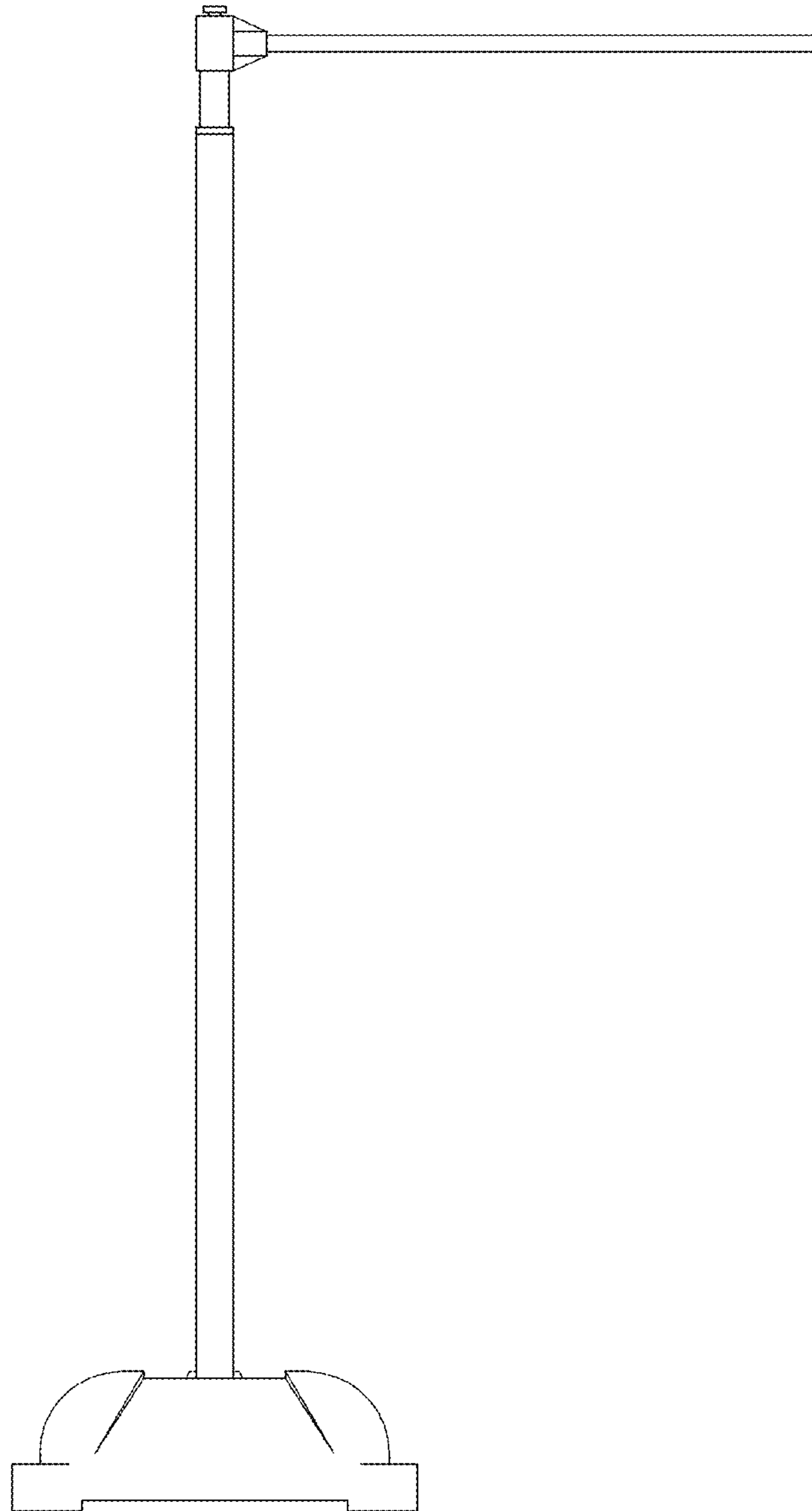


FIG. 4

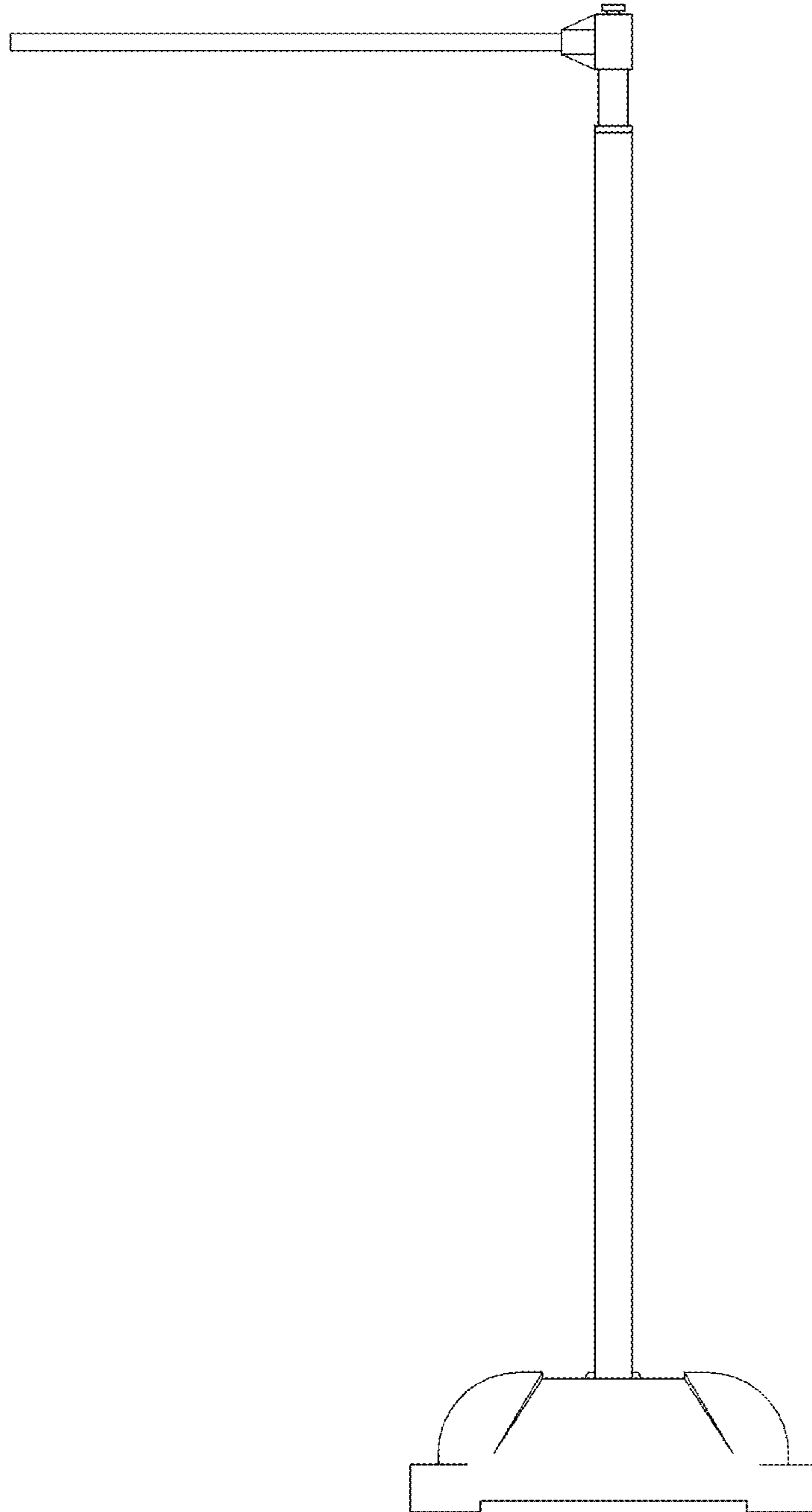


FIG. 5

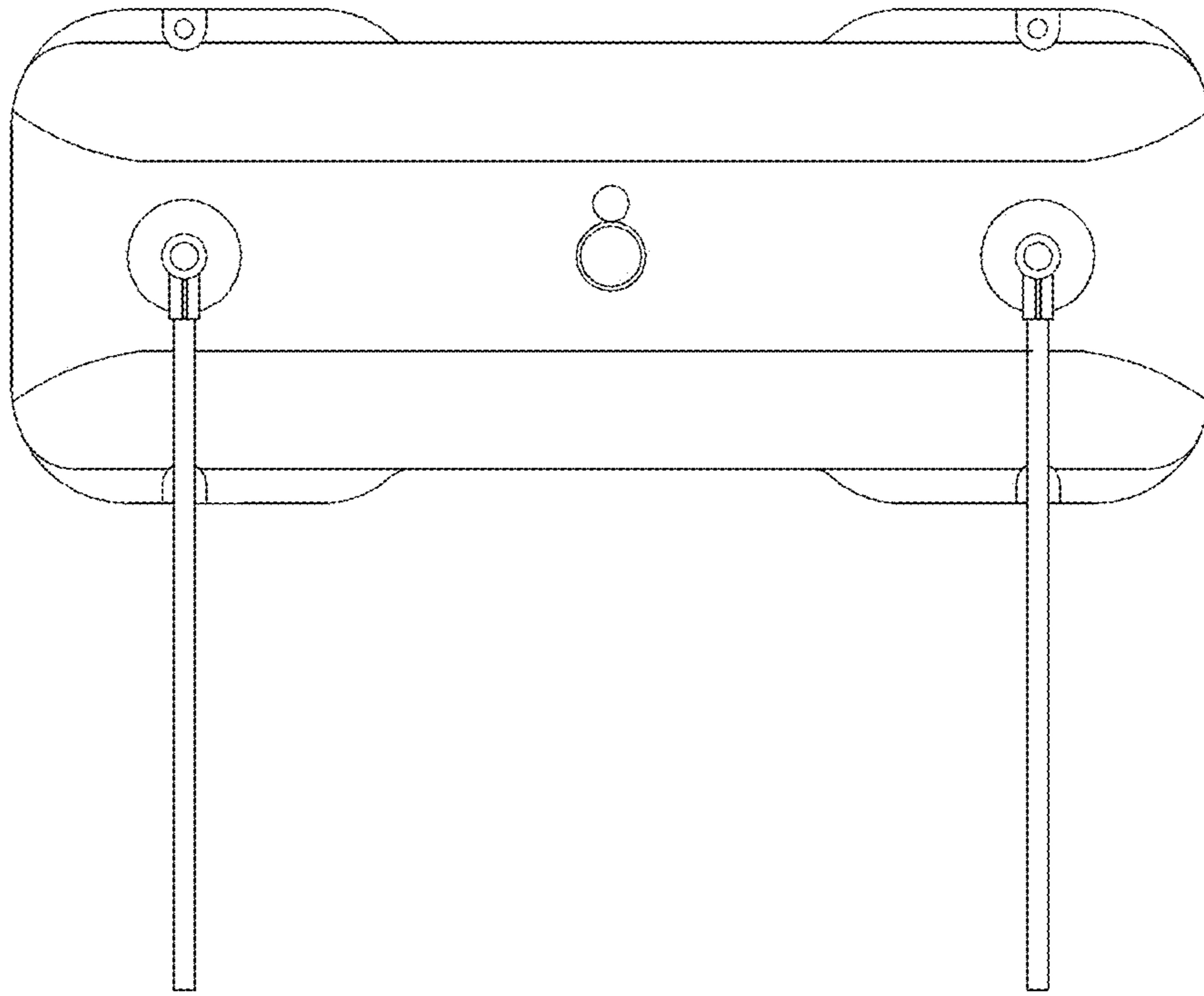


FIG. 6

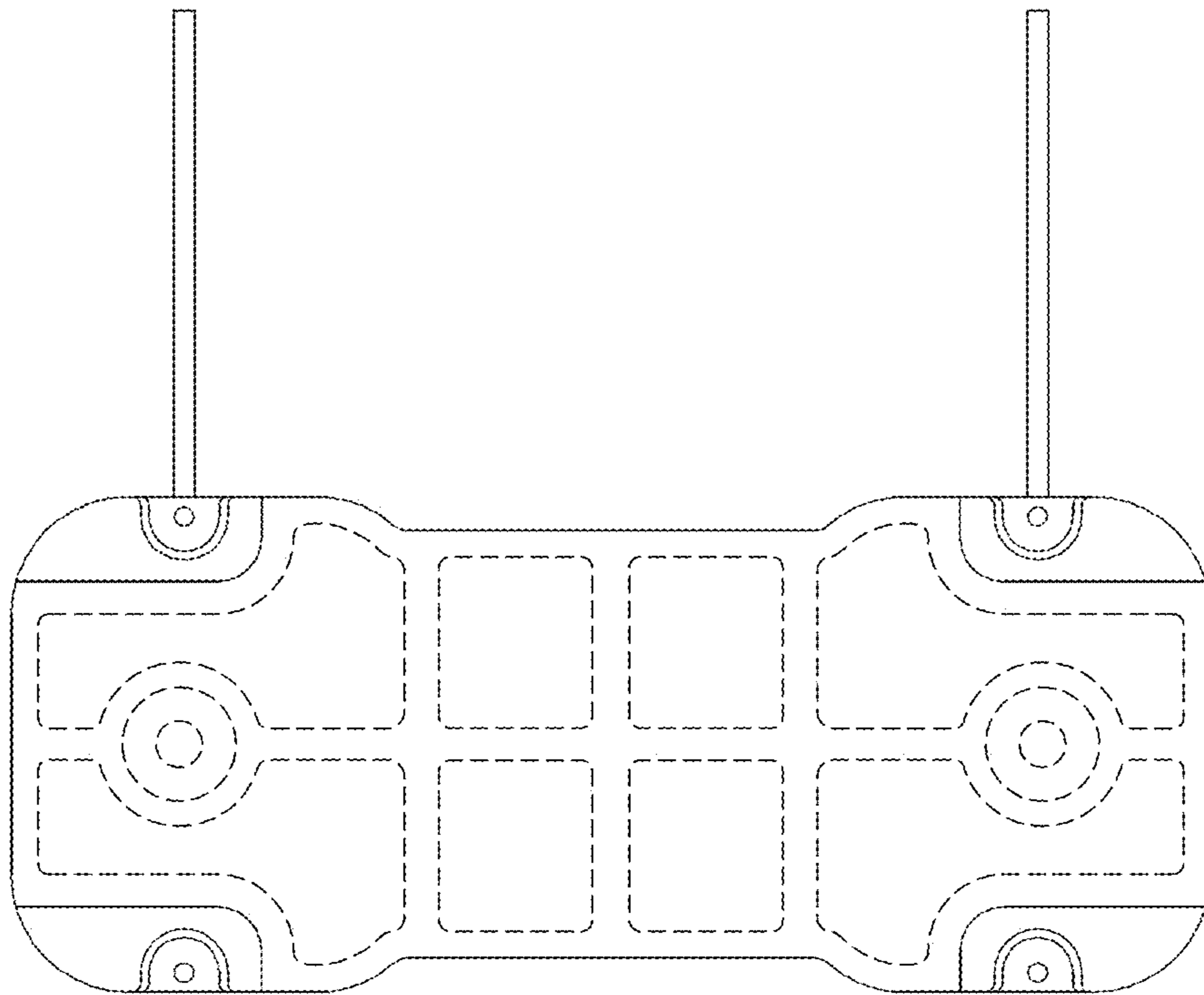


FIG. 7