



US00D919005S

(12) **United States Design Patent** (10) **Patent No.:** **US D919,005 S**
Nam (45) **Date of Patent:** **** May 11, 2021**

(54) **CHALK HOLDER**

(71) Applicant: **Mungyo ONS Corporation**, Gimhae-si (KR)

(72) Inventor: **Myeong Seok Nam**, Busan (KR)

(73) Assignee: **MUNGYO ONS CORPORATION**, Gimhae-si (KR)

(**) Term: **15 Years**

(21) Appl. No.: **35/508,133**

(22) Filed: **Jun. 13, 2019**

(80) **Hague Agreement Data**

Int. Filing Date: **Jun. 13, 2019**

Int. Reg. No.: **DM/202330**

Int. Reg. Date: **Jun. 13, 2019**

Int. Reg. Pub. Date: **Dec. 13, 2019**

(30) **Foreign Application Priority Data**

Dec. 20, 2018 (KR) 30-2018-0060393

(51) **LOC (13) Cl.** **19-06**

(52) **U.S. Cl.**
USPC **D19/81**

(58) **Field of Classification Search**

USPC D19/81-82, 115-204

CPC B43K 23/016; B43K 19/003; B43K 23/00;

B43K 23/001; B43K 23/02; B43K 24/00;

B43K 27/00; B43K 29/00; B43K 29/10;

B43K 31/005

See application file for complete search history.

(56) **References Cited**

U.S. PATENT DOCUMENTS

D28,559 S * 5/1898 Ingram D19/81

D458,637 S * 6/2002 Gaeta D19/135

D499,764 S *	12/2004	Arnold	D19/84
D671,167 S *	11/2012	Nichols	D19/102
D678,415 S *	3/2013	Gorbunov	D19/81
D701,902 S *	4/2014	Nichols	D19/85
D807,960 S *	1/2018	Lo	D19/204
D839,271 S *	1/2019	King-Murrey	D14/432
D852,270 S *	6/2019	Sirichai	D19/81
D876,538 S *	2/2020	Orem	D19/85
D876,539 S *	2/2020	Orem	D19/85
D892,214 S *	8/2020	Jordan	D19/81
2019/0077184 A1 *	3/2019	Jordan	B43K 23/016

* cited by examiner

Primary Examiner — Khawaja Anwar

(74) *Attorney, Agent, or Firm* — STIP Law Group, LLC

(57) **CLAIM**

The ornamental design for a chalk holder, as shown and described.

DESCRIPTION

1. Chalk holder

1.1 : Perspective

1.2 : Front

1.3 : Back

1.4 : Left

1.5 : Right

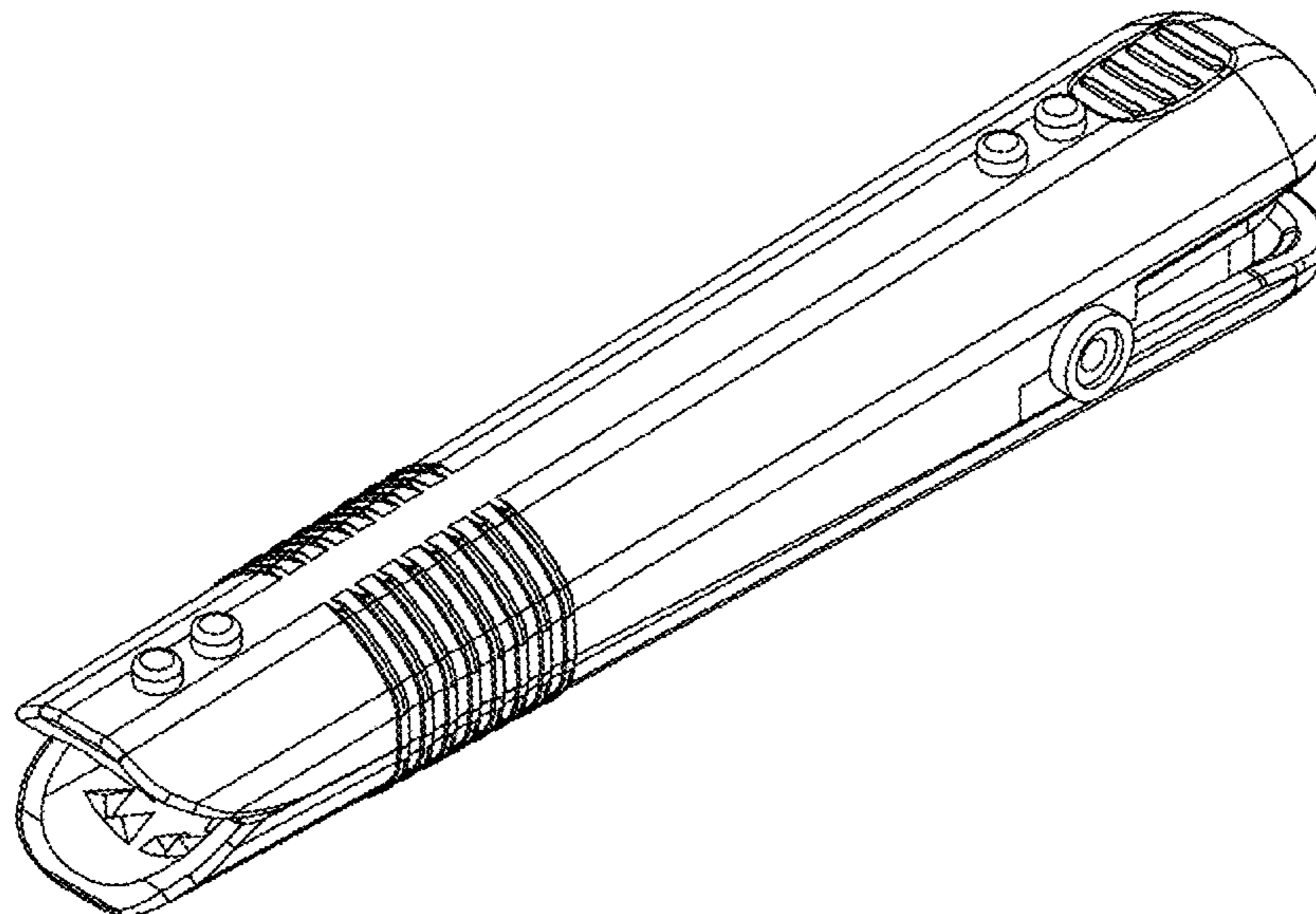
1.6 : Top

1.7 : Bottom

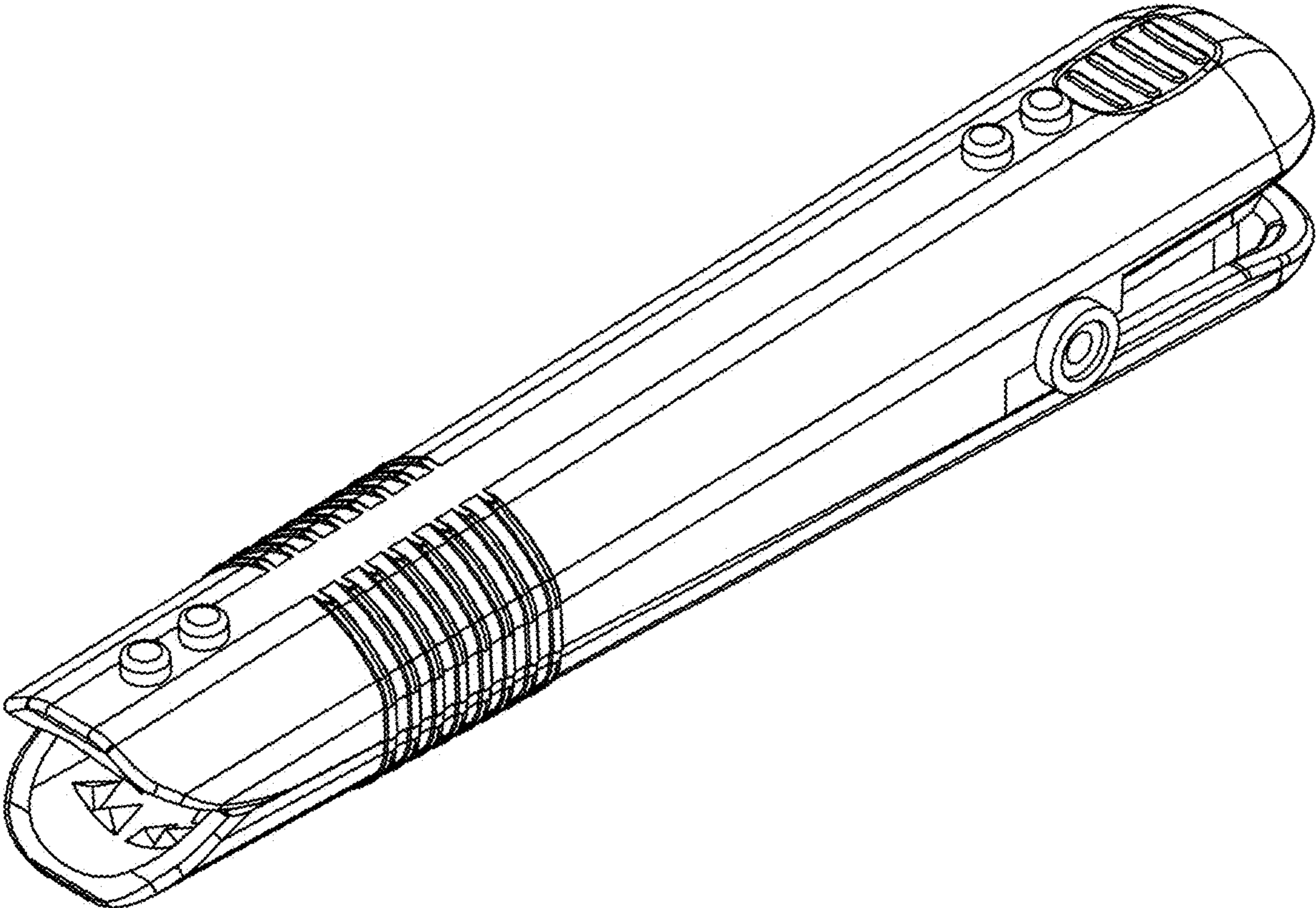
1.8 : Bottom perspective

The material is made of synthetic resin; this design item is used to adjust the length and fix the position by inserting the chalk; figure 1.1 is a diagram representing the overall shape of the design, figure 1.2 is a drawing showing the front side of the design, figure 1.3 is the back side of the design, figure 1.4 is the left side of the design, figure 1.5 is the right side of the design, figure 1.6 is the top side of the design, figure 1.7 is the bottom side of the design, figure 1.8 shows the overall shape of the bottom part of the design.

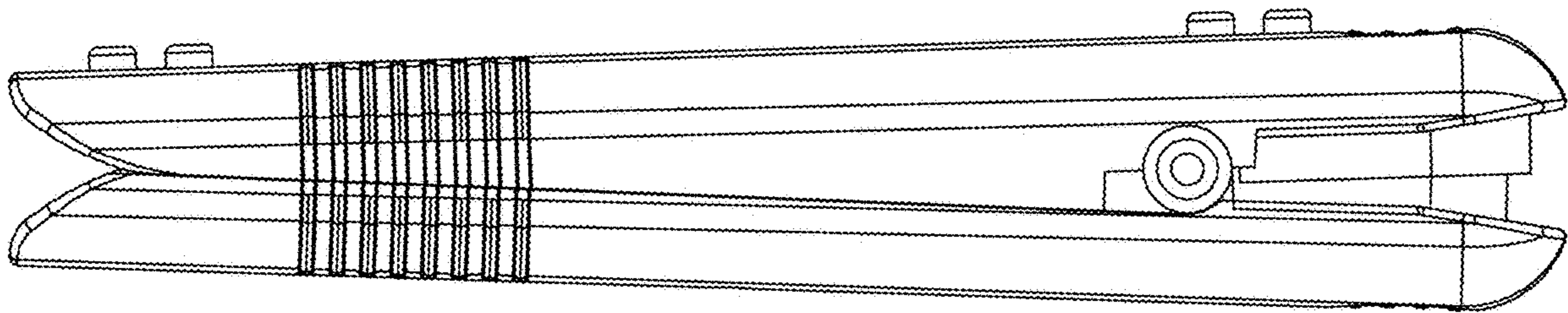
1 Claim, 8 Drawing Sheets



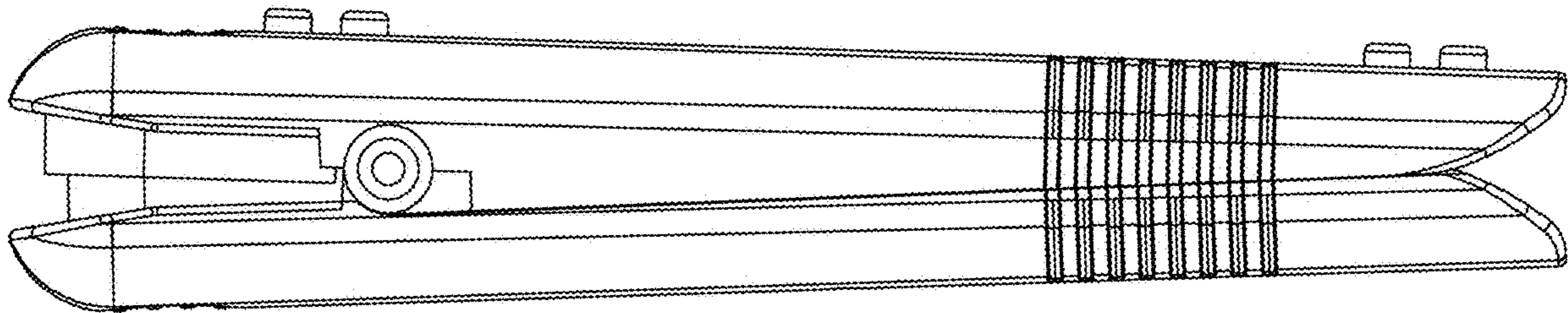
1.1



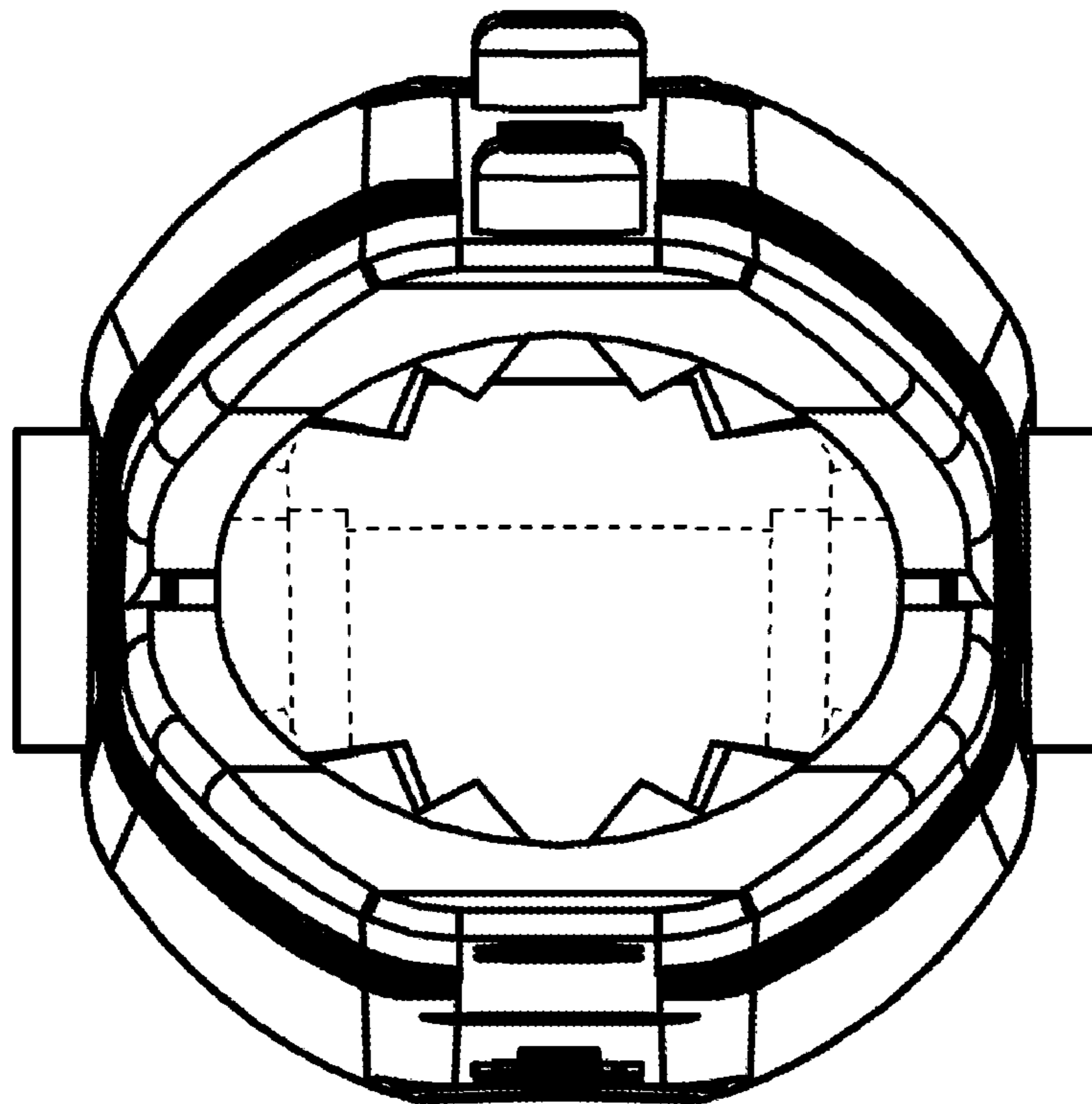
1.2



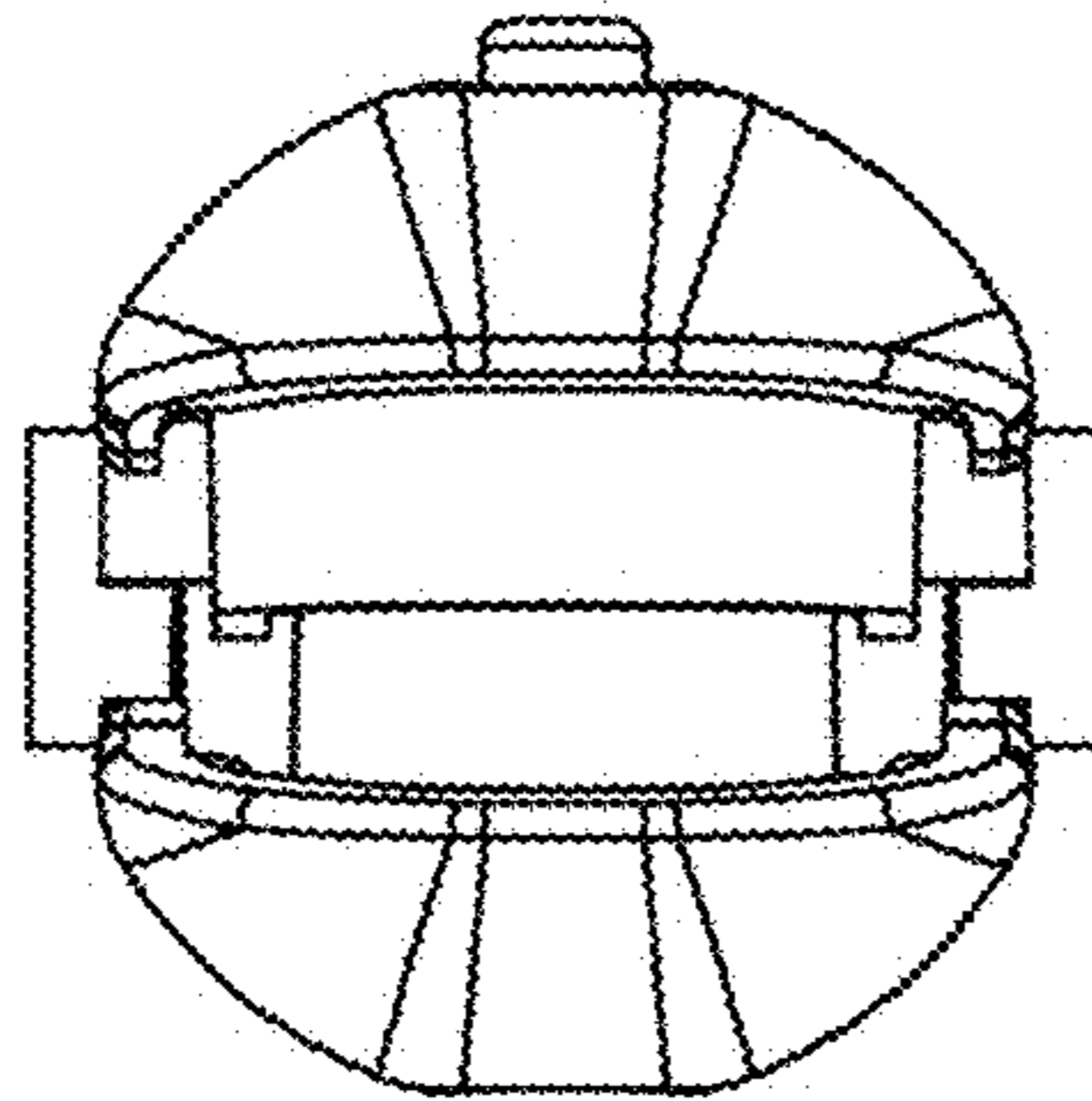
1.3



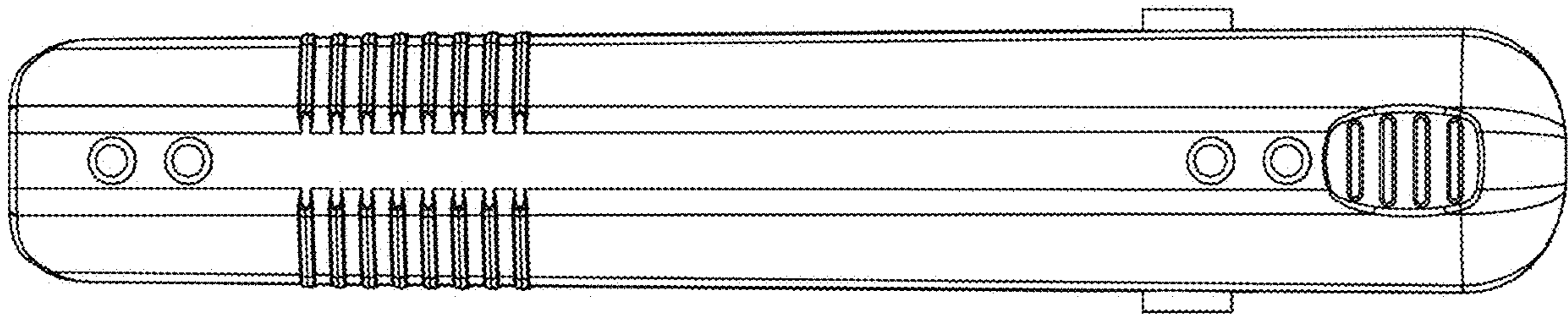
1.4



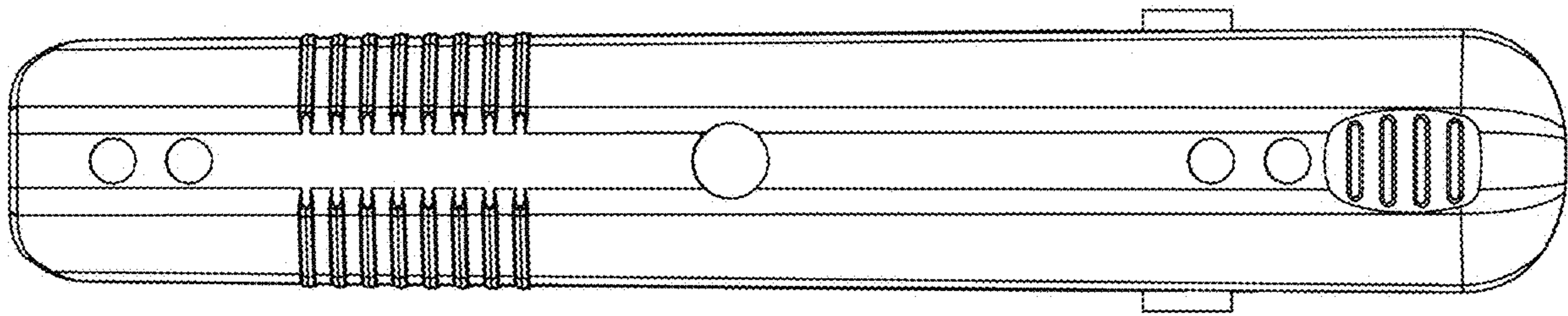
1.5



1.6



1.7



1.8

