



US00D919003S

(12) **United States Design Patent** (10) **Patent No.:** **US D919,003 S**
Lee et al. (45) **Date of Patent:** **** May 11, 2021**

(54) **TAPE DISPENSER**
(71) Applicant: **3M INNOVATIVE PROPERTIES COMPANY**, St. Paul, MN (US)
(72) Inventors: **In-Hwan Lee**, Gyeonggi-do (KR); **Moonkyoung Jang**, Gyeonggi-do (KR); **Jaehyuk Lee**, Seoul (KR)
(73) Assignee: **3M INNOVATIVE PROPERTIES COMPANY**, St. Paul, MN (US)

D640,325 S * 6/2011 Broen D19/69
D664,201 S * 7/2012 Packard D19/69
D666,243 S * 8/2012 Hagglund D19/69
D671,991 S * 12/2012 Hagglund D19/69
D681,734 S * 5/2013 Hagglund D19/69
D687,102 S * 7/2013 Chandaria D19/69
9,809,411 B2 * 11/2017 Tiedemann B65H 37/005
9,963,317 B2 * 5/2018 Tiedemann B65H 35/0033
10,106,360 B2 * 10/2018 Tiedemann B65H 35/0026
D860,312 S * 9/2019 Oh D19/69
D873,914 S * 1/2020 Lusson D19/69
D873,915 S * 1/2020 Nash D19/69

(Continued)

(**) Term: **15 Years**

FOREIGN PATENT DOCUMENTS

(21) Appl. No.: **29/683,728**

KR 10-0779842 11/2007
KR 10-0814244 3/2008

(22) Filed: **Mar. 15, 2019**

(Continued)

(51) **LOC (13) Cl.** **19-02**

Primary Examiner — Elizabeth A. Albert

(52) **U.S. Cl.**
USPC **D19/69**

(74) *Attorney, Agent, or Firm* — Kevin W. Weber

(58) **Field of Classification Search**
USPC D19/65–71, 75, 77, 85, 99, 100, 86, 90
CPC B65H 35/0026; B65H 35/0033; B65H 35/0073; B65H 37/005; B65H 37/007
See application file for complete search history.

(57) **CLAIM**

The ornamental design for a tape dispenser, as shown and described.

DESCRIPTION

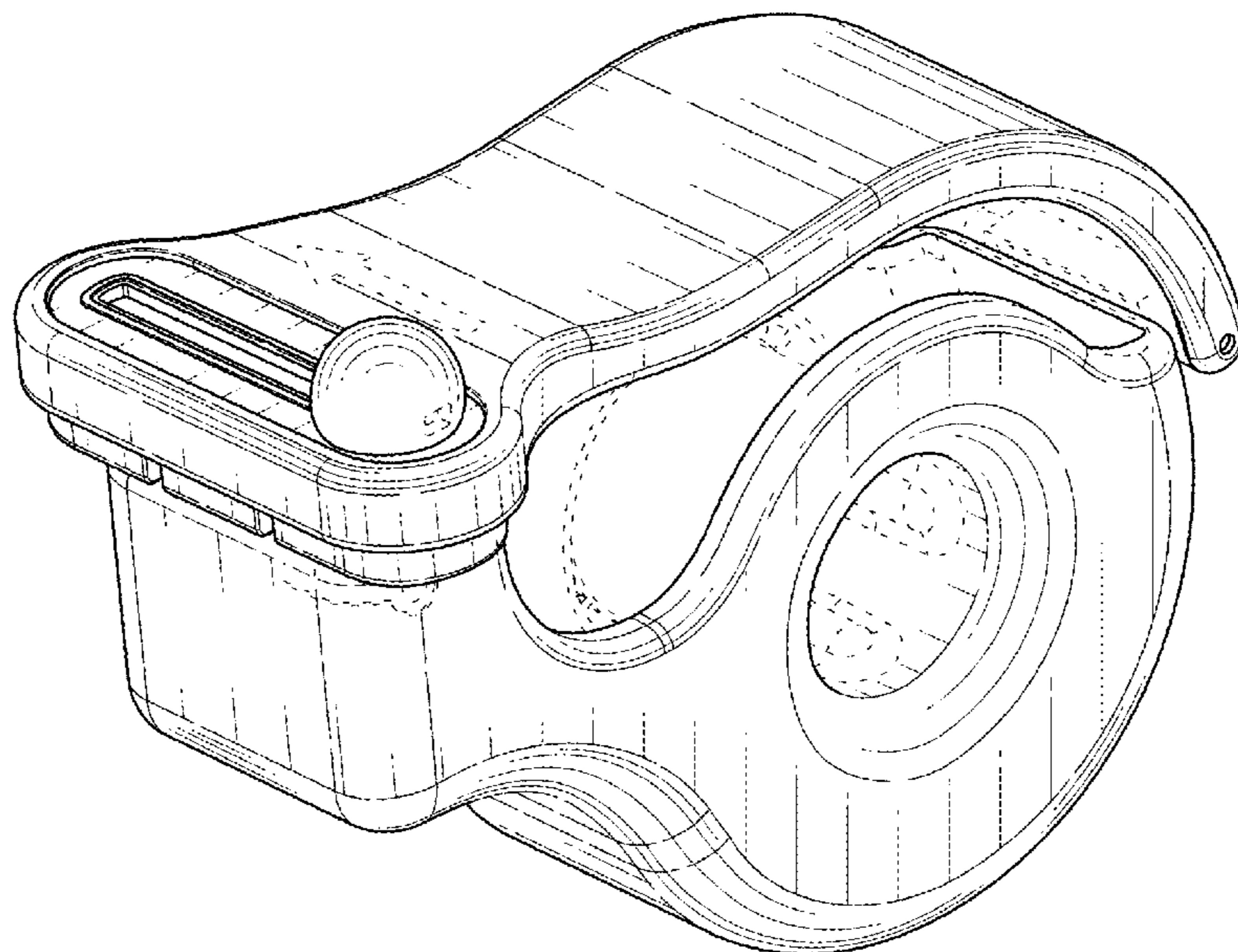
(56) **References Cited**

U.S. PATENT DOCUMENTS

D209,356 S * 11/1967 Le Merle D19/69
3,725,182 A * 4/1973 Regan B65H 35/0026
156/527
5,792,310 A * 8/1998 Thompson B65H 35/0026
156/523
D510,951 S * 10/2005 Carlson D19/67
D525,305 S * 7/2006 Carlson D19/69
D539,352 S * 3/2007 Farce D19/69
D540,870 S * 4/2007 Porcini D19/69
D541,347 S * 4/2007 Porcini D19/69
D541,864 S * 5/2007 Porcini D19/69
D552,179 S * 10/2007 Thorsteinsson D19/69
7,540,225 B2 6/2009 Lee

FIG. 1 is a perspective view showing the new design for a tape dispenser;
FIG. 2 is a front view thereof;
FIG. 3 is a rear view thereof;
FIG. 4 is a left side view thereof;
FIG. 5 is a right side view thereof;
FIG. 6 is a top view thereof;
FIG. 7 is a bottom view thereof; and,
FIG. 8 is a perspective view thereof with a tape.
The portions of the tape dispenser in FIGS. 1-6 and 8 shown in broken lines are included to show features that form no part of the claimed design.

1 Claim, 6 Drawing Sheets



(56)

References Cited

U.S. PATENT DOCUMENTS

2015/0183609 A1* 7/2015 Broen B65H 35/0073
242/562

FOREIGN PATENT DOCUMENTS

KR 10-0864874 10/2008
KR 10-1871232 6/2018

* cited by examiner

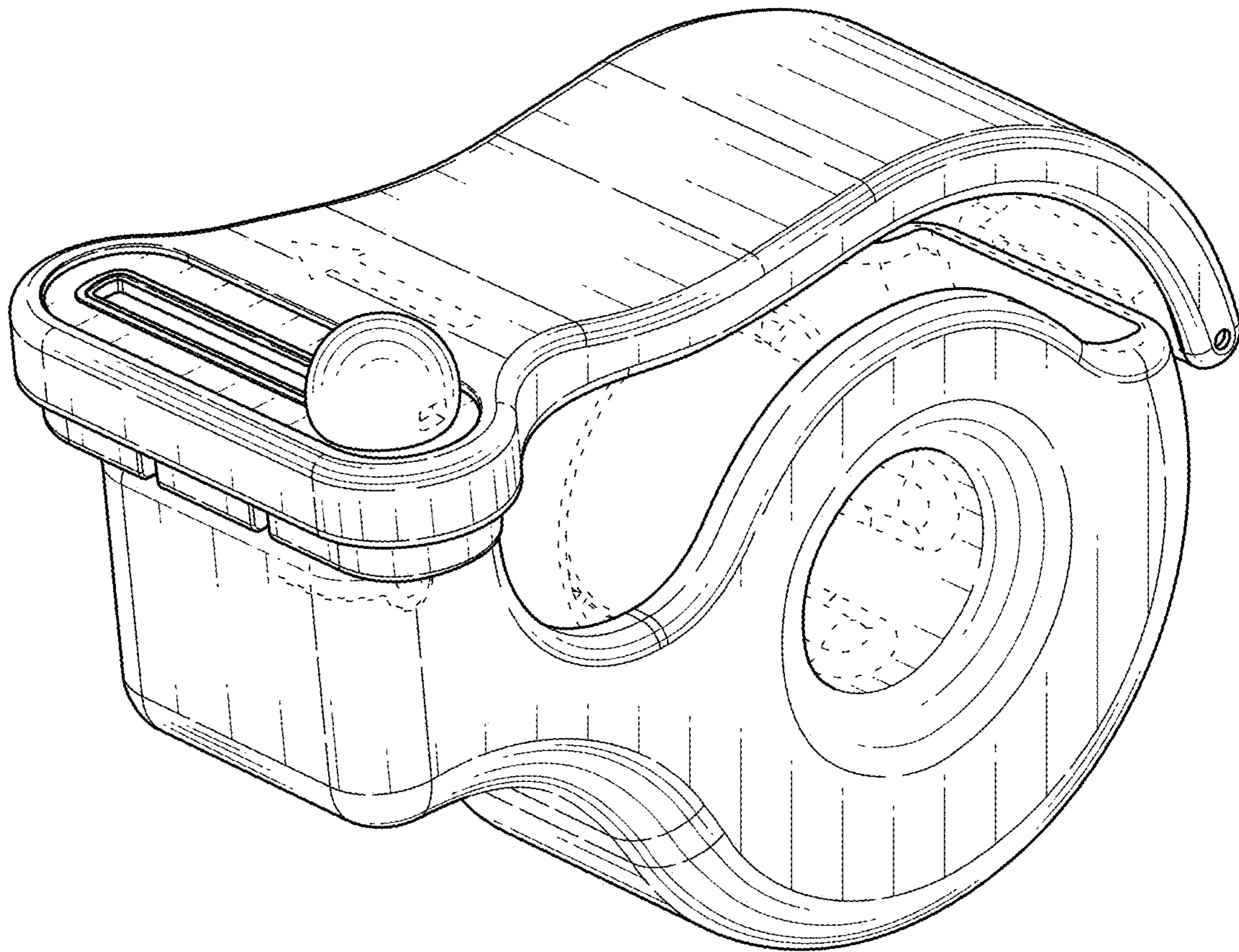


FIG. 1

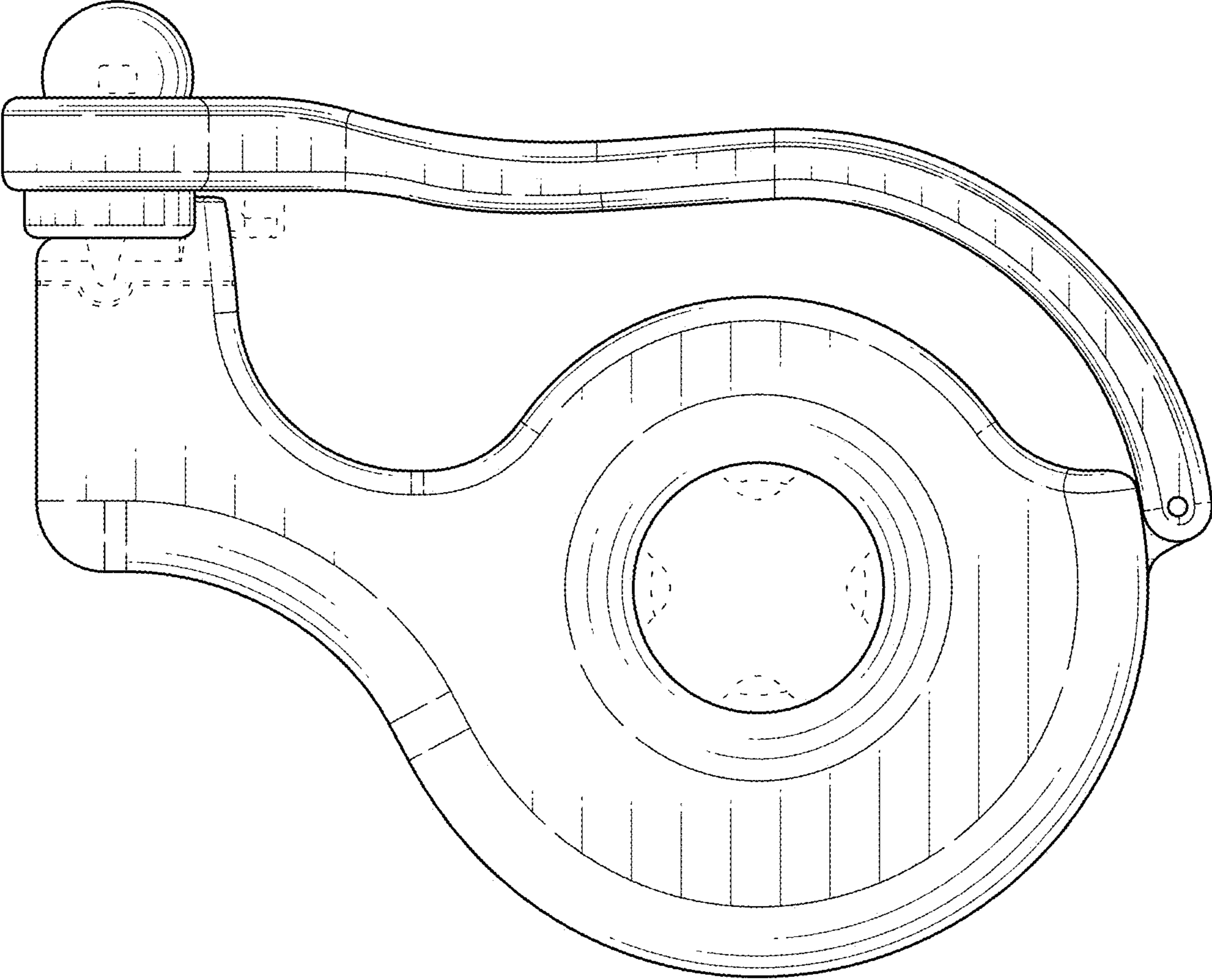


FIG. 2

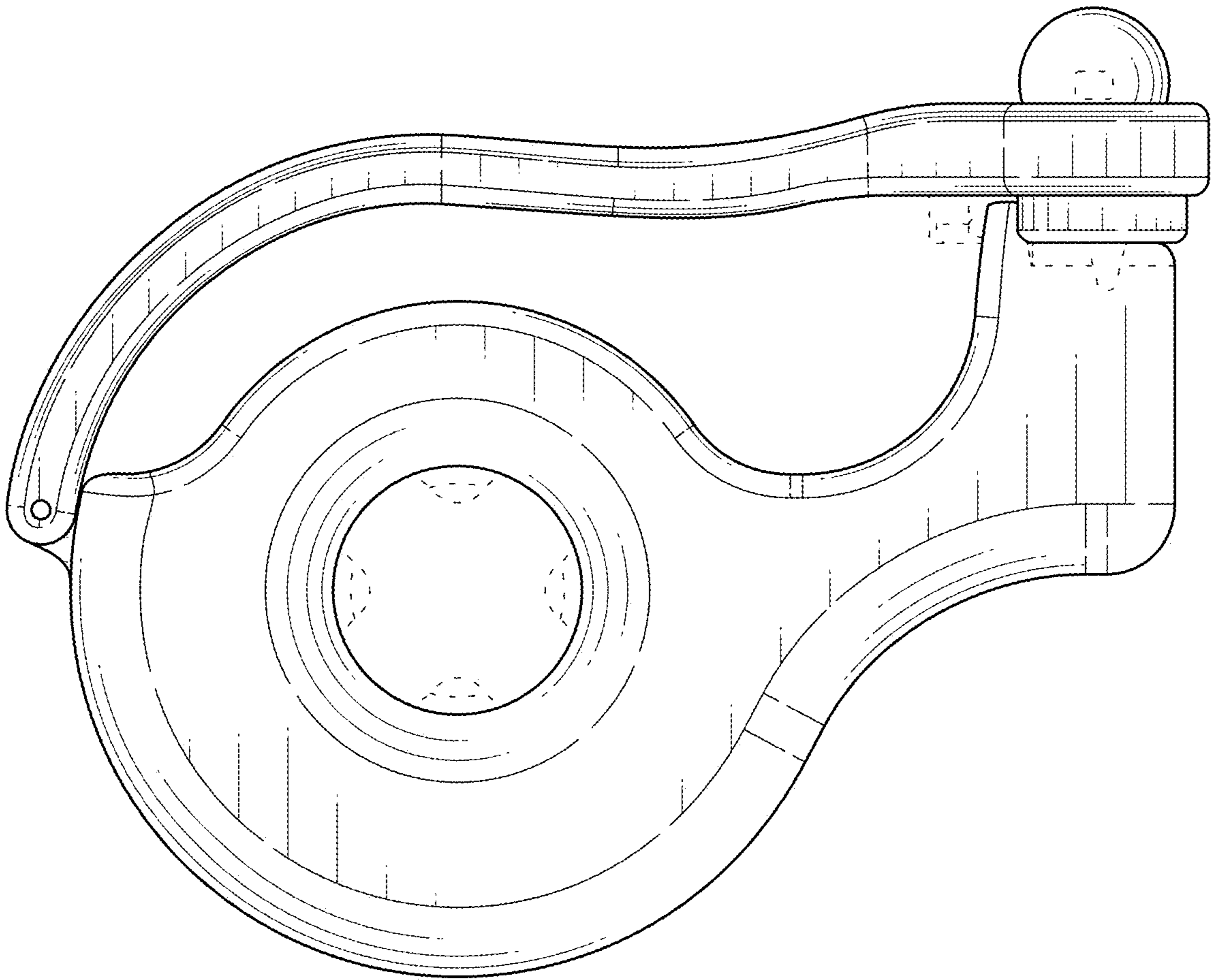


FIG. 3

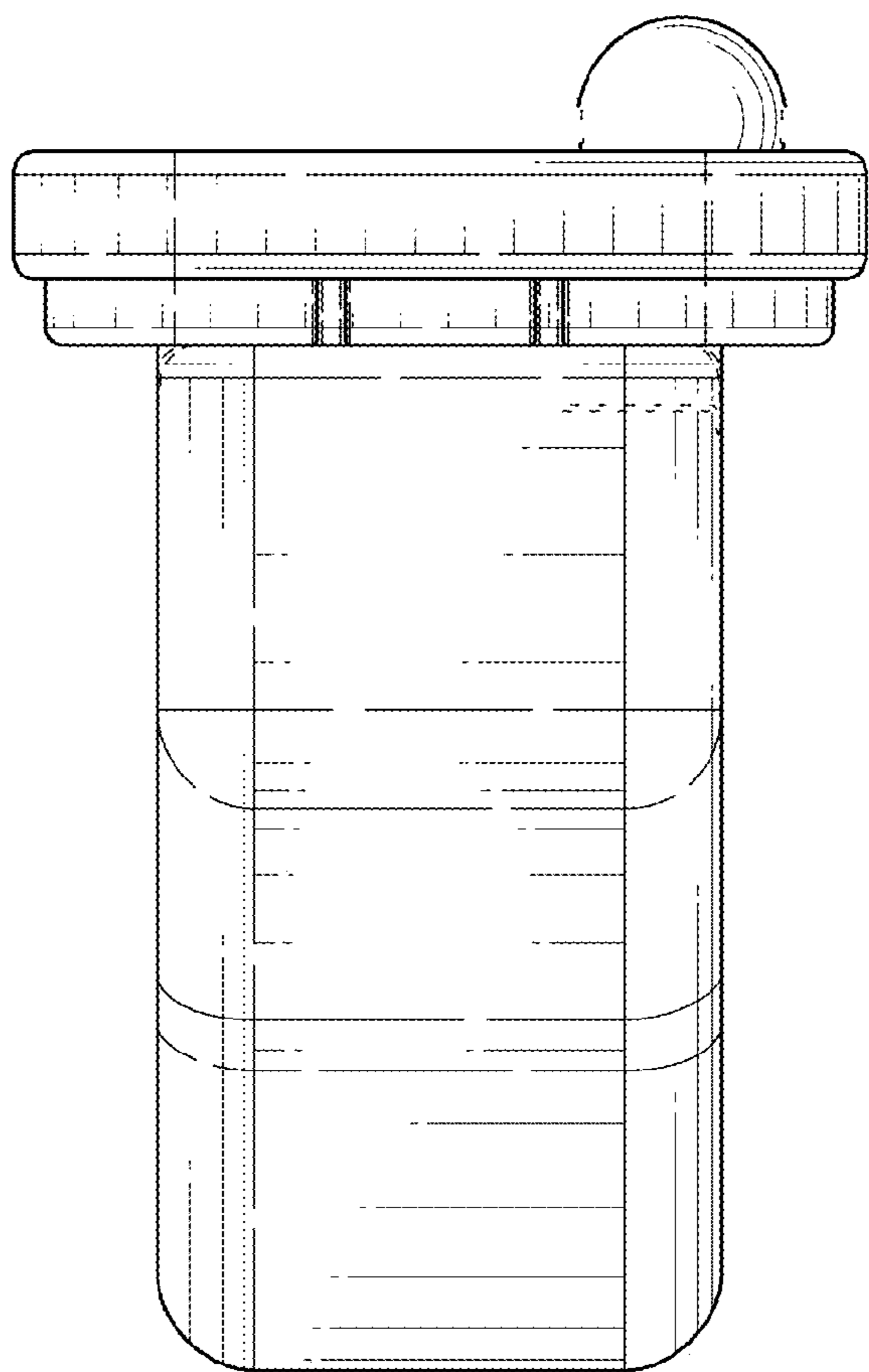


FIG. 4

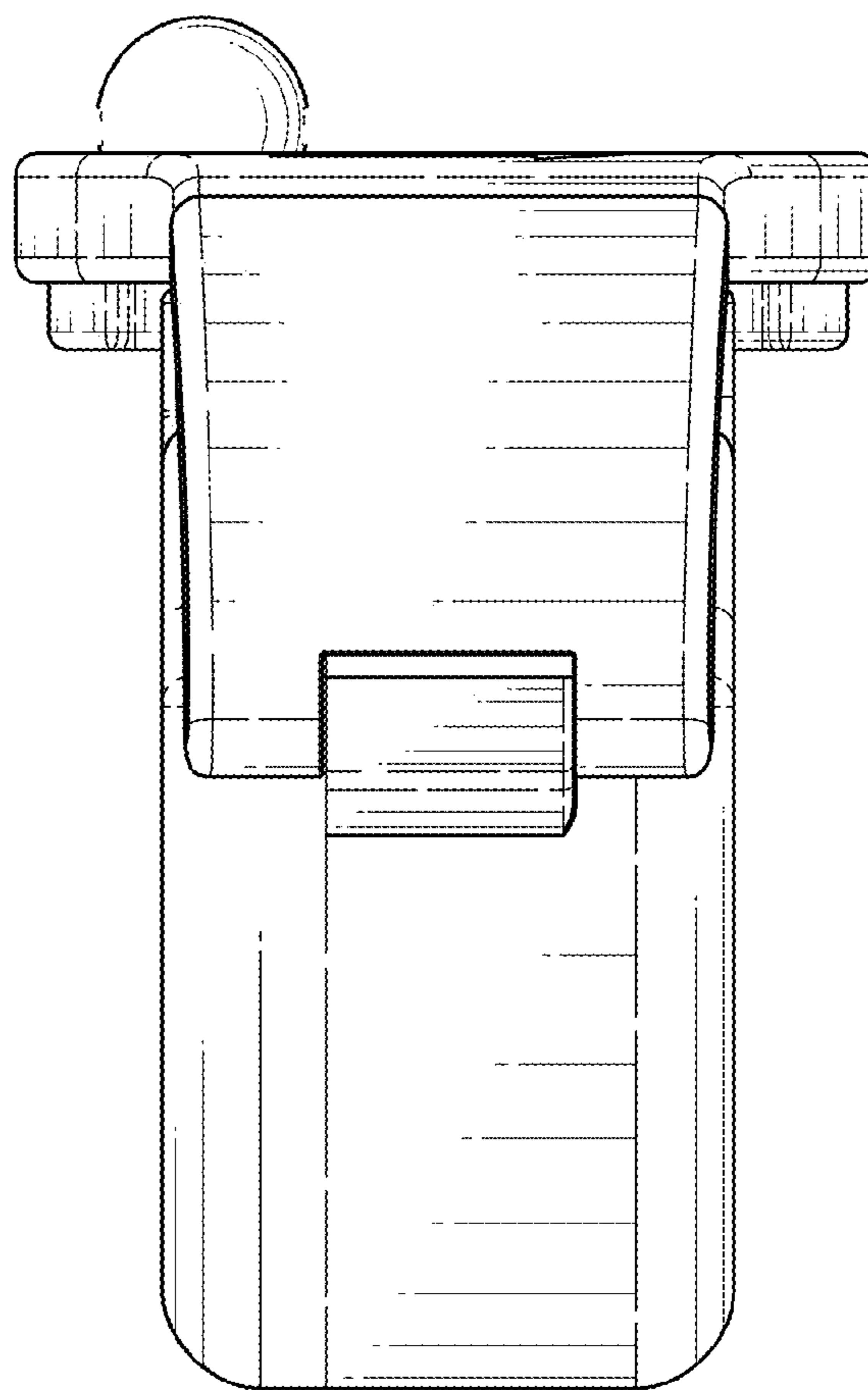


FIG. 5

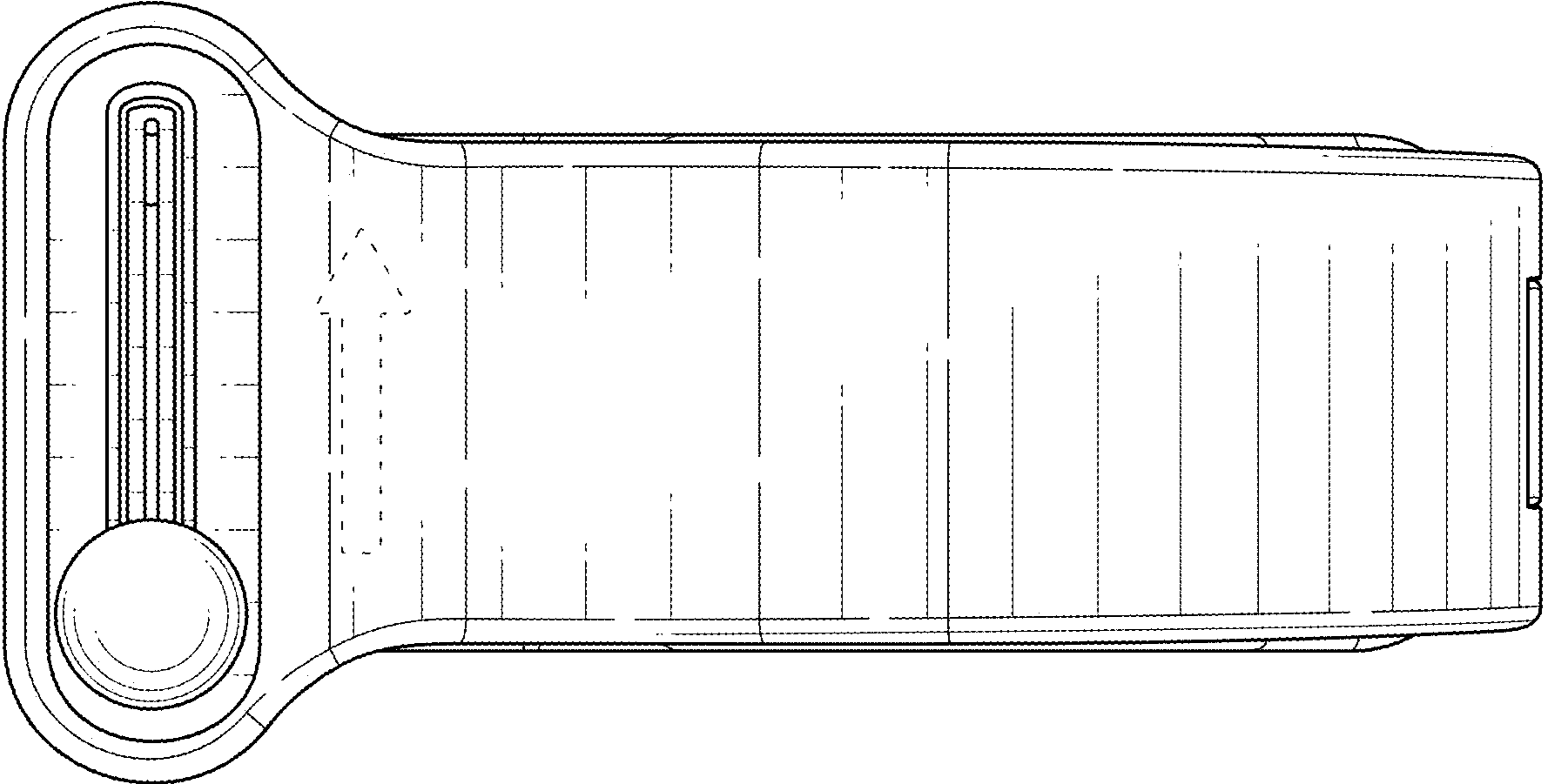


FIG. 6

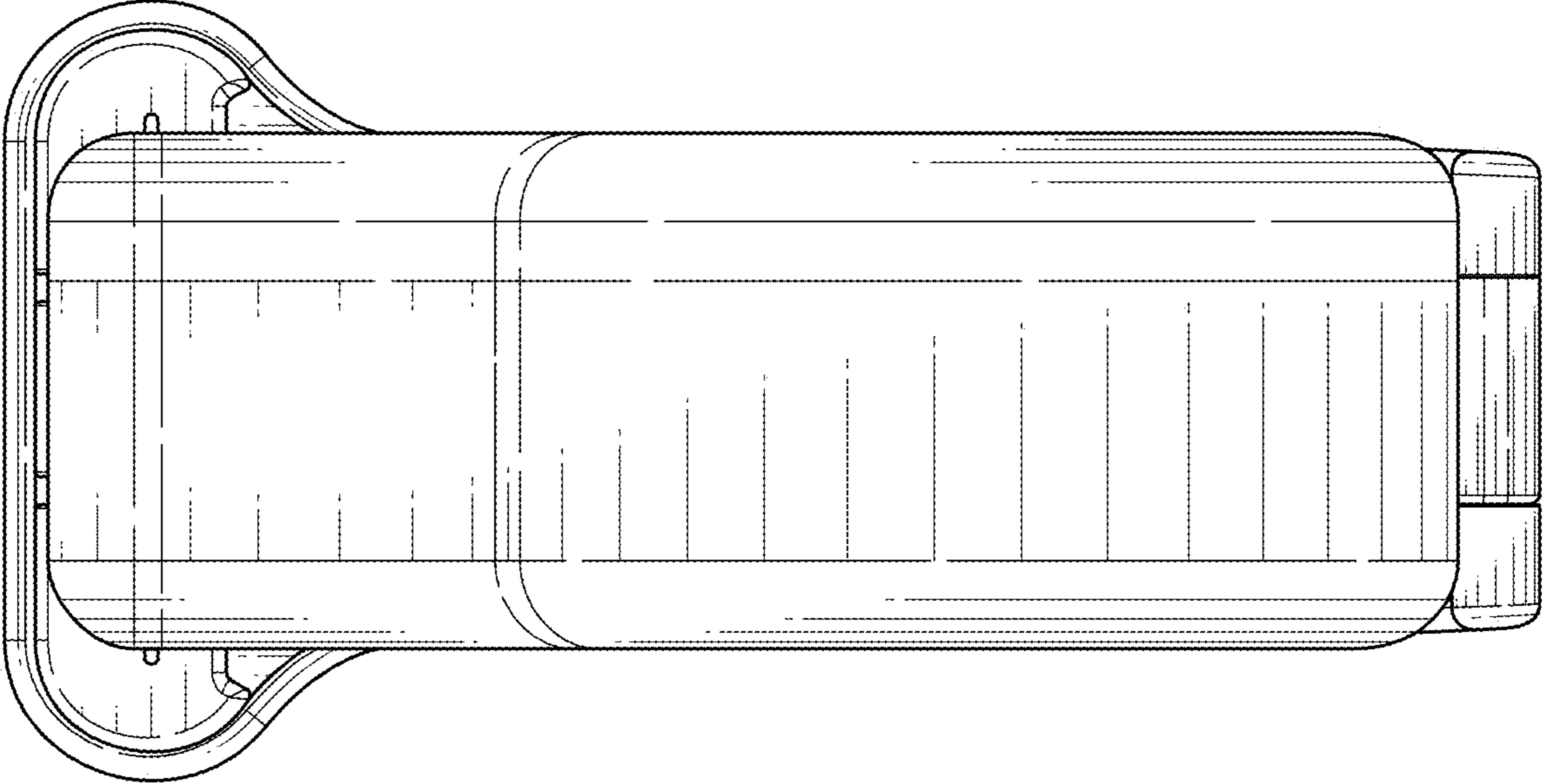


FIG. 7

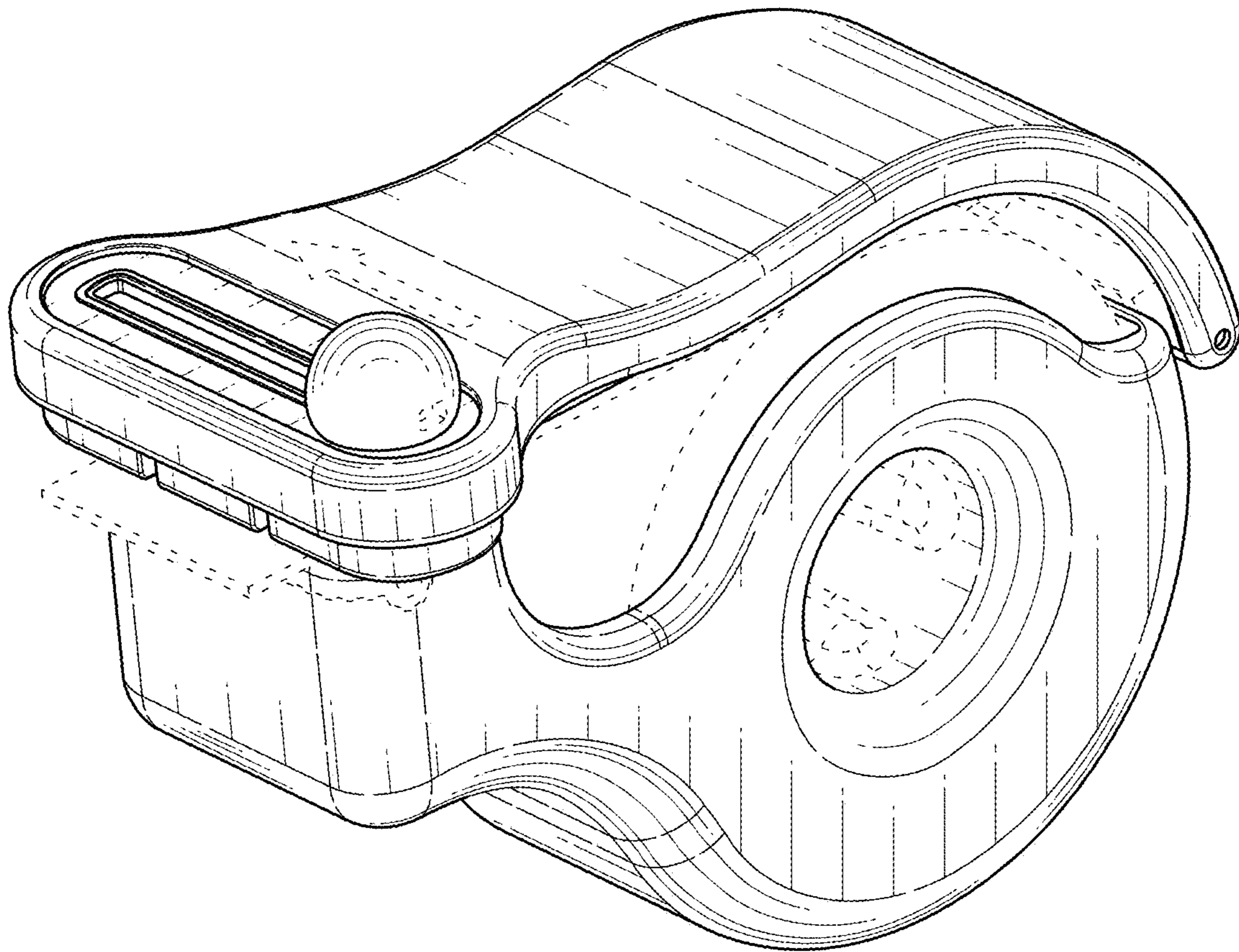


FIG. 8