



US00D919001S

(12) **United States Design Patent**
Song

(10) **Patent No.:** **US D919,001 S**

(45) **Date of Patent:** **** May 11, 2021**

(54) **DEVICE FOR ENABLING THE REFILLING OF MULTIPLE FLUID STORAGE CONTAINERS**

(71) Applicant: **GUANGZHOU MENGSHENG ELECTRONIC TECHNOLOGY COMPANY, Cuangzhou (CN)**

(72) Inventor: **Cheng Song, Guangzhou (CN)**

(73) Assignee: **GUANGZHOU MENG SHENG ELECTRONIC TECHNOLOGY COMPANY, Guangzhou (CN)**

(**) Term: **15 Years**

(21) Appl. No.: **29/734,949**

(22) Filed: **May 16, 2020**

(51) **LOC (13) Cl.** **18-02**

(52) **U.S. Cl.**
USPC **D18/56; D18/50; D23/259**

(58) **Field of Classification Search**
USPC D18/12, 40, 43, 50, 56, 99; 347/84-90, 347/96; 141/18, 311 R, 369, 375-376, 141/383, 391-392; D23/259
CPC B41J 17/32; B41J 33/17503; B41J 2002/14467
See application file for complete search history.

(56) **References Cited**

U.S. PATENT DOCUMENTS

5,495,877	A *	3/1996	Schwenk	B41J 2/17513
					141/18
5,619,237	A *	4/1997	Inoue	B41J 2/1755
					347/86
D398,638	S	9/1998	Deutsch		
D501,504	S *	2/2005	Yamada	347/86
D529,953	S	10/2006	Benyou		
D665,841	S *	8/2012	Williamson	D18/56

D680,583	S *	4/2013	Harada	D18/56
D699,785	S *	2/2014	Harvey	D18/56
D767,673	S *	9/2016	Nanjo	D18/56
D780,257	S *	2/2017	Kimura	D18/56
D784,444	S *	4/2017	Kimura	D18/56
D785,087	S *	4/2017	Hayashi	D18/56
D791,868	S *	7/2017	Hayashi	D18/56
D794,708	S *	8/2017	Iinuma	D18/56
D806,165	S *	12/2017	Stamp	D18/56
D829,816	S	10/2018	Takahashi et al.		
D831,739	S	10/2018	Iinuma et al.		
D833,522	S	11/2018	Takahashi et al.		
D833,523	S	11/2018	Takahashi et al.		
D842,926	S	3/2019	Takagiwa		
D842,927	S	3/2019	Takahashi		
D843,445	S	3/2019	Takahashi		

(Continued)

Primary Examiner — Amy C Wierenga

(74) *Attorney, Agent, or Firm* — Law Offices of Steven W. Weinrieb

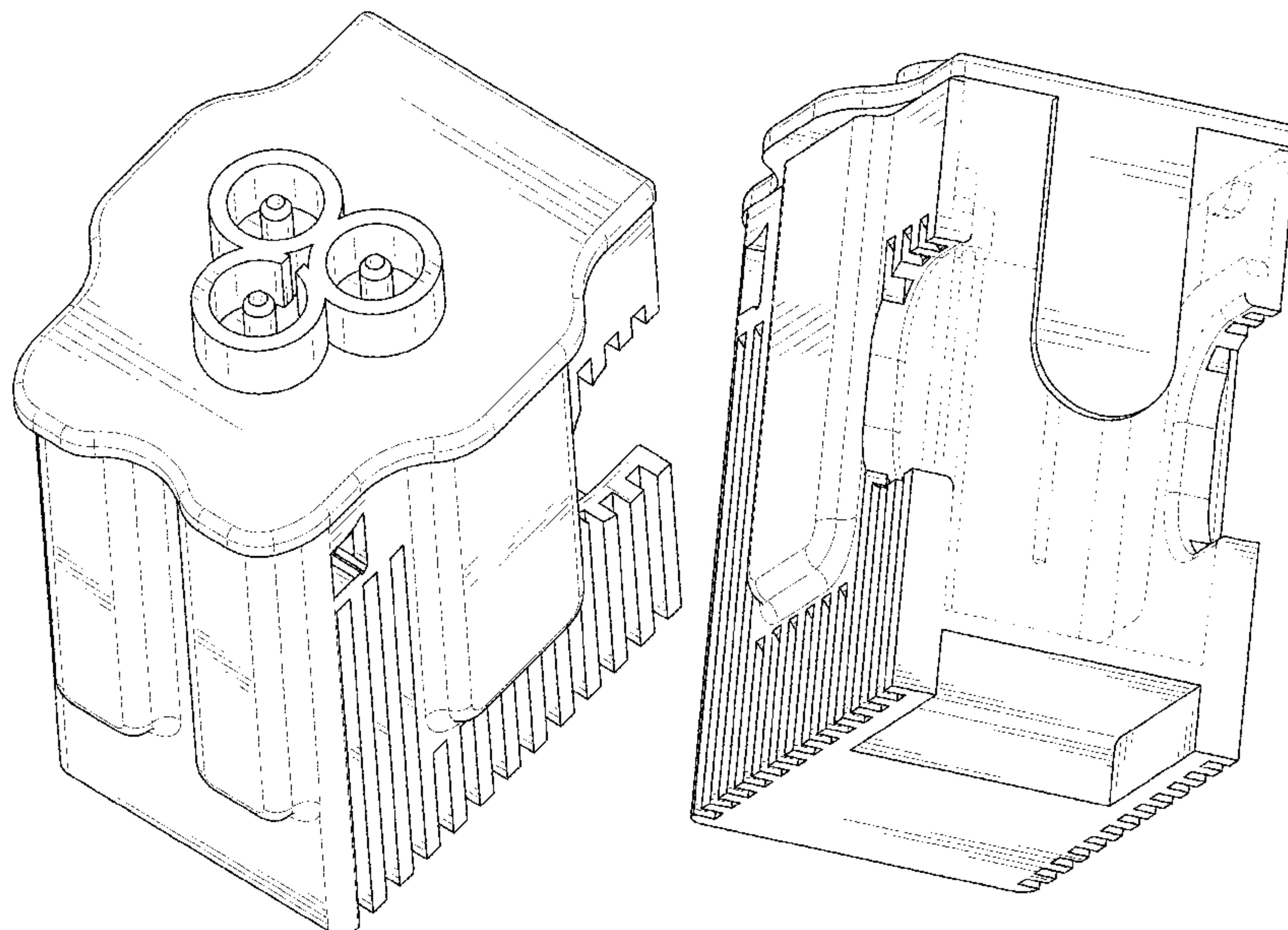
(57) **CLAIM**

The ornamental design for a device for enabling the refilling of multiple fluid storage containers, as shown and described.

DESCRIPTION

FIG. 1 is a front, right side, top perspective view of a device for enabling the refilling of multiple fluid storage containers showing my new design; FIG. 2 is a rear, right side, bottom perspective view thereof; FIG. 3 is a front elevational view thereof; FIG. 4 is a rear elevational view thereof; FIG. 5 is a left side elevational view thereof; FIG. 6 is a right side elevational view thereof; FIG. 7 is a top plan view thereof; and, FIG. 8 is a bottom plan view thereof. The broken lines depict portions of the device for enabling the refilling of multiple fluid storage containers that form no part of the claimed design.

1 Claim, 8 Drawing Sheets



(56)

References Cited

U.S. PATENT DOCUMENTS

D847,255 S	4/2019	Takahashi et al.
D865,054 S	10/2019	Takahashi et al.
D875,173 S	2/2020	Naito et al.
D875,828 S	2/2020	Harvey et al.

* cited by examiner

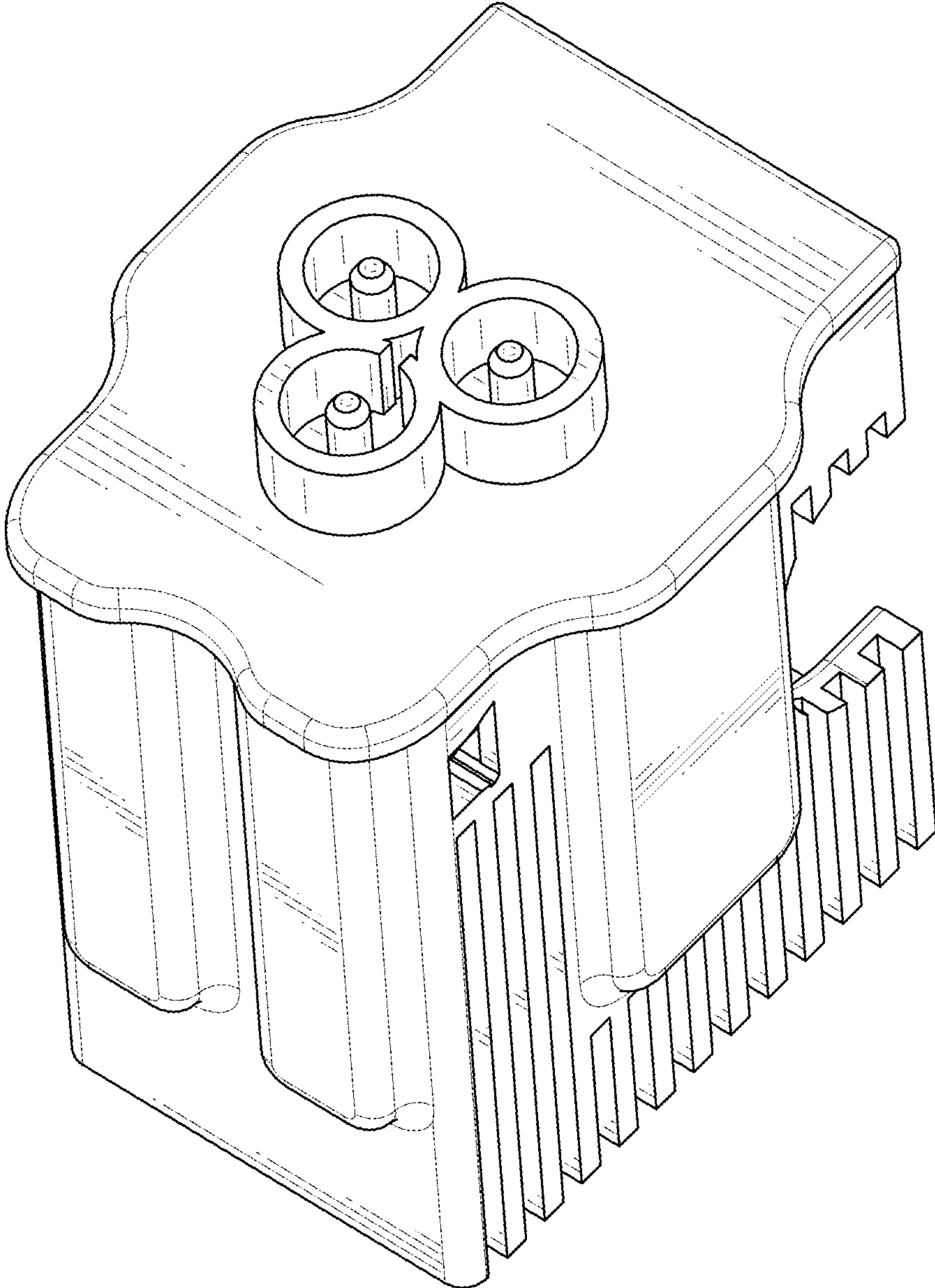


FIG.1

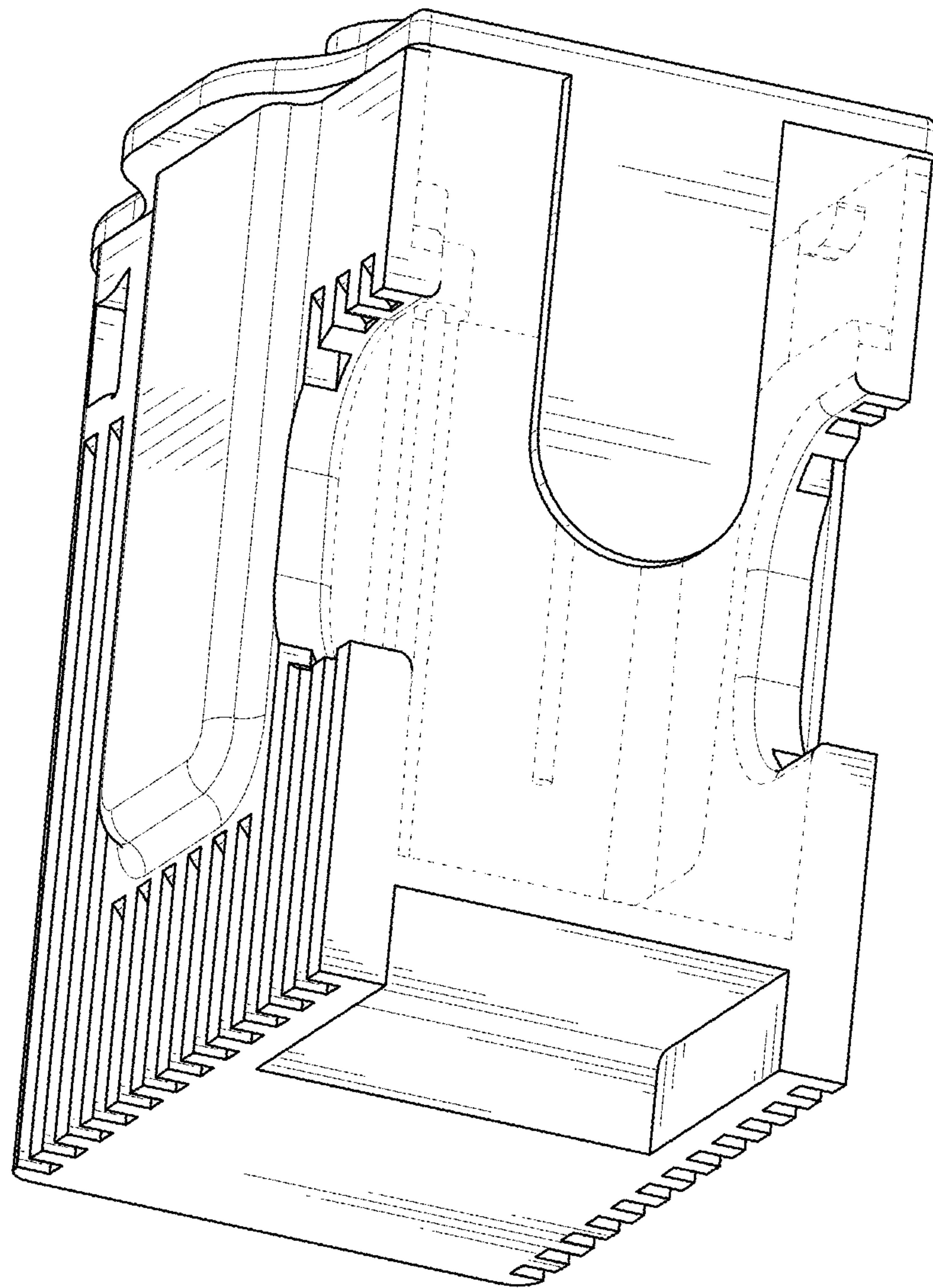


FIG.2

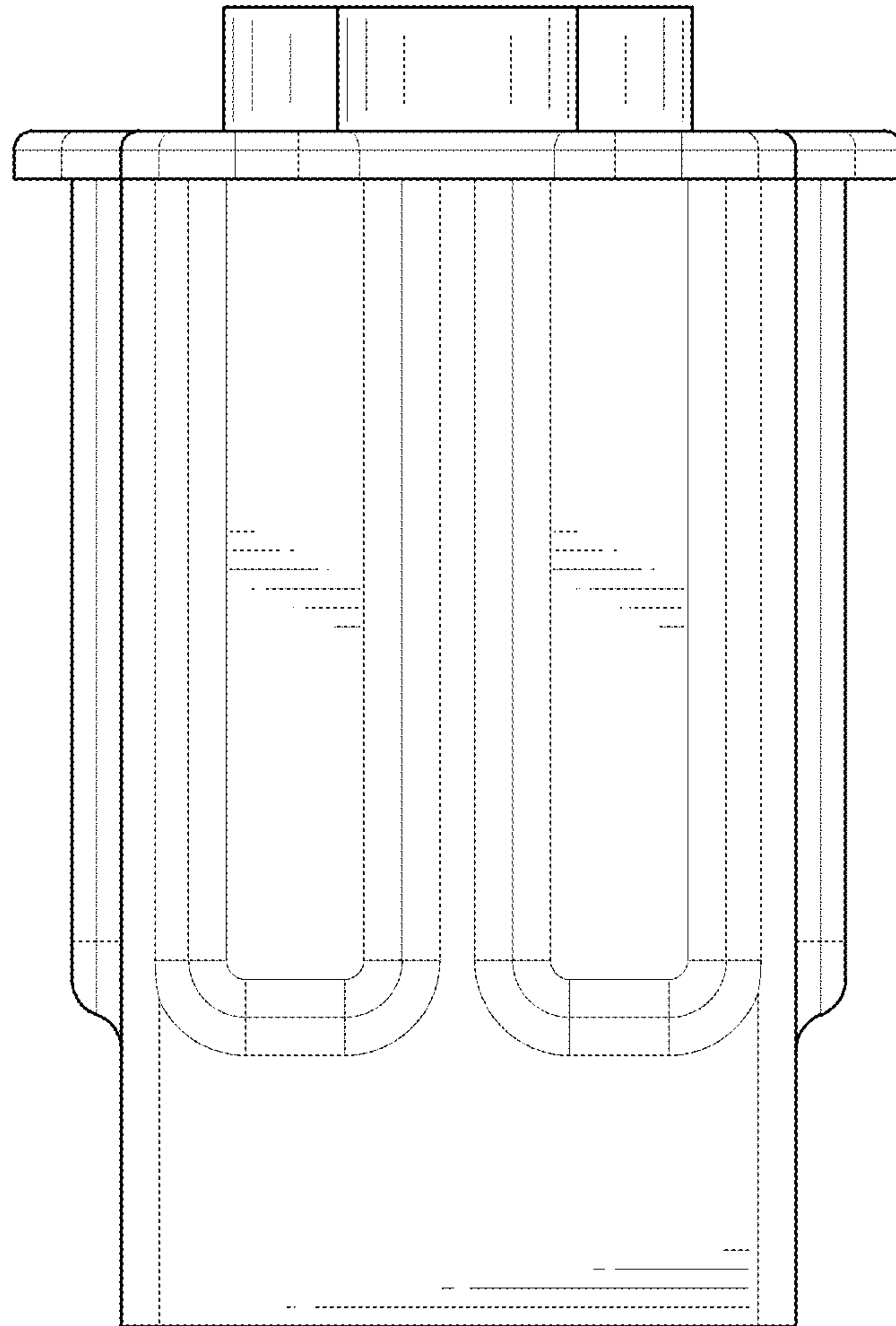


FIG.3

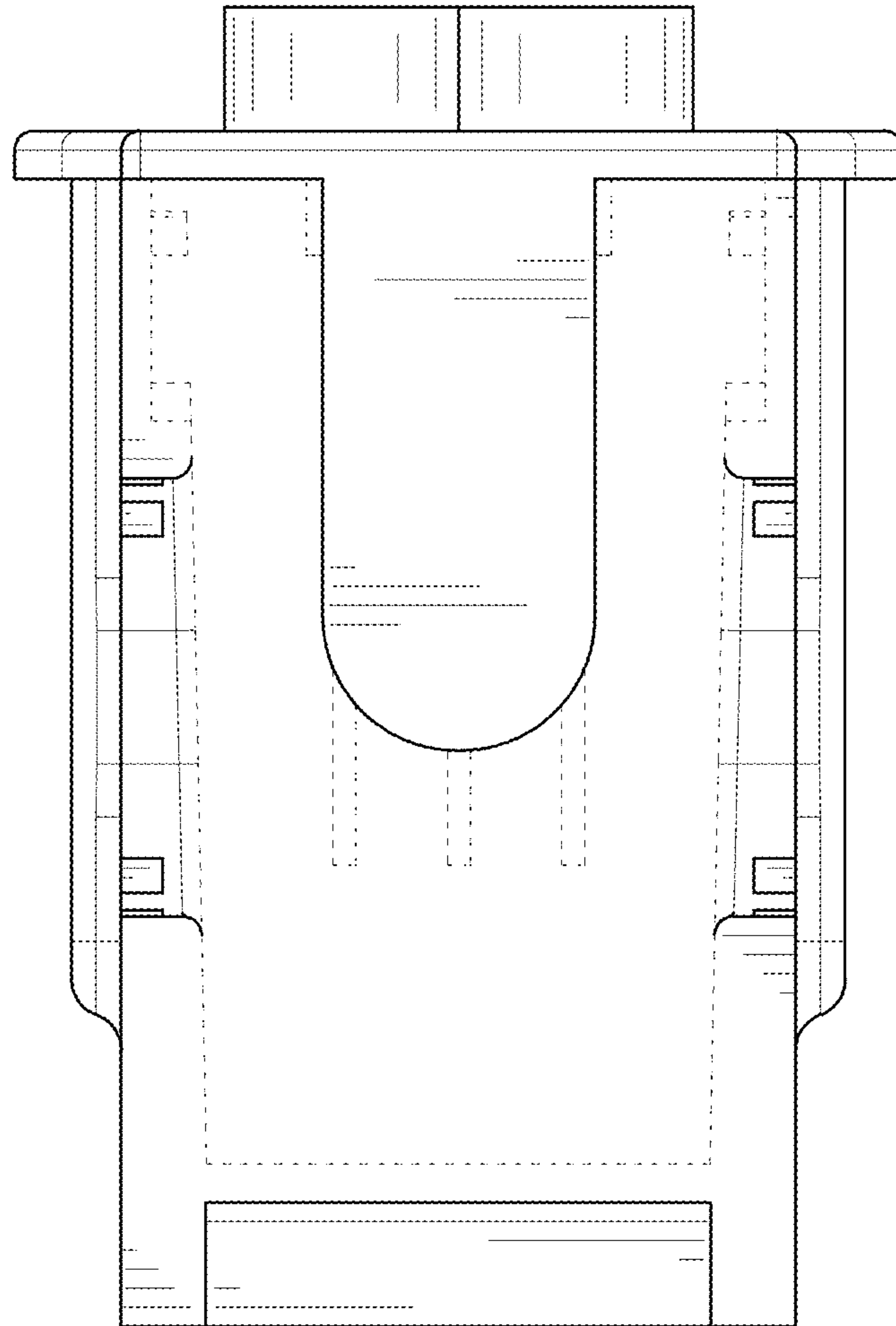


FIG.4

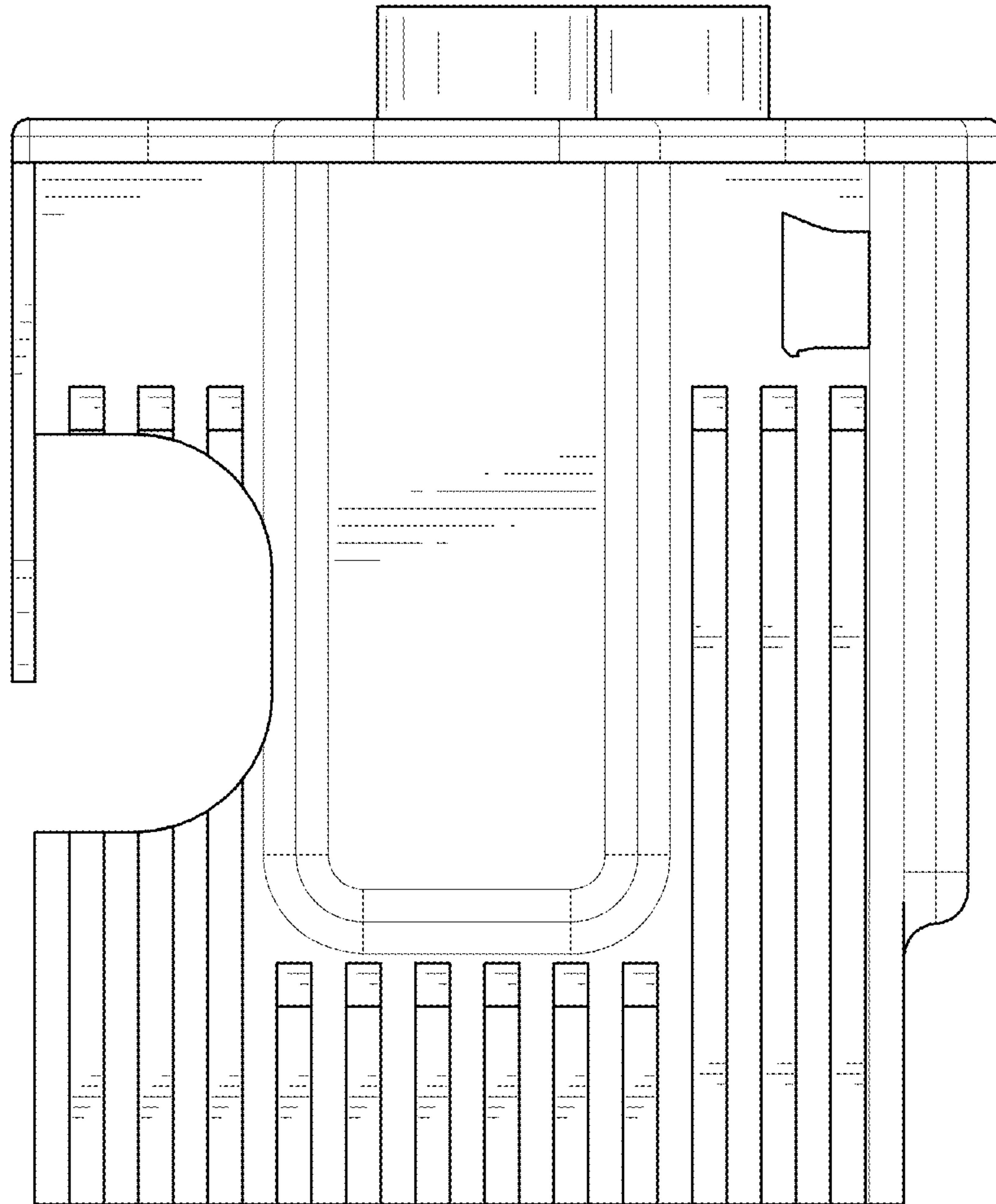


FIG.5

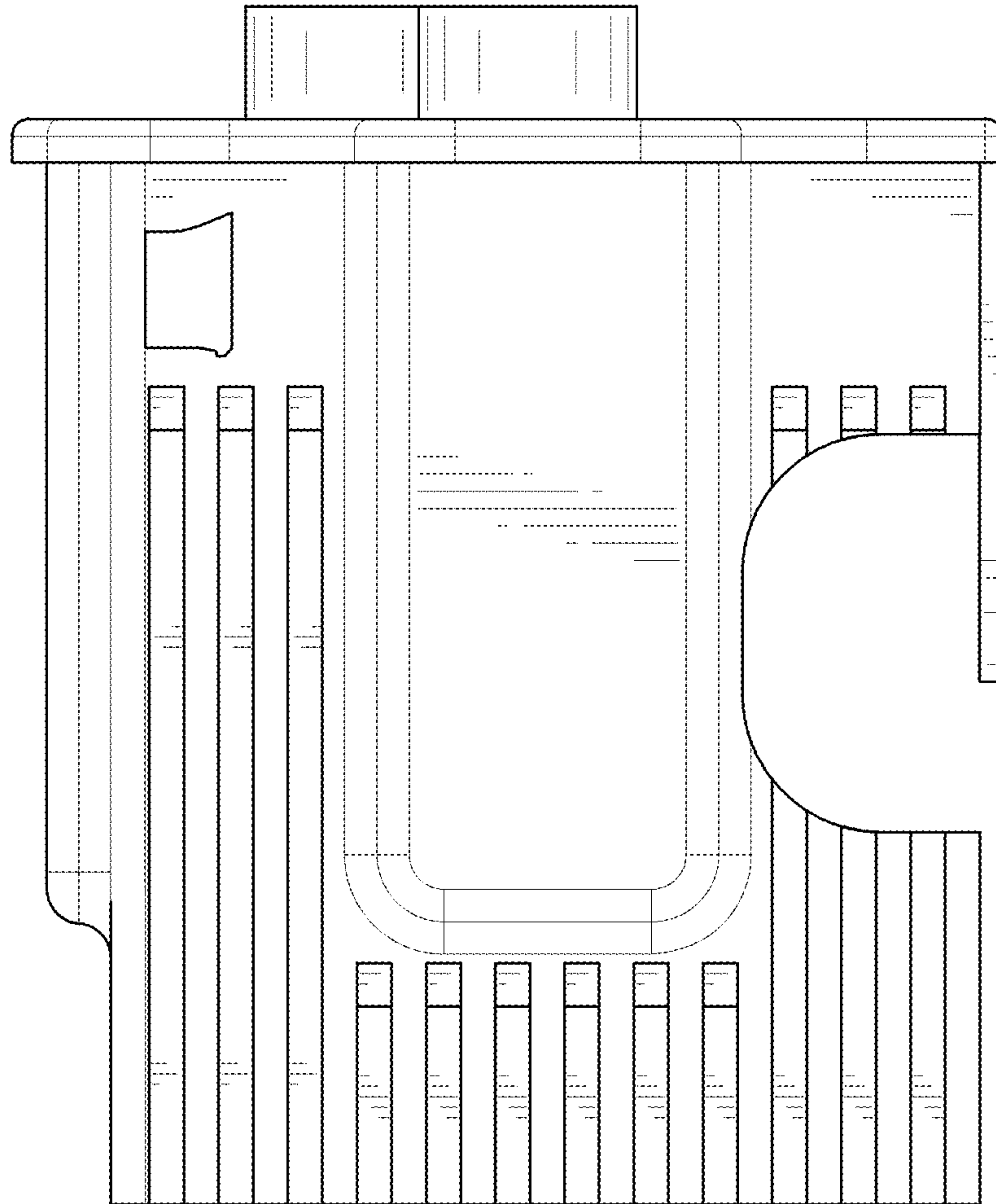


FIG.6

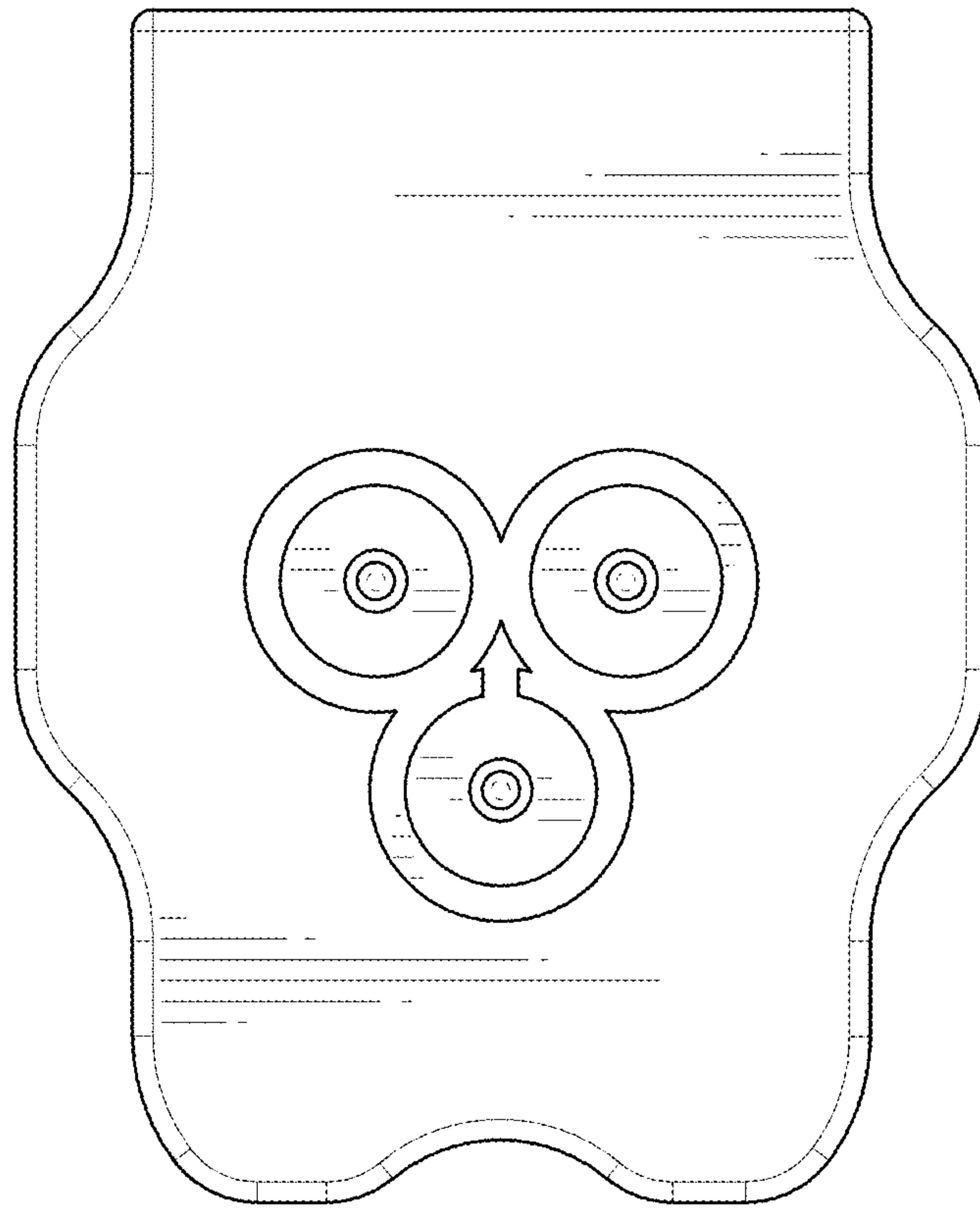


FIG. 7

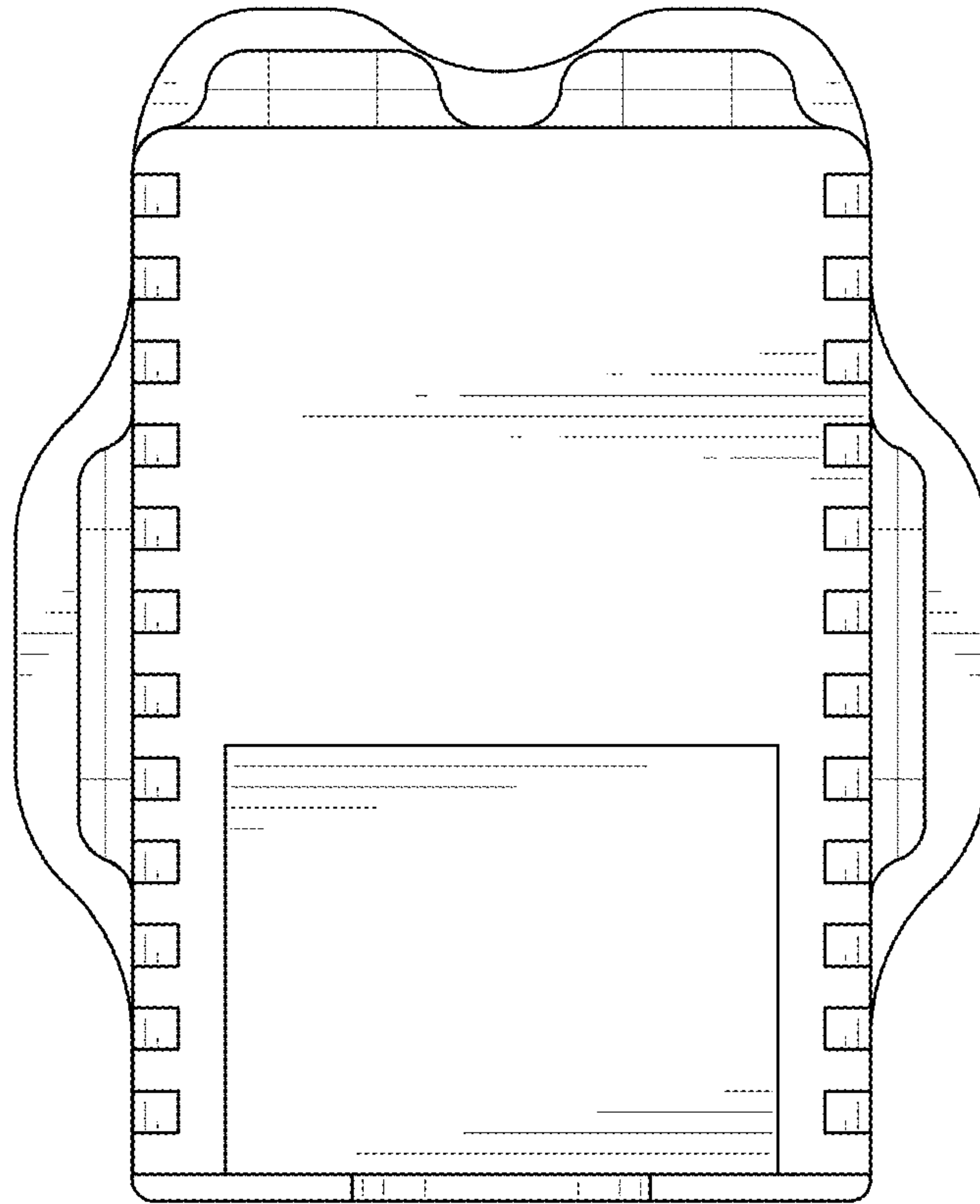


FIG. 8