



US00D919000S

(12) **United States Design Patent** (10) **Patent No.:** **US D919,000 S**
Esterberg (45) **Date of Patent:** **** May 11, 2021**

(54) **PEN FOR A PRINTER**
(71) Applicant: **Hewlett-Packard Development Company, L.P.**, Houston, TX (US)
(72) Inventor: **Dennis R. Esterberg**, Corvallis, OR (US)
(73) Assignee: **Hewlett-Packard Development Company, L.P.**, Spring, TX (US)

D603,895 S * 11/2009 Hattori D18/56
D627,818 S * 11/2010 Ishizawa 347/86
D648,779 S * 11/2011 Saito D18/43
D677,721 S * 3/2013 Kawate D18/56
D681,728 S * 5/2013 Takagi 347/86
D682,929 S * 5/2013 Aoki D18/56
D692,052 S * 10/2013 Ishizawa D18/56
D741,403 S * 10/2015 O'Reilly D18/56

(Continued)

(**) Term: **15 Years**
(21) Appl. No.: **29/673,645**
(22) Filed: **Dec. 17, 2018**

OTHER PUBLICATIONS

United States Patent and Trademark Office, "Restriction Requirement", issued in connection with U.S. Appl. No. 29/555,765, dated Jun. 28, 2017, 7 pages.

(Continued)

Primary Examiner — Brett Miller
Assistant Examiner — Suzanne E Tisdell

(74) *Attorney, Agent, or Firm* — Hanley Flight & Zimmerman LLC

Related U.S. Application Data

(62) Division of application No. 29/555,765, filed on Feb. 24, 2016, now Pat. No. Des. 841,086.

(51) **LOC (13) Cl.** **18-02**
(52) **U.S. Cl.**
USPC **D18/56**

(58) **Field of Classification Search**
USPC D18/12, 40, 43, 44, 56
CPC ... B41J 17/32; B41J 33/16; B41J 3/407; B41J 15/16; B41J 15/044; G11B 23/08
See application file for complete search history.

(57) **CLAIM**

The ornamental design for a "pen for a printer", as shown and described.

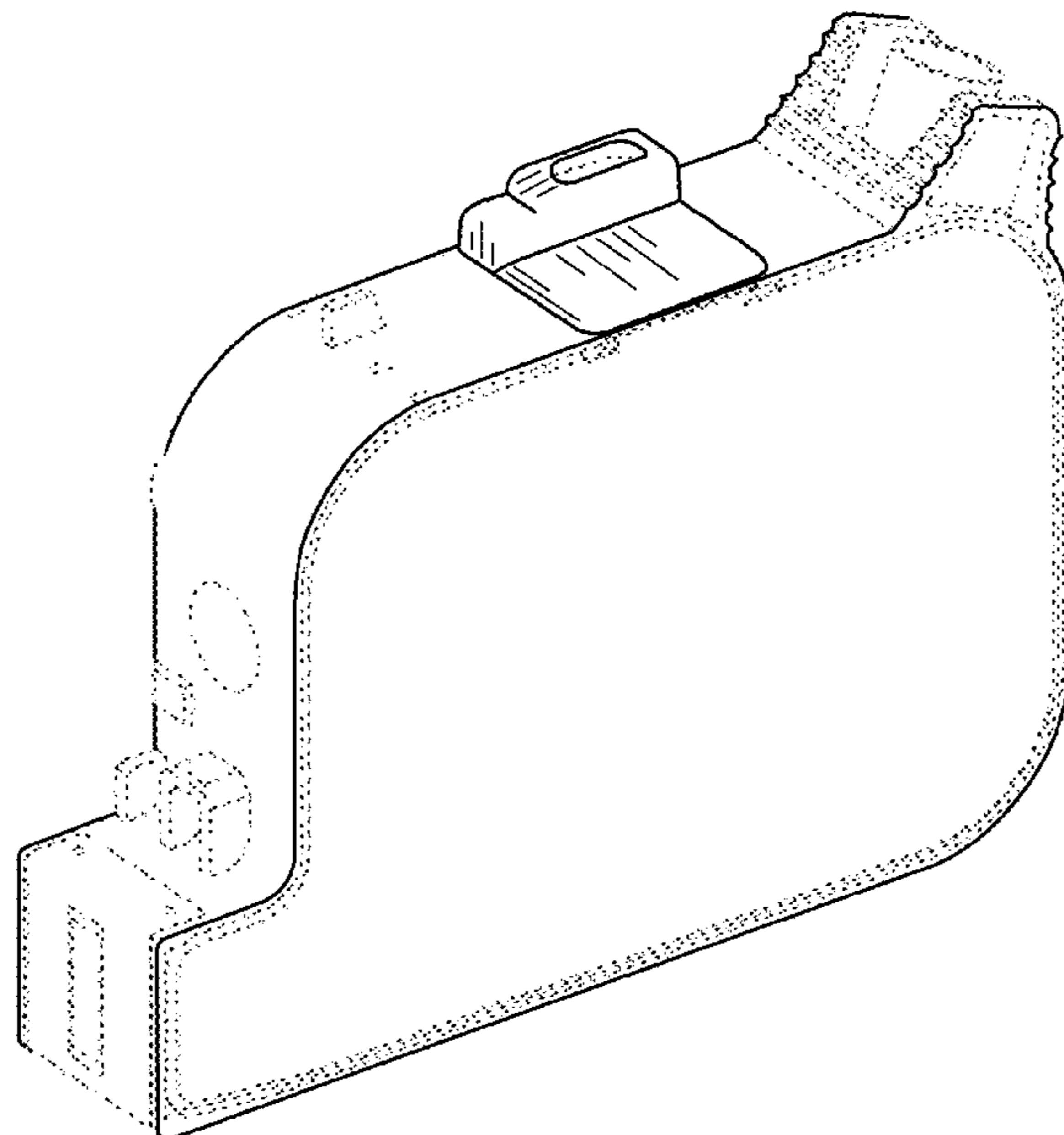
DESCRIPTION

FIG. 1 is a front, right perspective view of a pen for a printer. FIG. 2 is a right side view of the pen for a printer of FIG. 1. FIG. 3 is a left side view of the pen for a printer of FIG. 1. FIG. 4 is a rear view of the pen for a printer of FIG. 1. FIG. 5 is a front view of the pen for a printer of FIG. 1. FIG. 6 is a top view of the pen for a printer of FIG. 1; and, FIG. 7 is a bottom view of the pen for a printer of FIG. 1. The broken lines in the drawings illustrating portions of the pen for a printer and surfaces next to the broken lines form no part of the claimed design.

(56) **References Cited**
U.S. PATENT DOCUMENTS

D501,504 S * 2/2005 Yamada 347/86
D509,531 S * 9/2005 Geserich D18/12
D530,365 S * 10/2006 Wakayama D18/56
D538,335 S * 3/2007 Chang D18/56
D549,280 S * 8/2007 Morino 347/86
D570,905 S * 6/2008 Yuen 347/86
D597,595 S * 8/2009 Nip D18/56
D602,076 S * 10/2009 Saikawa D18/56

1 Claim, 5 Drawing Sheets



(56)

References Cited

U.S. PATENT DOCUMENTS

| | | | | | |
|--------------|------|--------|--------------|-------|--------------------------|
| D759,154 | S * | 6/2016 | Williamson | | D18/43 |
| D761,353 | S * | 7/2016 | Oya | | D18/56 |
| D762,260 | S * | 7/2016 | Oya | | D18/56 |
| D762,261 | S * | 7/2016 | Takagiwa | | D18/56 |
| D767,672 | S * | 9/2016 | Nanjo | | D18/56 |
| D767,673 | S * | 9/2016 | Nanjo | | D18/56 |
| D767,674 | S * | 9/2016 | Nanjo | | D18/56 |
| 2007/0212151 | A1 * | 9/2007 | Innocenti | | B41J 3/4075 400/244 |
| 2008/0151425 | A1 * | 6/2008 | Vanderheyden | | G11B 23/08728 360/132 |
| 2008/0213023 | A1 * | 9/2008 | Koizumi | | B41J 17/32 400/208 |

OTHER PUBLICATIONS

United States Patent and Trademark Office, "Non-Final office action", issued in connection with U.S. Appl. No. 29/555,765, dated Dec. 11, 2017, 7 pages.

United States Patent and Trademark Office, "Ex-Parte Quayle", issued in connection with U.S. Appl. No. 29/555,765, dated May 14, 2018, 4 pages.

United States Patent and Trademark Office, "Ex-Parte Quayle", issued in connection with U.S. Appl. No. 29/555,765, dated Jul. 16, 2018, 4 pages.

* cited by examiner

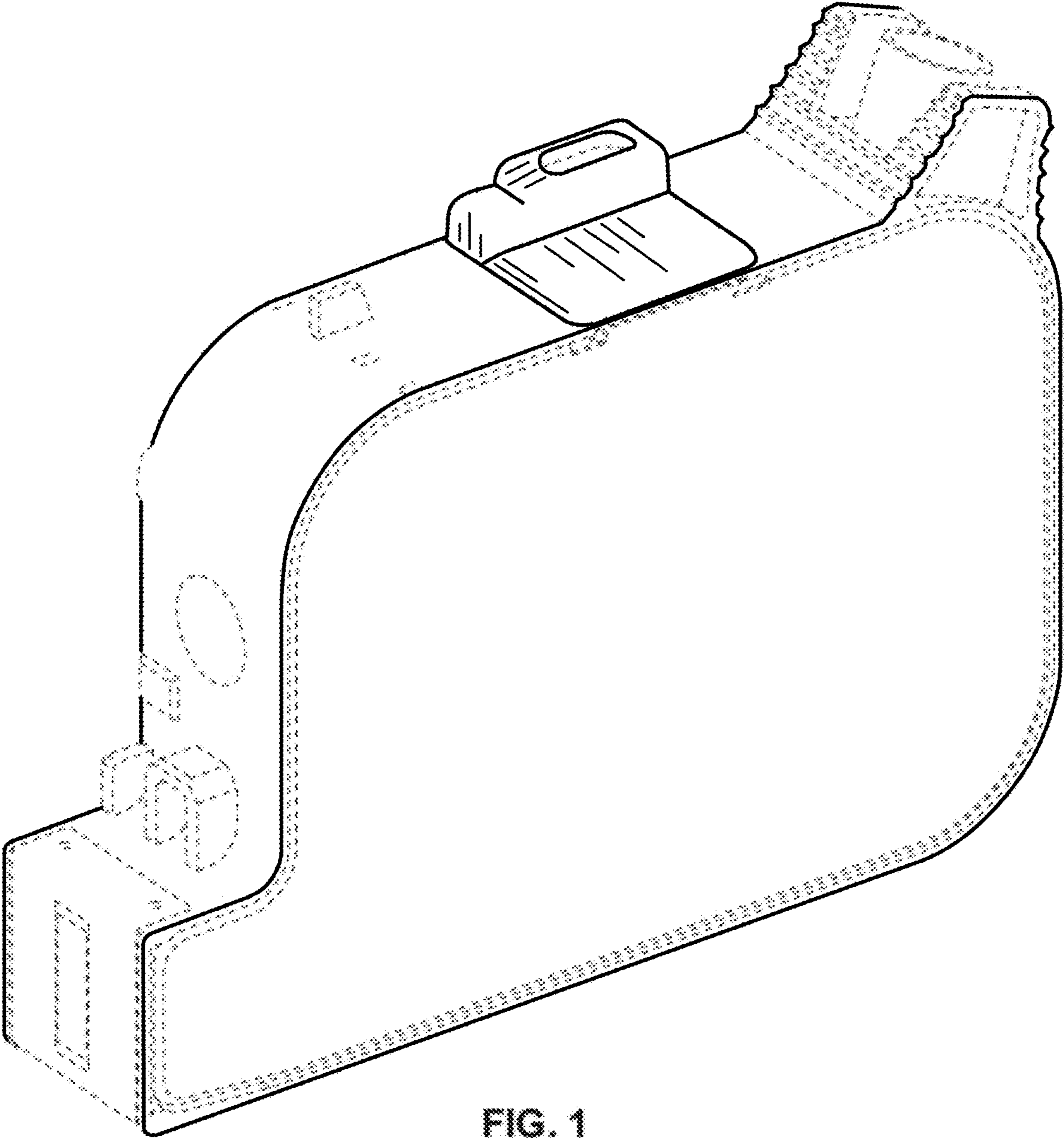


FIG. 1

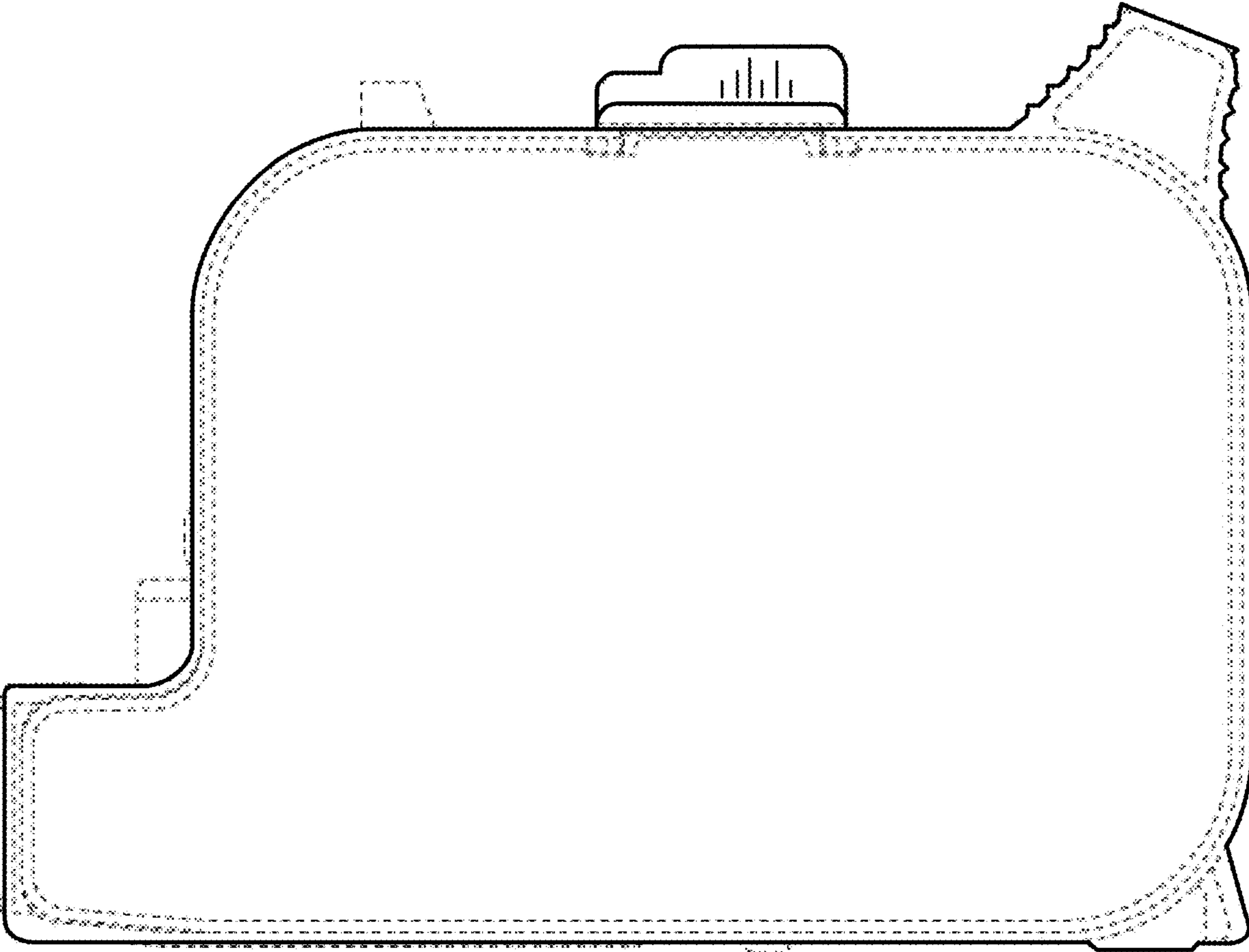


FIG. 2

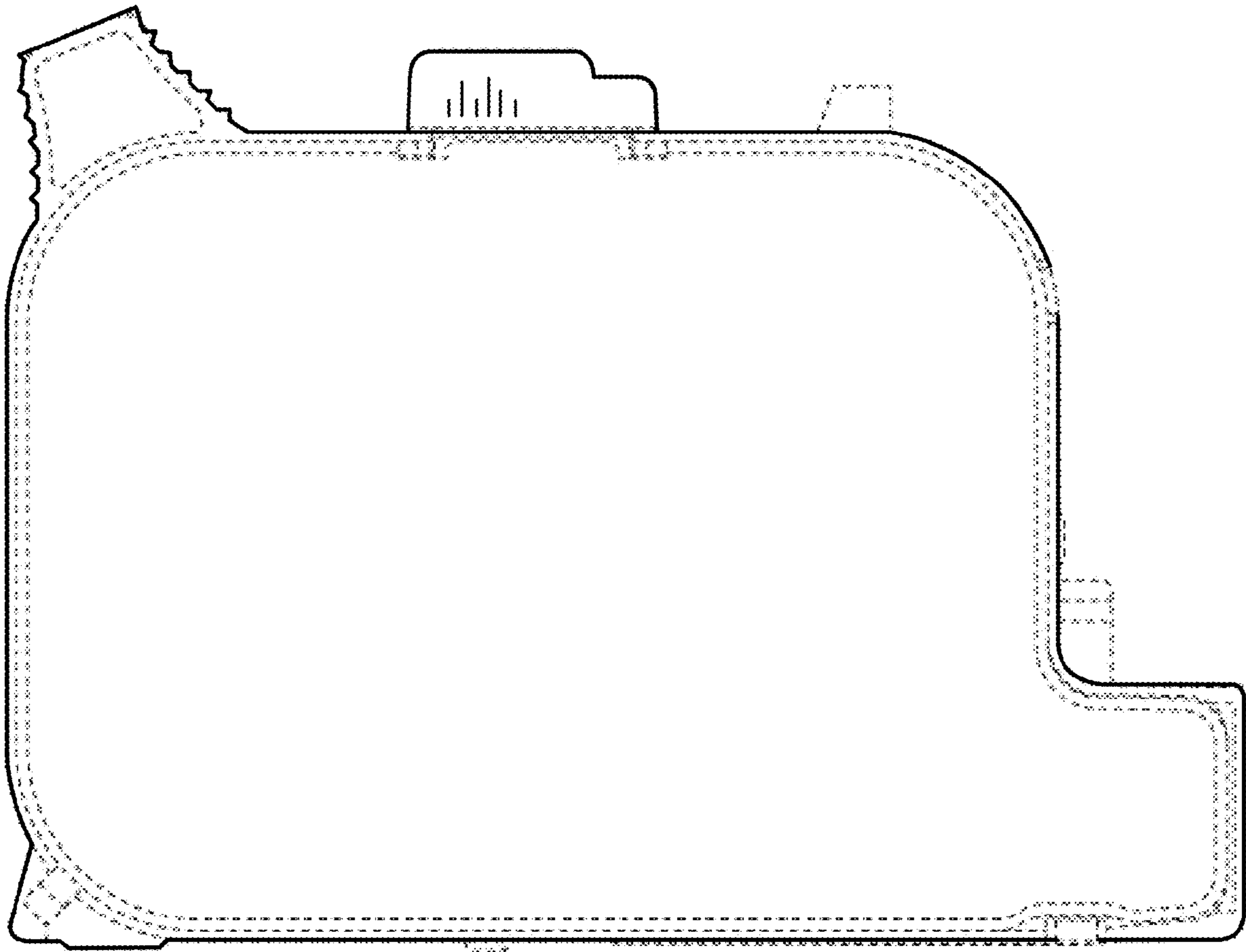


FIG. 3

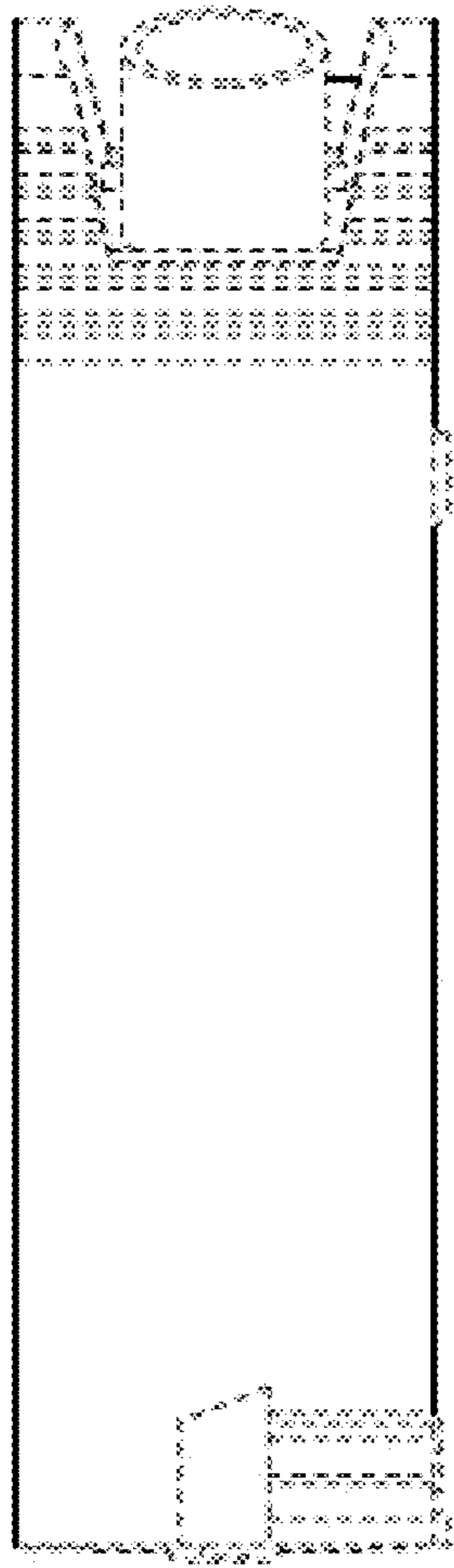


FIG. 4

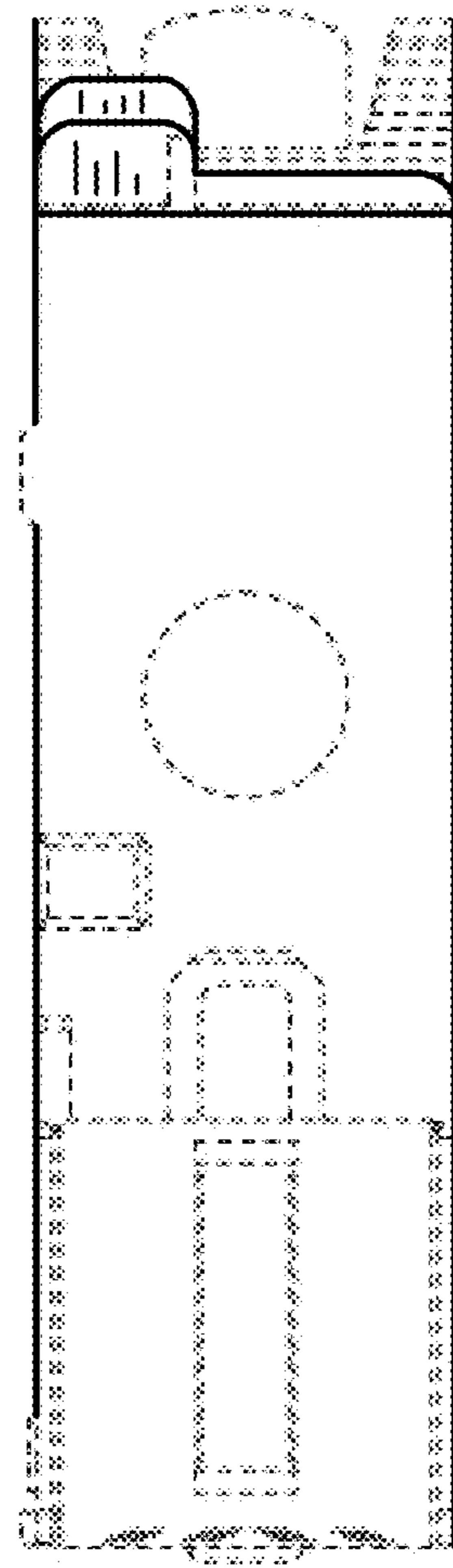


FIG. 5

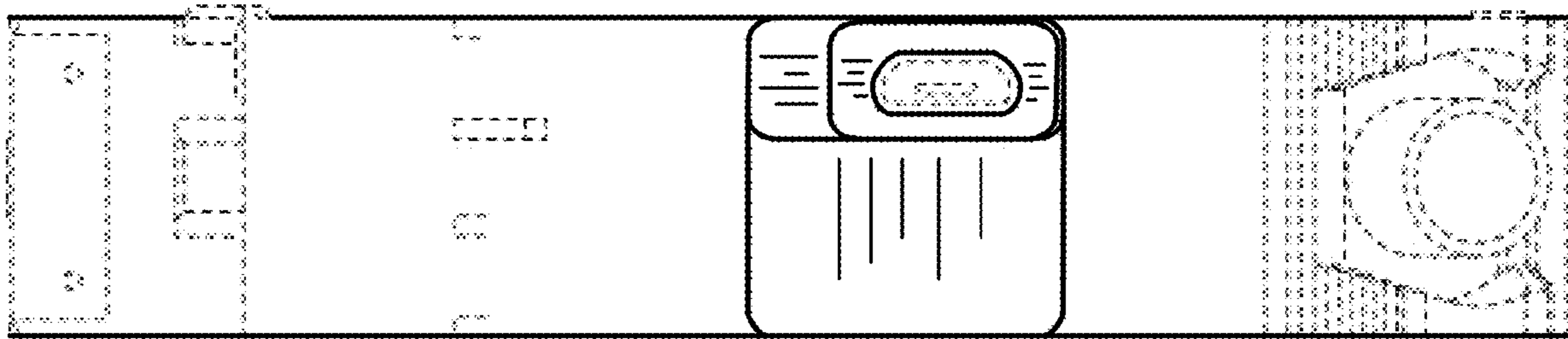


FIG. 6

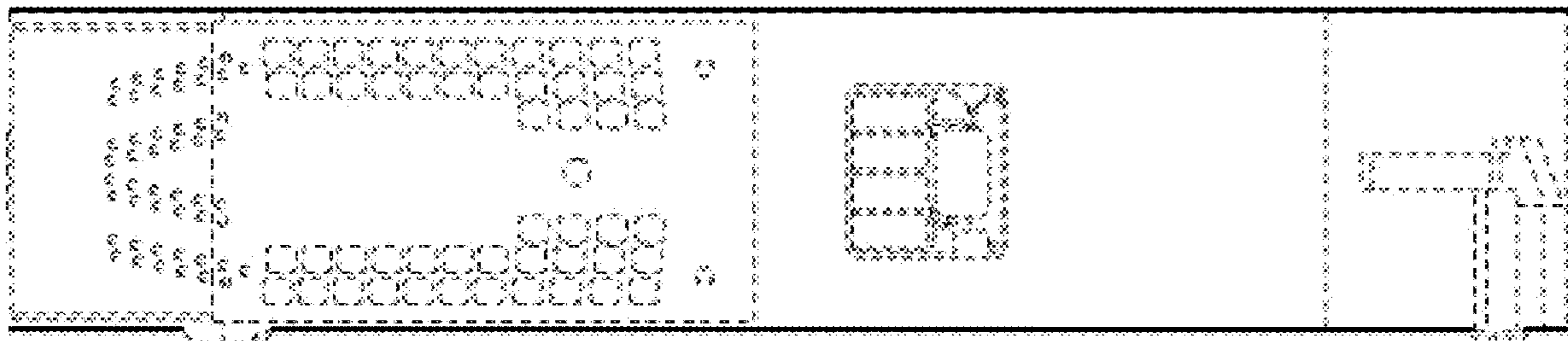


FIG. 7