



US00D918998S

(12) **United States Design Patent**
Zhang

(10) **Patent No.:** **US D918,998 S**

(45) **Date of Patent:** **** May 11, 2021**

(54) **PAYMENT MACHINE**

(71) Applicant: **ADVANCED NEW TECHNOLOGIES CO., LTD.**, Grand Cayman (KY)

(72) Inventor: **Zhenwei Zhang**, Hangzhou (CN)

(73) Assignee: **ADVANCED NEW TECHNOLOGIES CO., LTD.**, Grand Cayman (KY)

(**) Term: **15 Years**

(21) Appl. No.: **29/689,811**

(22) Filed: **May 2, 2019**

(30) **Foreign Application Priority Data**

Nov. 7, 2018 (CN) 201830626841.2

(51) **LOC (13) Cl.** **18-01**

(52) **U.S. Cl.**
USPC **D18/4.6**

(58) **Field of Classification Search**
USPC D18/4.4, 4.5, 4.6, 2, 11, 50, 14, 19-21, D18/54, 54.1, 99; D10/46, 61, 62, 70, D10/104.1, 104.2, 106.2, 106.6, 65, 66; D20/1, 8, 9; D14/496, 299, 338, 339, D14/341, 346, 383, 385, 386, 440, 507, D14/137, 138 R, 138 AA, 138 G, 399, D14/336, 371, 125, 129, 216; D99/28, D99/43

CPC H04W 8/22; H04W 52/0225; H04W 52/0254; G06Q 20/00; G06Q 20/08; G06Q 20/20; G06Q 20/204; G07F 7/0873; G07F 7/088; G07F 7/0886; G07F 7/0893; G07F 7/025

See application file for complete search history.

(56) **References Cited**

U.S. PATENT DOCUMENTS

D357,495 S * 4/1995 Skaggs D14/336
D426,833 S * 6/2000 Vanelli D14/387

D433,553 S * 11/2000 Goldstein D18/4.6
D475,984 S * 6/2003 Chen D14/126
D486,850 S * 2/2004 Griffith D18/12.3
D505,950 S * 6/2005 Summit D14/341
D542,791 S * 5/2007 Fitch D14/385
D544,903 S * 6/2007 Henry D18/4.6
D547,361 S * 7/2007 Henry D18/4.6
D553,669 S * 10/2007 Henry D18/4.6
D588,630 S * 3/2009 Erzen D18/4.6

(Continued)

OTHER PUBLICATIONS

Payment Machines. (Design—© Questel) orbit.com. [online PDF] 19 pgs. Print Dates Range Jun. 18, 2019-Jan. 27, 2020 [Retrieved Dec. 1, 2020] <https://www.orbit.com/export/QPTUJ214/pdf2/a1502c6f-4a3f-4162-933d-361ab14f1385-184824.pdf>.*

Primary Examiner — Marie D. Fast Horse

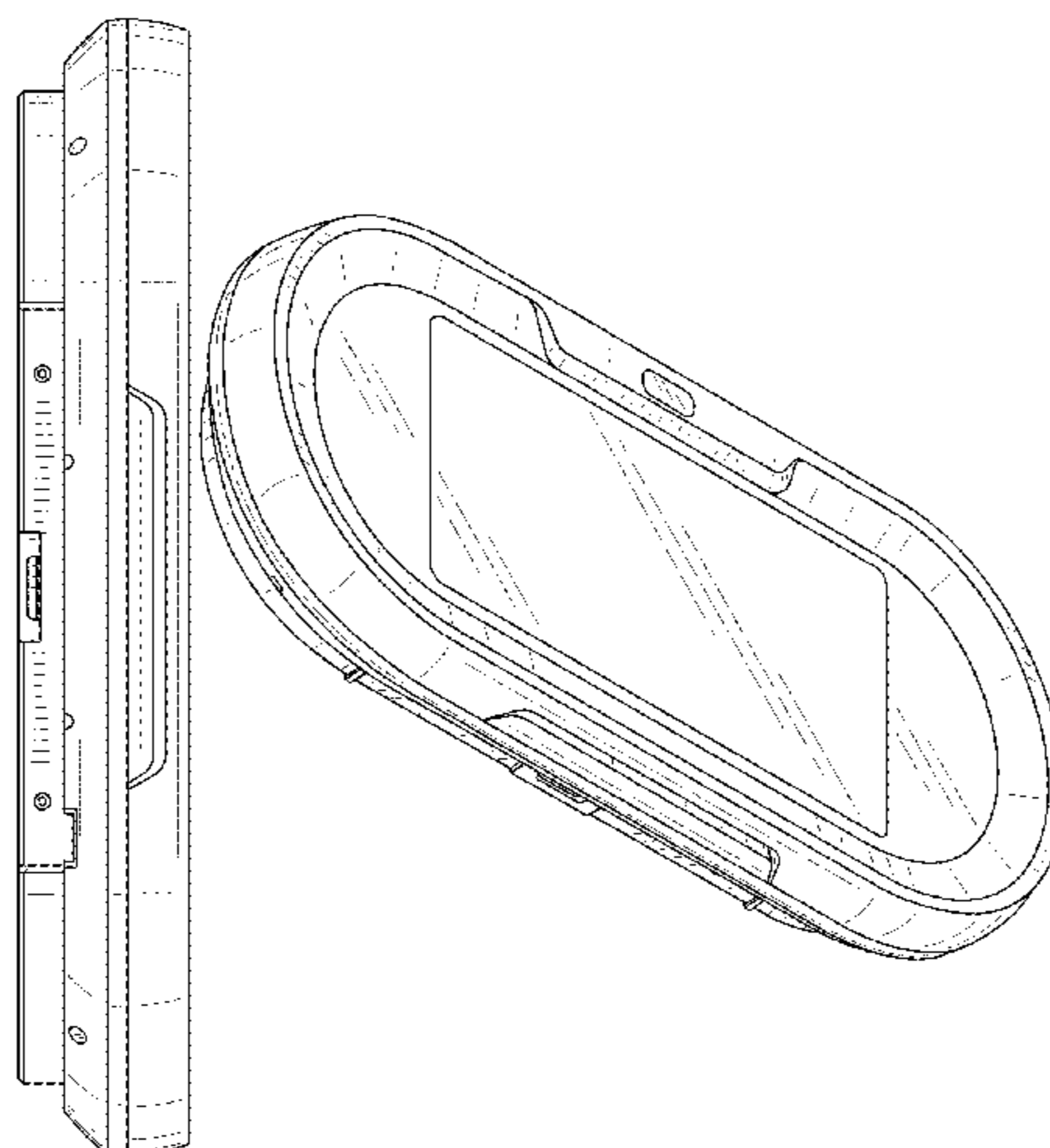
(57) **CLAIM**

The ornamental design for a payment machine, as shown and described.

DESCRIPTION

FIG. 1 is a front view showing an embodiment of a payment machine showing my new design;
FIG. 2 is a rear view thereof;
FIG. 3 is a left-side view thereof;
FIG. 4 is a right-side view thereof;
FIG. 5 is a top view thereof;
FIG. 6 is a bottom view thereof;
FIG. 7 is a top-right perspective view thereof; and,
FIG. 8 is a bottom-left perspective view thereof.
Any shading and cross-hatching are not features of the design but are utilized to illustrate the surface contours of the payment machine in the drawings. The broken lines in the drawings depict parts of the payment machine that form no part of the claimed design.

1 Claim, 6 Drawing Sheets



(56)

References Cited

U.S. PATENT DOCUMENTS

D593,527 S * 6/2009 Wang D14/138 G
D607,488 S * 1/2010 Dahl D18/4.6
D612,831 S * 3/2010 Choi D14/138 AD
D615,084 S * 5/2010 Burton D14/341
D625,287 S * 10/2010 Rayn D14/203.7
D683,323 S * 5/2013 Park D14/138 G
8,446,375 B2 * 5/2013 Yasumi G06F 3/04883
345/173
D684,071 S * 6/2013 Greenwood D10/70
D688,638 S * 8/2013 Park D14/138 G
8,725,215 B2 * 5/2014 Asano G06F 3/0488
455/566
D724,578 S * 3/2015 Yamazaki D14/341
D744,109 S * 11/2015 Yoneta D24/186
D792,862 S * 7/2017 Xu D14/138 AA
D812,229 S * 3/2018 Al-Siddiq D24/167
D842,139 S 3/2019 Fischer et al.
D865,859 S * 11/2019 Ben Avi D18/4.4
D883,374 S * 5/2020 Li D18/4.4
D886,188 S * 6/2020 Li D18/4.4
D897,307 S * 9/2020 Kawatake D14/158
2003/0132293 A1 * 7/2003 Fitch G06Q 20/00
235/383
2003/0132294 A1 * 7/2003 Gomez G06Q 20/00
235/383
2003/0135751 A1 * 7/2003 O'Donnell G06Q 20/20
705/16
2005/0064917 A1 * 3/2005 Peng H04M 1/021
455/575.1
2009/0160802 A1 * 6/2009 Yasumi G06F 3/04883
345/173
2010/0043627 A1 * 2/2010 Ahn G10H 1/342
84/723

* cited by examiner

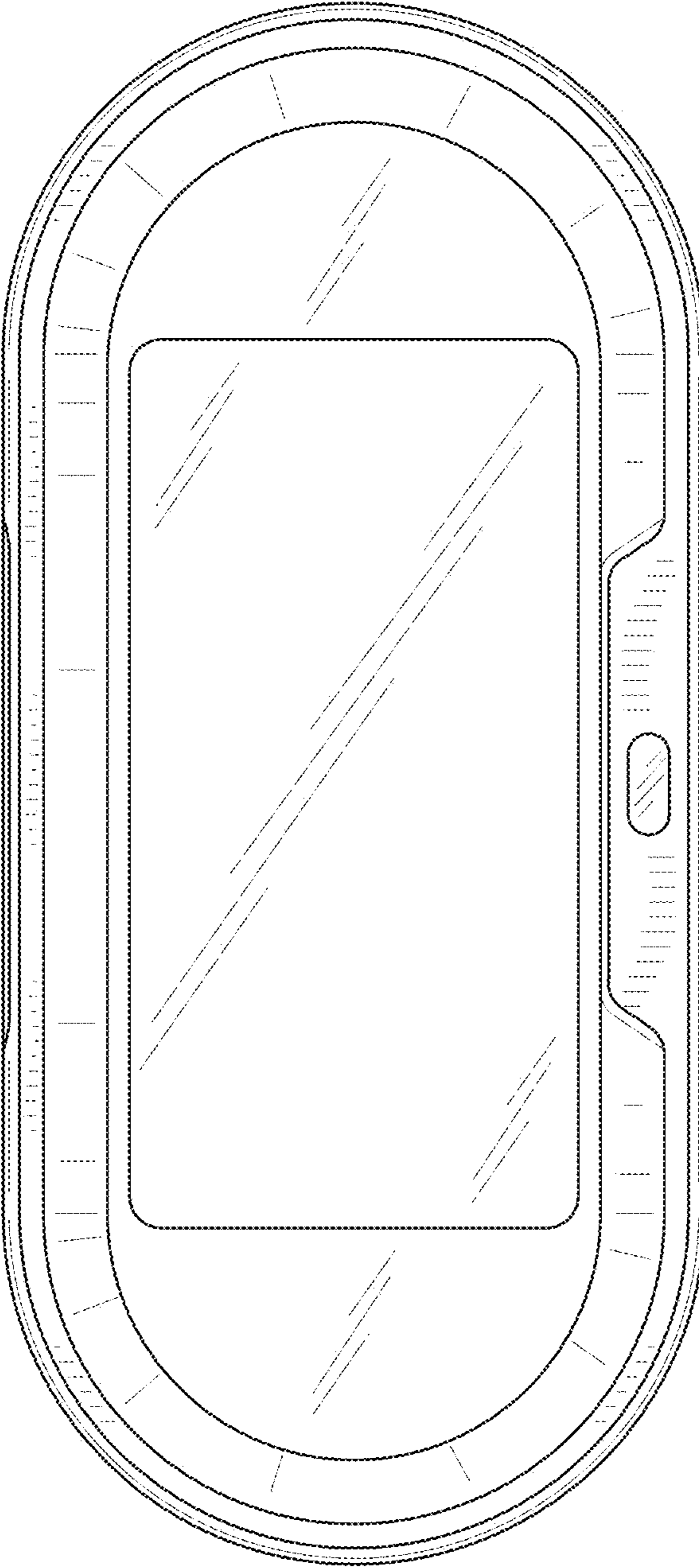


FIG. 1

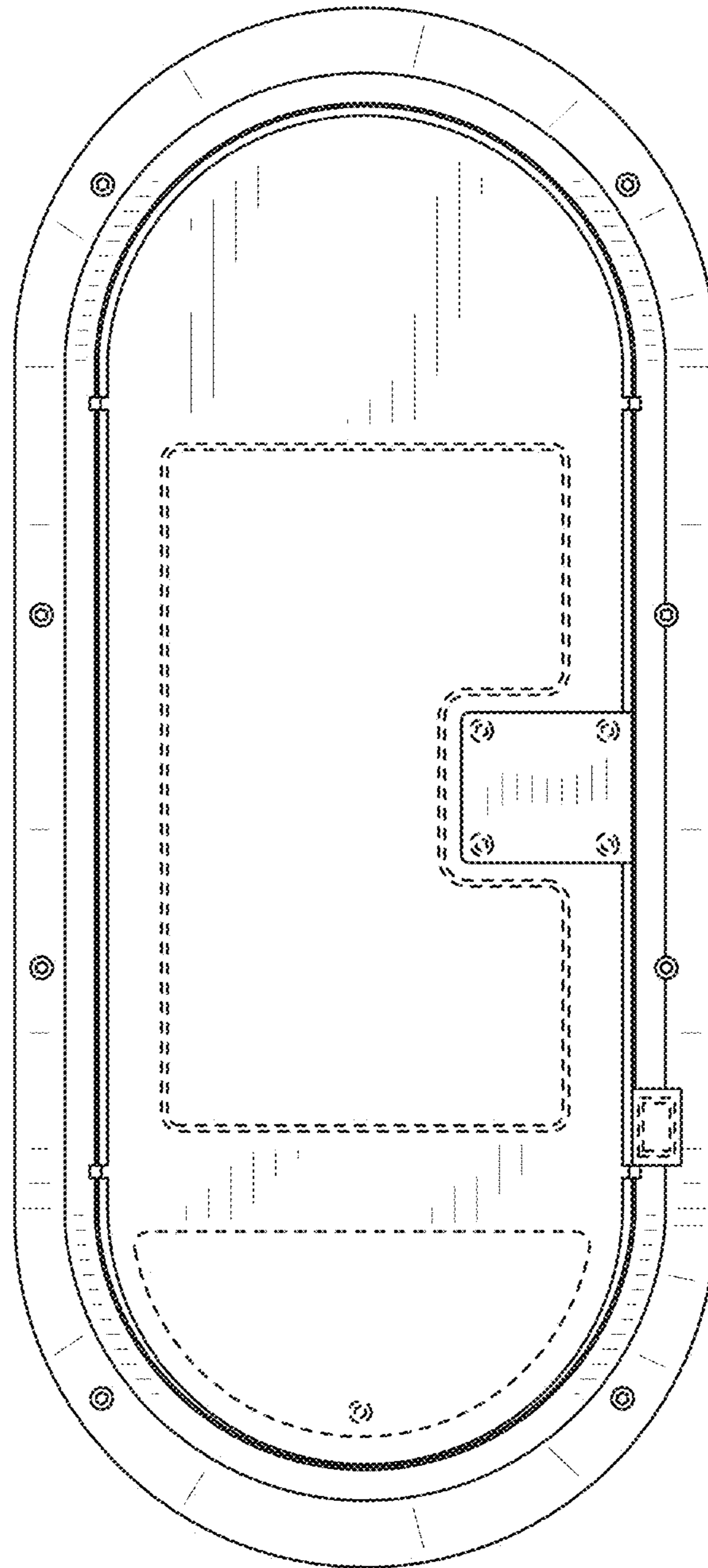


FIG. 2

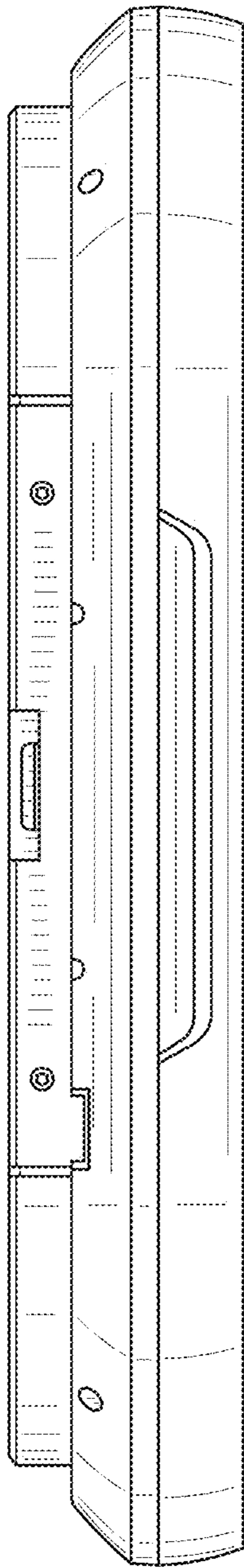


FIG. 3

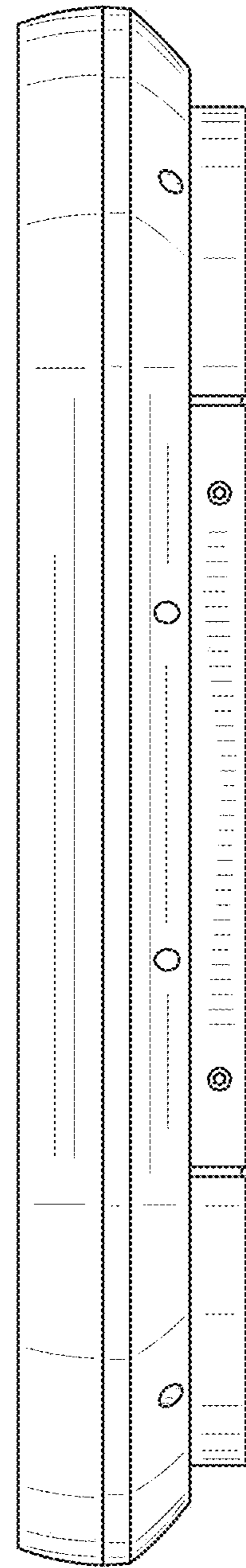


FIG. 4

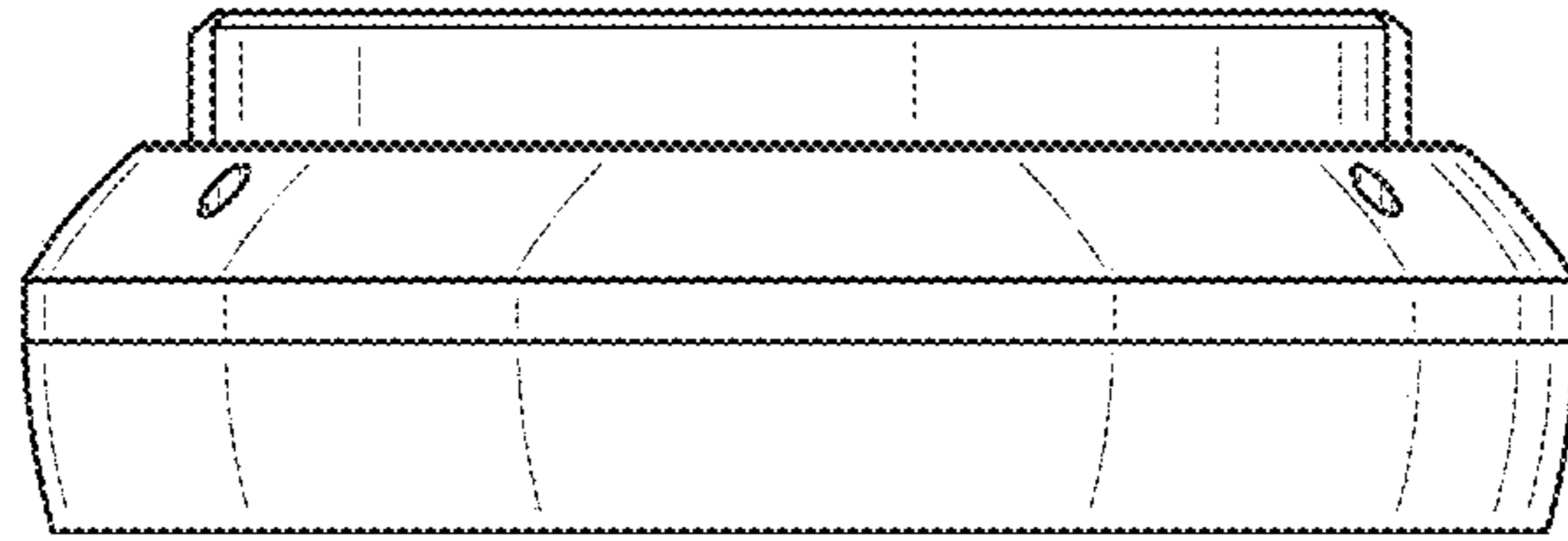


FIG. 5

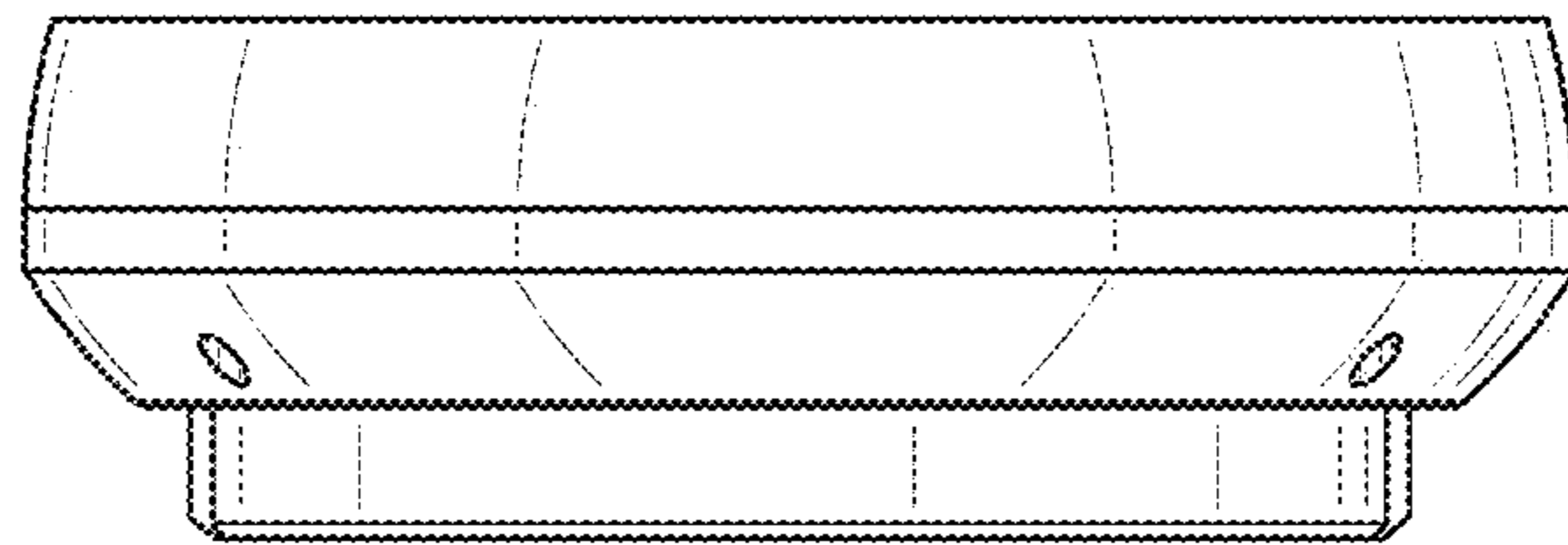


FIG. 6

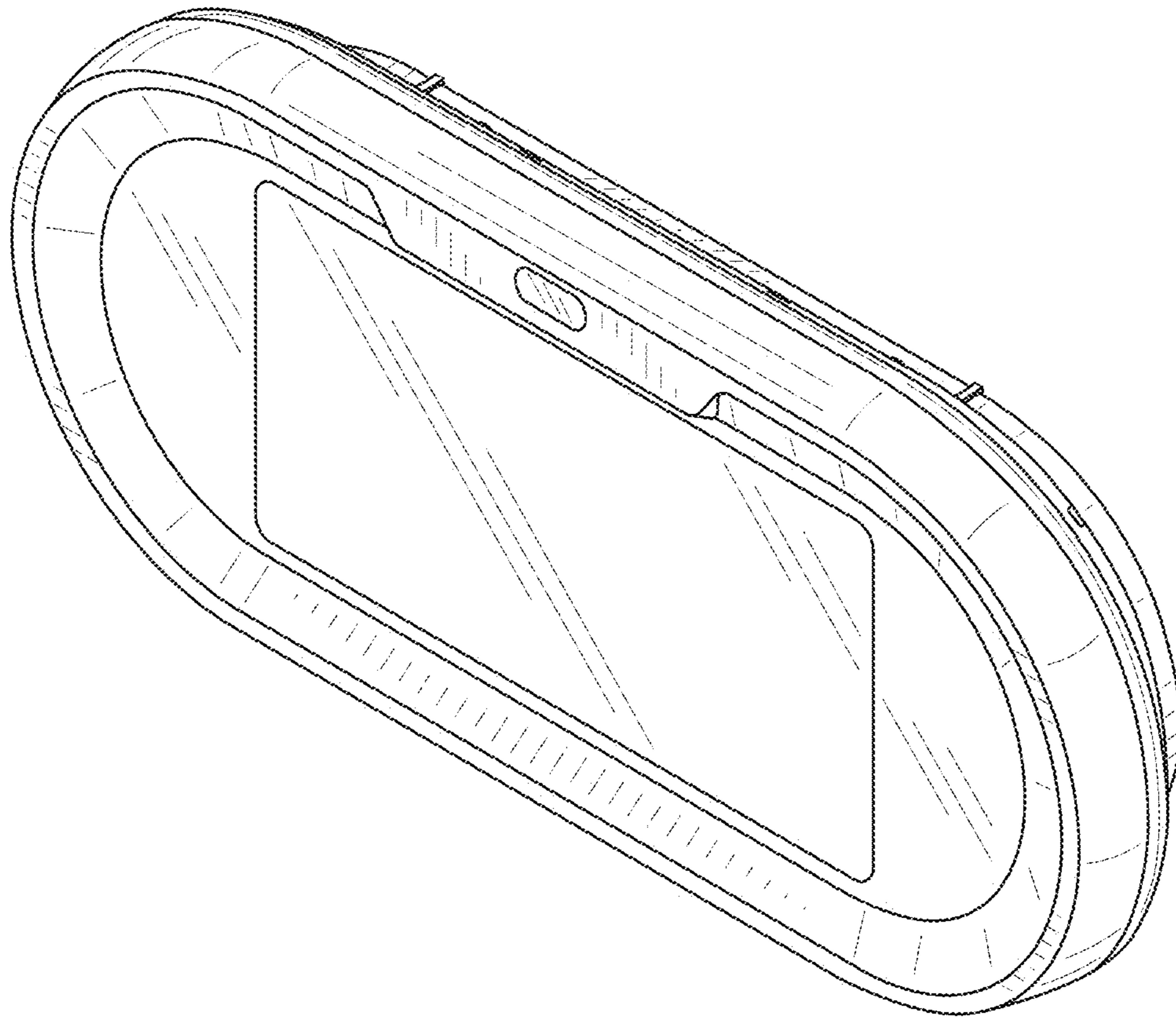


FIG. 7

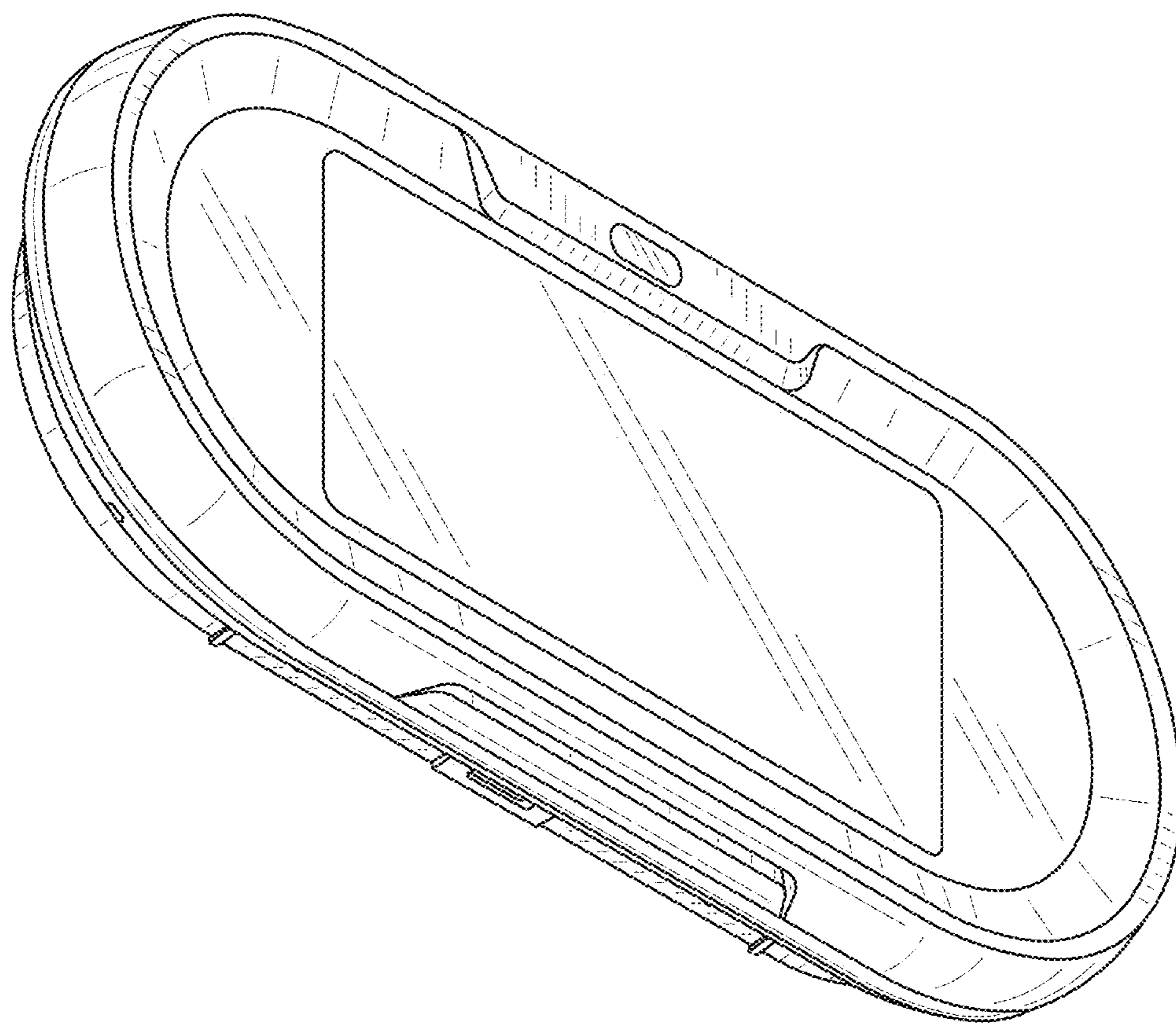


FIG. 8