



US00D918996S

(12) **United States Design Patent**
Terazaki

(10) **Patent No.:** **US D918,996 S**

(45) **Date of Patent:** **** May 11, 2021**

(54) **ELECTRONIC KEYBOARD**

(71) Applicant: **YAMAHA CORPORATION,**
Hamamatsu (JP)

(72) Inventor: **Yoshinobu Terazaki,** Hamamatsu (JP)

(73) Assignee: **YAMAHA CORPORATION,**
Hamamatsu (JP)

(**) Term: **15 Years**

(21) Appl. No.: **29/727,784**

(22) Filed: **Mar. 13, 2020**

(51) **LOC (13) Cl.** **17-01**

(52) **U.S. Cl.**
USPC **D17/1**

(58) **Field of Classification Search**
USPC D17/1, 2, 7, 99; D21/405, 409, 411;
D14/203.1
CPC G10C 1/00; G10C 3/00; G10C 3/12
See application file for complete search history.

(56) **References Cited**

U.S. PATENT DOCUMENTS

D305,772 S	*	1/1990	Kitsuyu	D17/1
D313,034 S	*	12/1990	Koide	D17/1
D404,059 S	*	1/1999	Miura	D17/1
D508,070 S	*	8/2005	Tanaka	D17/1
D558,255 S	*	12/2007	Reichhuber	D17/1

D667,867 S	*	9/2012	Kitazawa	D17/1
D696,715 S	*	12/2013	Sato	D17/1
D718,374 S	*	11/2014	Gonzalez	D17/1
D718,808 S	*	12/2014	Okamura	D17/1
D772,974 S	*	11/2016	Takei	D17/1
D776,189 S	*	1/2017	Takei	D17/1
D792,921 S	*	7/2017	Takei	D17/1
D889,532 S	*	7/2020	Ohmachi	D17/1

* cited by examiner

Primary Examiner — R. Johnson

(74) *Attorney, Agent, or Firm* — Sughrue Mion, PLLC

(57) **CLAIM**

The ornamental design for an electronic keyboard, as shown and described.

DESCRIPTION

FIG. 1 is a perspective view of the front, top and right side of an electronic keyboard showing my new design;
FIG. 2 is a front view thereof;
FIG. 3 is a rear view thereof;
FIG. 4 is a left side view thereof;
FIG. 5 is a right side view thereof;
FIG. 6 is a top view thereof; and,
FIG. 7 is a bottom view thereof.

The broken lines represent the portions of the electronic keyboard that form no part of the claimed design.

1 Claim, 6 Drawing Sheets

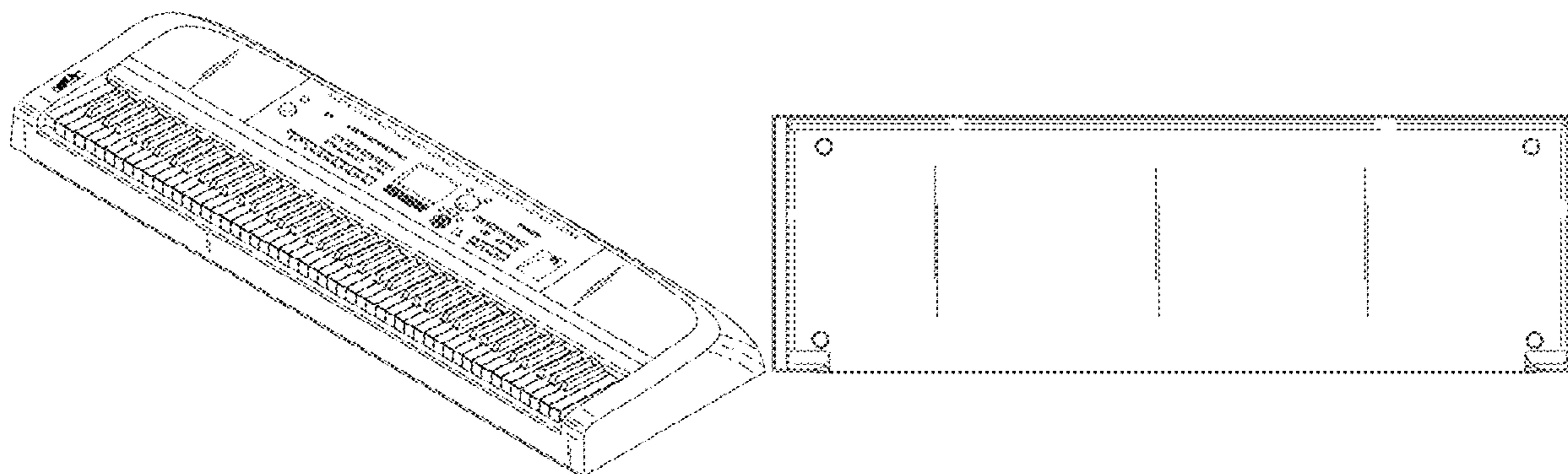


FIG. 1

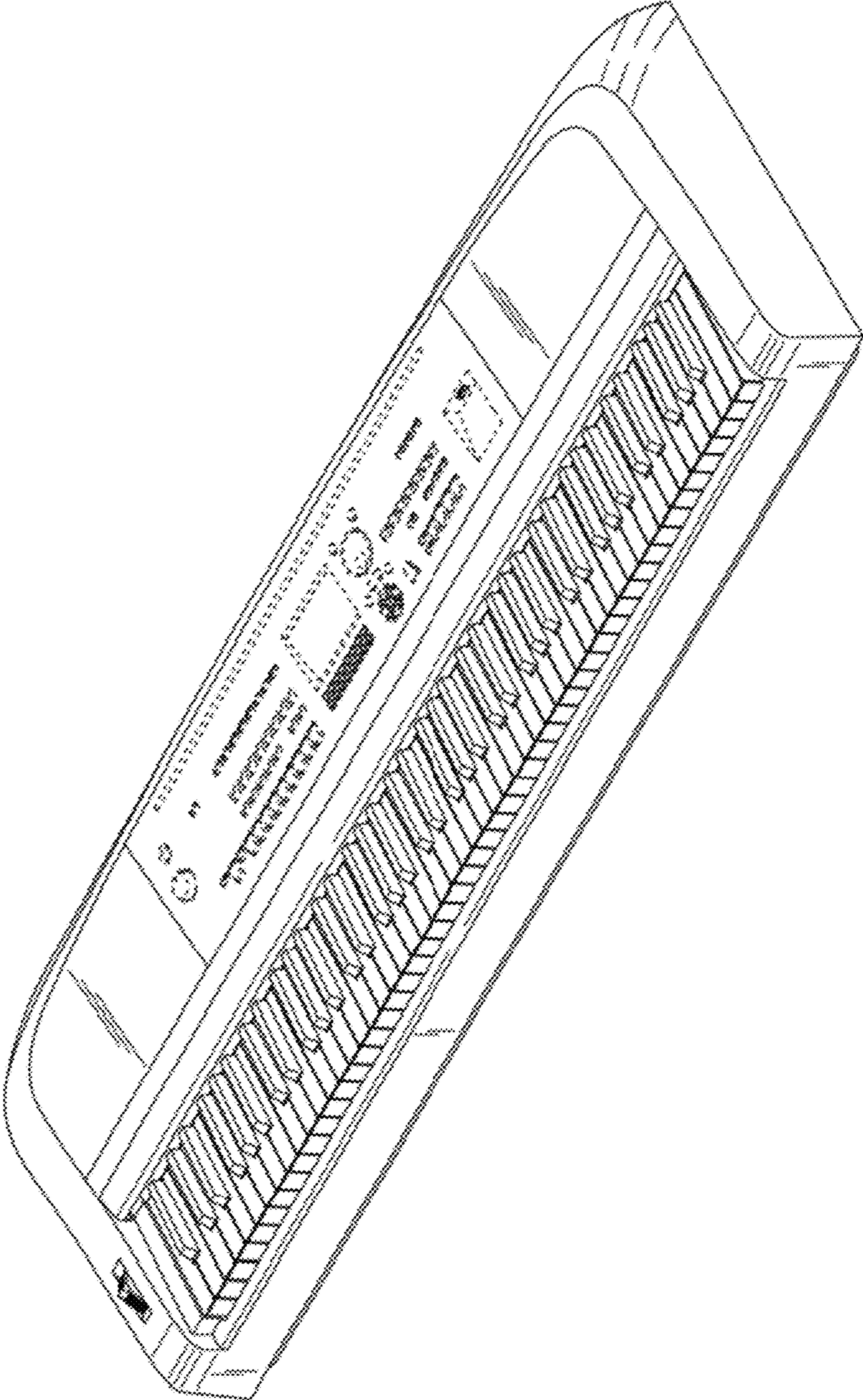


FIG. 2

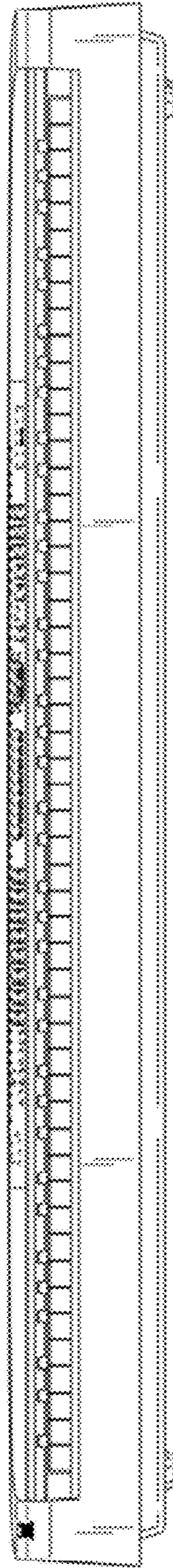


FIG. 3

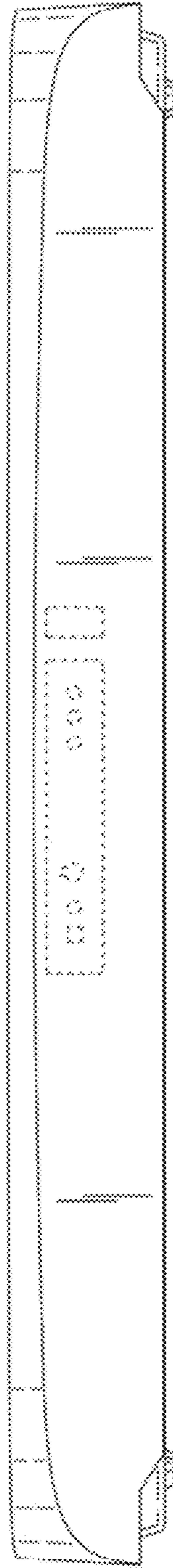


FIG. 5

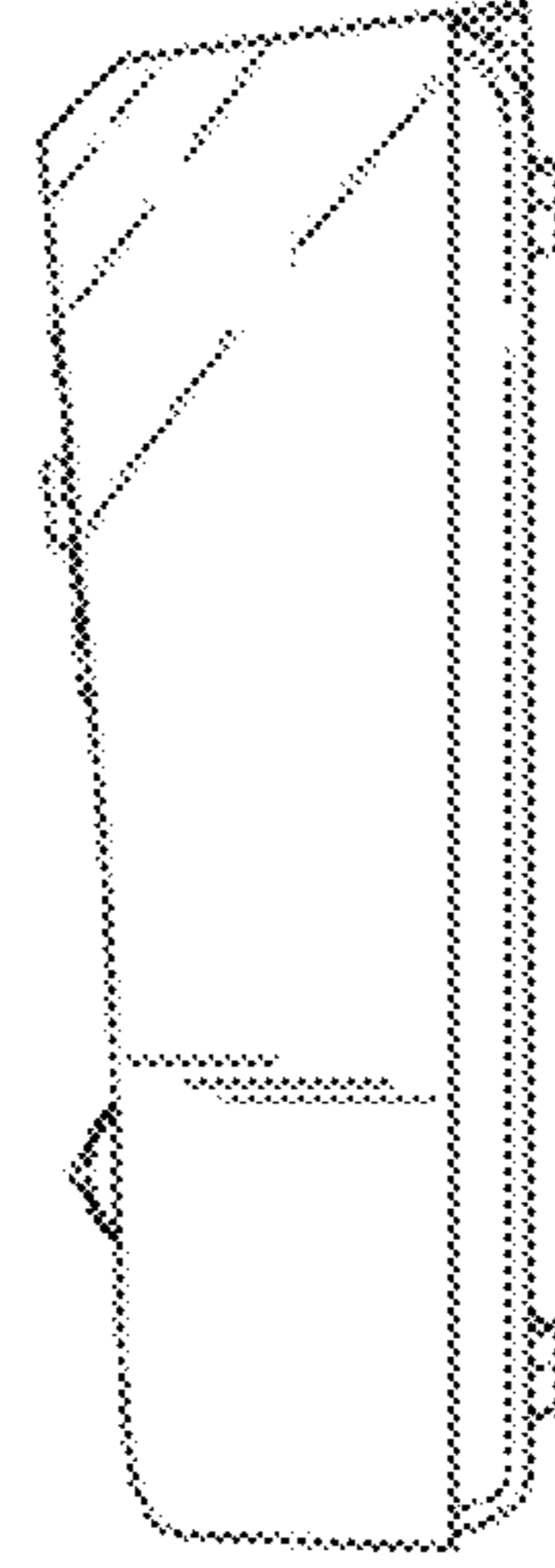


FIG. 4

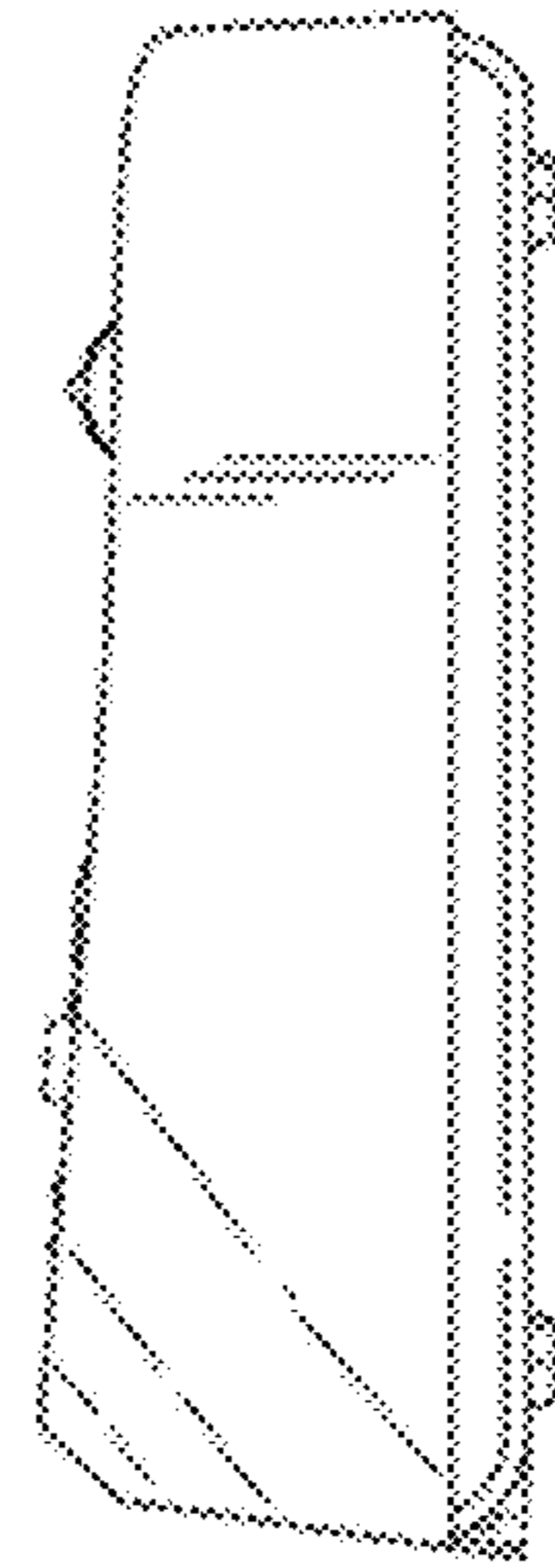


FIG. 6

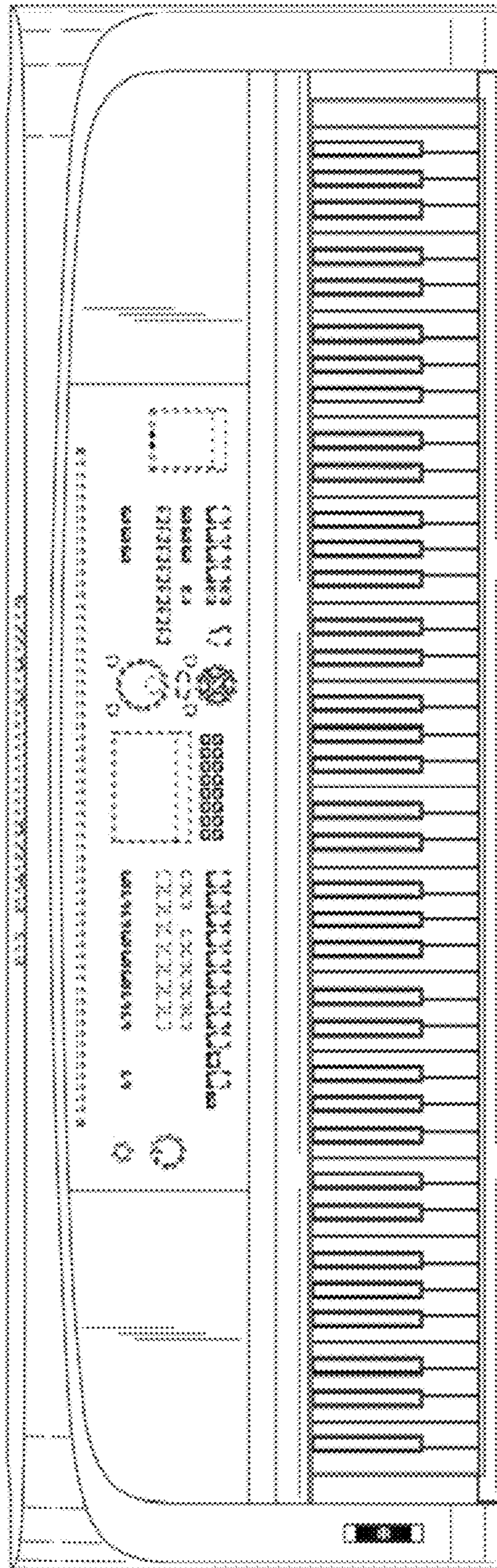


FIG. 7

