



US00D918995S

(12) **United States Design Patent** (10) **Patent No.:** **US D918,995 S**
Kasao (45) **Date of Patent:** **** May 11, 2021**

(54) **ELECTRONIC KEYBOARD**
(71) Applicant: **YAMAHA CORPORATION,**
Hamamatsu (JP)
(72) Inventor: **Yurii Kasao,** Hamamatsu (JP)
(73) Assignee: **YAMAHA CORPORATION,**
Hamamatsu (JP)

(**) Term: **15 Years**
(21) Appl. No.: **29/723,268**

(22) Filed: **Feb. 5, 2020**

(30) **Foreign Application Priority Data**

Aug. 8, 2019 (JP) JP2019-017763

(51) **LOC (13) Cl.** **17-01**

(52) **U.S. Cl.**
USPC **D17/1**

(58) **Field of Classification Search**
USPC D17/1, 2, 7, 99; D21/405, 409, 411;
D14/203.1
CPC G10C 1/00; G10C 3/00; G10C 3/12
See application file for complete search history.

(56) **References Cited**

U.S. PATENT DOCUMENTS

3,145,608 A * 8/1964 Lindermeier G10D 7/14
84/375
D278,066 S * 3/1985 Garoogian D17/1
D296,338 S * 6/1988 Sgroi D17/1

D312,091 S * 11/1990 Amiya D17/1
D312,264 S * 11/1990 Amiya D17/1
D620,042 S * 7/2010 Lambert D17/99
D620,043 S * 7/2010 Lambert D17/99
D761,348 S * 7/2016 Kashiwase D17/1
D764,571 S * 8/2016 Kashiwase D17/1
D837,282 S * 1/2019 Kashiwase D17/1

FOREIGN PATENT DOCUMENTS

KR 20050001436 A * 1/2005

* cited by examiner

Primary Examiner — R. Johnson

(74) *Attorney, Agent, or Firm* — Sughrue Mion, PLLC

(57) **CLAIM**

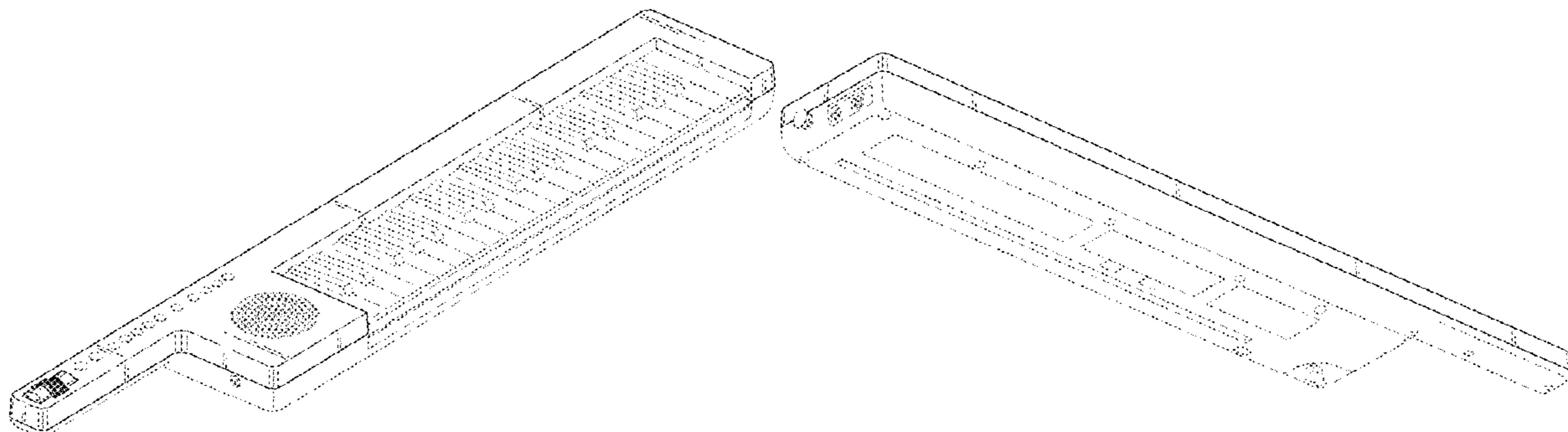
The ornamental design for an electronic keyboard, as shown and described.

DESCRIPTION

FIG. 1 is a perspective view of the front, top and right side of an electronic keyboard showing my new design;
FIG. 2 is a perspective view of the rear, bottom and left side thereof;
FIG. 3 is a front view thereof;
FIG. 4 is a rear view thereof;
FIG. 5 is a left side view thereof;
FIG. 6 is a right side view thereof;
FIG. 7 is a top view thereof; and,
FIG. 8 is a bottom view thereof.

The broken line showing of the electronic keyboard is included for the purpose of illustrating portions of the electronic keyboard and forms no part of the claimed design.

1 Claim, 5 Drawing Sheets



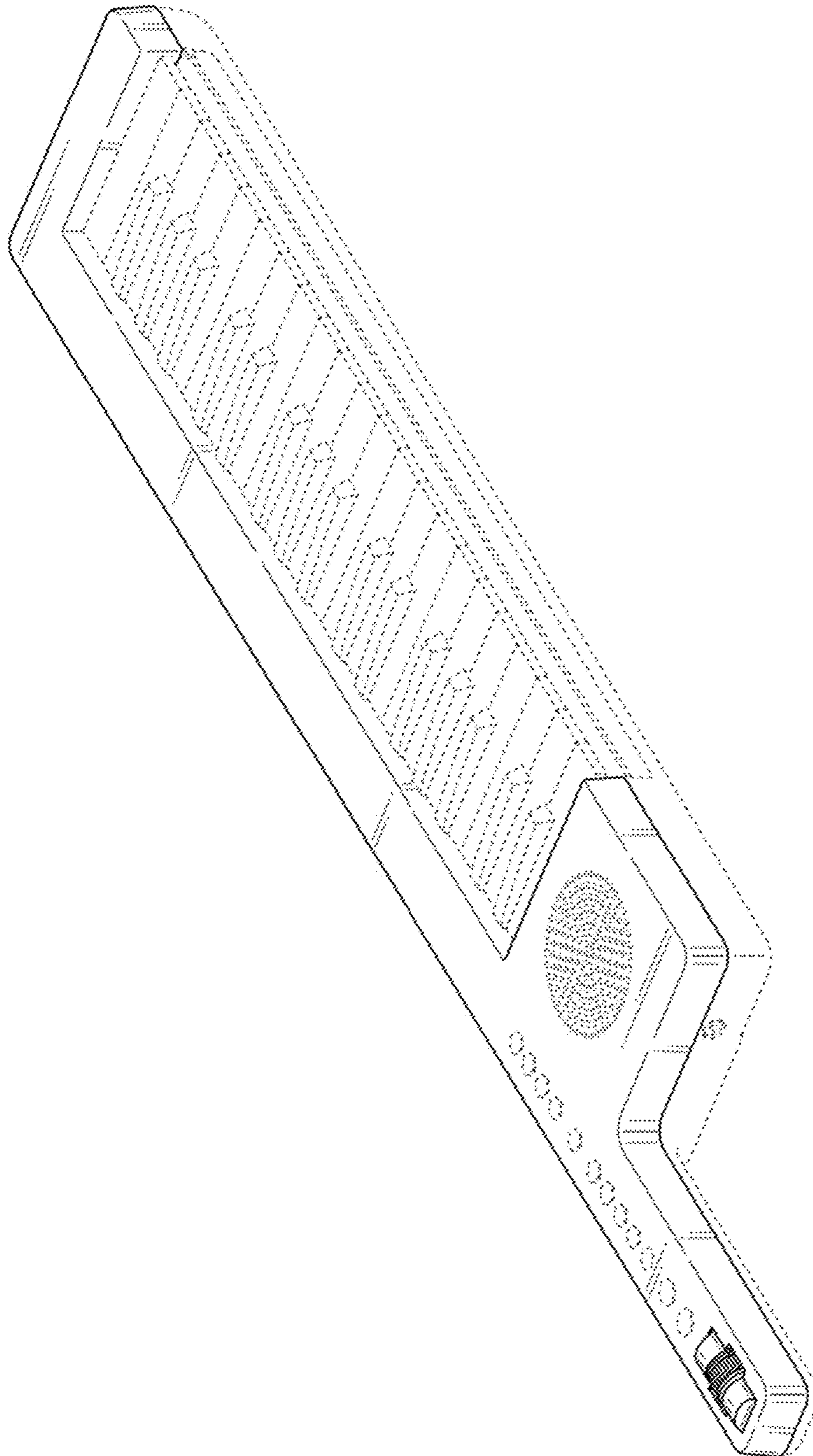


FIG. 1

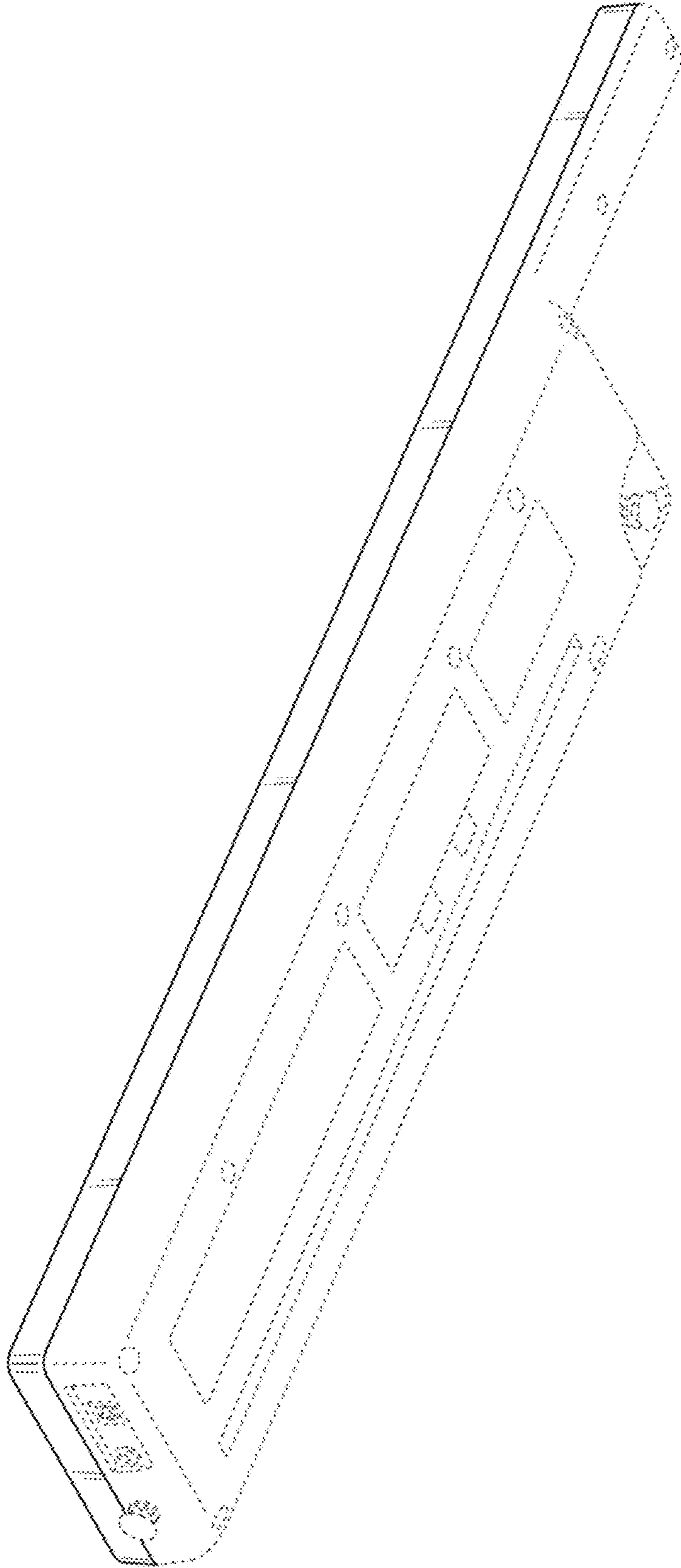


FIG. 2

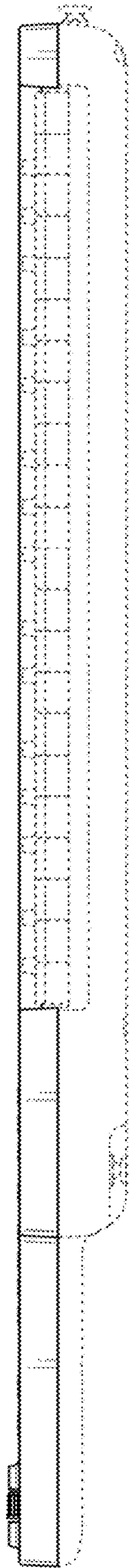


FIG. 3

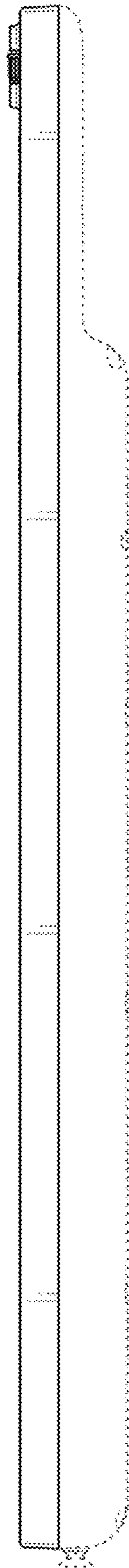


FIG. 4

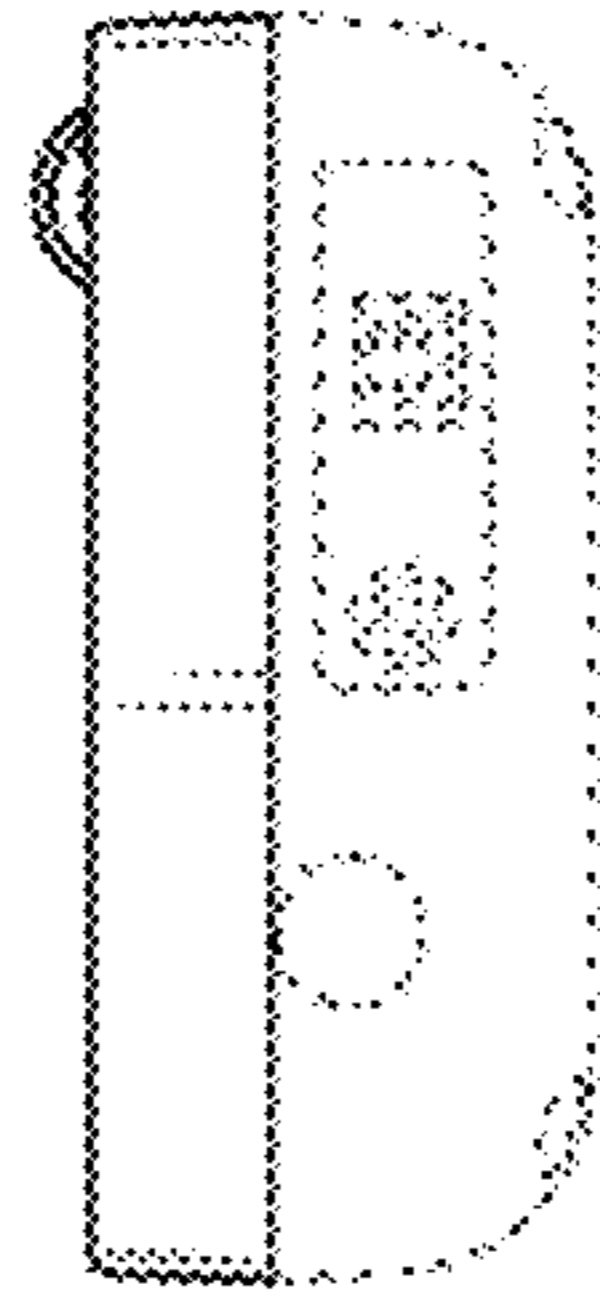


FIG. 6

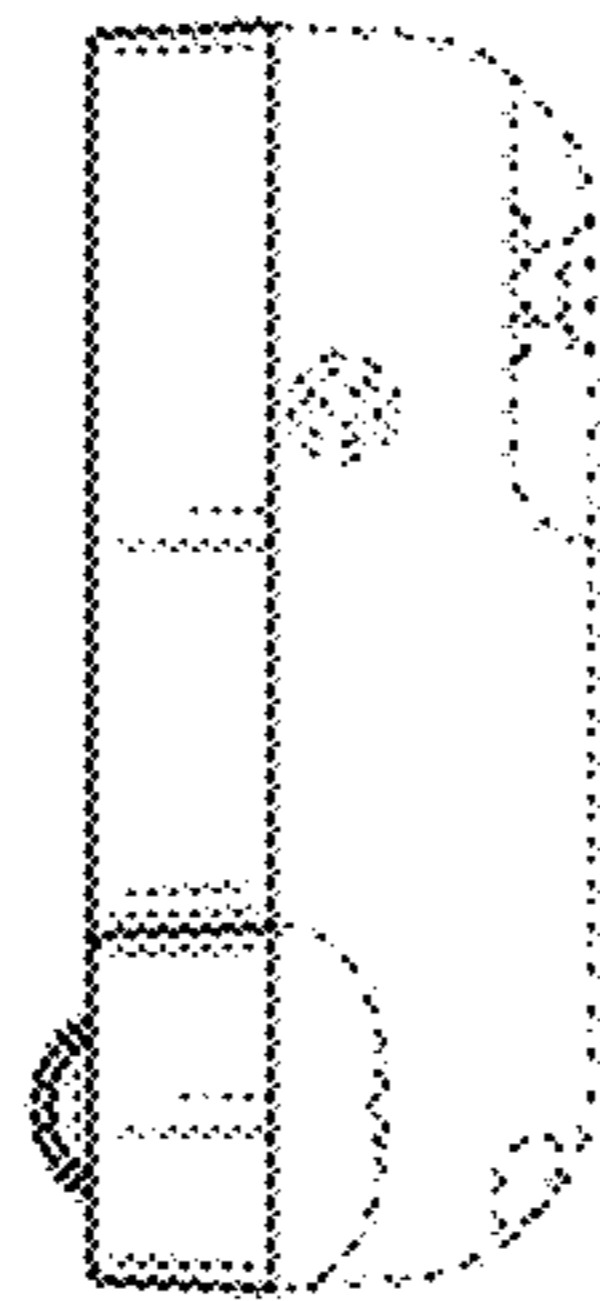


FIG. 5

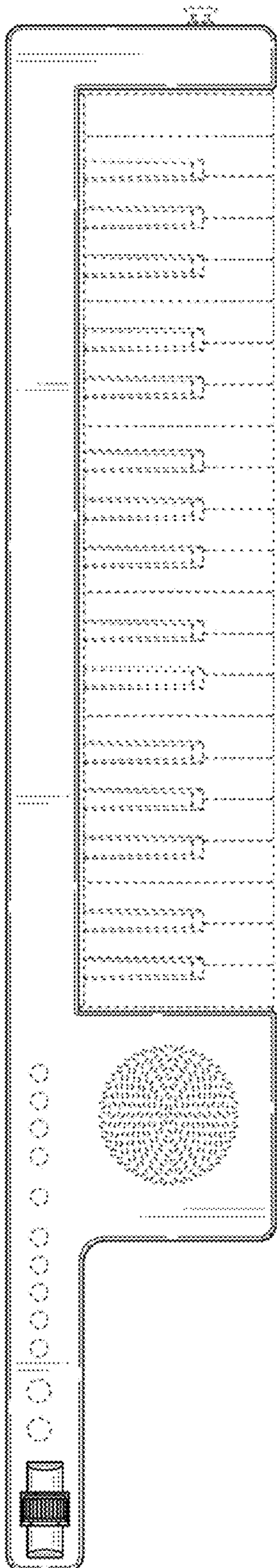


FIG. 7

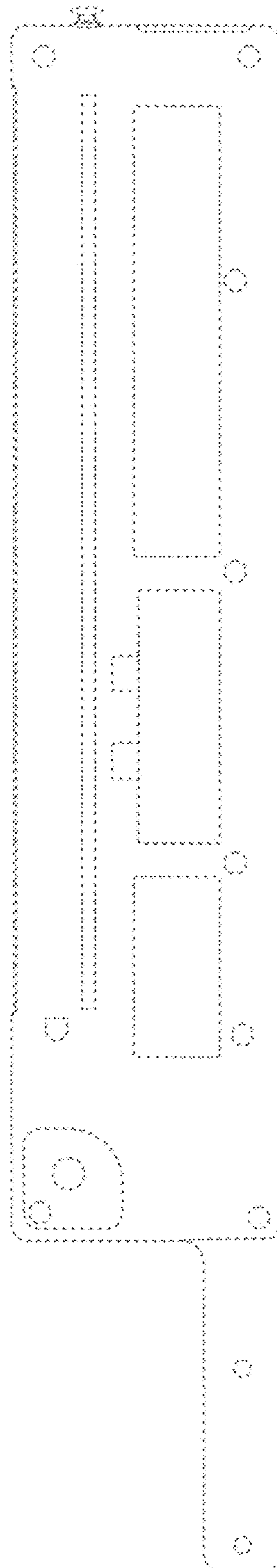


FIG. 8