



US00D918991S

(12) **United States Design Patent** (10) **Patent No.:** **US D918,991 S**
Du (45) **Date of Patent:** **** May 11, 2021**

(54) **EYE MASK**

(71) Applicant: **SHENZHEN KAIBEIRUI TRADING CO., LTD.**, Shenzhen (CN)

(72) Inventor: **Fenghui Du**, Shenzhen (CN)

(73) Assignee: **SHENZHEN KAIBEIRUI TRADING CO., LTD.**, Shenzhen (CN)

(**) Term: **15 Years**

(21) Appl. No.: **29/745,584**

(22) Filed: **Aug. 6, 2020**

(51) **LOC (13) Cl.** **16-06**

(52) **U.S. Cl.**
USPC **D16/301**

(58) **Field of Classification Search**
USPC D16/301
CPC A61F 9/04; A61F 2007/0228
See application file for complete search history.

(56) **References Cited**

U.S. PATENT DOCUMENTS

2,191,937	A *	2/1940	Low	A61F 9/04
					2/12
10,426,666	B1 *	10/2019	Seidenfeld	A61F 9/04
D867,436	S	11/2019	Lian		
D887,484	S	6/2020	Guo		
D906,405	S *	12/2020	Seidenfeld	D16/301
D907,688	S *	1/2021	Du	D16/301
2008/0009926	A1 *	1/2008	Russak	A61F 7/02
					607/109
2016/0008175	A1 *	1/2016	Bergman	A61F 9/04
					2/171.2
2016/0051402	A1 *	2/2016	Laghi	A61F 7/02
					607/109

OTHER PUBLICATIONS

Boodlab Sleep Headphones Eye Mask, posted at amazon.com, posting date Jun. 4, 2020, [online], [site visited Jan. 21, 2021]. Available from Internet, URL: <https://www.amazon.com/Sleep-Headphones-Boodlab-Ultra-Thin-Adjustable/dp/B089NCRJYS/> (Year: 2020).*

LC-dolida Sleep Headphones sleep mask, posted at amazon.com, posting date Jun. 18, 2019, [online], [site visited Jan. 21, 2021]. Available from Internet, URL: <https://www.amazon.com/Headphones-Bluetooth-LC-dolida-Ultra-Thin-Meditation/dp/B07T6FNLQV/> (Year: 2019).*

Lightimetunnel Watotgafer Sleep Headphones Eye Mask, posted at amazon.com, posting date Apr. 8, 2019, [online], [site visited Jan. 21, 2021]. Available from Internet, URL: <https://www.amazon.com/Headphones-Bluetooth-WATOTGAFER-Adjustable-Microphone/dp/B07QJ1JZK6/> (Year: 2019).*

(Continued)

Primary Examiner — George D. Kirschbaum

Assistant Examiner — Maria J. Edwards

(57) **CLAIM**

The ornamental design for an eye mask, as shown and described.

DESCRIPTION

FIG. 1 is a perspective view of an eye mask showing my new design;

FIG. 2 is another perspective view thereof;

FIG. 3 is a front elevational view thereof;

FIG. 4 is a rear elevational view thereof;

FIG. 5 is a left side elevational view thereof;

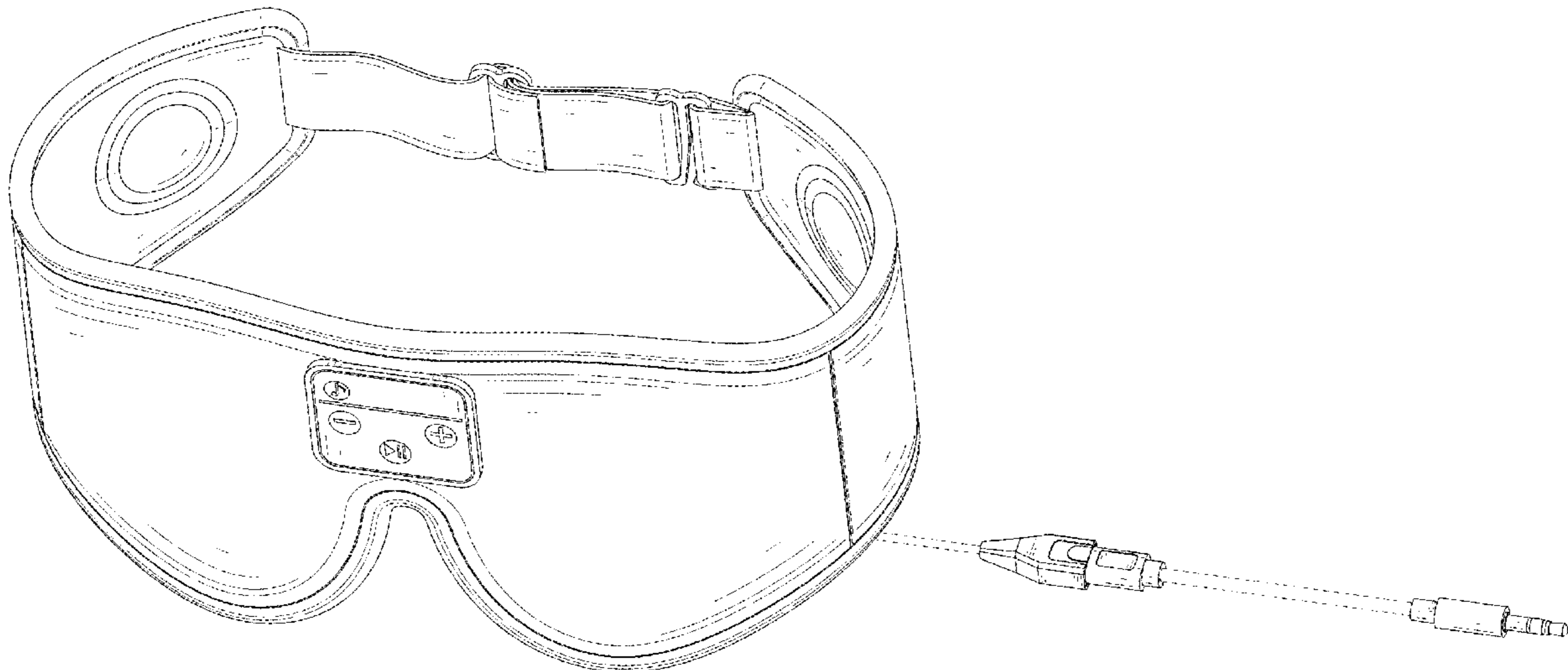
FIG. 6 is a right side elevational view thereof;

FIG. 7 is a top plan view thereof; and,

FIG. 8 is a bottom plan view thereof.

The broken lines in the drawings depict portions of the eye mask that form no part of the claimed design.

1 Claim, 8 Drawing Sheets



(56)

References Cited

OTHER PUBLICATIONS

MUSICOZY Sleep Headphones Eye Mask, posted at amazon.com, posting date Jun. 26, 2019, [online], [site visited Jan. 21, 2021]. Available from Internet, URL: <https://www.amazon.com/dp/B07TPLZY74/>(Year: 2019).*

ZUXNZUX Sleeping Headphones Bluetooth Eye Mask, posted at amazon.com, posting date Dec. 7, 2019, [online], [site visited Jan. 21, 2021]. Available from Internet, URL: <https://www.amazon.com/dp/B082G89Y3T/> (Year: 2019).*

* cited by examiner

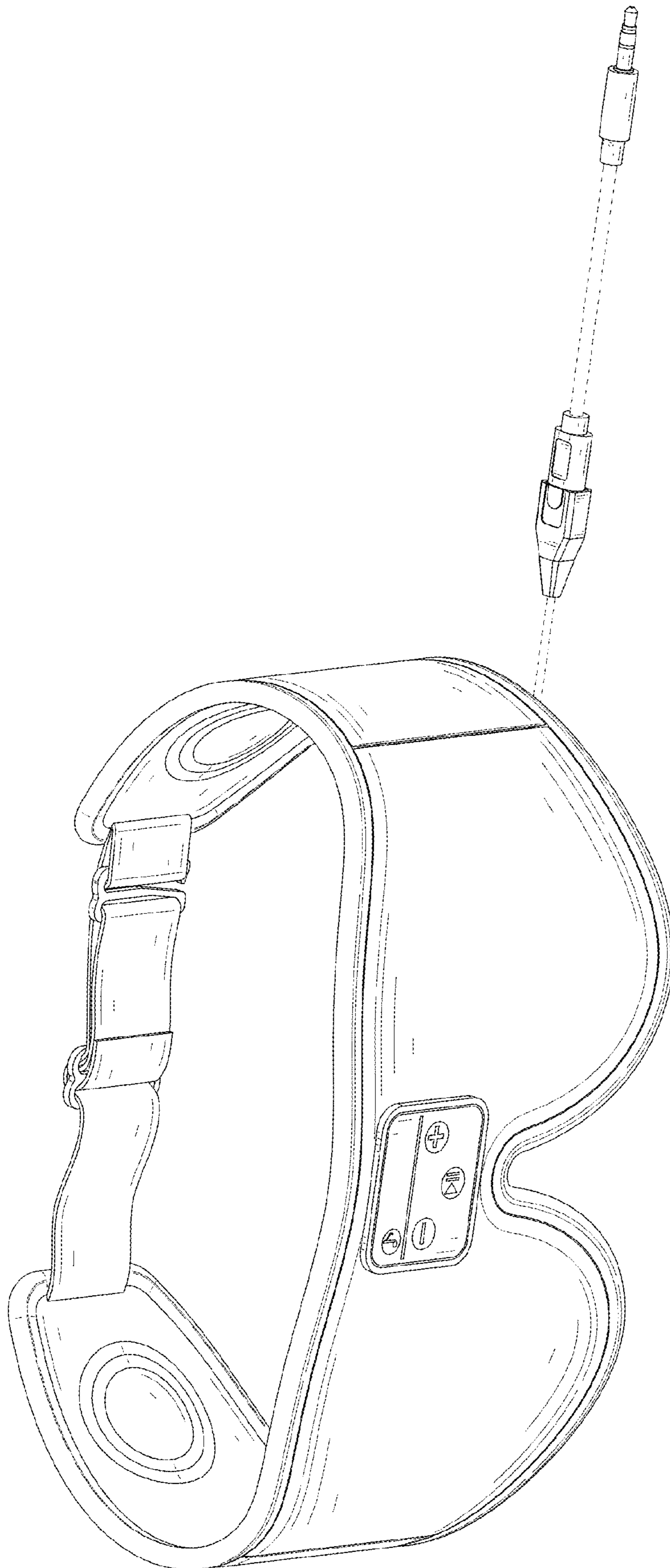


FIG. 1

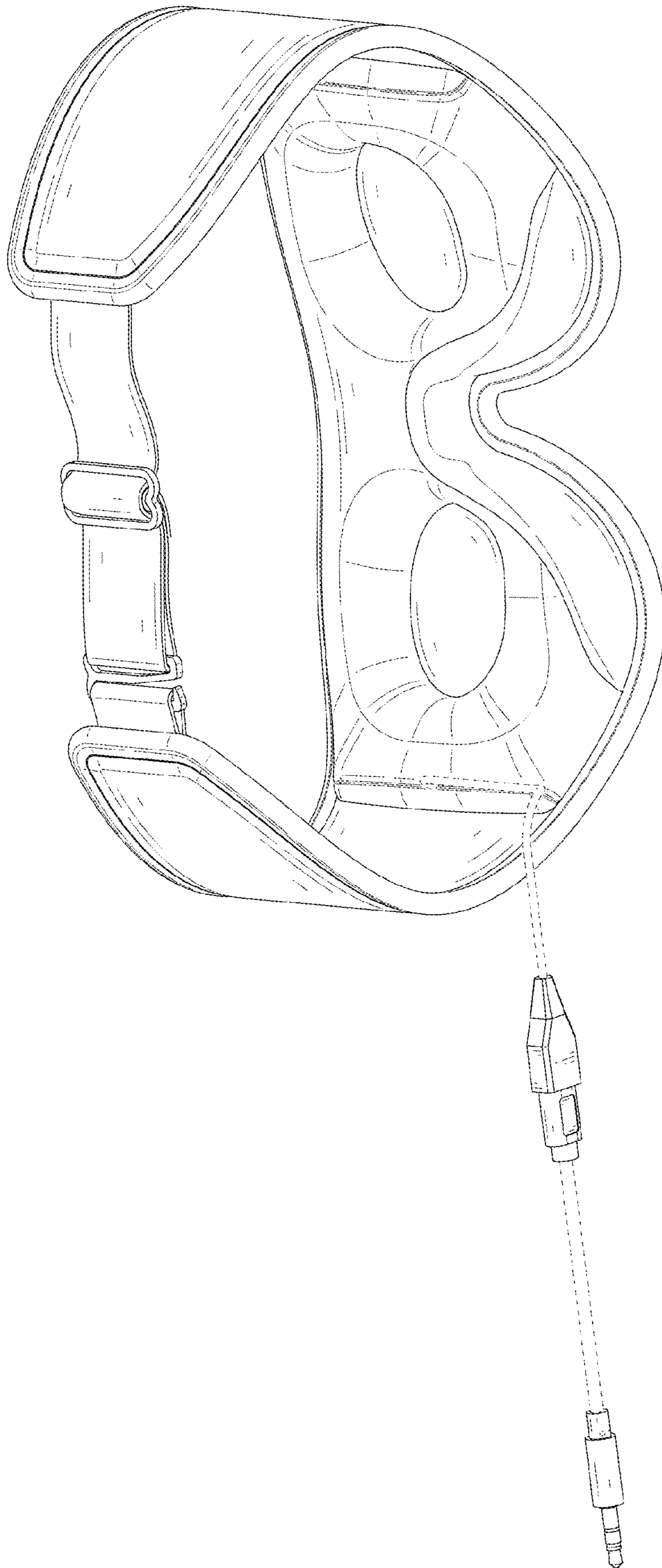


FIG. 2

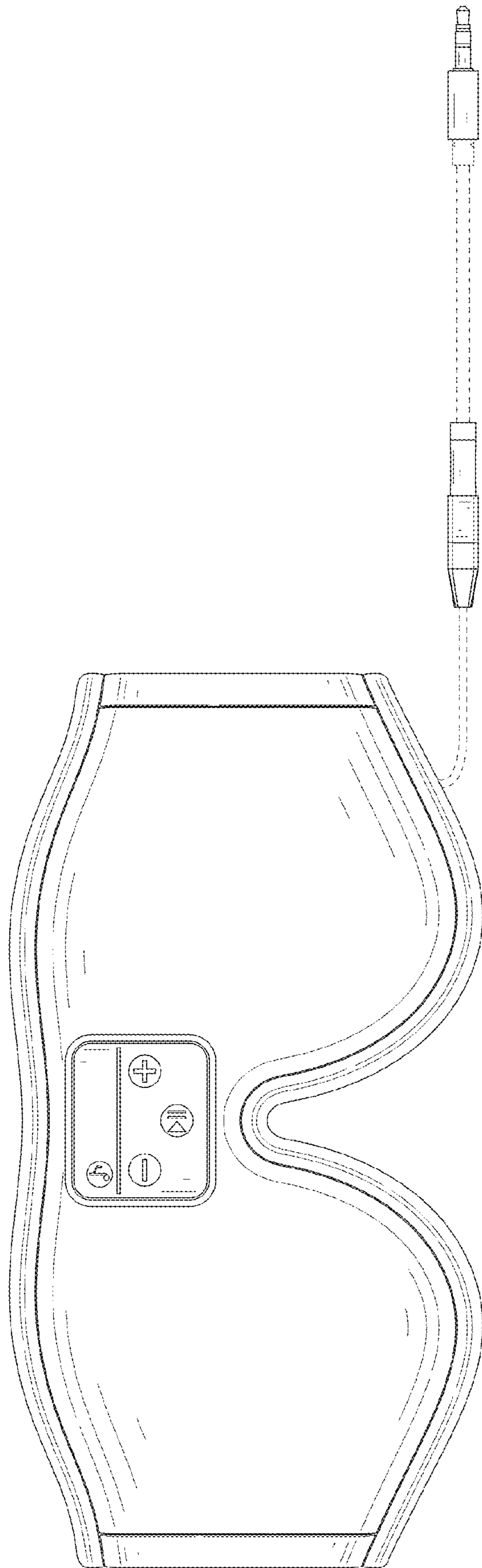


FIG. 3

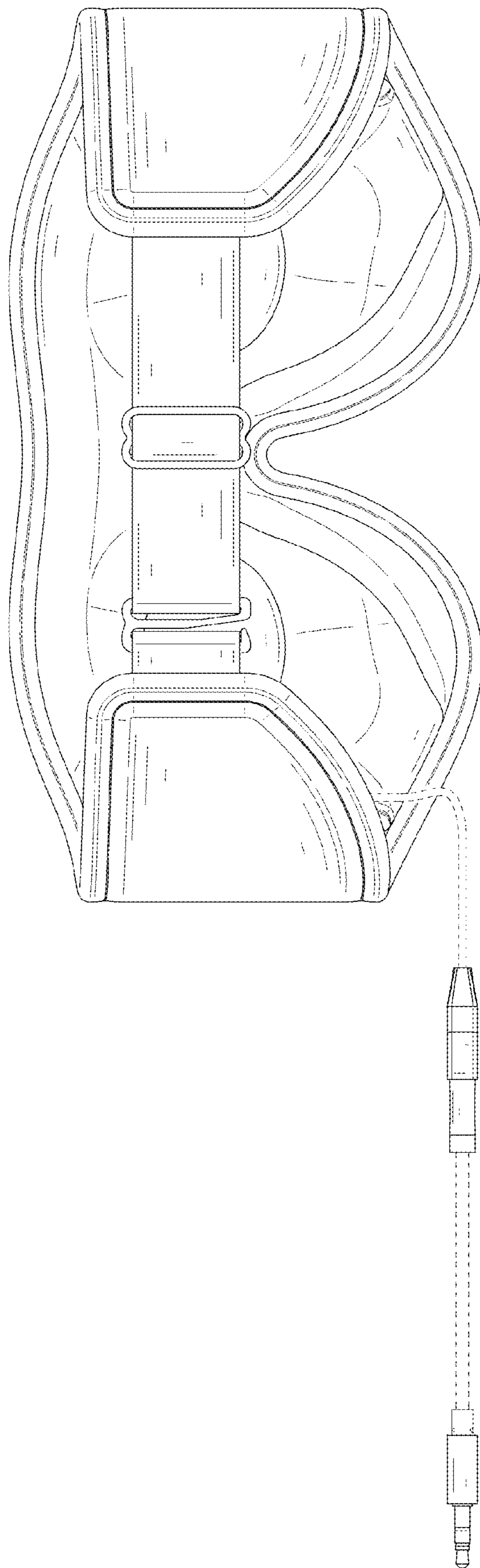


FIG. 4

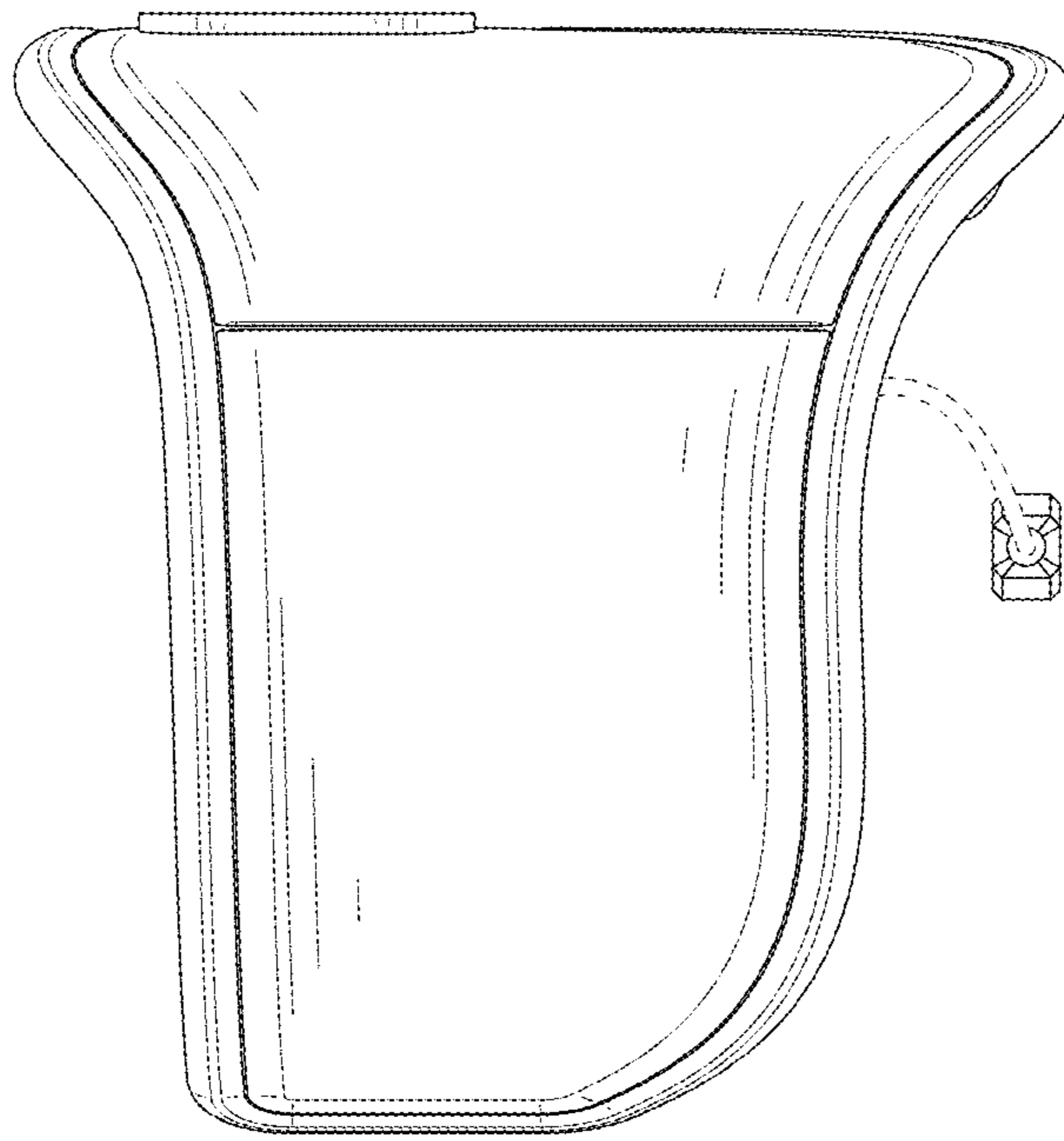


FIG. 5

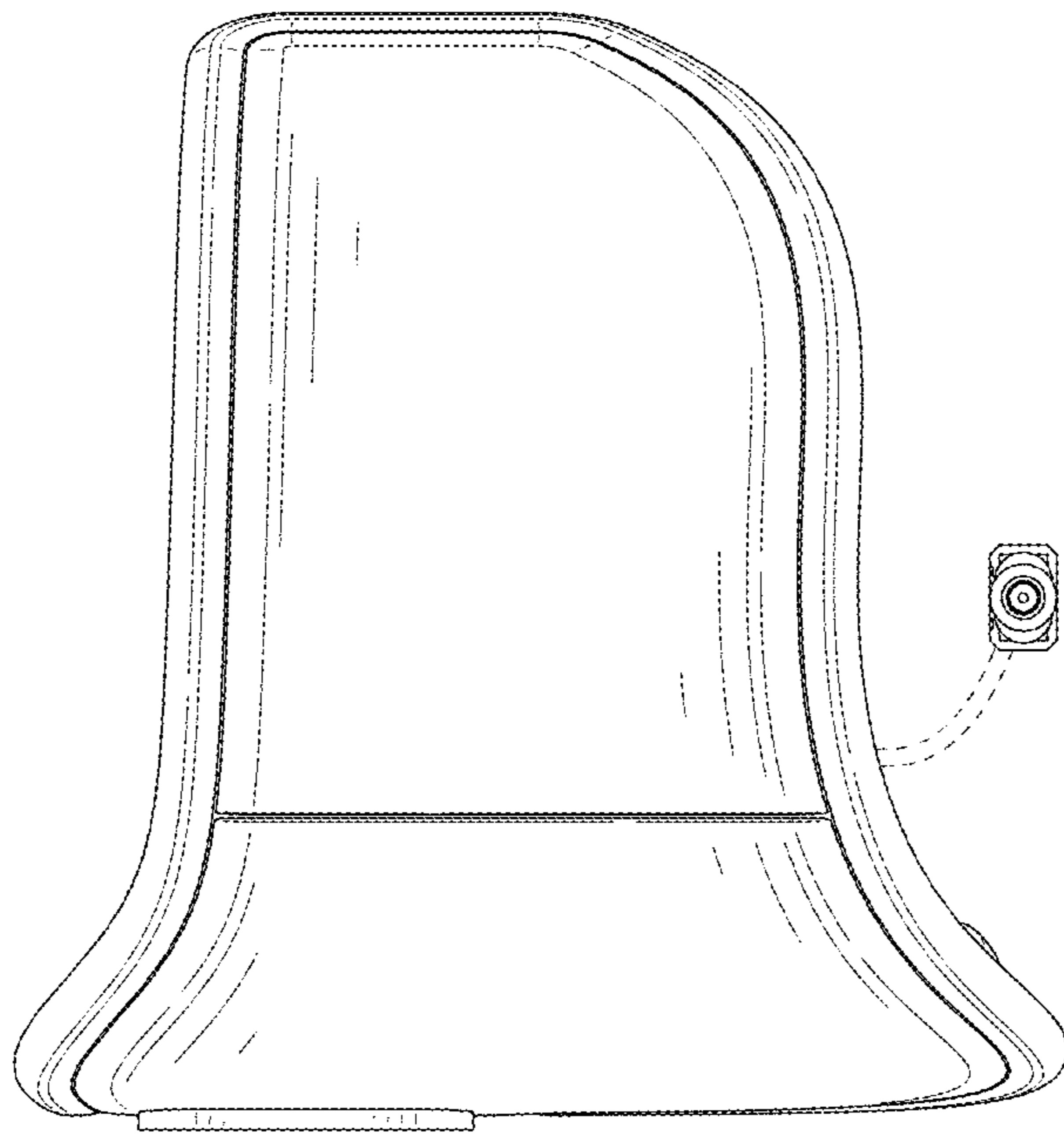


FIG. 6

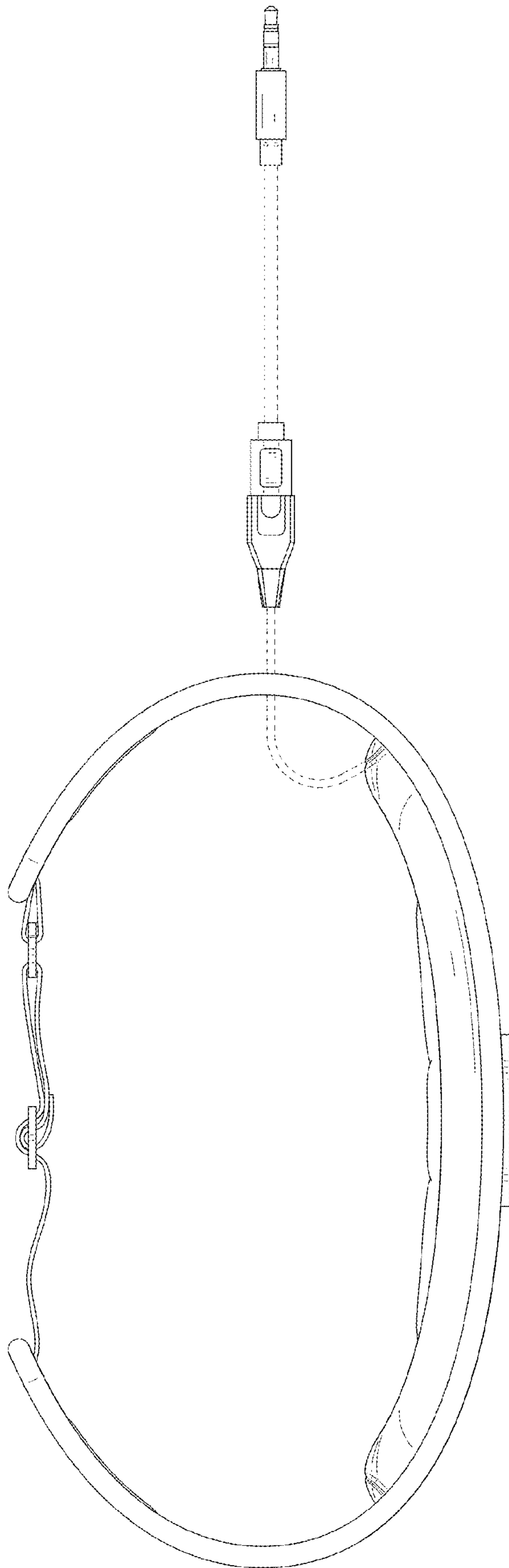


FIG. 7

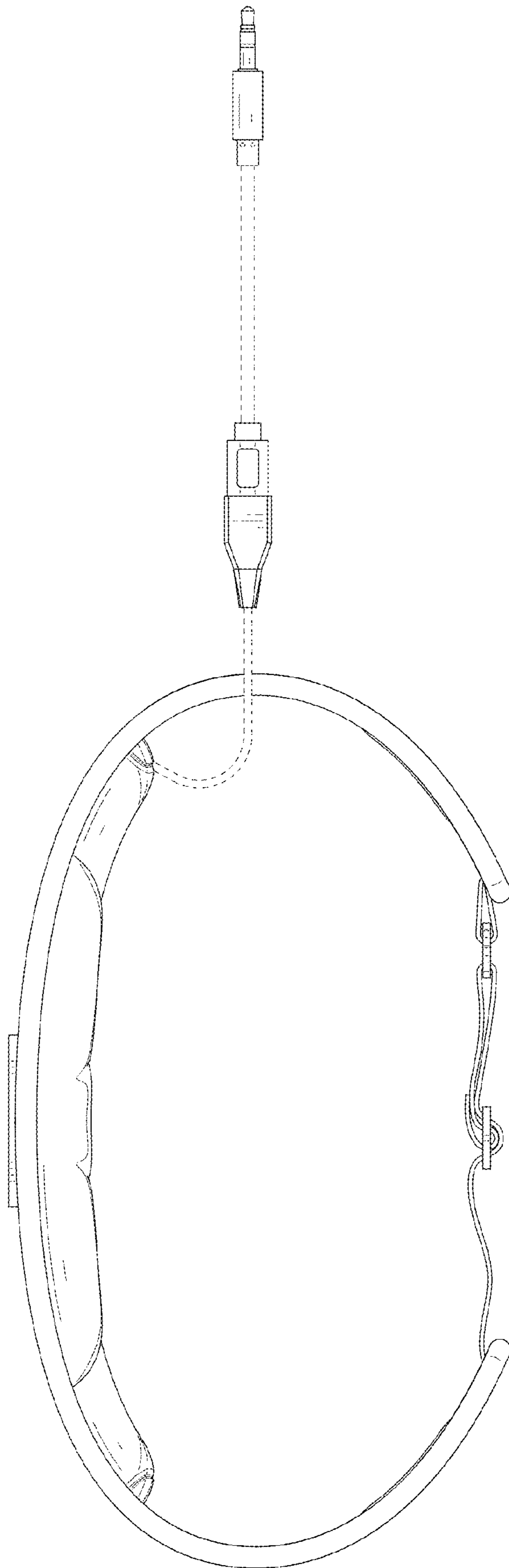


FIG. 8