



US00D918985S

(12) **United States Design Patent** (10) **Patent No.:** **US D918,985 S**  
**Windenberger** (45) **Date of Patent:** **\*\* May 11, 2021**

(54) **SURVEILLANCE CAMERA**

(71) Applicant: **BABYMOOV GROUP,**  
Clermont-Ferrand (FR)

(72) Inventor: **Laurent Windenberger,**  
Clermont-Ferrand (FR)

(\*\*) Term: **15 Years**

(21) Appl. No.: **35/508,059**

(22) Filed: **Sep. 20, 2019**

(80) **Hague Agreement Data**

Int. Filing Date: **Sep. 20, 2019**

Int. Reg. No.: **DM/204592**

Int. Reg. Date: **Sep. 20, 2019**

Int. Reg. Pub. Date: **Dec. 13, 2019**

(51) **LOC (13) Cl.** ..... **16-01**

(52) **U.S. Cl.**  
USPC ..... **D16/203**

(58) **Field of Classification Search**  
USPC ..... D16/200, 202-205, 208, 218, 219, 242  
CPC ..... G03B 17/02; G03B 17/04; G03B 17/56;  
G03B 19/04; G03B 15/03; H04N 5/2251;  
H04N 5/2252; H04N 5/2253; H04N  
5/2254

See application file for complete search history.

(56) **References Cited**

**U.S. PATENT DOCUMENTS**

5,224,675 A \* 7/1993 Ellenberger ..... F16M 11/10  
248/183.4  
D385,571 S \* 10/1997 Abrams ..... D16/203

D500,511 S \* 1/2005 Sybilrud ..... D16/203  
D510,589 S \* 10/2005 Andre ..... D16/202  
D558,250 S \* 12/2007 Hsia ..... D16/203  
D578,560 S \* 10/2008 Hsia ..... D16/203  
D589,996 S \* 4/2009 Kellar ..... D16/203  
D643,453 S \* 8/2011 Ham ..... D16/203  
D785,693 S \* 5/2017 Kim ..... D16/214  
D829,802 S \* 10/2018 Park ..... D16/203  
D832,329 S \* 10/2018 Li ..... D16/203  
D857,078 S \* 8/2019 Xue ..... D16/203  
D881,968 S \* 4/2020 Persson ..... D16/203

\* cited by examiner

*Primary Examiner* — Holly E Thurman

(57) **CLAIM**

The ornamental design for a surveillance camera, as shown and described.

**DESCRIPTION**

1. Surveillance camera

1.1 : Perspective

1.2 : Front

1.3 : Back

1.4 : Left

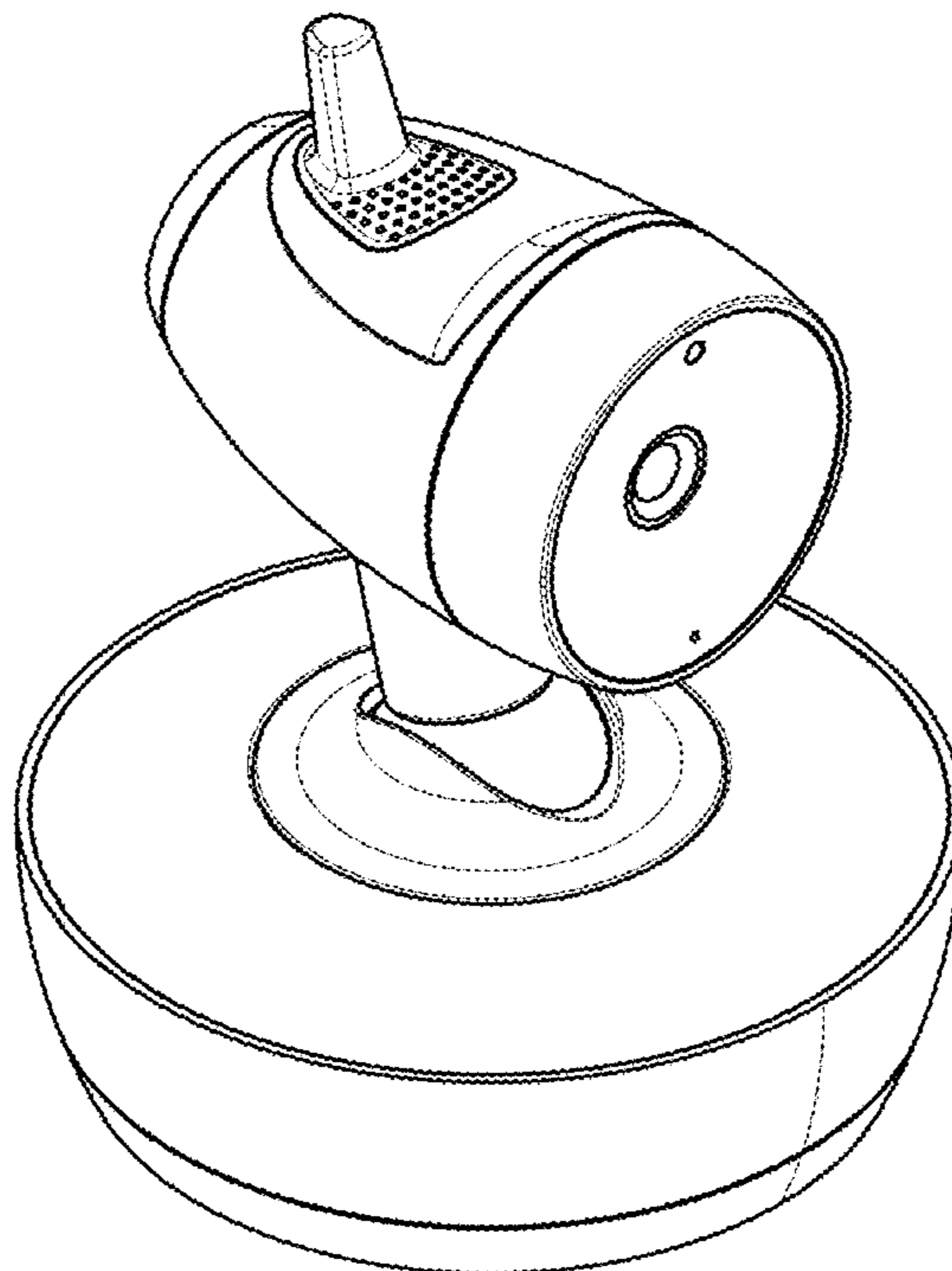
1.5 : Right

1.6 : Top

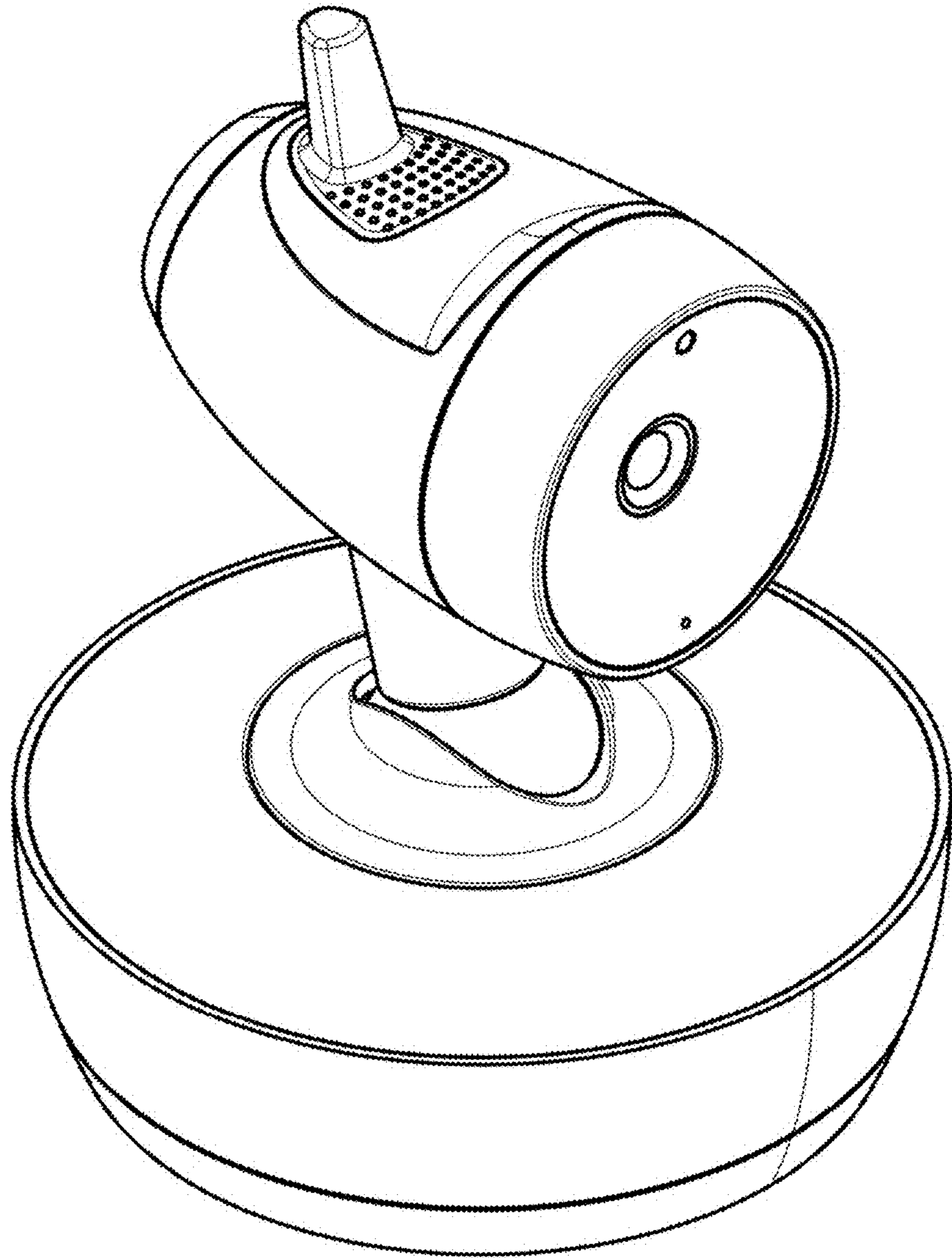
1.7 : Bottom

Elements drawn in broken lines represent elements which form no part of the claimed design.

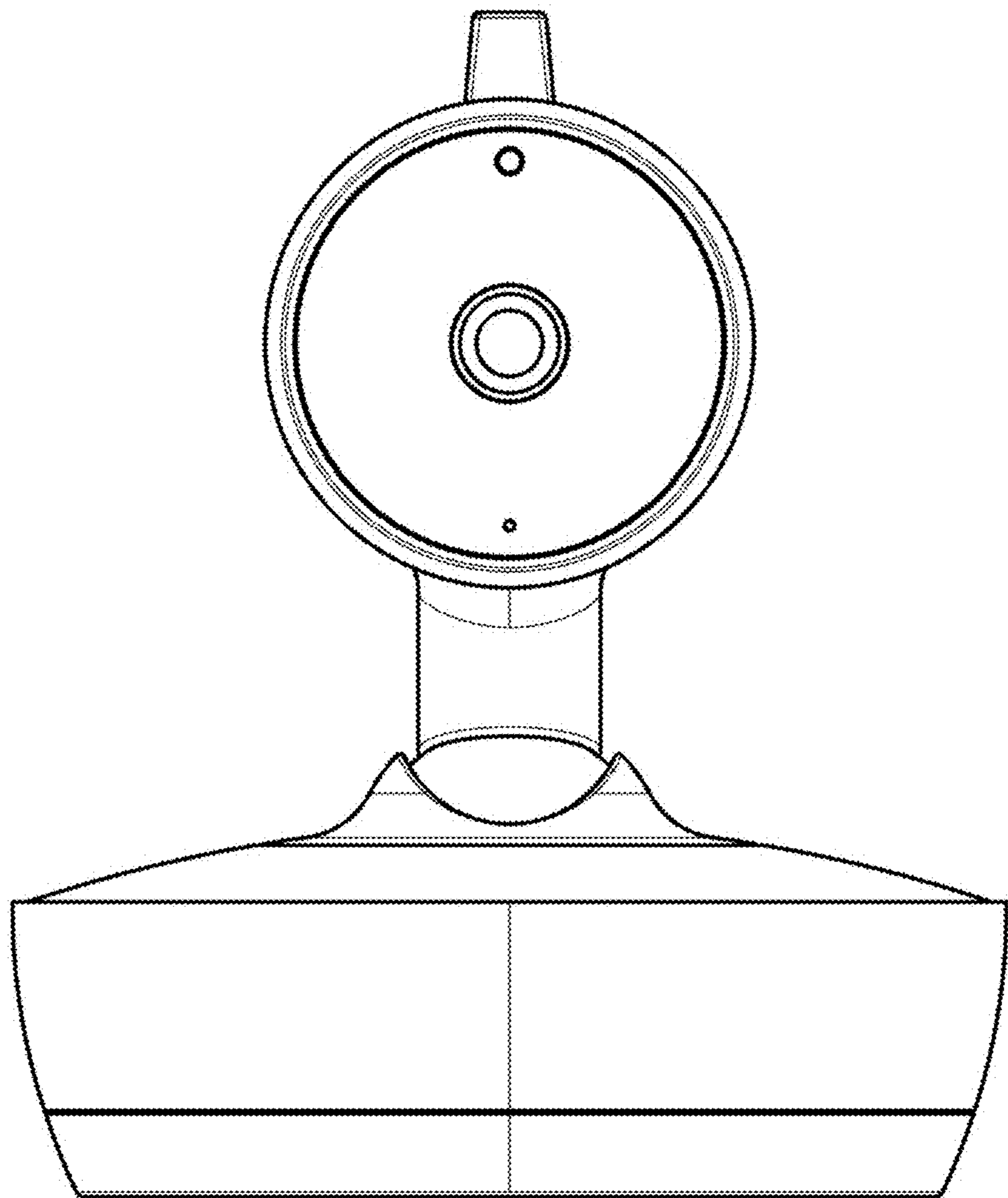
**1 Claim, 7 Drawing Sheets**

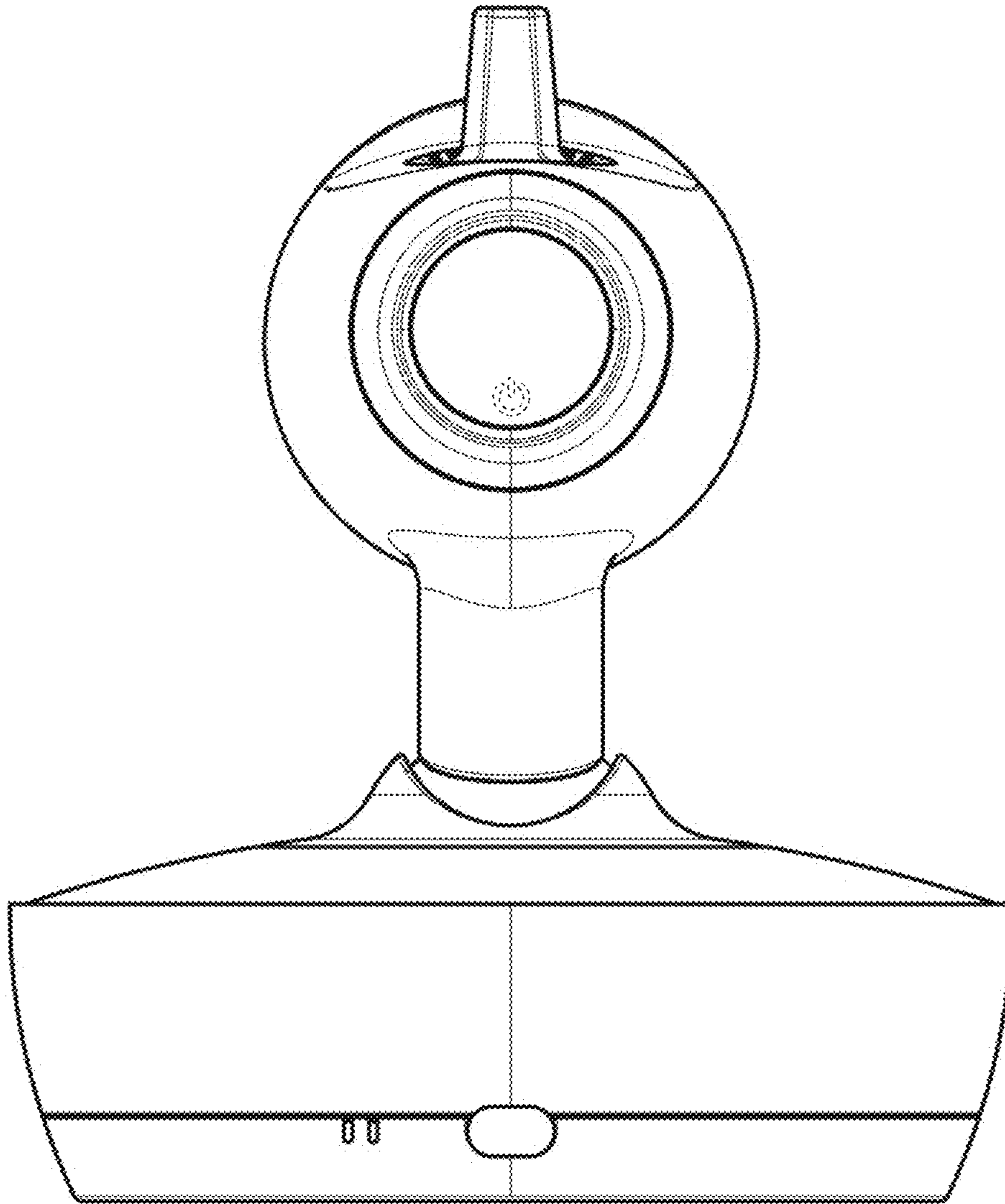


1.1



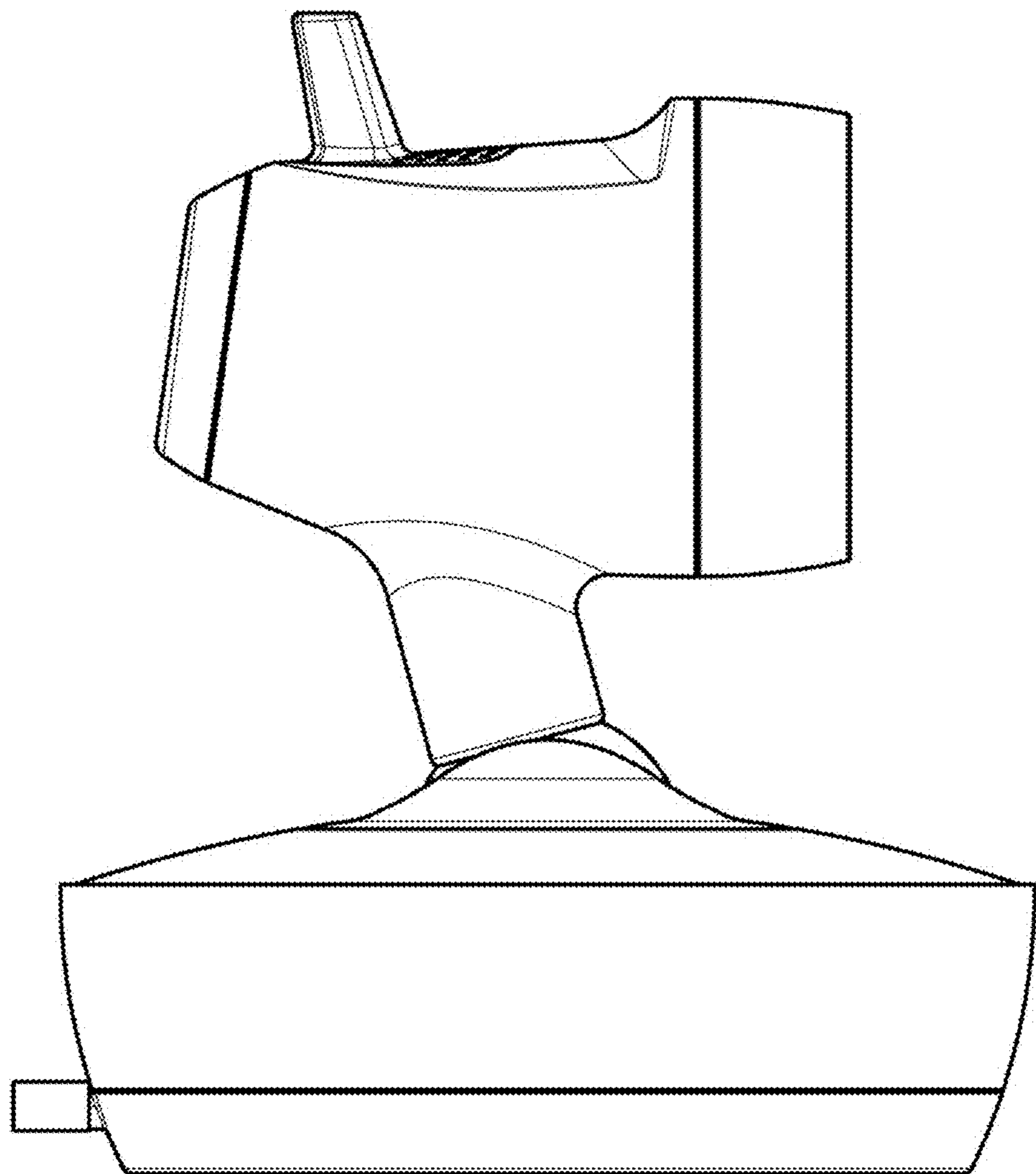
1.2



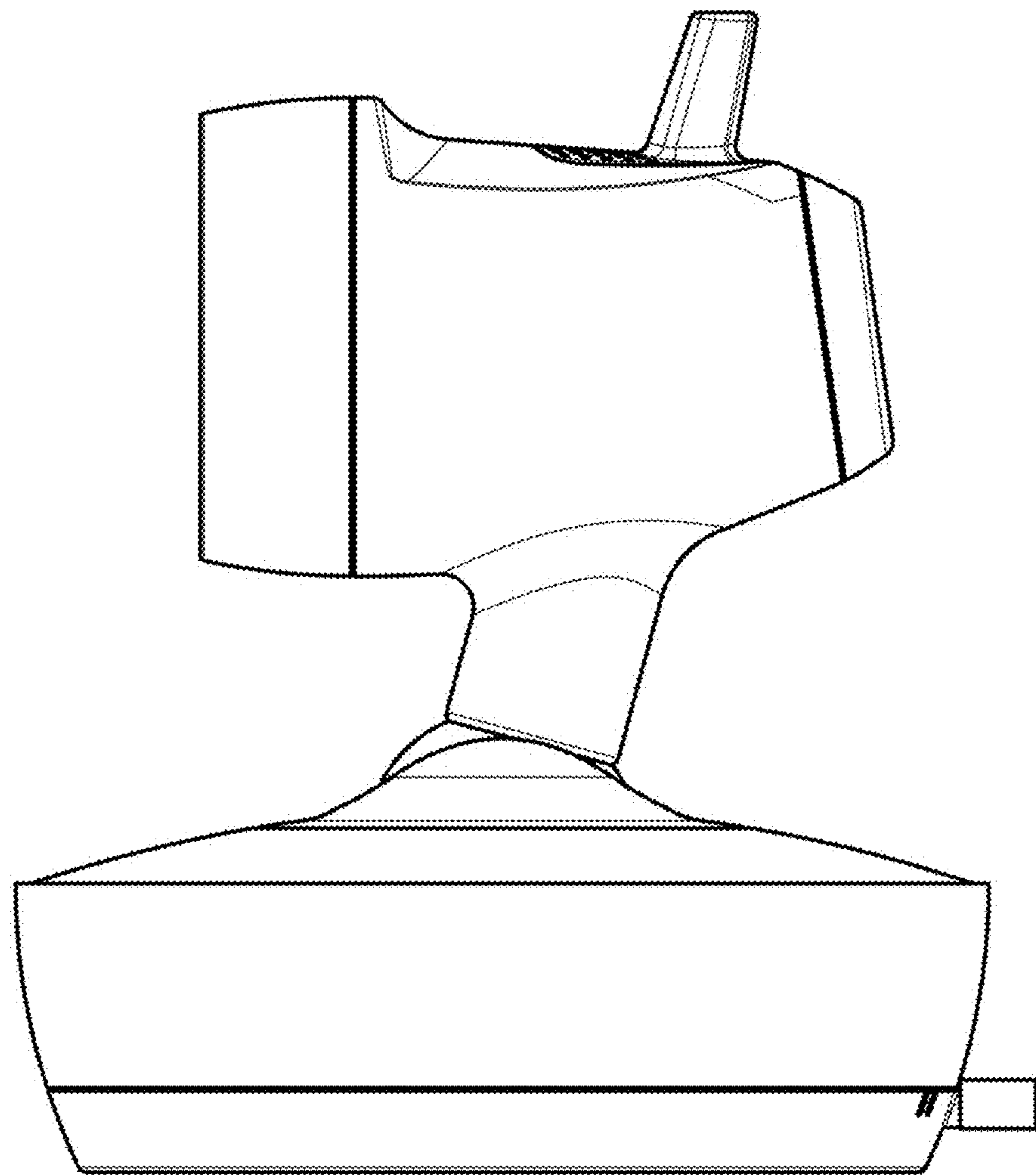


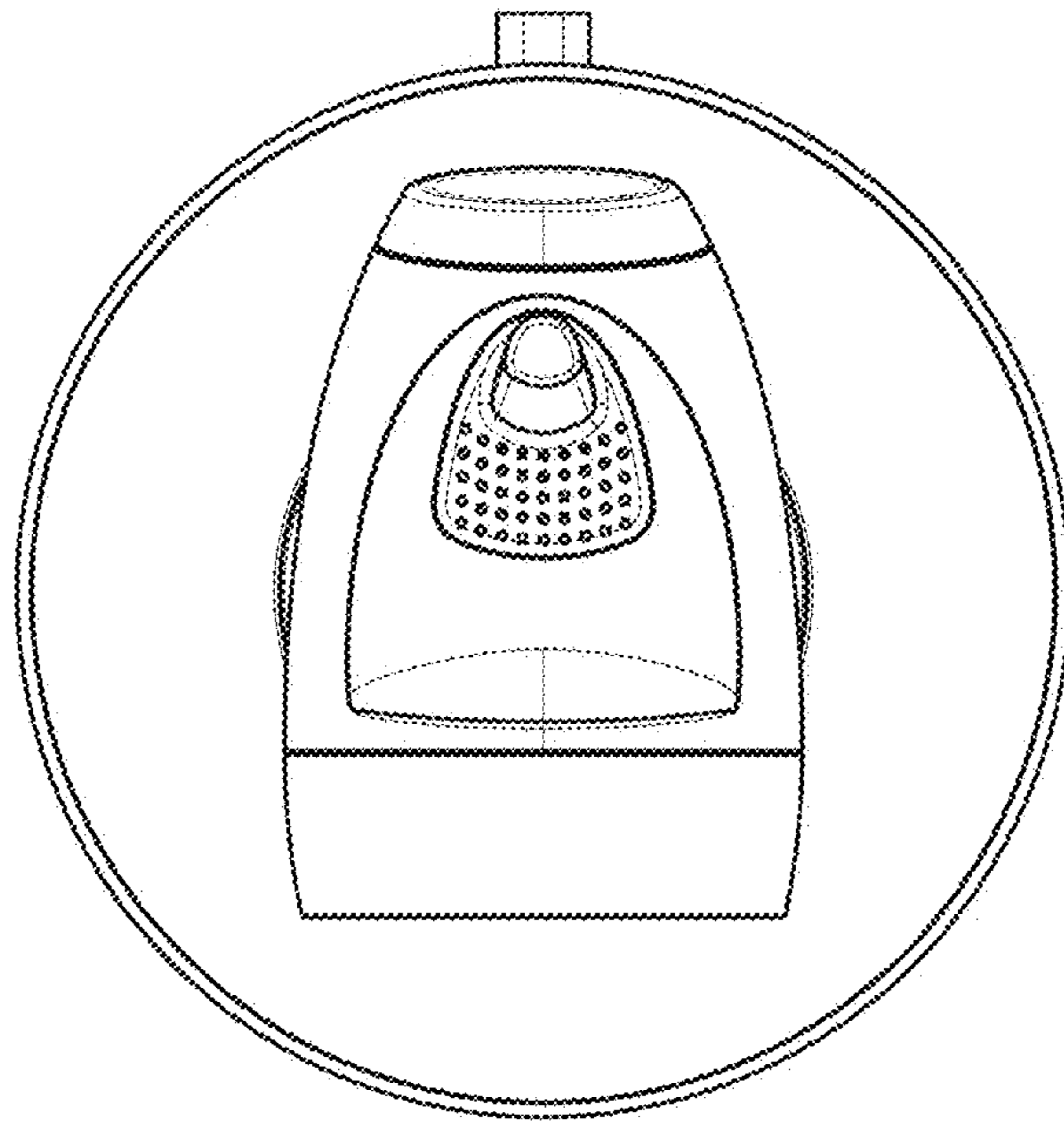
1.3

1.4

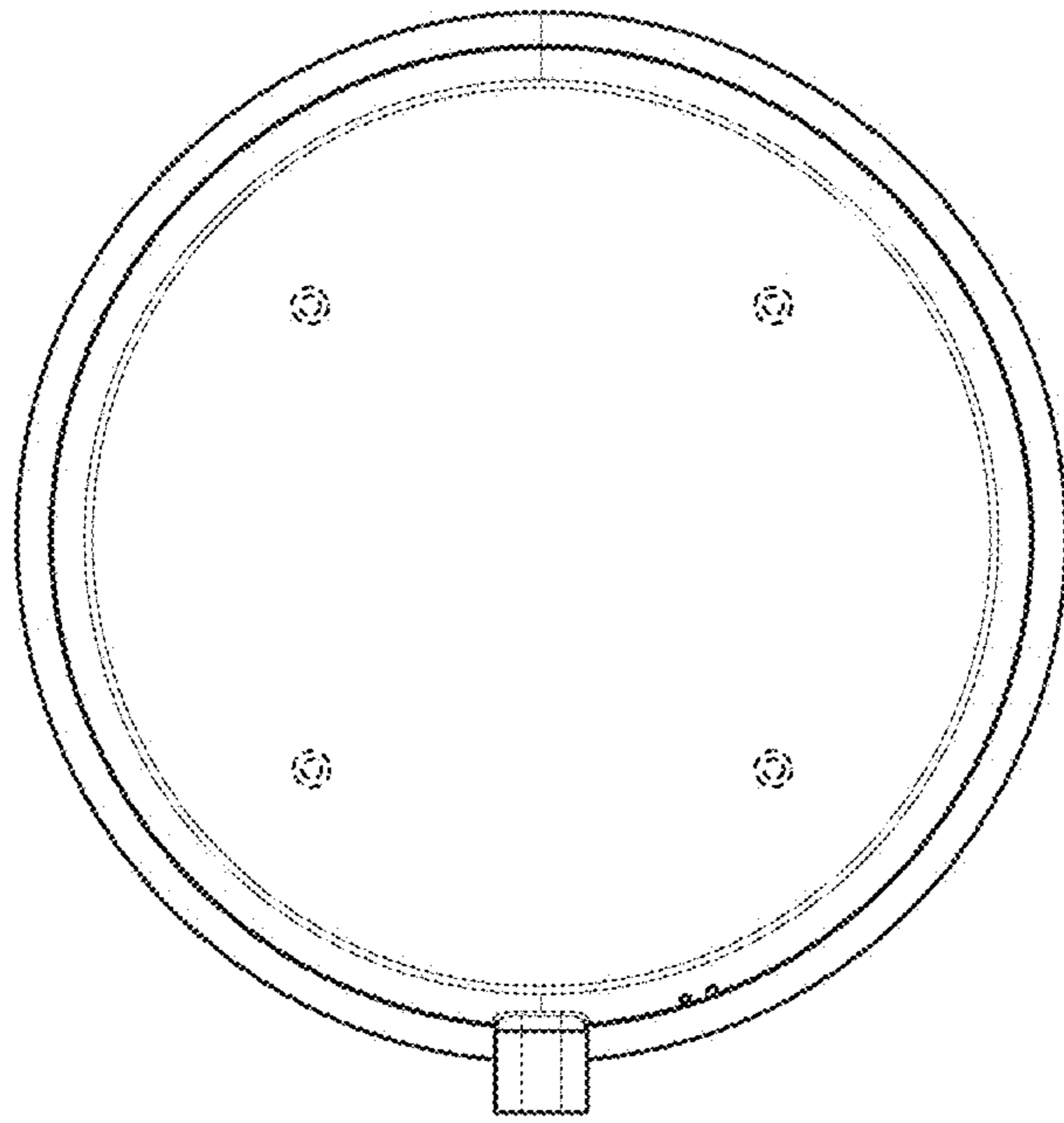


1.5





1.6



1.7