



US00D918984S

(12) **United States Design Patent**
Rosenkvist et al.

(10) **Patent No.:** **US D918,984 S**

(45) **Date of Patent:** **** May 11, 2021**

(54) **MONITORING CAMERA**

FOREIGN PATENT DOCUMENTS

(71) Applicant: **AXIS AB**, Lund (SE)

EM 000860234-0001 1/2008
EM 000860234-0002 1/2008

(72) Inventors: **Alexander Rosenkvist**, Sjobo (SE);
Sebastian Engwall, Lund (SE); **Louise Wiberg**, Malmo (SE); **Markus Carlsson**, Lund (SE)

(Continued)

Primary Examiner — Ramzi S Almatrahi

(74) *Attorney, Agent, or Firm* — Volpe Koenig

(73) Assignee: **AXIS AB**, Lund (SE)

(57) **CLAIM**

(**) Term: **15 Years**

The ornamental design for a monitoring camera, as shown and described.

(21) Appl. No.: **29/760,384**

(22) Filed: **Dec. 1, 2020**

DESCRIPTION

Related U.S. Application Data

(62) Division of application No. 29/697,481, filed on Jul. 9, 2019.

FIG. 1 is a top, front, right perspective view of a first embodiment of a monitoring camera in accordance with our design;

(30) **Foreign Application Priority Data**

Jan. 30, 2019 (EM) 006125027-0001
Jan. 30, 2019 (EM) 006125027-0002

FIG. 2 is a bottom, rear, left perspective view thereof;

(Continued)

FIG. 3 is a front elevational view thereof;

(51) **LOC (13) Cl.** **16-01**

(52) **U.S. Cl.**
USPC **D16/203**

FIG. 4 is a top plan view thereof;

(58) **Field of Classification Search**
USPC D16/200, 202–206, 218, 219, 242;
348/143, 148, 151, 373–376; 396/419,
396/427, 535, 539–541

FIG. 5 is a right side elevational view thereof;

(Continued)

FIG. 6 is a bottom plan elevational view thereof;

(56) **References Cited**

U.S. PATENT DOCUMENTS

D741,933 S * 10/2015 Bergstrom D16/203
D812,670 S * 3/2018 Andersson D16/203

FIG. 7 is a rear elevational view thereof; and

FIG. 8 is a left side elevational view thereof;

FIG. 9 is a top, front, right perspective view of a second embodiment of a monitoring camera in accordance with our design;

FIG. 10 is a bottom, rear, left perspective view thereof;

FIG. 11 is a front elevational view thereof;

FIG. 12 is a top plan view thereof;

FIG. 13 is a right side elevational view thereof;

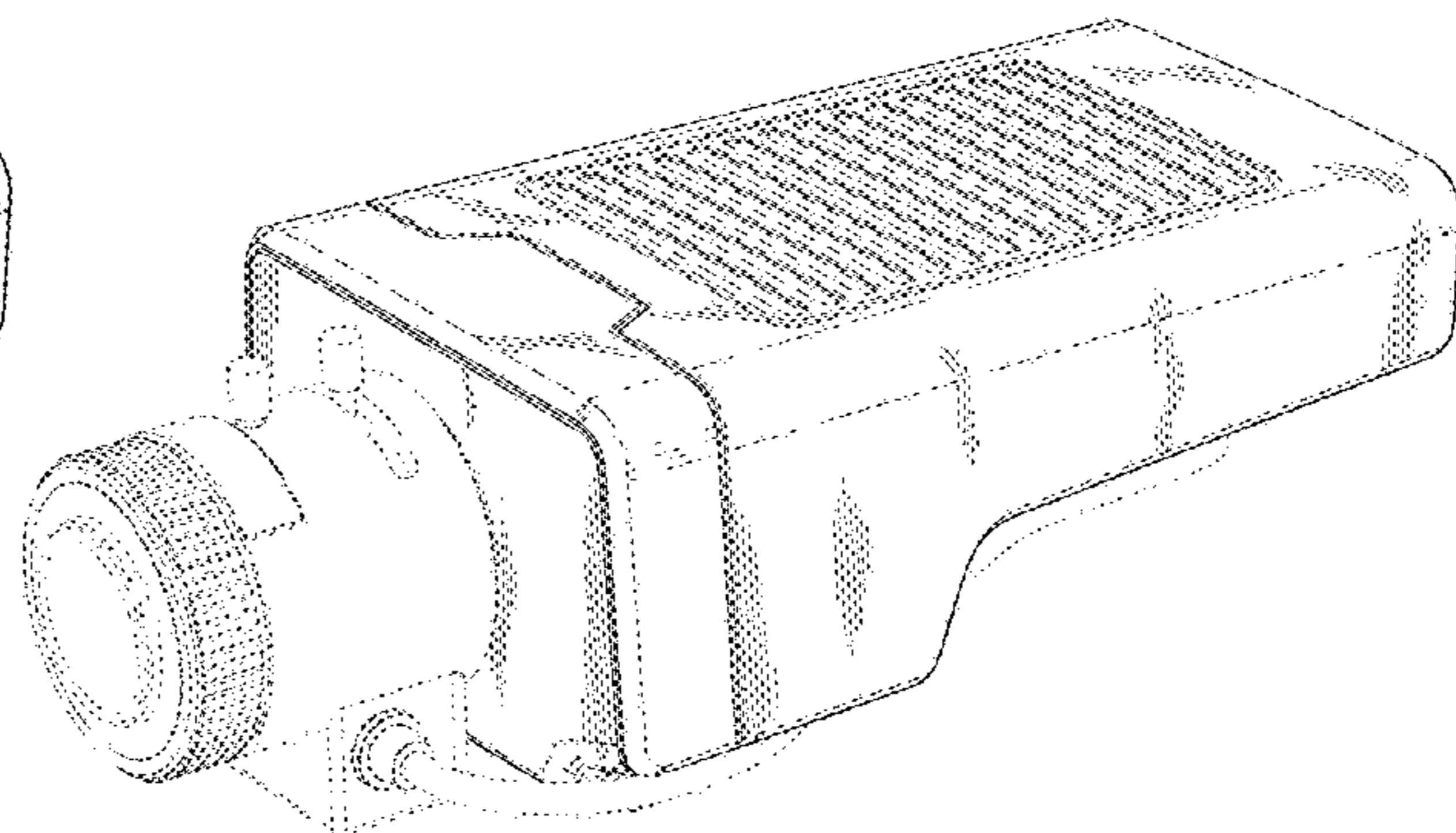
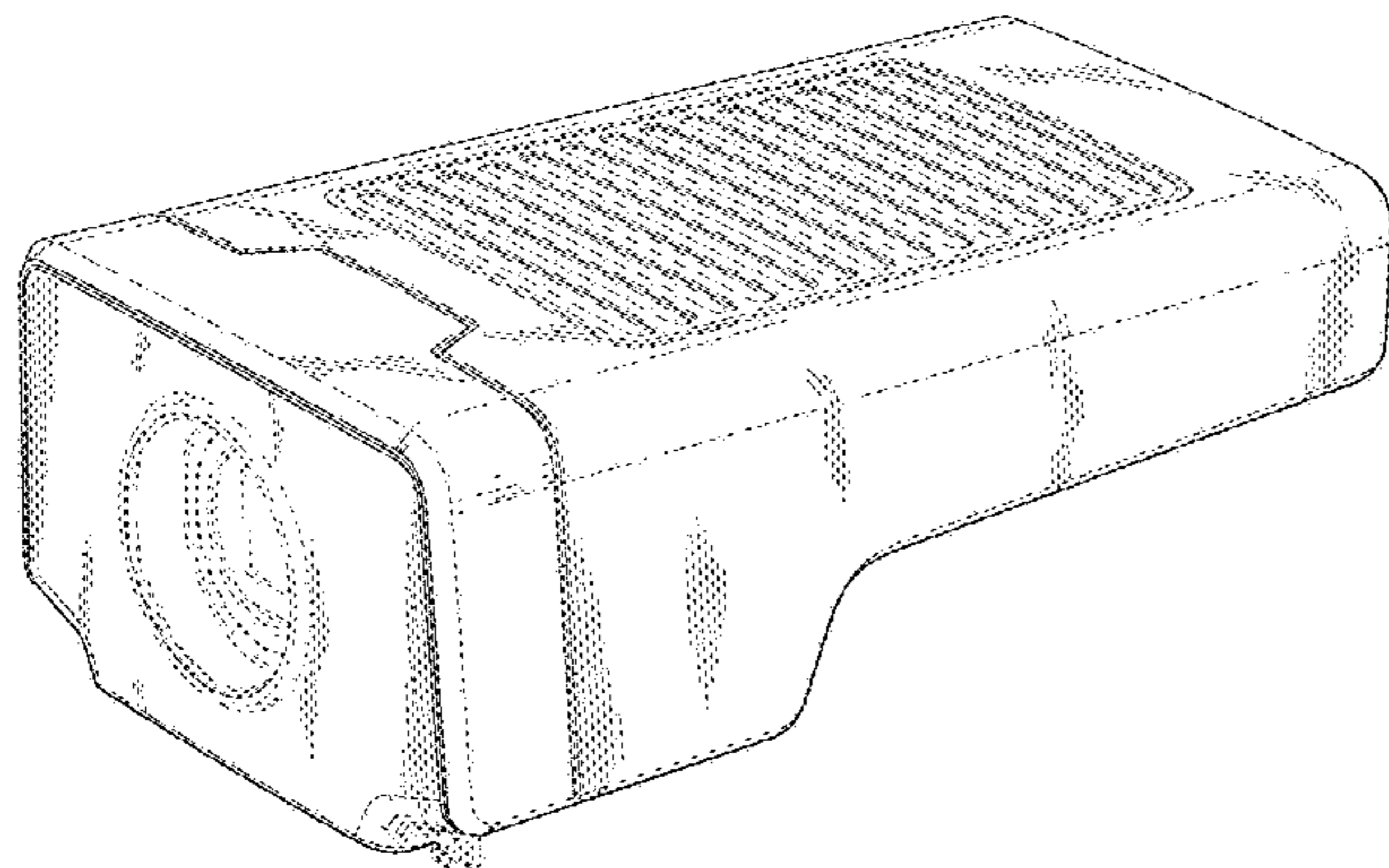
FIG. 14 is a bottom plan elevational view thereof;

FIG. 15 is a rear elevational view thereof; and,

FIG. 16 is a left side elevational view thereof.

The broken lines represent portions of the monitoring camera in which the design is embodied that form no part of the claimed design.

1 Claim, 8 Drawing Sheets



US D918,984 S

Page 2

(30) **Foreign Application Priority Data**

Jan. 30, 2019 (EM) 006125027-0003
Jan. 30, 2019 (EM) 006125027-0004

(58) **Field of Classification Search**

CPC G03B 17/02; G03B 19/04; G03B 17/56;
G03B 17/04; G03B 15/03; H04N 5/2251;
H04N 5/2252; H04N 5/2253; H04N
5/2254; H04N 7/181; H04N 7/183; H04N
7/18; G08B 13/1963; G08B 13/19619;
G08B 13/19632; F16M 11/04; F16M
13/00

See application file for complete search history.

(56) **References Cited**

U.S. PATENT DOCUMENTS

D827,013 S * 8/2018 Ahman D16/203
D834,632 S * 11/2018 Ahman D16/203
D835,697 S * 12/2018 Andersson D16/203
D849,093 S * 5/2019 Bull D16/203
D849,097 S * 5/2019 Bull D16/203

D876,510 S * 2/2020 Garre D16/203
D876,512 S * 2/2020 Garre D16/203
D885,457 S * 5/2020 Vozzi D16/203
D885,458 S * 5/2020 Vozzi D16/203
D885,460 S * 5/2020 Vozzi D16/203
D900,908 S * 11/2020 Vozzi D16/203

FOREIGN PATENT DOCUMENTS

EM 000860234-0003 1/2008
EM 002655027-0001 3/2015
EM 002655027-0002 3/2015
EM 003421262-0001 10/2016
EM 003421262-0002 10/2016
EM 003421262-0003 10/2016
EM 005287315-0001 5/2018
EM 005287315-0002 5/2018
EM 005287315-0003 5/2018
EM 005287315-0004 5/2018
TW D173898 2/2016
TW D180747 1/2017
TW D181783 3/2017
TW D187033 12/2017

* cited by examiner

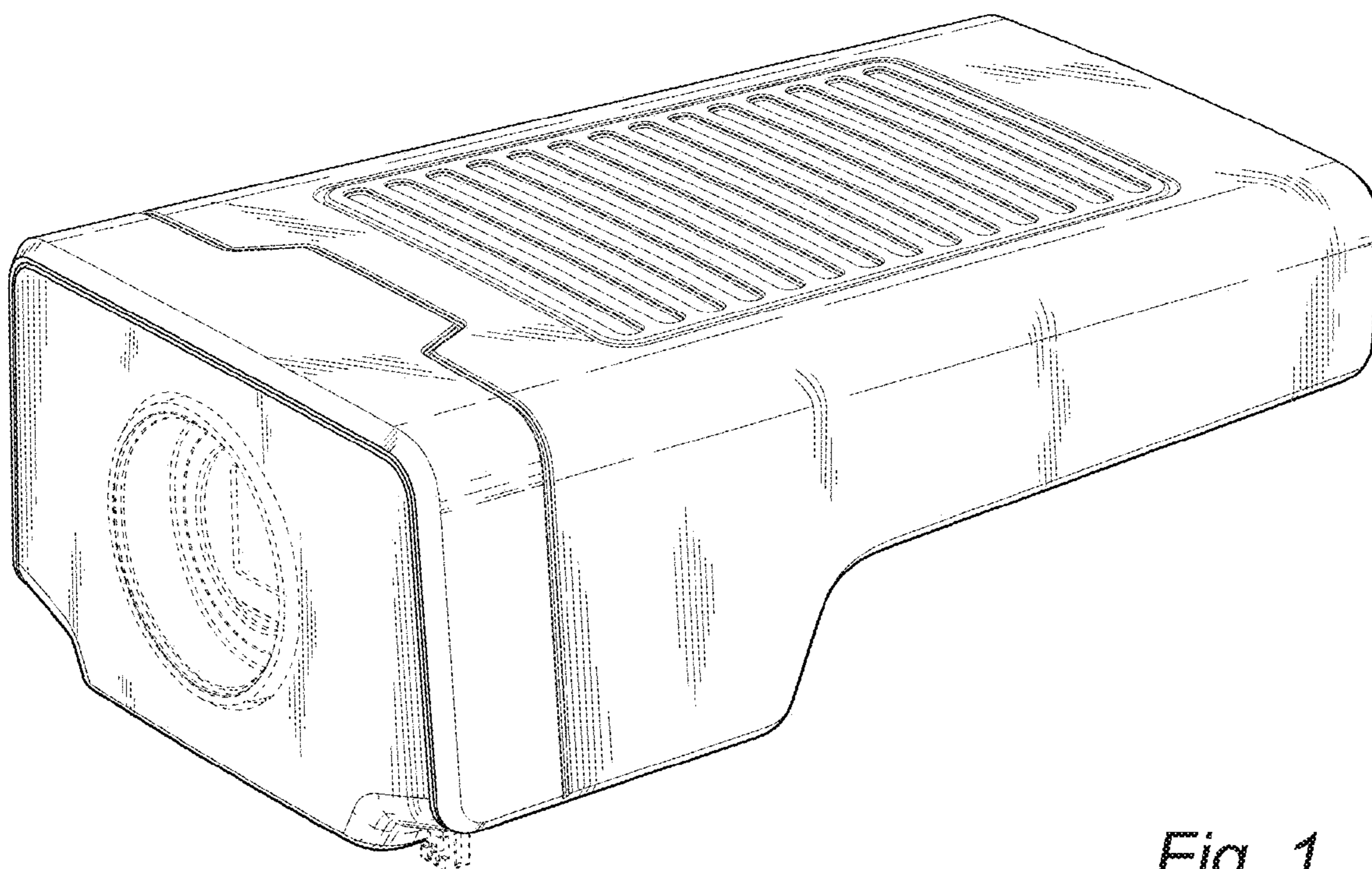


Fig. 1

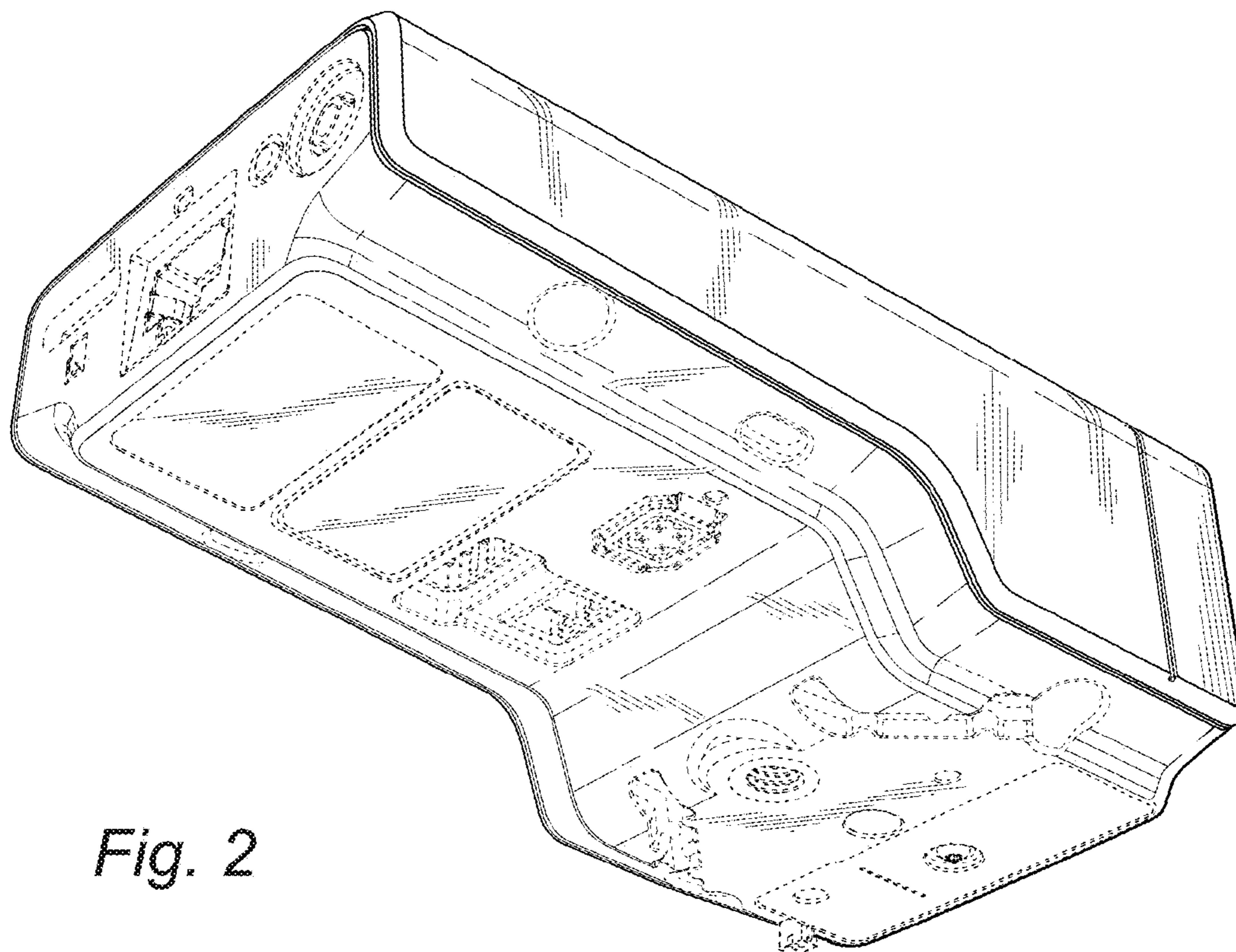


Fig. 2

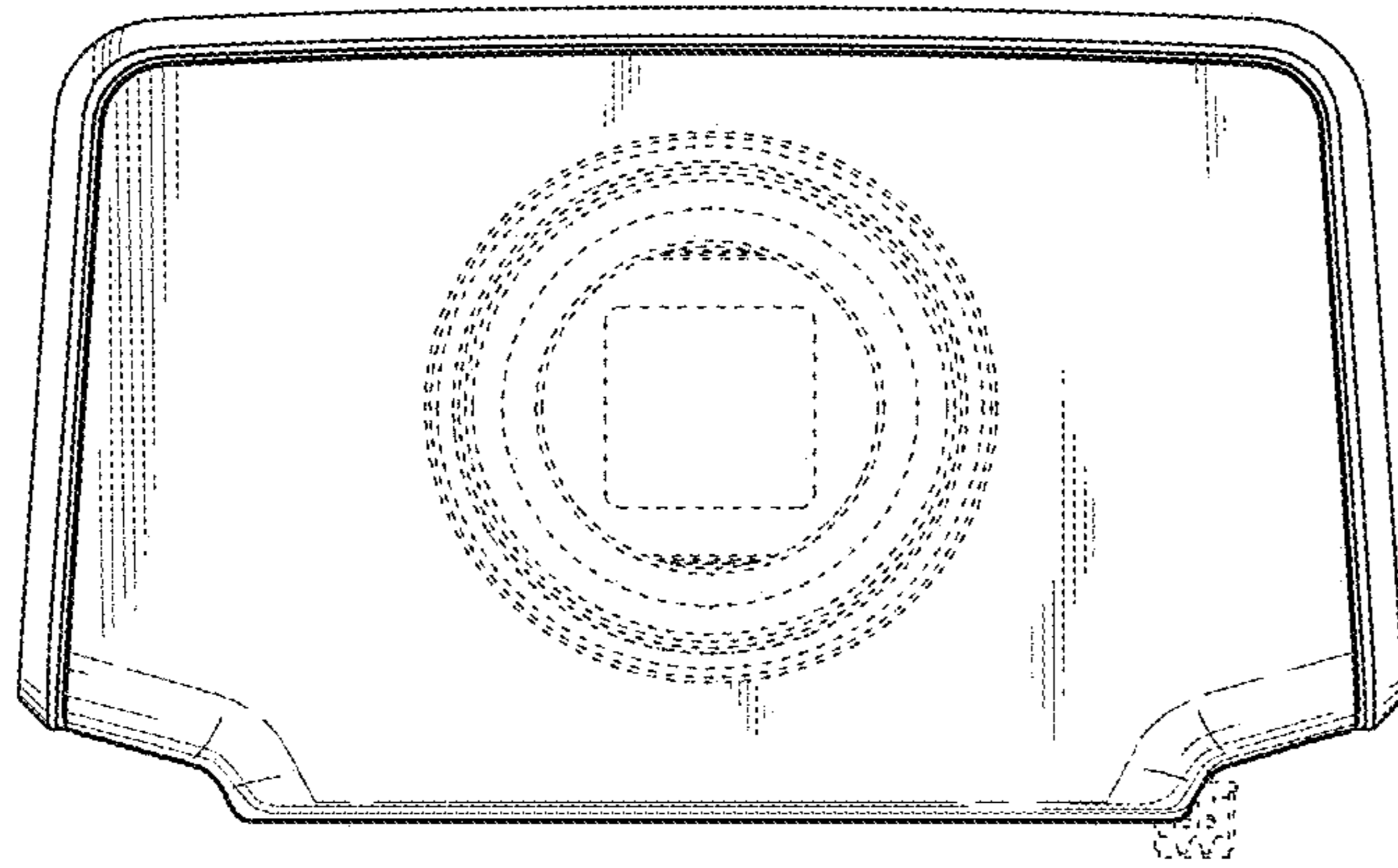


Fig. 3

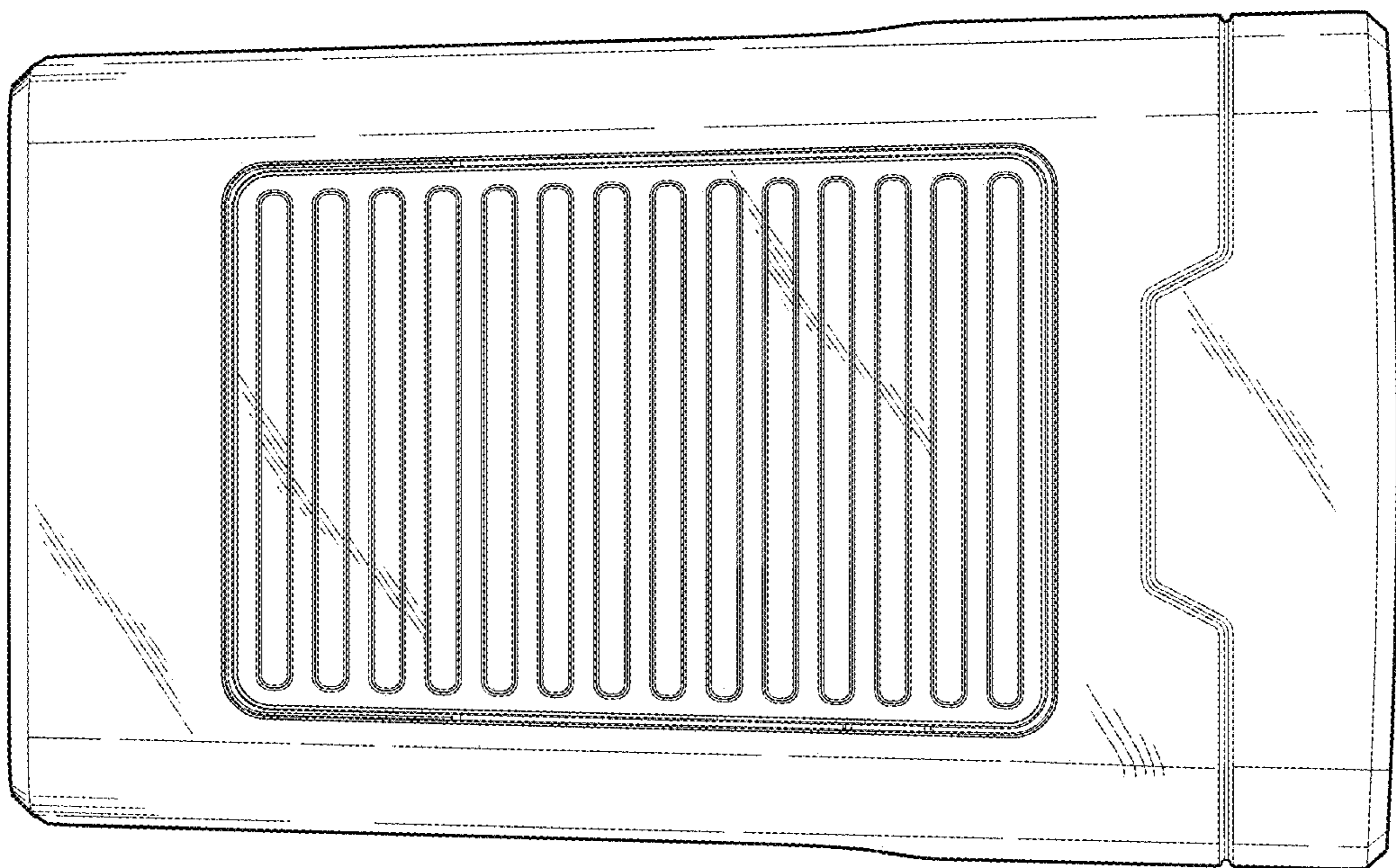


Fig. 4

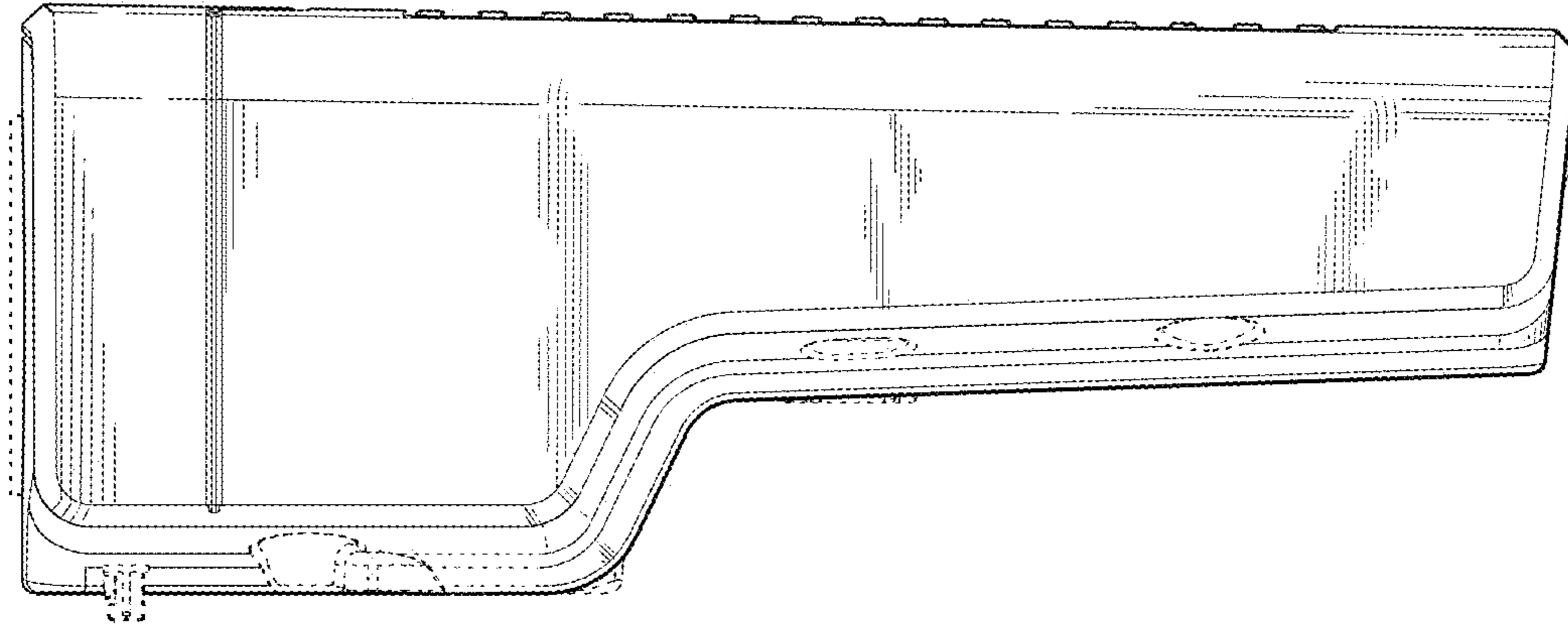


Fig. 5

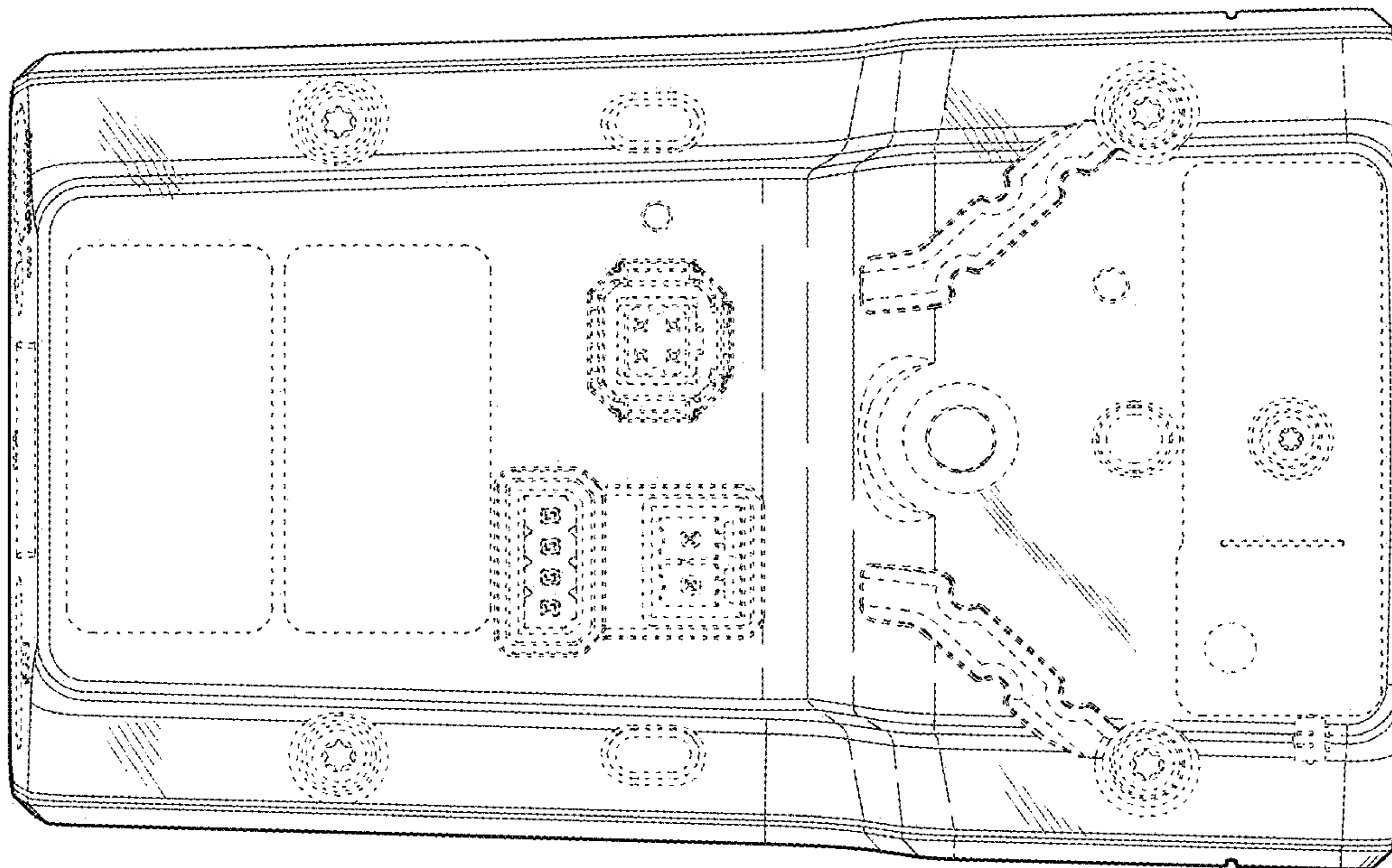


Fig. 6

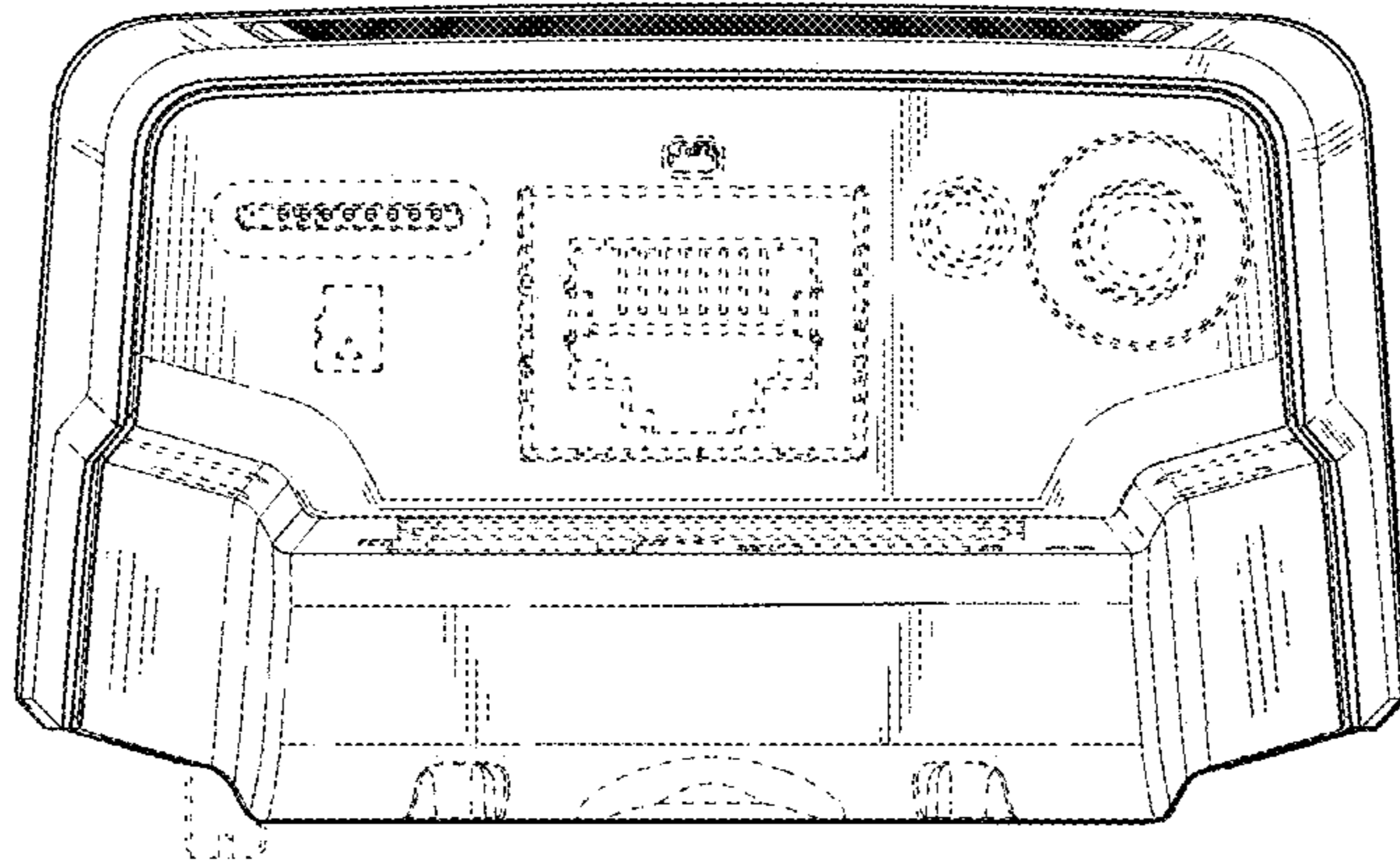


Fig. 7

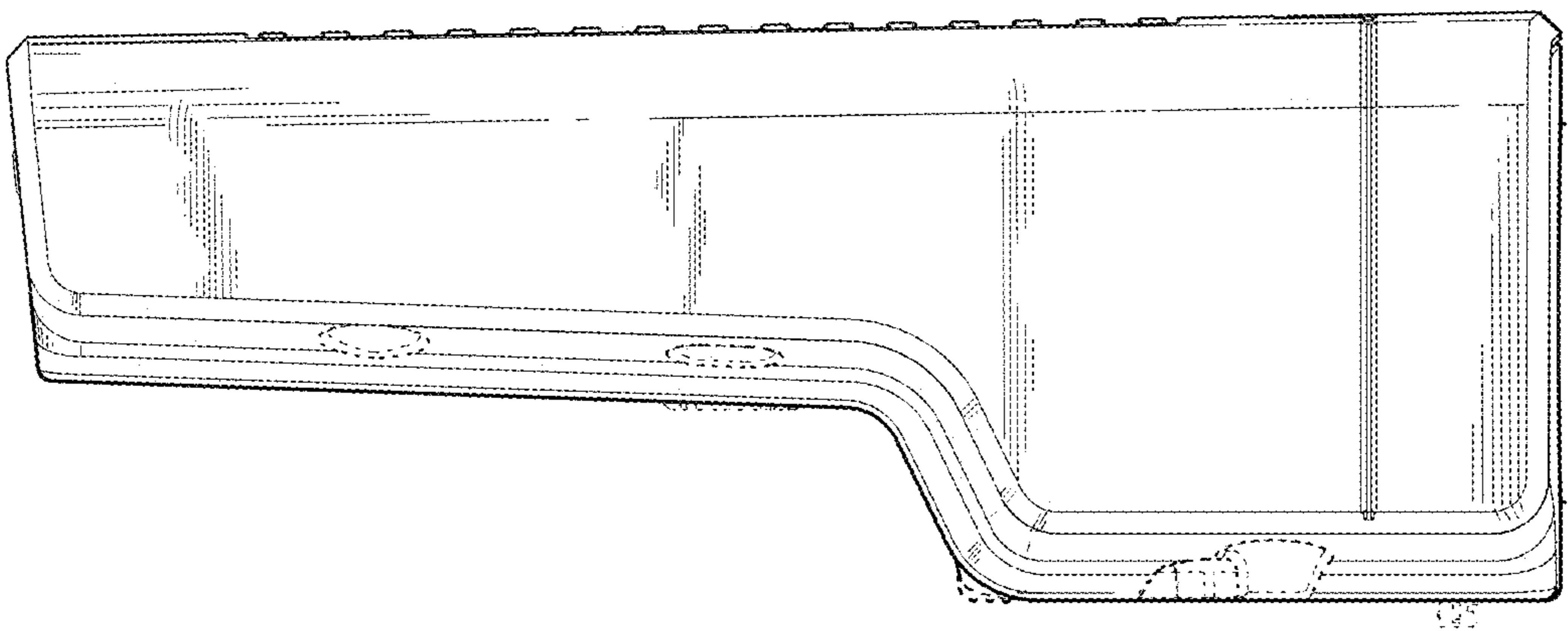


Fig. 8

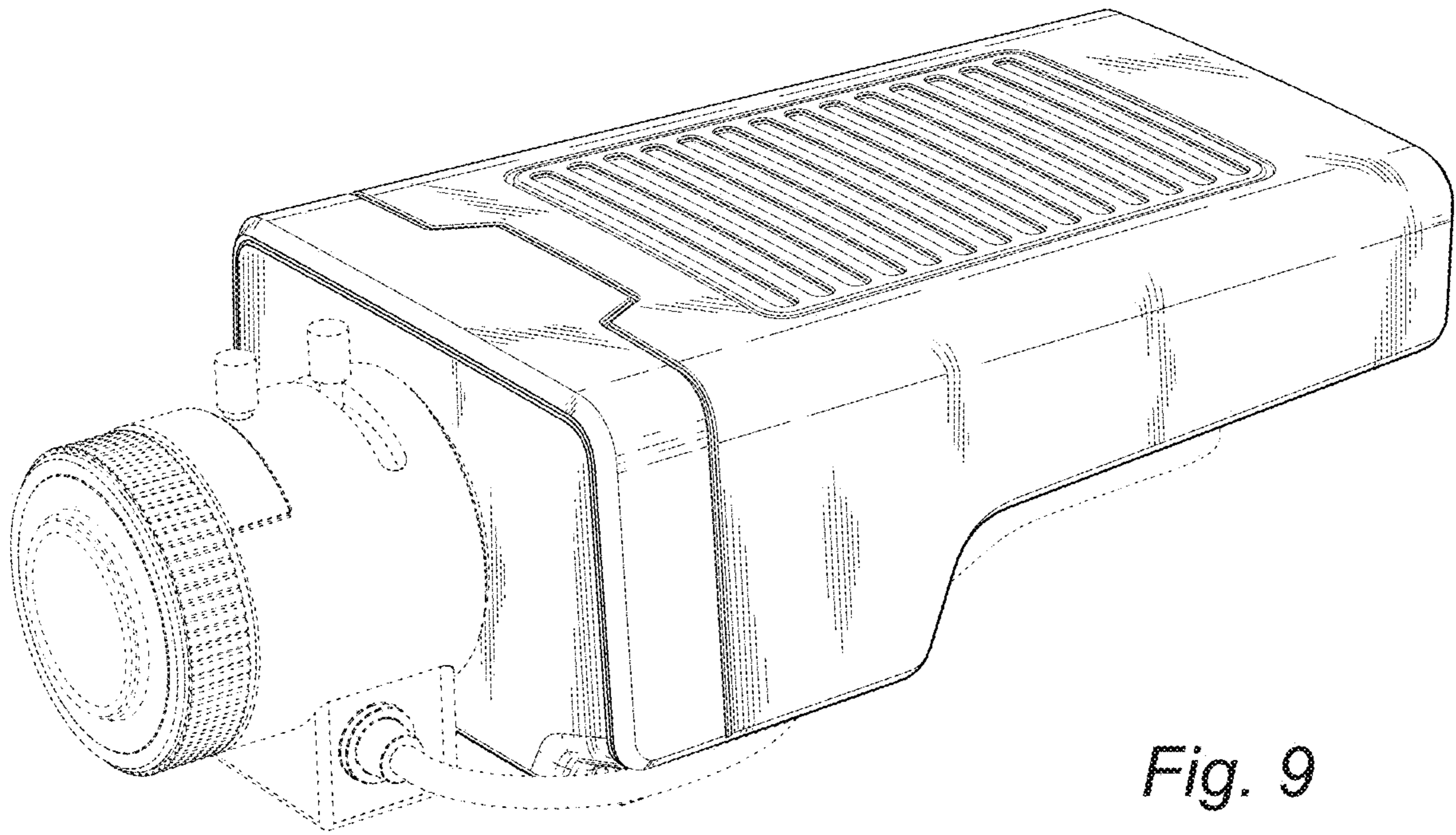


Fig. 9

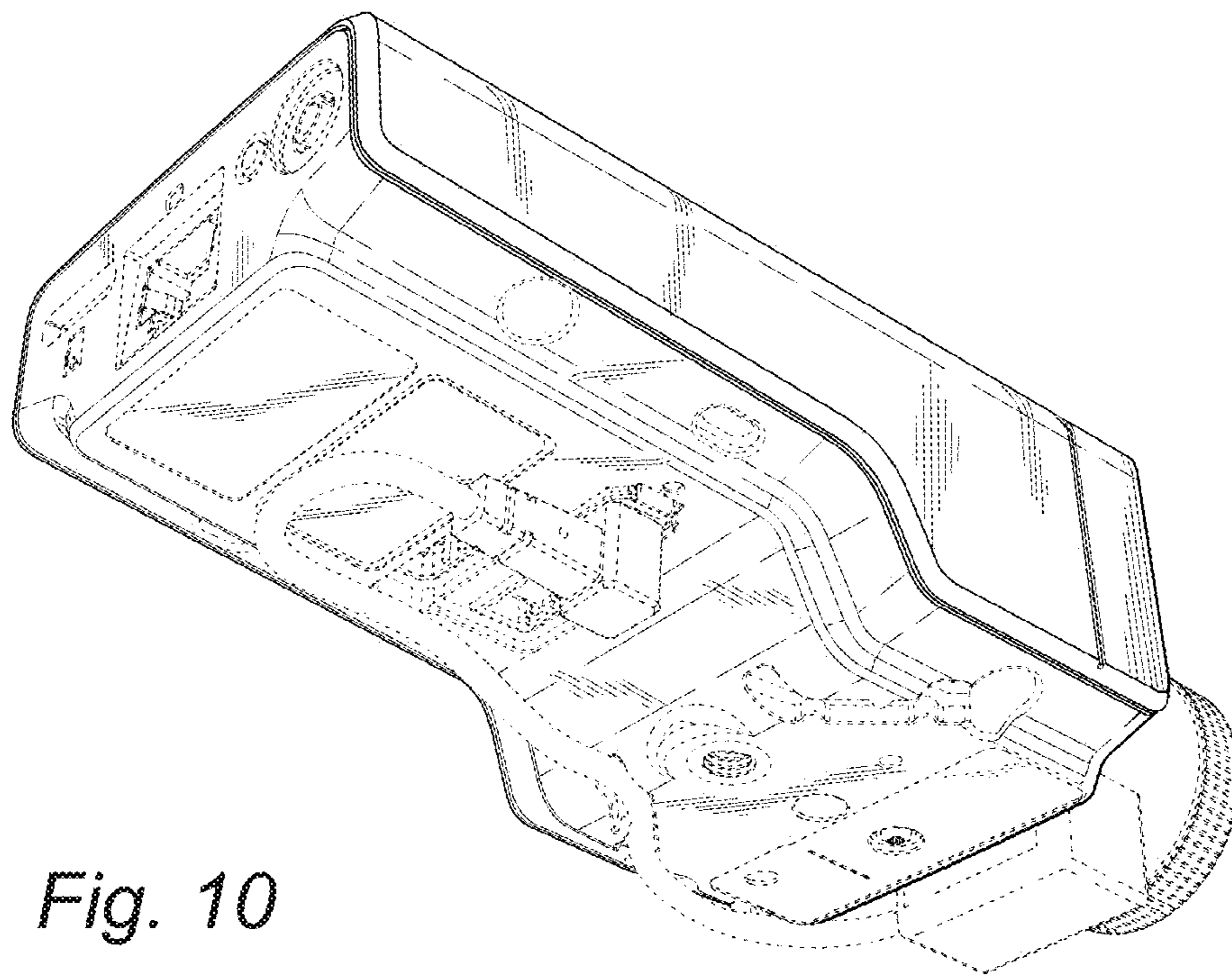


Fig. 10

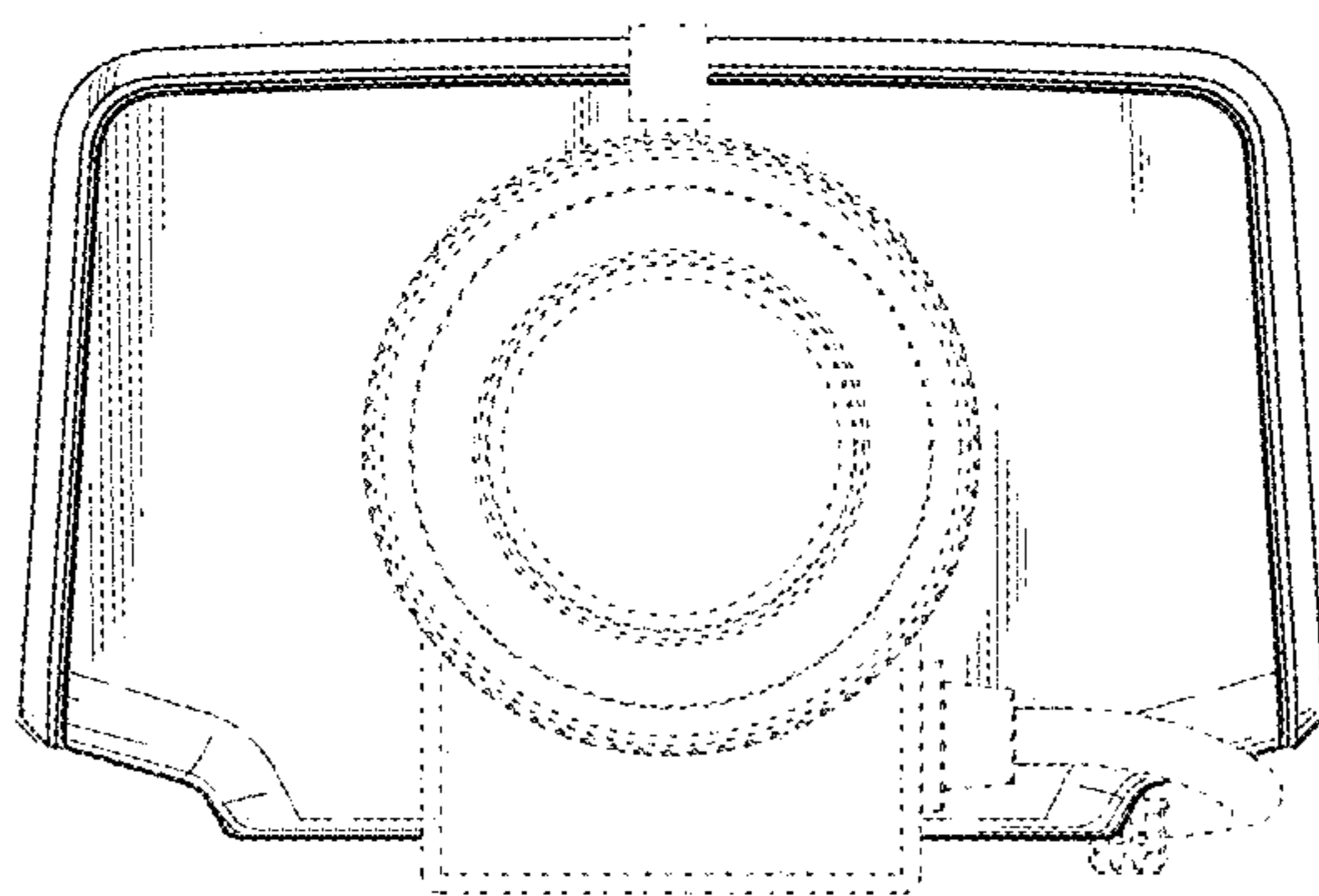


Fig. 11

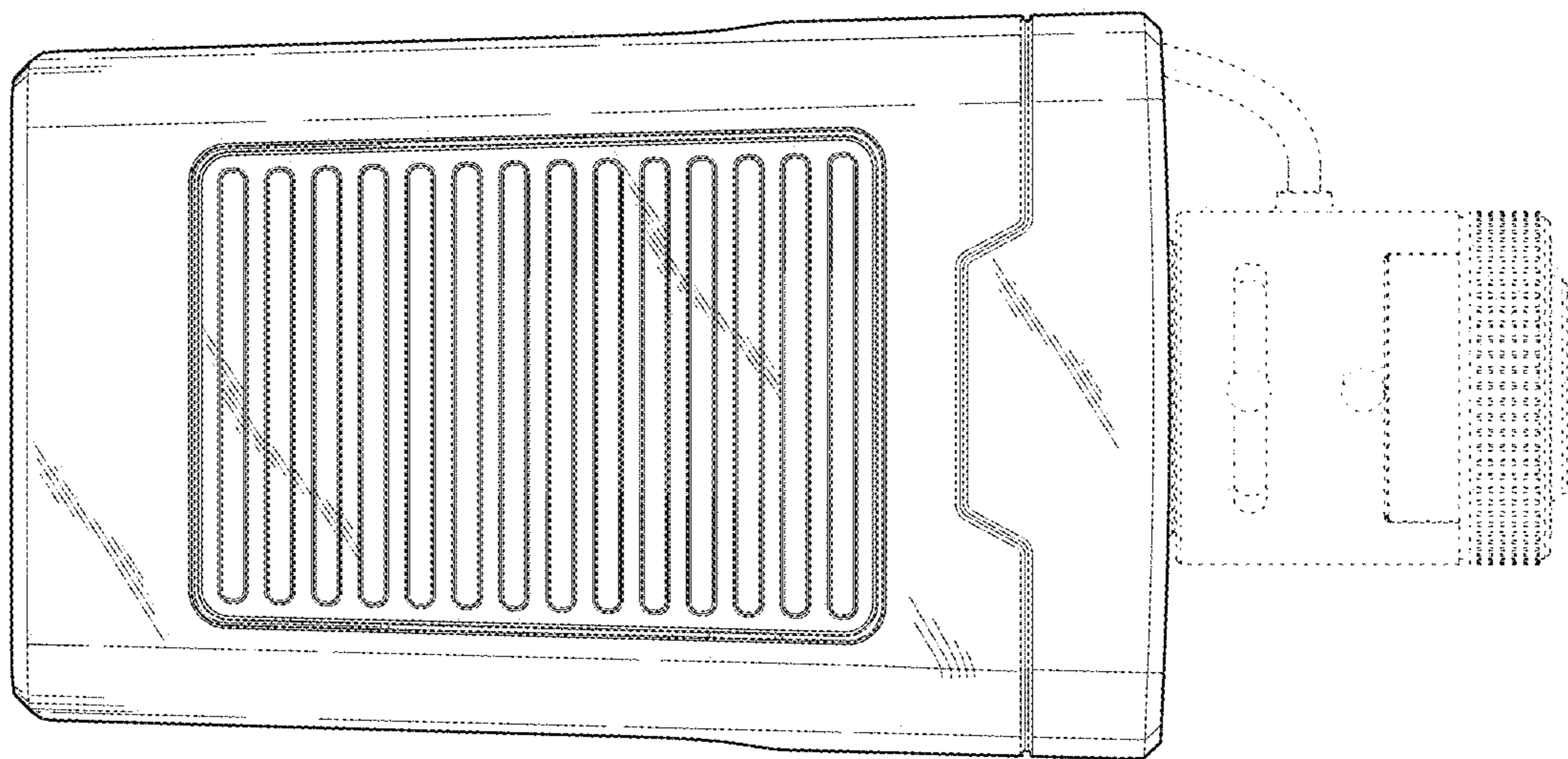


Fig. 12

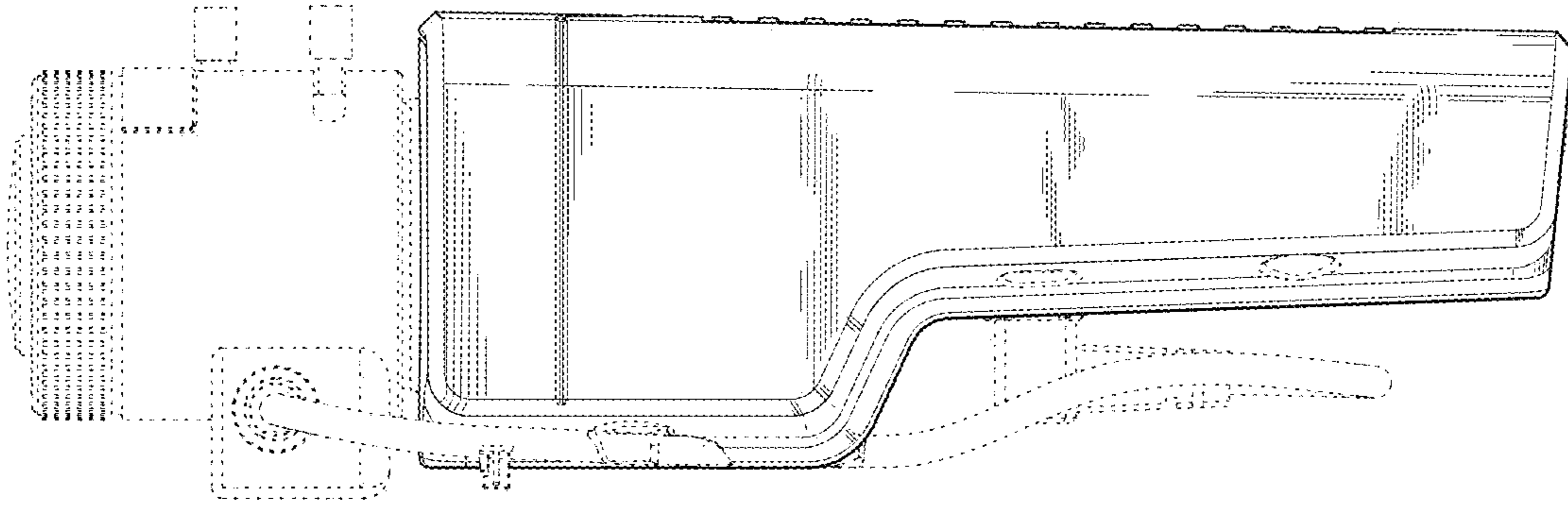


Fig. 13

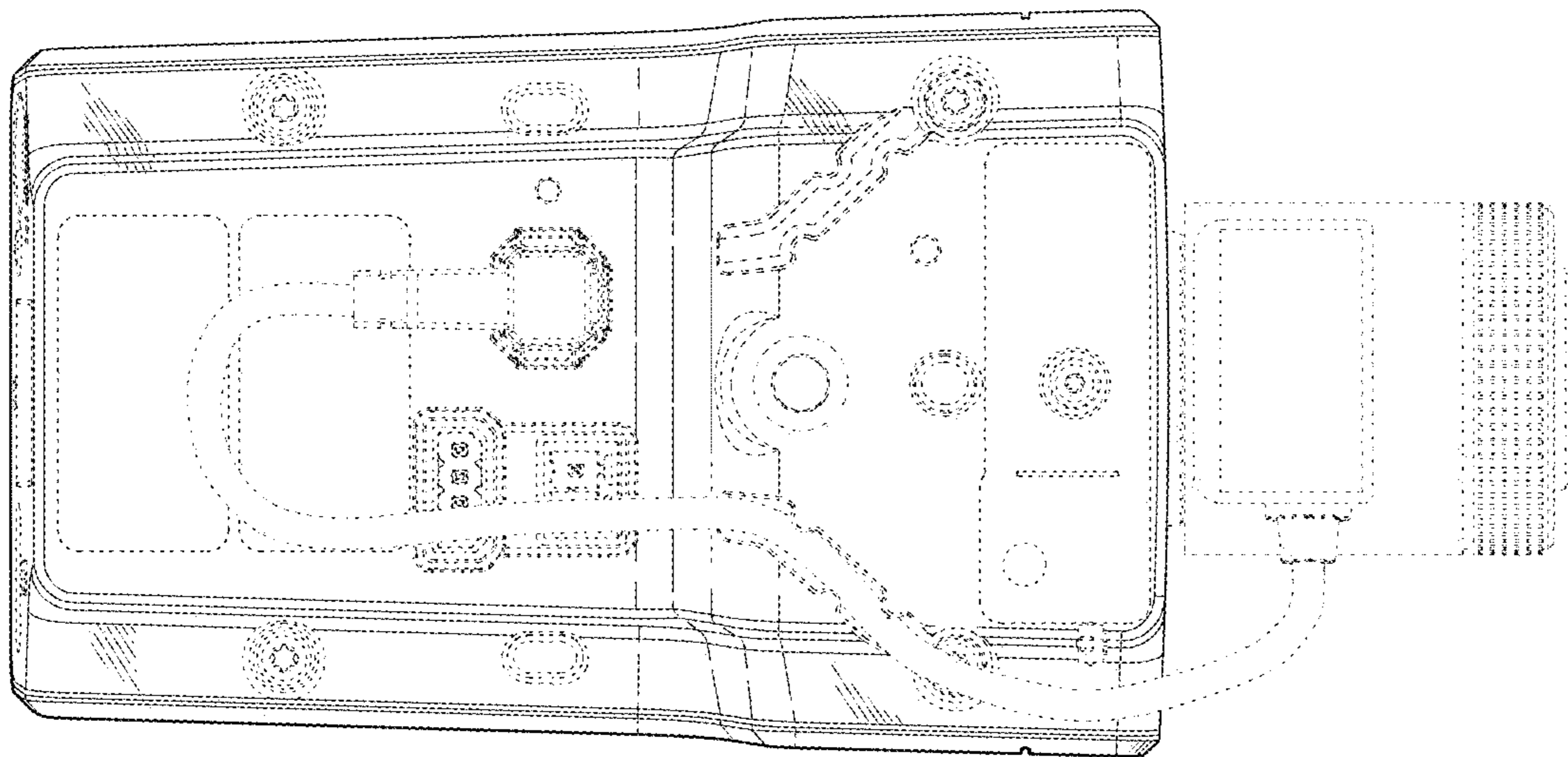


Fig. 14

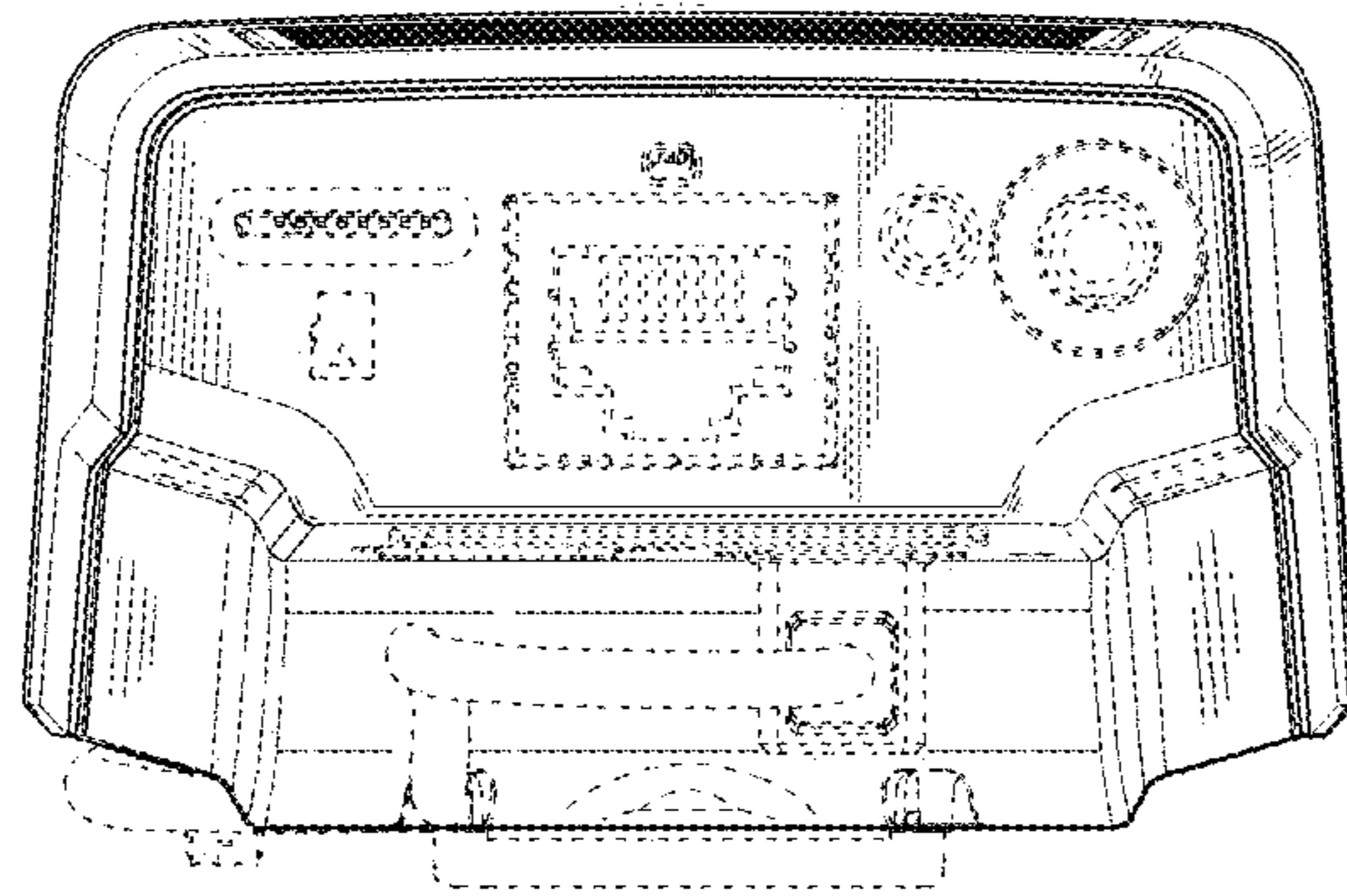


Fig. 15

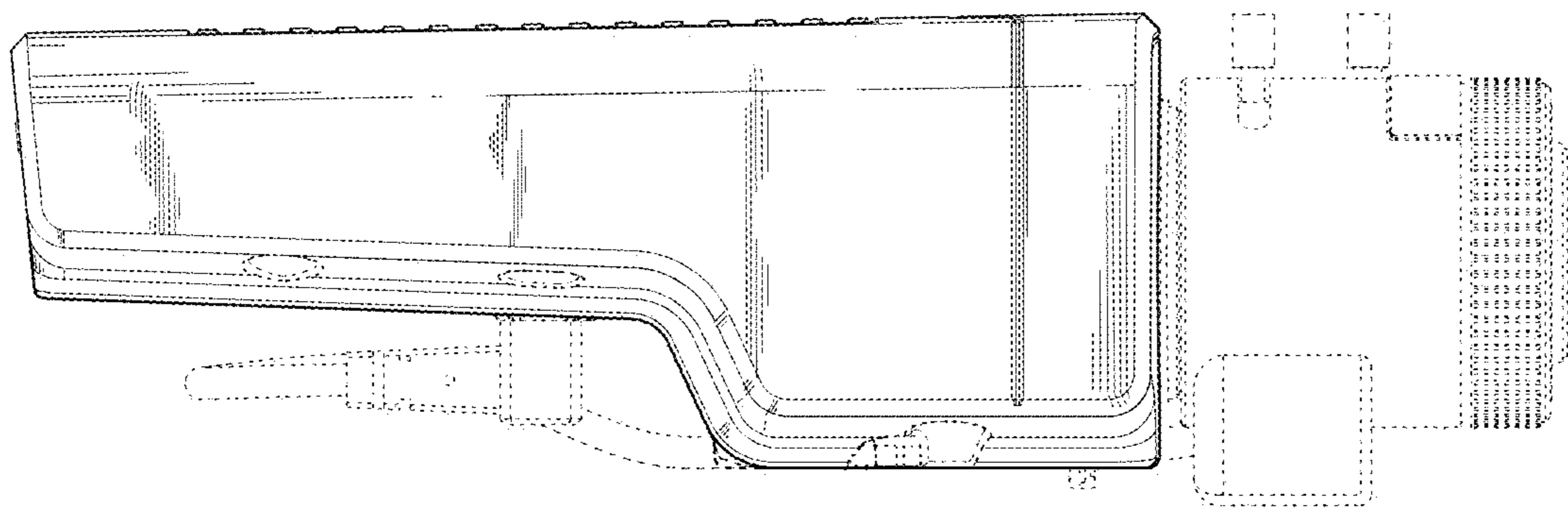


Fig. 16