



US00D918983S

(12) **United States Design Patent**
Moy et al.

(10) **Patent No.:** **US D918,983 S**
(45) **Date of Patent:** **** May 11, 2021**

(54) **CAMERA AND AUDIO INPUT/OUTPUT DEVICE**

(71) Applicant: **Ademco Inc.**, Golden Valley, MN (US)

(72) Inventors: **Brian Moy**, Arden Hills, MN (US);
Ryan Thorsen, Minneapolis, MN (US);
Rajat Shail, Stevensville, MI (US);
Travis Read, Little Canada, MN (US)

(73) Assignee: **Ademco Inc.**, Golden Valley, MN (US)

(**) Term: **15 Years**

(21) Appl. No.: **29/692,671**

(22) Filed: **May 28, 2019**

(51) **LOC (13) Cl.** **16-01**

(52) **U.S. Cl.**
USPC **D16/203**

(58) **Field of Classification Search**
USPC D16/200, 202–205, 208, 214, 218, 219,
D16/242; D14/204, 209.1, 496, 497;
348/14.01–14.06, 143, 148, 151,
348/373–376; 396/419, 427, 535,
396/539–541
CPC G03B 17/02; G03B 19/04; G03B 17/56;
G03B 17/04; G03B 15/03; H04N 5/2251;
H04N 5/2252; H04N 5/2253; H04N
5/2254; H04N 2007/145; H04N 7/141;
H04N 7/142; H04N 7/147; H04N 7/148;
H04N 7/15; H04N 7/152
See application file for complete search history.

(56) **References Cited**

U.S. PATENT DOCUMENTS

D518,080 S	*	3/2006	Uehara	D16/202
D709,118 S	*	7/2014	Yu	D16/204
D712,292 S		9/2014	Yang et al.		
D727,388 S	*	4/2015	Huang	D16/214
D728,655 S	*	5/2015	Daniel	D16/203
D731,906 S		6/2015	Troutman et al.		

D747,383 S		1/2016	Li		
D776,740 S	*	1/2017	Okawa	D16/203
D798,935 S	*	10/2017	Dimitriadis	D16/203
D813,213 S		3/2018	Honda		
D842,358 S	*	3/2019	Puric	D16/203
D848,502 S	*	5/2019	Puric	D16/203
D849,095 S	*	5/2019	Puric	D16/203
D862,560 S	*	10/2019	Moy	D16/203
D875,165 S	*	2/2020	Moy	D16/219
D899,482 S	*	10/2020	Li	D16/203
D902,884 S	*	11/2020	Wang	D14/204

* cited by examiner

Primary Examiner — Ramzi S Almatrahi

(74) *Attorney, Agent, or Firm* — Fredrikson & Byron, P.A.

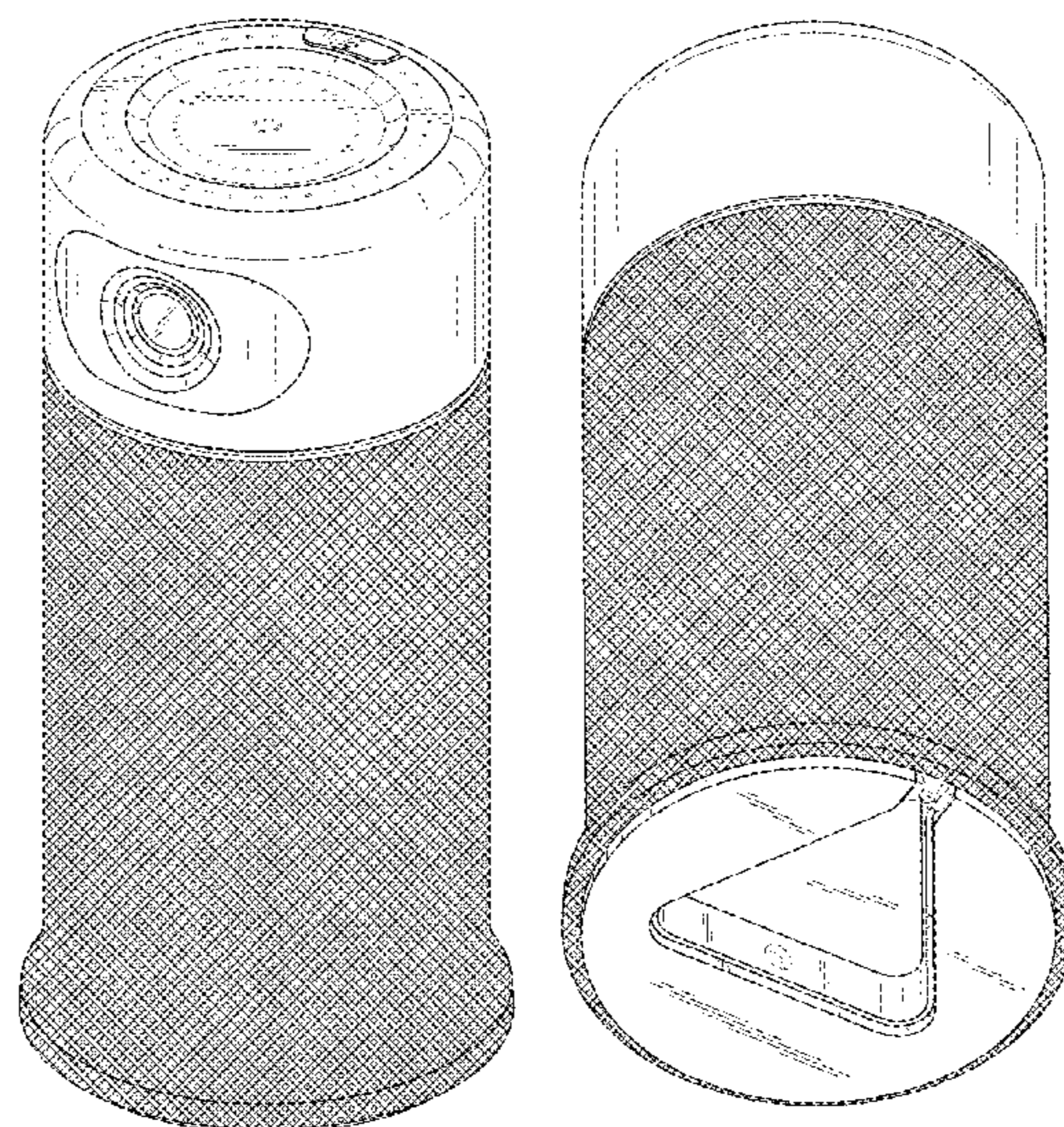
(57) **CLAIM**

An ornamental design for a camera and audio input/output device, as shown and described.

DESCRIPTION

FIG. 1 is a top and front perspective view of a camera and audio input/output device;
 FIG. 2 is a front elevation view thereof;
 FIG. 3 is a rear elevation view thereof;
 FIG. 4 is left side elevation view thereof, the right side elevation view being a mirror image of the left side elevation;
 FIG. 5 is a top plan view thereof;
 FIG. 6 is a bottom plan view thereof;
 FIG. 7 is a bottom and rear perspective view thereof; and,
 FIG. 8 is a top and front perspective view of the camera and audio input/output device shown with illumination, the stippled shading represents an illuminated portion of the design.
 The broken lines depict portions of the camera and audio input/output device in which the design is embodied that form no part of the claimed design. Additionally, the radiating dashed lines emanating from the illuminated portion of the design in FIG. 8 represent illumination.

1 Claim, 7 Drawing Sheets



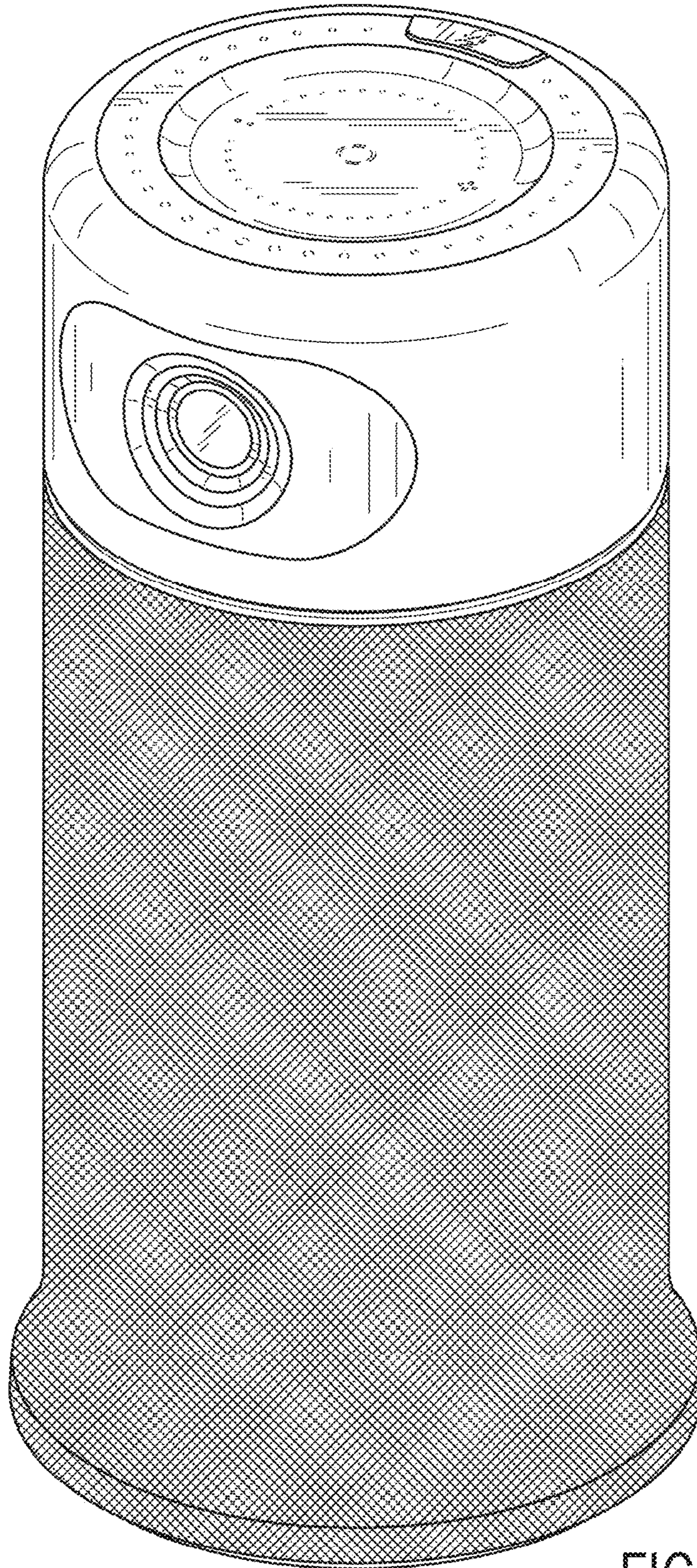


FIG. 1

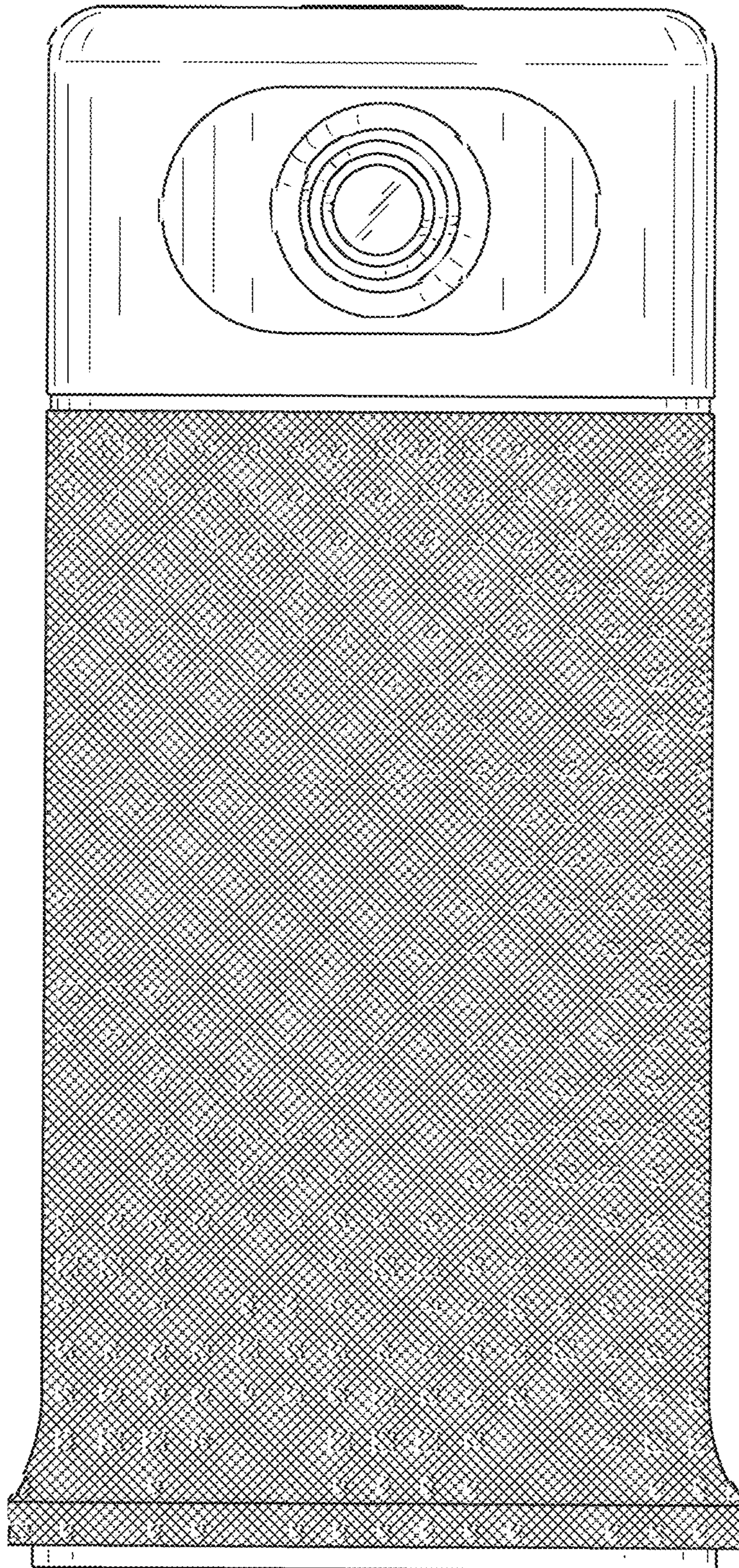


FIG. 2

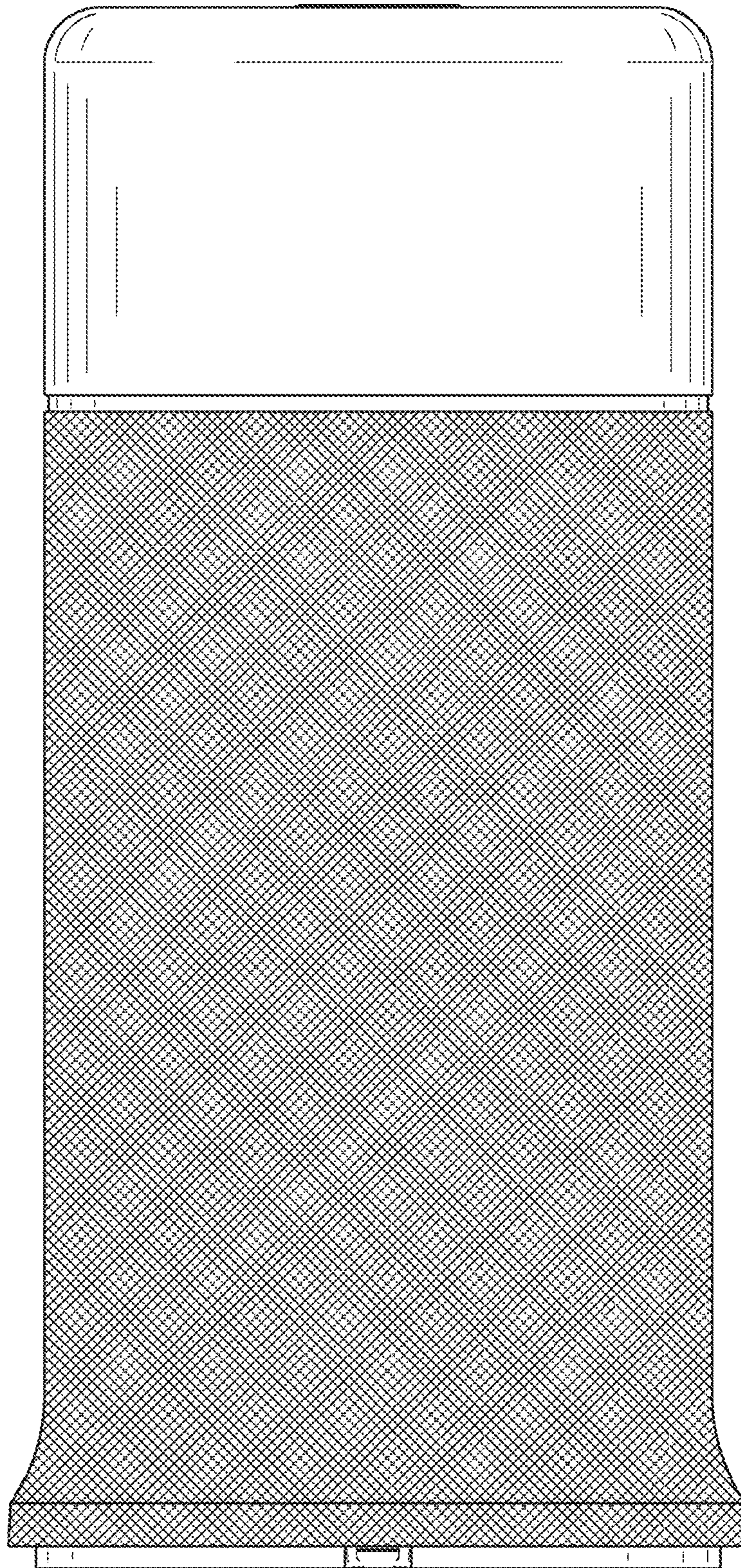


FIG. 3

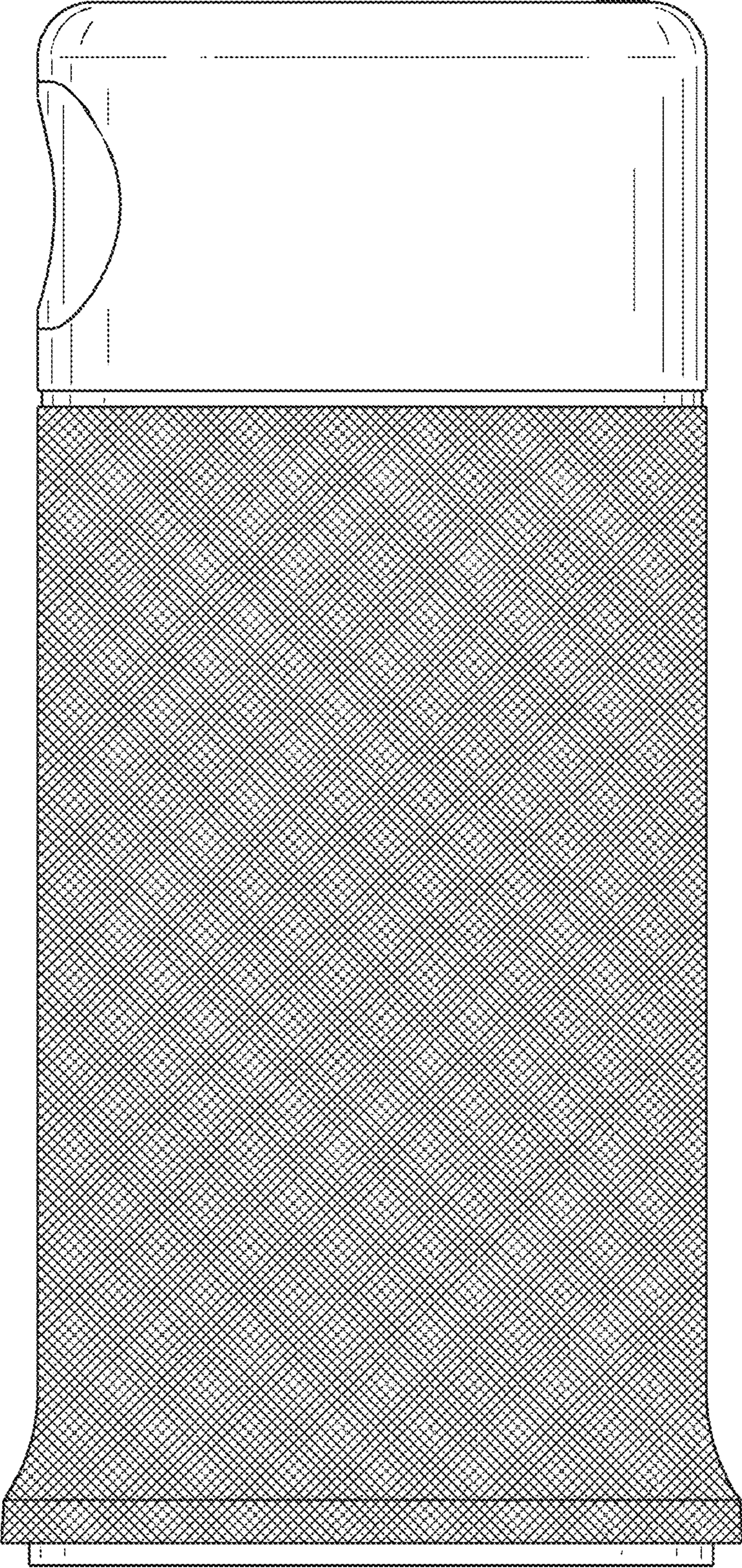


FIG. 4

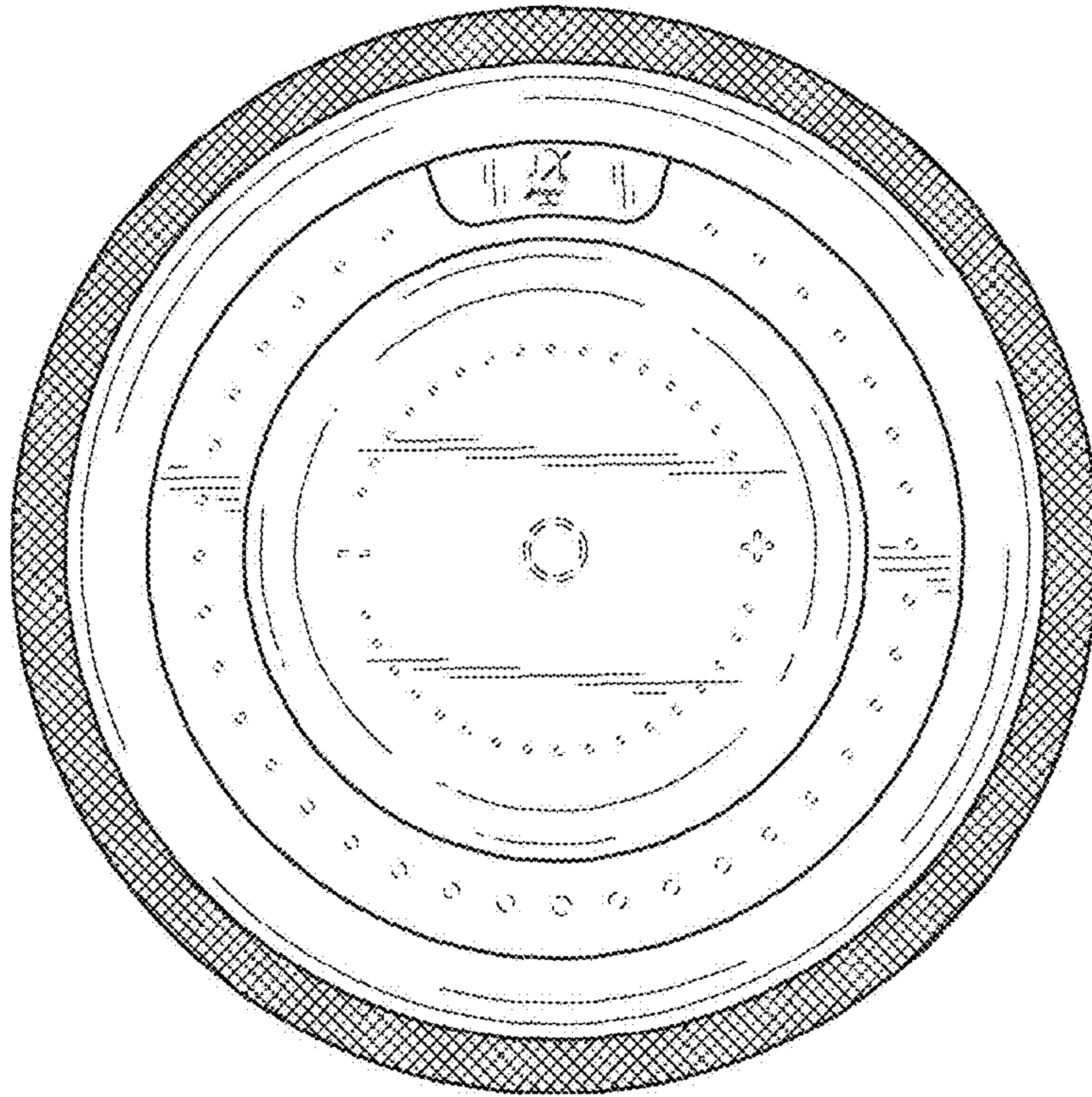


FIG. 5

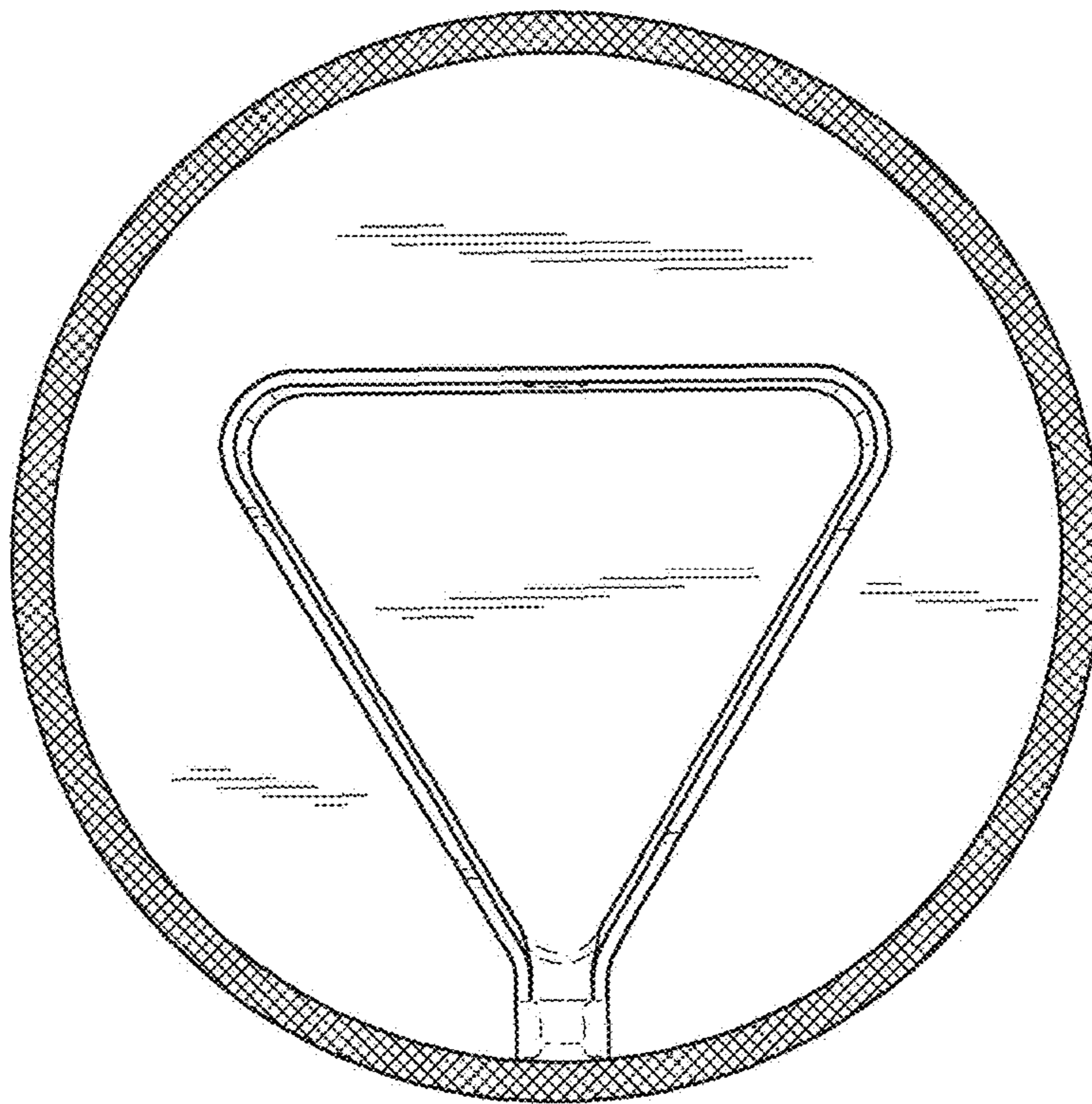


FIG. 6

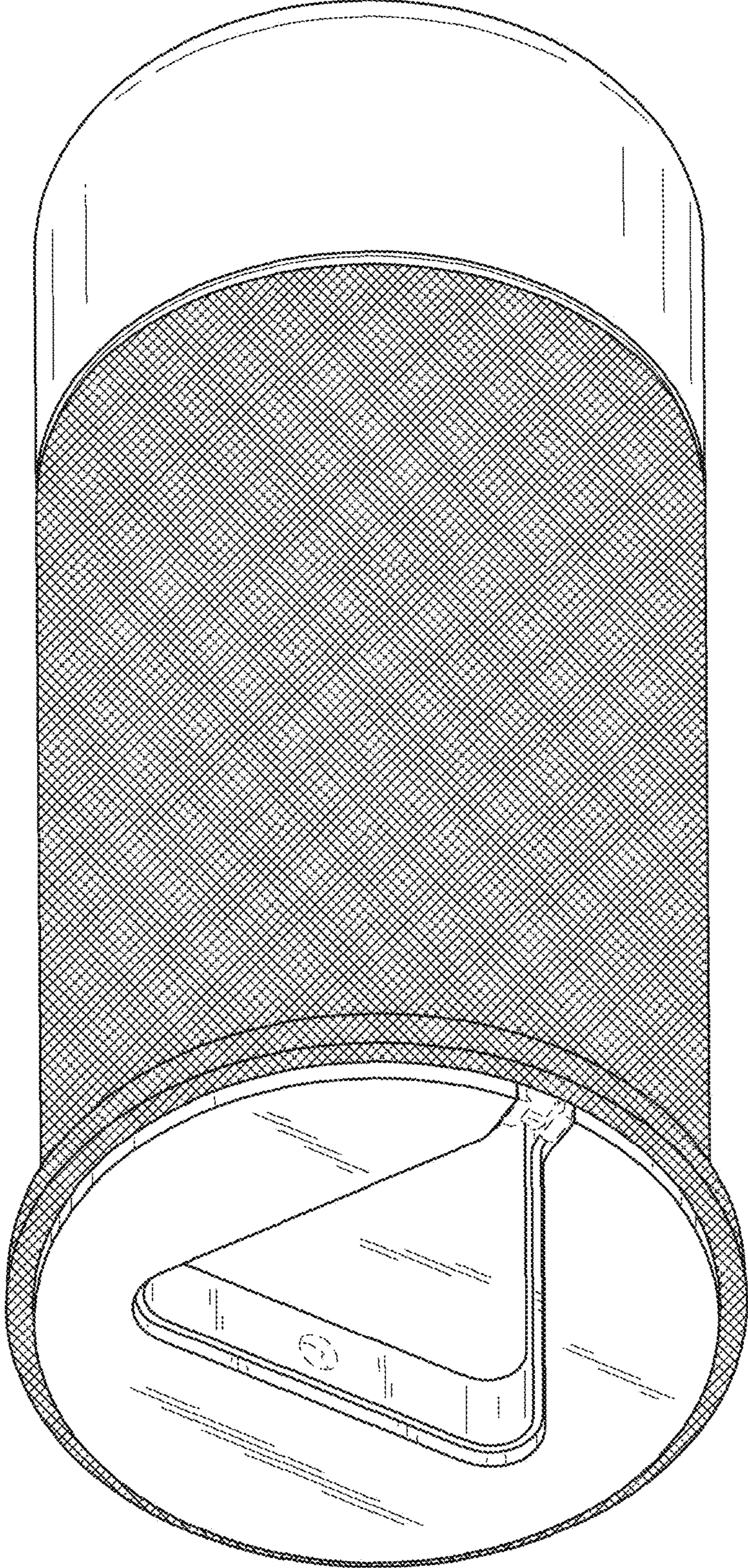


FIG. 7

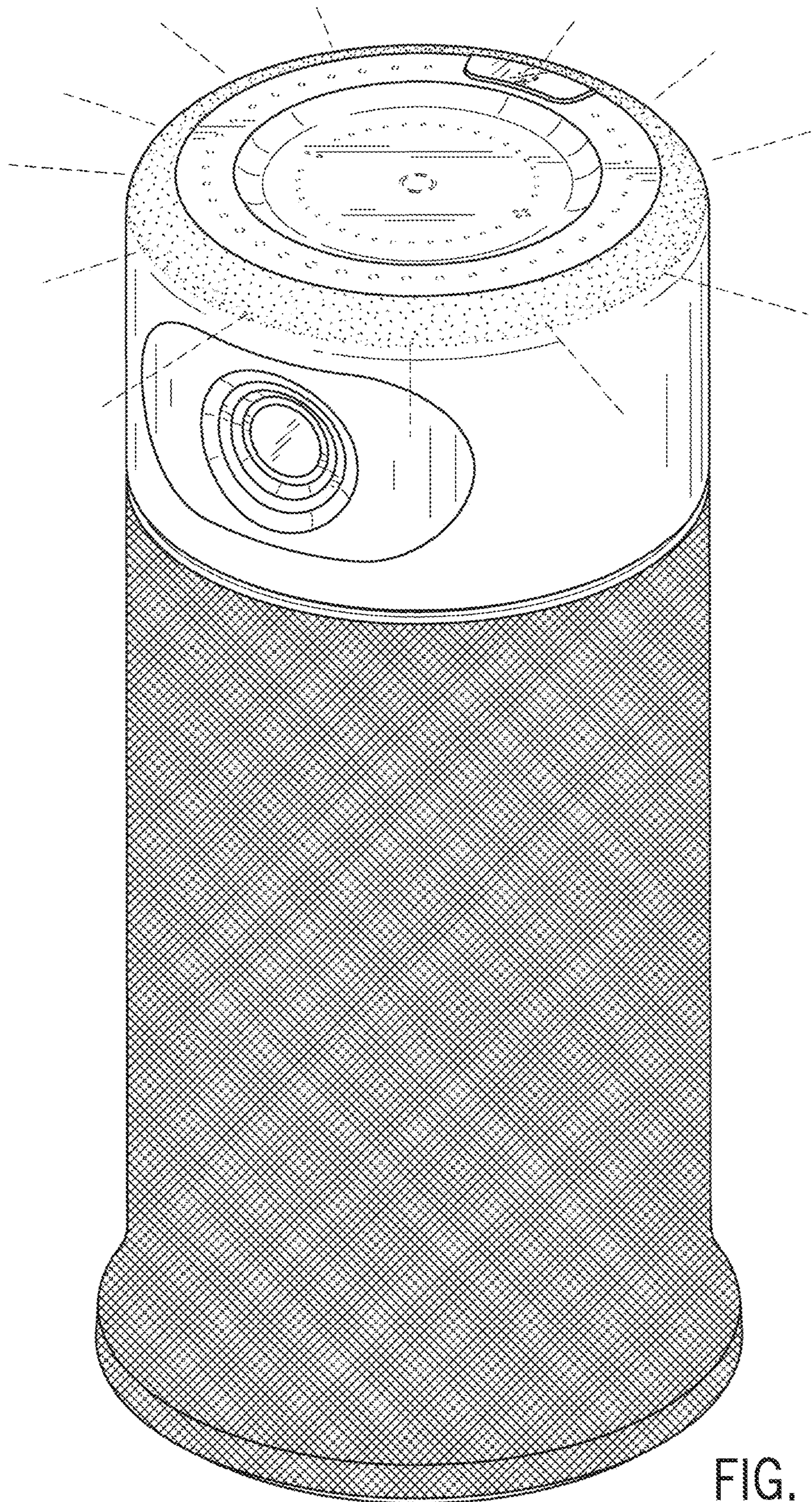


FIG. 8