



US00D918982S

(12) **United States Design Patent**  
**Dan**

(10) **Patent No.:** **US D918,982 S**

(45) **Date of Patent:** **\*\* May 11, 2021**

(54) **WEBCAM**

(71) Applicant: **Zhijie Dan**, Shenzhen (CN)

(72) Inventor: **Zhijie Dan**, Shenzhen (CN)

(\*\*) Term: **15 Years**

(21) Appl. No.: **29/756,535**

(22) Filed: **Oct. 29, 2020**

(51) **LOC (13) Cl.** ..... **16-01**

(52) **U.S. Cl.**  
USPC ..... **D16/202**

(58) **Field of Classification Search**  
USPC ..... D16/200, 202–203, 208, 218, 219, 242;  
248/187.1; 348/14.01–14.6, 143, 148,  
348/151, 373–376; 396/419, 427, 428,  
396/535, 539–541  
CPC ..... G03B 17/02; G03B 19/04; G03B 17/56;  
G03B 17/04; G03B 15/03; H04N  
2101/00; H04N 2007/145; H04N 7/141;  
H04N 7/142; H04N 7/147; H04N 7/148;  
H04N 7/15; H04N 7/152  
See application file for complete search history.

(56) **References Cited**

**U.S. PATENT DOCUMENTS**

D470,875 S \* 2/2003 Liao ..... D16/202  
D478,922 S \* 8/2003 Han ..... D16/202  
D537,095 S \* 2/2007 Alden ..... D16/202  
D552,144 S \* 10/2007 Logan ..... D16/202

D563,446 S \* 3/2008 Stephens ..... D16/202  
D573,622 S \* 7/2008 Fisher ..... D16/202  
D626,580 S 11/2010 Tzeng  
D626,983 S \* 11/2010 Serge ..... D16/202  
D665,439 S 8/2012 Khamsepoor et al.  
D678,929 S \* 3/2013 Hancock ..... D16/203  
D730,966 S \* 6/2015 Liu ..... D16/202  
D741,931 S \* 10/2015 Huang ..... D16/202  
D803,920 S \* 11/2017 Shin ..... D16/203  
D849,088 S \* 5/2019 Lai ..... D16/202  
D850,512 S \* 6/2019 Matsumoto ..... D16/218

\* cited by examiner

*Primary Examiner* — Ramzi S Almatrahi  
(74) *Attorney, Agent, or Firm* — W&K IP

(57) **CLAIM**

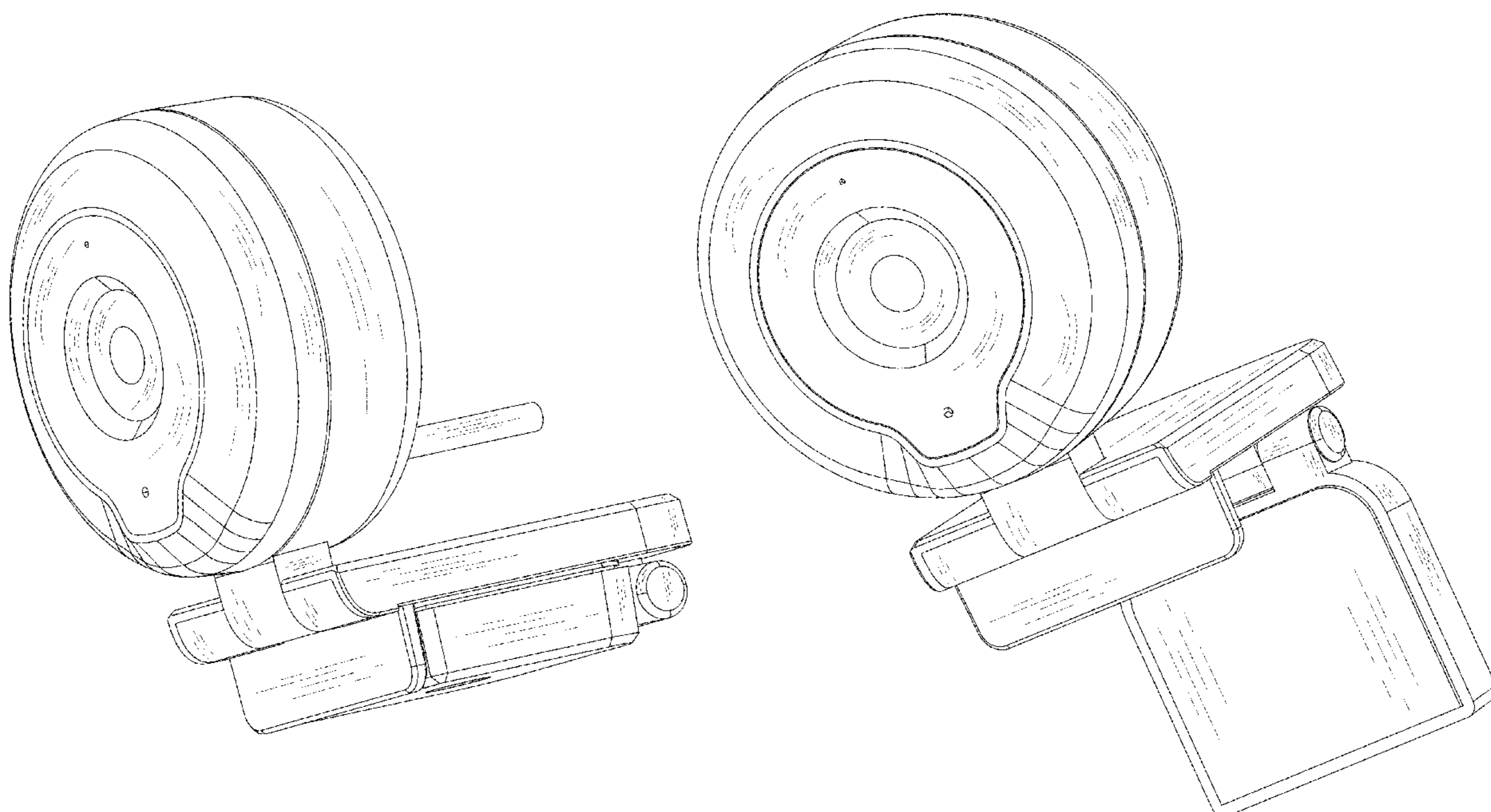
The ornamental design for a webcam, as shown and described.

**DESCRIPTION**

FIG. 1 is a bottom perspective view of a webcam showing my new design;  
FIG. 2 is a front view thereof;  
FIG. 3 is a rear view thereof;  
FIG. 4 is a left side view thereof;  
FIG. 5 is a right side view thereof;  
FIG. 6 is a top plan view thereof;  
FIG. 7 is a bottom plan view thereof; and,  
FIG. 8 is a bottom perspective view thereof, shown in an open configuration.

The broken lines depict portions of the webcam in which the design is embodied that form no part of the claimed design.

**1 Claim, 8 Drawing Sheets**



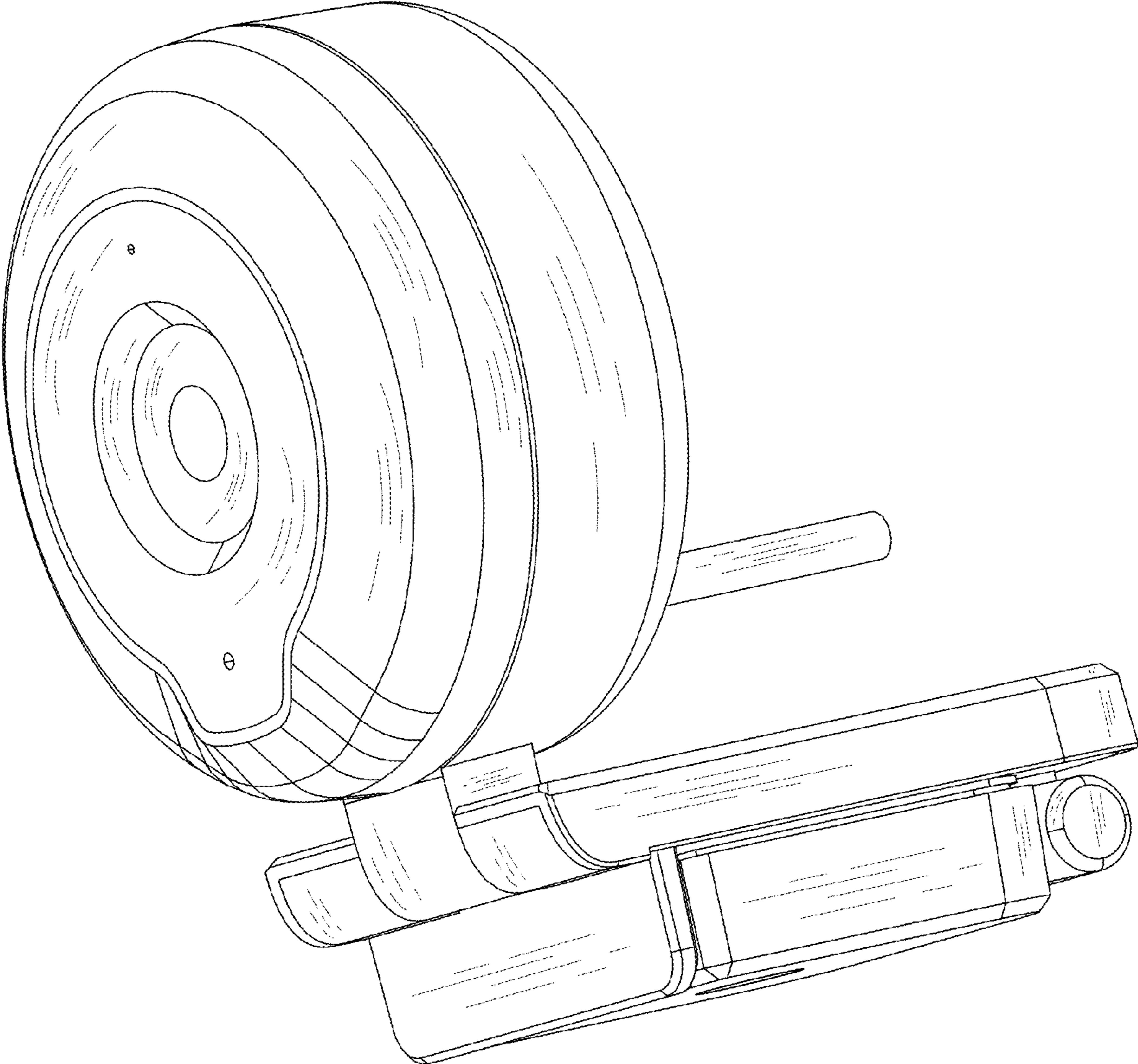


FIG.1

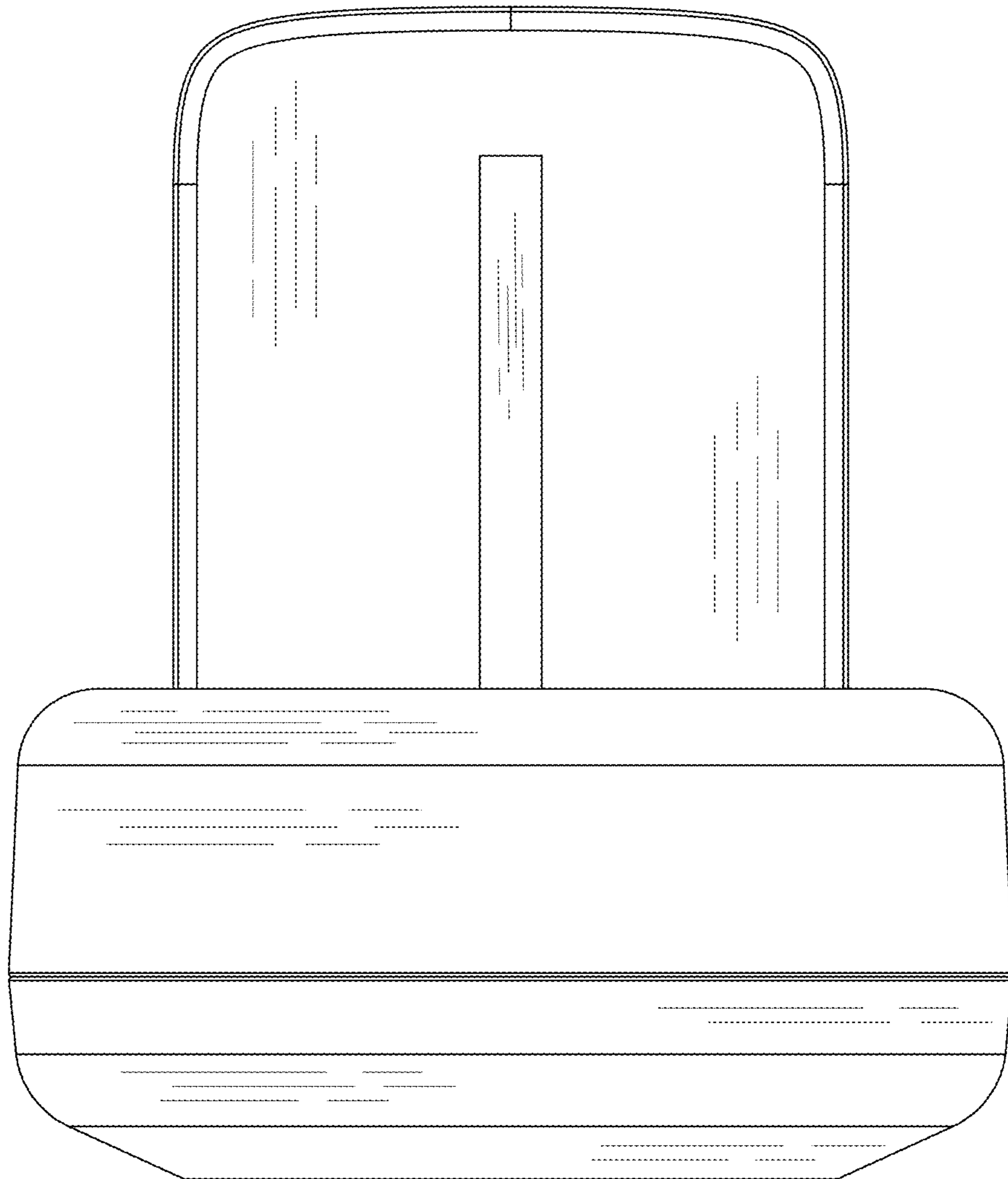


FIG.2

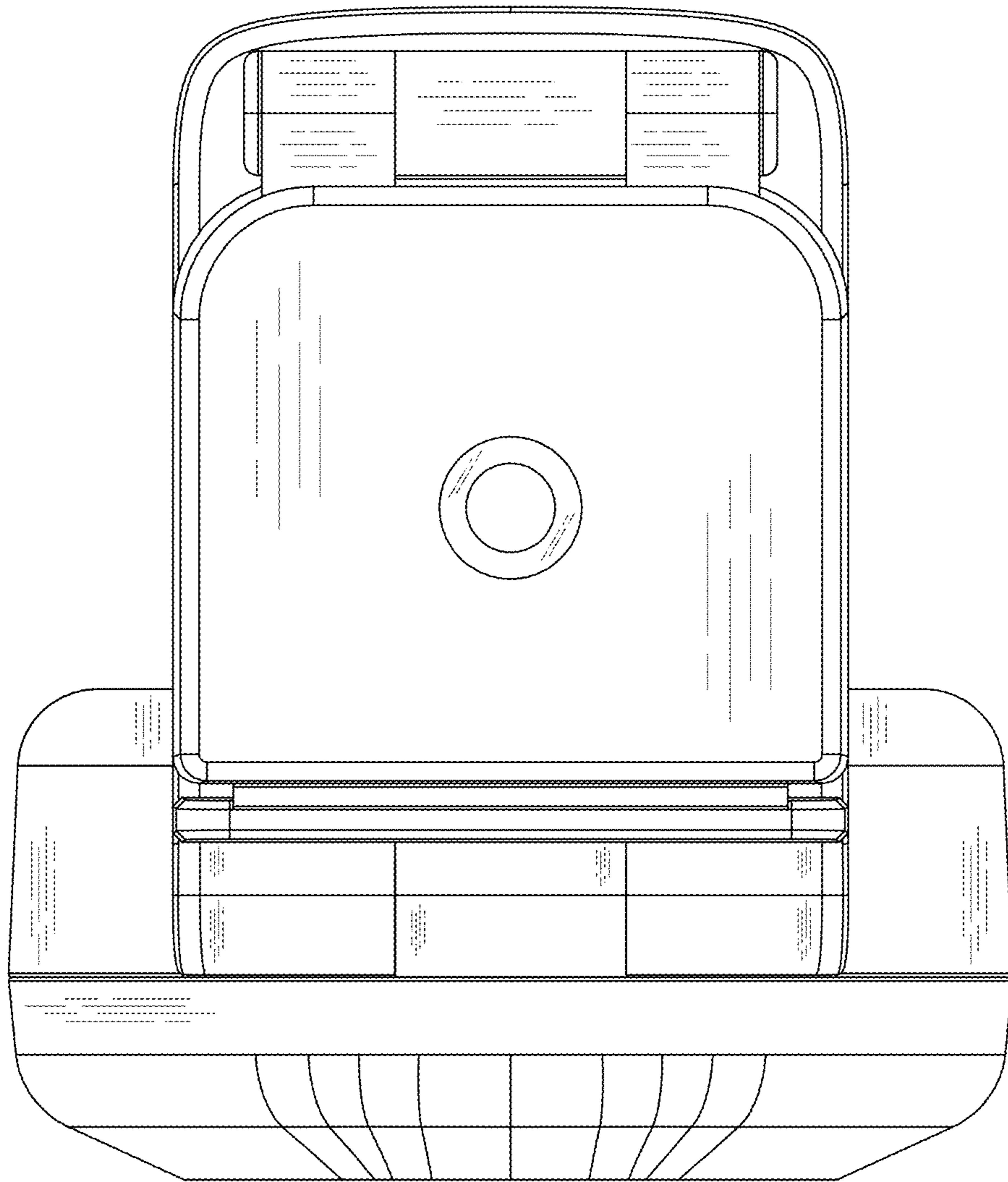


FIG.3

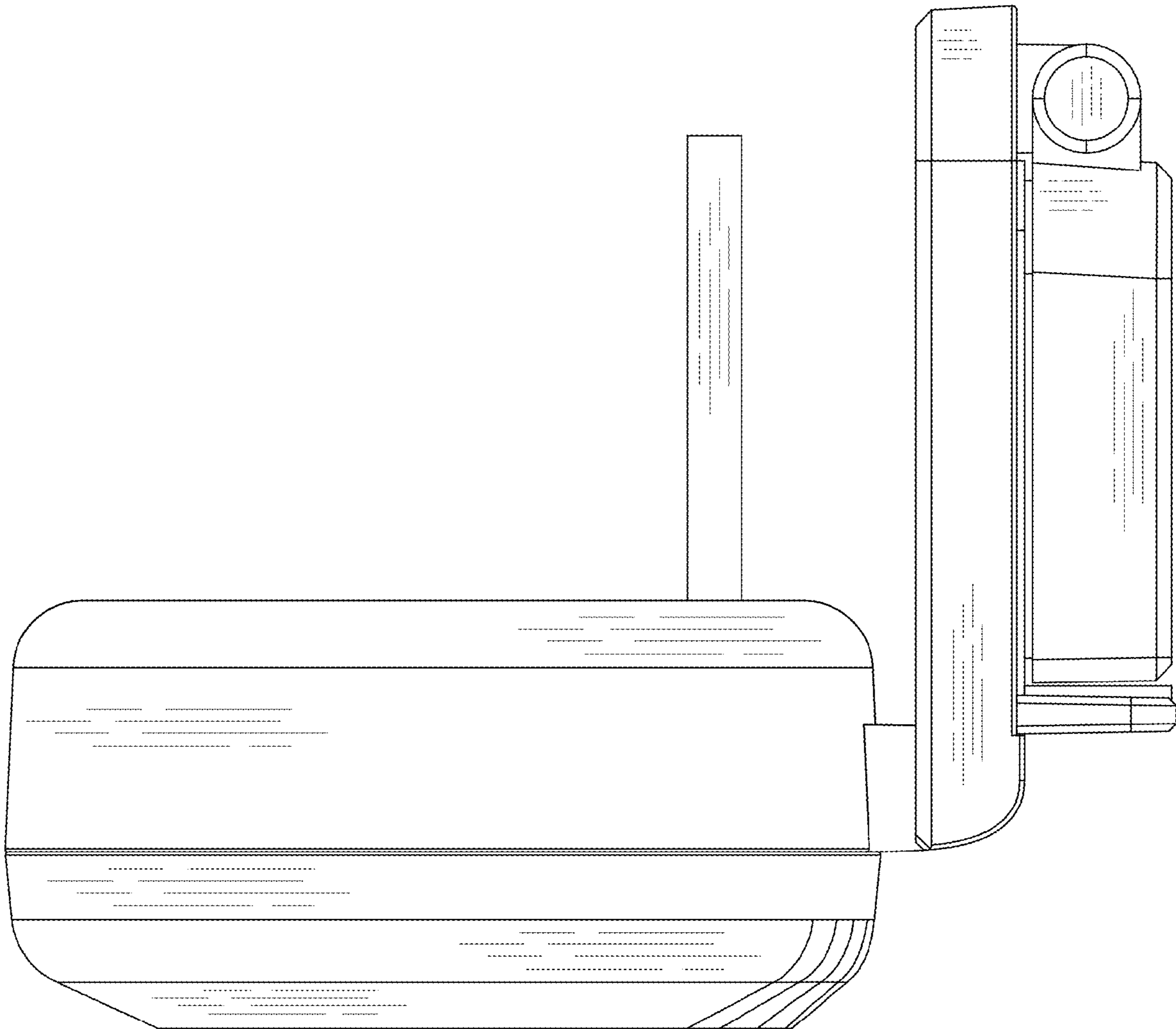


FIG.4

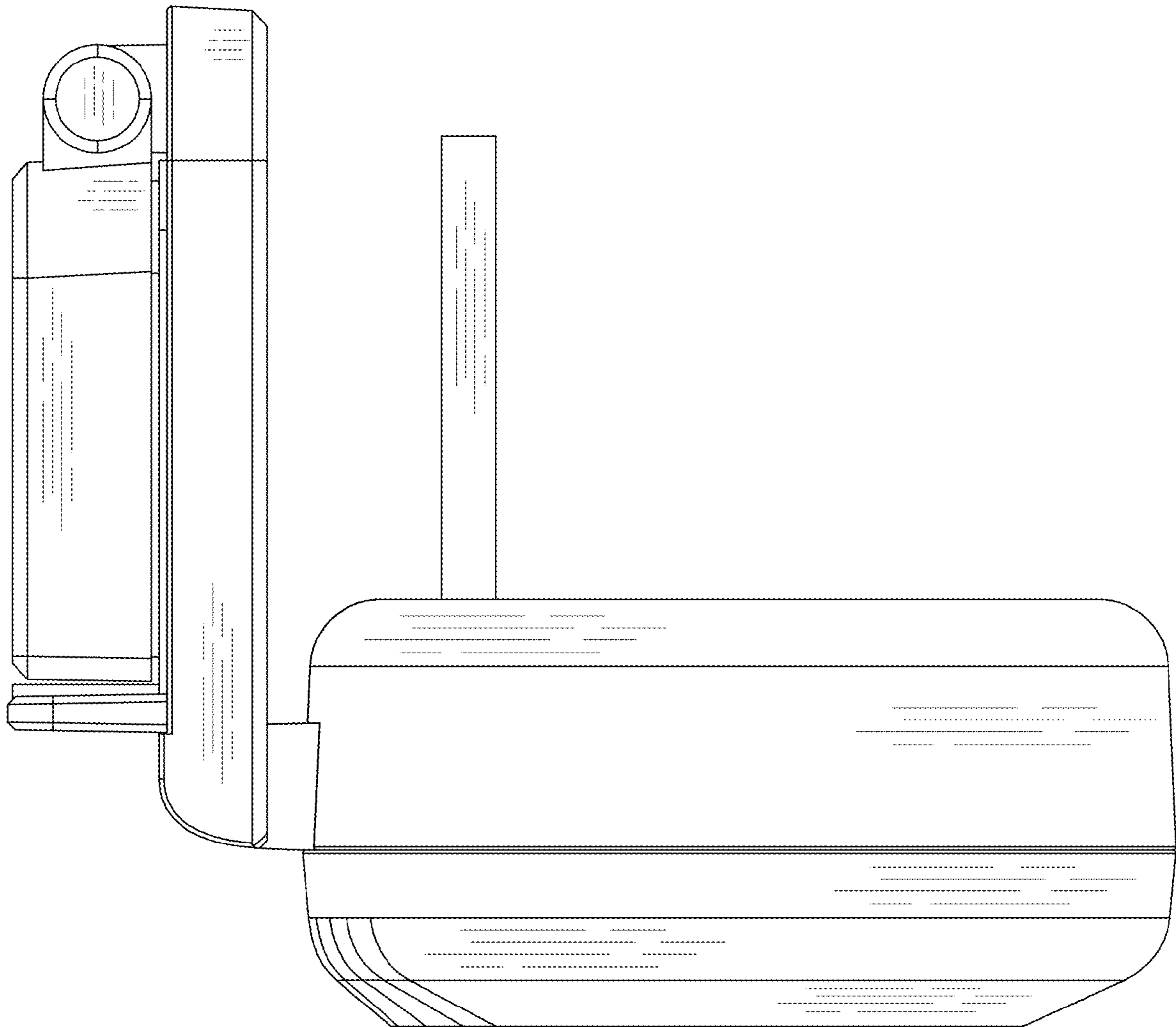


FIG.5

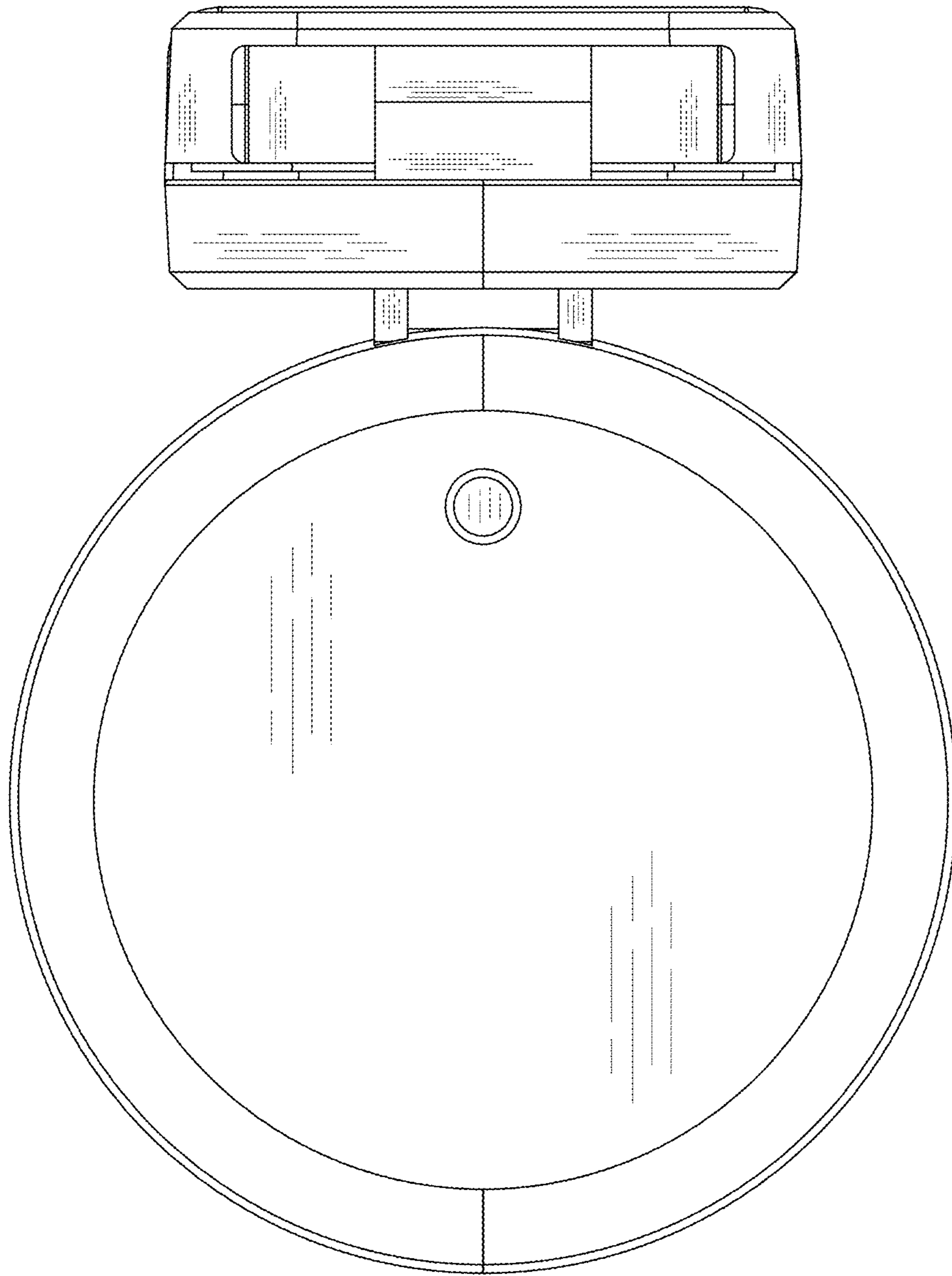


FIG.6

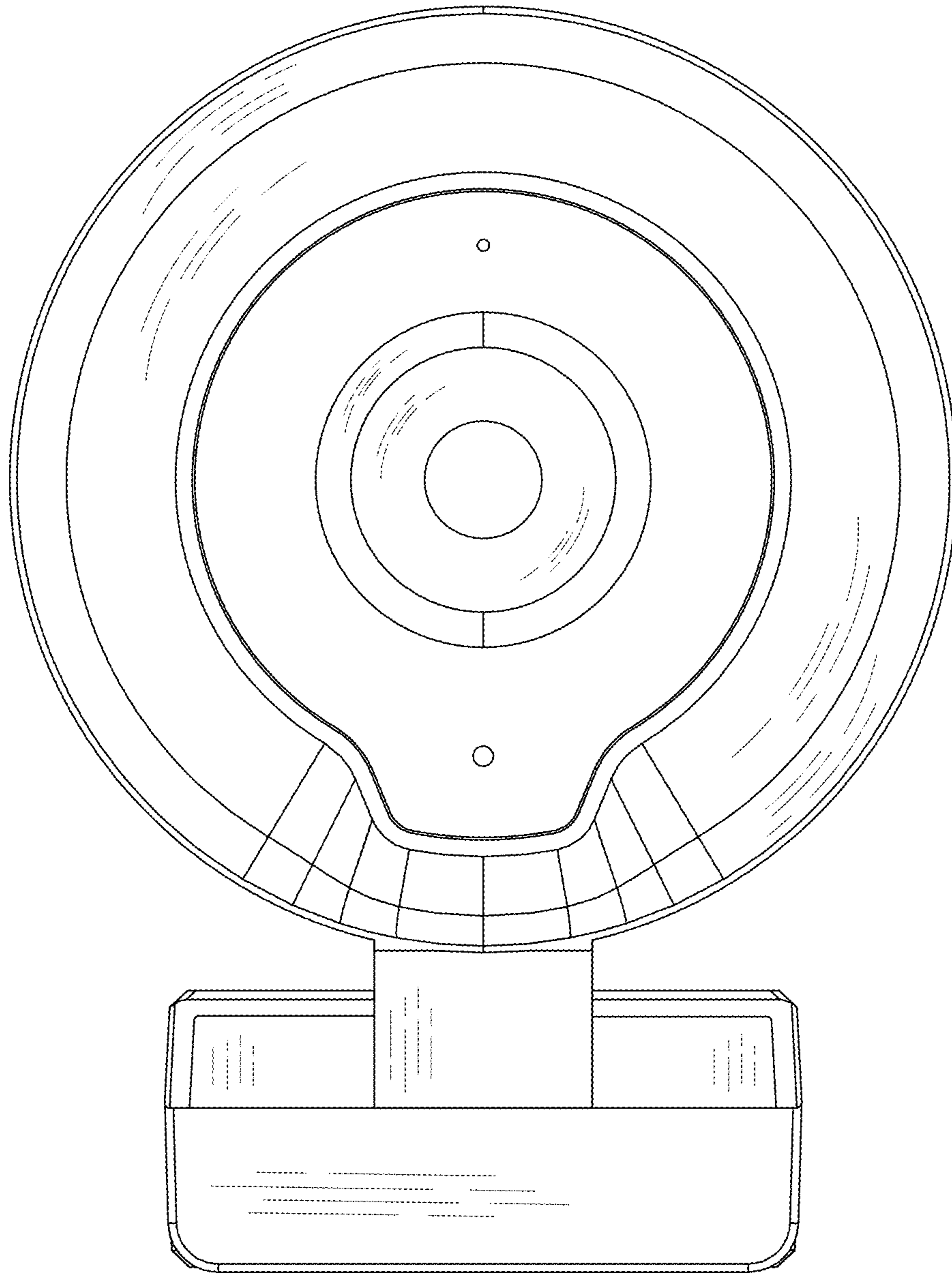


FIG. 7



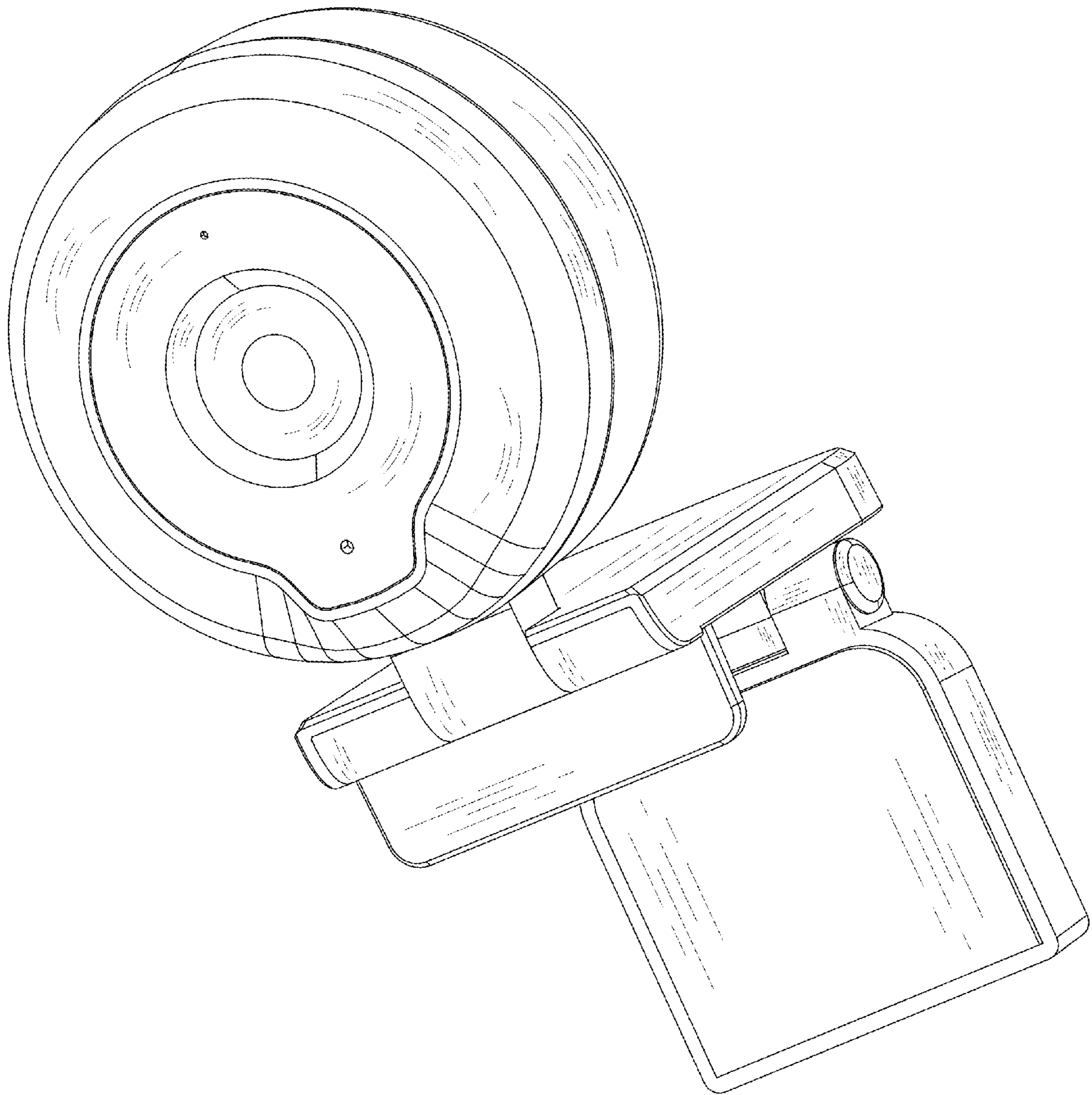


FIG.8